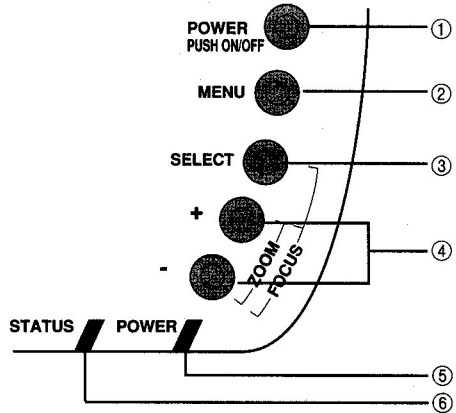


Top Features

1. **Power Button** Use this button to turn the power on and off when Main Power Switch is on and the LCD projector is on standby. (When this button is pressed and held for at least two seconds, the "Display Mute" mode will be canceled.)
2. **Menu Button** Displays the icons you need to select a source or adjust your image.
3. **Select Button** After you press the "Menu" button, use this button to select the menu icon of the item you wish to adjust. (If the icons don't appear after you press the "Menu" button, hold down the "Select" button while using the (+) (-) focus button to adjust the image up or down until the icons do appear.)
4. **(+) (-) Zoom/Focus Buttons**
 - a. Use these buttons to increase or decrease the level of a selected menu item. An on-screen gauge will appear to show you how the level is changing. These buttons also turn a selected menu item on (+) or off (-).
 - b. **Zoom:** Hold down the "Zoom" button while you press the (+) button to make the image larger; or press (-) to make the image smaller.
 - c. **Focus:** Hold down the "Select" button while you press the (+) or (-) buttons to focus an image.
5. **Power Indicator** When this indicator is green, the LCD projector is on; when the indicator is amber, it is standing by.
6. **Status Indicator** When this is lit red continually, it's warning you that the projection lamp has exceed 2000 hours of service. After this light appears, it is advisable to replace the projection lamp as soon as possible. (See page 41.)



17

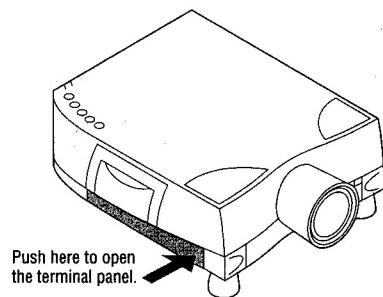
If this light blinks red rapidly, it indicates that either the lamp cover or filter cover is not attached properly. It may also indicate that the projector's internal temperature is too high to operate safely. In either case, the projector will not work until the situation is corrected.

Terminal Panel Features

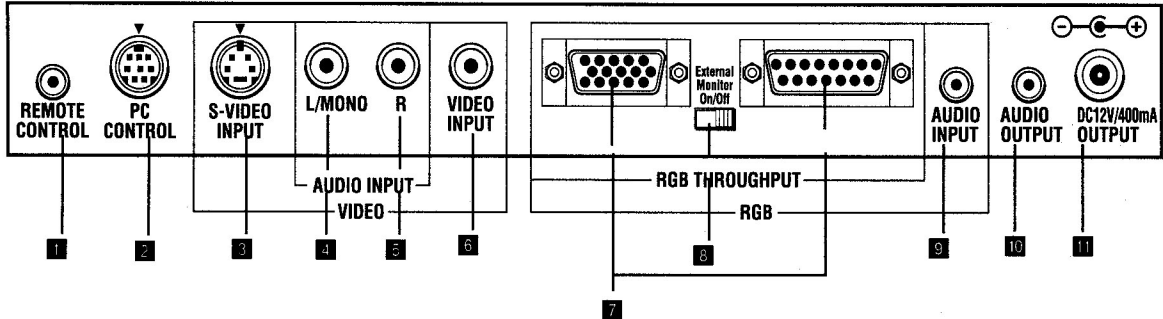
This panel is located below the projector's handle and is where you connect your cables. To gain access, push on the upper right hand corner of the panel door.

1. **Remote Control Jack** Connect your remote control cable here.
2. **PC Control Connector** Use this jack to connect your PC to control the MultiSync MT800 Projector. This allows you to utilize your PC and serial communication protocol to control the projector. If you are writing your own program, refer to page 59 for command references.
3. **S-Video Input** Here is where you connect S-Video input from an external source like a VCR.

NOTE: S-Video format provides more vivid color and higher resolution than the traditional composite video format.



4. **Left Channel/Mono Audio Input Jack** This is your left channel audio input for stereo sound coming from video equipment or audio system. It also serves as the mono audio input for S-Video input.
5. **Right Channel Audio Input Jack** This is your right channel audio input for stereo sound.
6. **Video Input** Connect a VCR or laser disk player here to project the video.
7. **RGB-Input/Through-Put Connectors** Attach either end of the MultiCable to computer or document camera, and then attach the other end to either of these two connectors. You can then use the remaining connector, if you wish, to output the video signal to a monitor. (If you do use a second monitor, turn the monitor switch to "on.") Either connector can be used for input or output, however they cannot both be used for input simultaneously. It can damage your computer.



8. **External Monitor Select Switch** This switch should be "off" for normal use without external termination or when your RGB signal should be terminated with 75Ω. Switch to the "On" position when you have a monitor attached to your RGB through-put connector.
9. **RGB Audio Input Mini Jack** This is where you connect RGB audio output from a computer or another RGB source.
10. **Audio Output Mini Jack** Connect additional external speakers here to listen to RGB sound coming from your computer.
11. **12V DC Output Terminal** Use this terminal to power a notebook computer or other 12V accessory.

NOTE: When using two video sources simultaneously, the Left Audio Input Terminal should be used for the S-Video source and the Right Audio Input Terminal should be used for the composite video source.

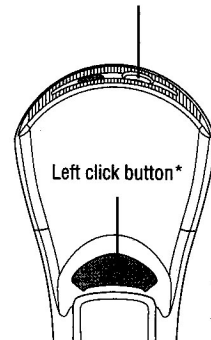
Remote Control Features

You can use your remote control with the cable or wirelessly to operate your MultiSync MT800 LCD Projector. With the IR receiver connected to your computer, you can also use the projector's remote control to operate your computer's mouse wirelessly, too. (See page 27 to connect the IR receiver to your computer.)

If you want to use your remote control with the cable, connect one end of the cable to the jack on the remote control and the other end to the Terminal Panel.

1. **Mouse Button** Works as a mouse for your projected computer image. This button is also used to adjust position, zoom and focus.
2. **Position Button** When you're in the 2X or 4X mode, hold this button down and adjust the picture position up and down or left and right with the mouse button.
3. **Zoom Button** Hold this button down and adjust the picture size (zoom in or out) with the mouse button.
4. **Focus Button** Hold this button down and adjust the focus with the mouse button.
5. **2X/4X Button** Pressing this button will enable you to toggle between a standard image, a double-sized (2X) image and a quadrupled image (4X).
6. **RGB Button** Press to select an RGB video source from a computer or document camera.
7. **S-Video Button** Press to select an S-Video source from a VCR.
8. **Video Button** Press to select an NTSC, PAL, SECAM or M-NTSC compatible video source from a VCR or laser disc player.
9. **Freeze Button** This button will freeze a picture.
10. **Menu Button** Use this button to call up the menu of icons to adjust and set the image.
11. **Select Button** Make your on-screen menu selections for adjusting and setting the image with this button. (See page 35.)

Remote Jack
Insert the supplied
remote cable here.



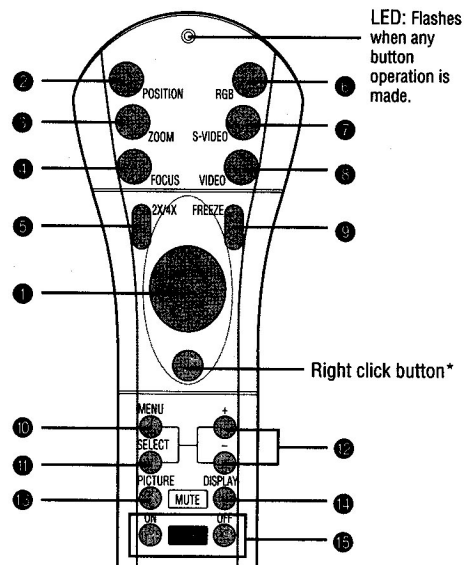
21

12. **(+) (-) Buttons** After you make your on-screen menu selection use this button to adjust the level up or down. (See page 35.)
13. **Picture Mute Button** This button turns off the image for a short period of time.
14. **Display Mute Button** This button will turn off the on-screen icon menu bar.
15. **Power On And Off** If your main power switch is turned on, you can use this button to turn your MultiSync MT800 LCD Projector on and off.

**NOTE: If you are using a Macintosh computer, you can click either the right or left button to activate the mouse.*

Remote Control Precautions

- When using the remote wirelessly, you should be within 23 feet (7 meters) of the LCD projector and at an angle of no more than 30°.
- When the cable is connected to the remote control, it will not work wirelessly.
- Handle the remote control carefully.
- If the remote control gets wet, wipe it dry immediately.
- Avoid excessive heat and humidity.
- If you will not be using the remote control for a long time, remove the batteries.
- Do not mix new and old or different types of batteries.



2 INSTALLATION

This section describes how to set up your MultiSync MT800 LCD projector and how to connect video and audio sources.

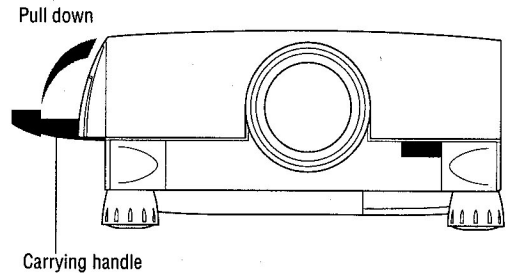
Setting Up Your MultiSync MT800 LCD Projector

Your MultiSync MT800 LCD Projector is simple to set up and use. But before you get started, you must first:

1. Determine the image size.
2. Set up a screen or select a non-glossy white wall onto which you can project your image.

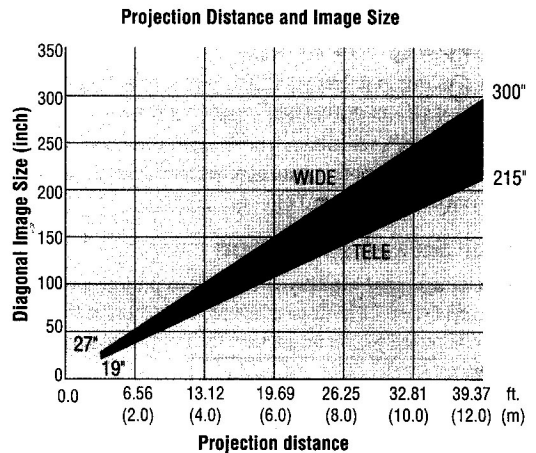
Carrying The LCD Projector Always carry your LCD projector by the handle. Ensure that the power cord and any other cables connecting to video sources are disconnected before moving the projector. When moving the projector or when it is not in use, cover the lens with the lens cap.

Selecting A Location The further your LCD projector is from the screen or wall, the larger the image. The minimum size the image can be is approximately 20" (0.5m) measured diagonally when the projector is roughly 3.28 feet (1.0m) from the wall or screen. The largest the image can be projected is 300" (7.6m) when the projector is about 39 feet (12m) from the wall or screen.



Using A Tabletop Or Cart

1. Place your LCD projector on a flat level surface at the optimal distance from the screen or wall so you realize the size image you want. (Avoid having bright room lighting or sun light directly on the screen or wall where you'll be projecting the image.)
2. Connect the power cable, remove the lens cap and turn the projector on. (If no input signal is available, the projector will display a black screen.)
3. Ensure that the projector is square to the screen.
4. Move the projector left or right to center the image horizontally on the screen.
5. To center the image vertically, lift the front edge of the projector and press the buttons on the sides of the projector, just above the feet, to release the one-touch tilt feet.
6. To fine tune the image's position vertically on the screen, rotate each front foot. (There is approximately 7° of up and down adjustment for the front of the projector.)
7. Increase or reduce the size of the projected image by pressing the "Zoom" and (+) or (-) buttons on the remote control.



⚠ WARNING

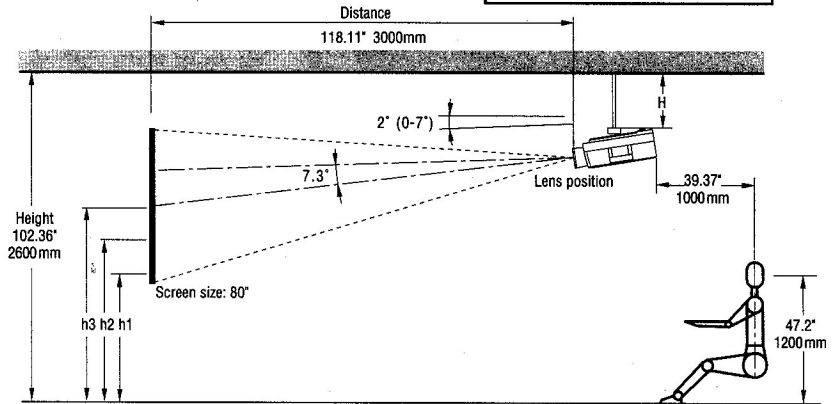
- Only use your LCD projector on a solid, level surface. If the projector falls to the ground, you can be injured and the projector severely damaged.
- Do not use the LCD projector where temperatures vary greatly. The projector must be used at temperatures between 32°F (0°C) and 104°F (40°C).
- Do not expose the LCD projector to moisture, dust, or smoke. This will harm the screen image.
- Ensure that you have adequate ventilation around your LCD projector so heat can dissipate. Do not cover the vents on the bottom or back of the projector.

$h1 = 49.21'' (1250 \text{ mm})$	$H = 29.53'' (750 \text{ mm})$
$h2 = 59.06'' (1500 \text{ mm})$	$H = 19.69'' (500 \text{ mm})$
$h3 = 68.90'' (1750 \text{ mm})$	$H = 9.84'' (250 \text{ mm})$
H = Distance between the projector bottom and the ceiling	
h = Distance between the screen center and the floor	

Ceiling Installation

Installing your MultiSync MT800 LCD Projector on the ceiling must be done by a qualified technician. Contact your NEC dealer for more information.

Do not attempt to install the projector yourself.

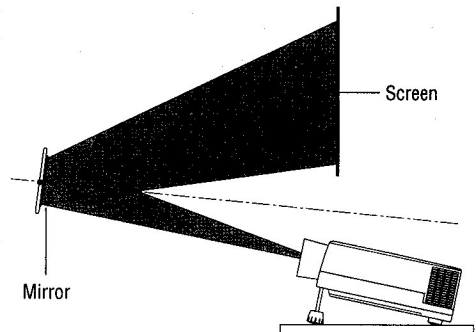


If your projector is mounted on the ceiling and your image is upside down, use the "Menu" and "Select" buttons on your remote control or projector cabinet to access the icons that will correct the orientation. (See page 39.)

Reflecting The Image

Using a mirror to reflect your LCD projector's image enables you to enjoy a much larger image. Contact your NEC dealer if you need a mirror.

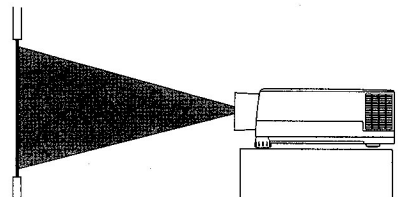
If you're using a mirror and your image is inverted, use the "Menu" and "Select" buttons on your remote control or projector cabinet to access the icons that will correct the orientation. (See page 39.)



Rear Screen Projection

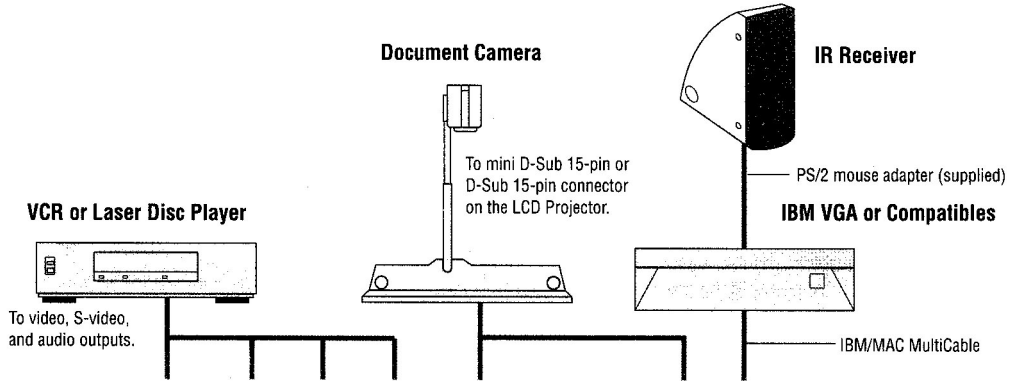
You can use your MultiSync MT800 to project an image from the rear onto a transparent screen. The distance the projector must be from the screen is the same as if you were projecting the image from the front. Contact your NEC dealer if you need a transparent screen.

If you're projecting the image from the rear and your image is inverted, use the "Menu" and "Select" buttons on your remote control or projector cabinet to access the installation icons that will correct the image. (See page 39.)

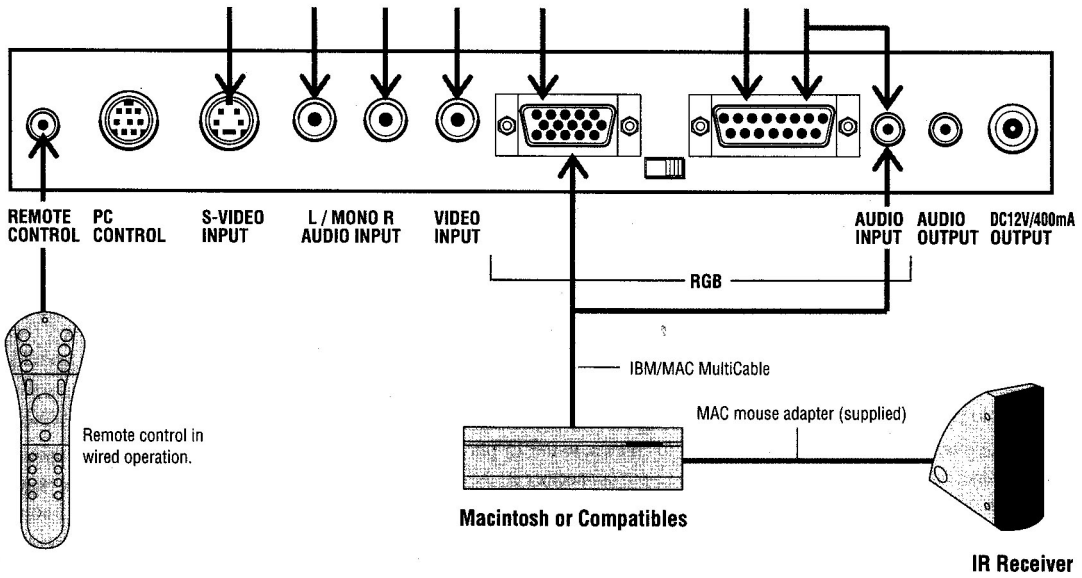


Wiring Diagram

NOTE: The two D-Sub 15-pin connectors here can be used to either input or output video to or from a PC or Macintosh computer. Either connector can be used for input or output, however they cannot both be used for input simultaneously. It can damage your computer.



27



28

Connecting Your PC Or Macintosh Computer

Connecting your PC or Macintosh computer to your MultiSync MT800 LCD Projector will enable you to project your computer's screen image for an impressive presentation. All of these following display standards are supported:

VGA 640×480 for graphics, VGA 640×400 for graphics, VGA 640×350 for graphics, VGA 720×400 for text, VGA 720×350 for text, SuperVGA 800×600, Macintosh at 640×480, and Macintosh 832×624.

To connect to a PC, Macintosh or computer equipped with a SuperVGA /VGA adapter or compatible graphics adapter, simply:

1. Turn off the power to your LCD projector and computer.
2. If your PC does not support SuperVGA /VGA you will need to install a SuperVGA /VGA graphics board. Consult your computer's owner's manual for your SuperVGA /VGA configuration. If you need to install a new board, see the manual that comes with your new graphics board for installation instructions.
3. Use the supplied MultiCable to connect your computer to the LCD projector. For a PC, use the smaller 15-pin connector on the cable to connect to your computer's video port; use the larger 15-pin connector on the cable to connect to the projector. For Macintosh, it's just the opposite. Use the larger 15-pin connector on the cable to connect to your computer's video port; use the smaller 15-pin connector on the

29

cable to connect to the projector. (You can also use your own video cable if you wish. For a PC cable, use the smaller 15-pin connector on the projector. For a Macintosh cable, use the larger 15-pin connector on the projector.)

4. Turn on the LCD projector and the computer.

NOTE: Refer to your computer's owner's manual for more information about your computer's video output requirements and any special identification or configuring your projector's image and monitor may require.

Connecting Your Document Camera

You can connect your MultiSync MT800 LCD Projector to a document camera. To do so, simply:

1. Turn off the power to your LCD projector and document camera.
2. Use the MultiCable provided or a standard video cable to connect to the 15-pin connector on your document camera to either of the two 15-pin connectors on the projector.
3. Turn on the LCD projector and the document camera.

NOTE: Refer to your document camera's owner's manual for more information about your camera's video output requirements .

Connecting Your VCR Or Laser Disc Player

You use a common coaxial cable and RCA audio cables (not provided) to connect your VCR or laser disc player to your MultiSync MT800 LCD Projector. To make these connections, simply:

1. Turn off the power to your LCD projector and VCR or laser disc player.
2. Connect one end of your coaxial video cable to the video output connector on the back of your VCR or laser disc player, connect the other end to your projector. Use standard RCA audio patch cords to connect the audio from your VCR or laser disc player to your projector (if your VCR or laser disc player has this capability). Be careful to keep your right and left channel connections correct for stereo sound.
3. Turn on the LCD projector and the VCR or laser disc player.

NOTE: Refer to your VCR or laser disc player owner's manual for more information about your equipment's video output requirements.

Connecting An External Monitor

You can connect a separate, external monitor to your LCD projector to simultaneously view on a monitor the image you're projecting. To do so:

1. Turn off the power to your LCD projector and computer, document camera or video source.
2. Use a 15-pin cable to connect your monitor to either available 15-pin connector on your LCD projector.
3. Turn the External Monitor Select Switch on the Terminal Panel to "on."
4. Turn on the LCD projector and the computer, document camera or video source.

Connecting Your IR Mouse Receiver

The IR Receiver enables you to operate your computer's mouse functions from the NEC MultiSync MT800 remote control. It is a great convenience for clicking through your computer-generated presentations.

To connect the IR Receiver:

1. Turn off your computer.
2. **For PCs:** Remove your current mouse and connect the serial cable from the IR Receiver to your PC's mouse port. (Use the 6-pin adapter for connecting to a PS/2 computer.)

For Macintosh: Remove your current mouse from your computer, attach the Macintosh adapter to the IR Receiver's serial cable, and connect the receiver to your mouse port.

Remote Control Guideline

1. Plug the infrared remote control unit into your mouse port and restart your computer to gain remote mouse control.
2. When using the remote control's built-in infrared mouse on a laptop computer, the laptop's mouse (including trackball or trackpad) will be disabled. Disconnecting the infrared receiver from the laptop prior to shut down will disable all mouse functions. Disconnect the infrared receiver and restart your computer to regain trackball or trackpad mouse control.
3. If the screen goes blank while using your remote control, it may be the result of screen-saver or power management software. If you accidentally hit the OFF button on the remote control, wait one full minute and then press the ON button to resume.

3 OPERATION

This section describes how to select a computer or video source and how to adjust the picture and sound.

General Controls Before you turn on your MultiSync MT800 LCD Projector ensure that the computer or video source is turned on and that your lens cap is removed.

1. **Turn On The LCD Projector** The main power switch is on the back panel of the MultiSync MT800 LCD Projector. By turning this switch on, the projector will go into its standby mode and the power light will glow amber. Only after you press the "On" button on the remote control or projector cabinet will the power light turn to green and the projector become ready to use.

NOTE: To turn the LCD projector on and off with just the back panel switch, use the menu and enable the "auto start" feature. (See page 38.)

2. **Select The Computer Or Video Source** Press the "Video" (VCR or laser disc player), "S-video", or "RGB" (computer or document camera) button on the remote control to display the image. Or press the "Menu" button on the cabinet and use the icons to select your video source: "Video," "S-Video" or "RGB."

3. **Adjust The Image Size** Hold down the "Zoom" button on the remote control while pressing the left or right side of the mouse pad to make the image larger or smaller. You can also adjust the image size by holding down the "Menu" button on the projector cabinet and pressing the (+) or (-) button.
4. **Focus** Hold down the "Focus" button on the remote control while pressing the left or right side of the mouse pad to focus the image. You can also focus the image by holding down the "Select" button on the projector cabinet and pressing the (+) or (-) button.
5. **Turning Off The Projector** First press the "off" button on the remote control or the projector cabinet. The power light will glow amber. Allow the fan to cool the projector for a few minutes. This will extend the life of the lamp. Then turn off the main power switch on the back panel. The power light will go out.

IMPORTANT:

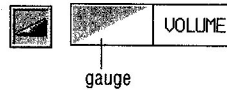
- The LCD projector should be unplugged if it will not to be used for an extended period.
- If you want to turn off the image briefly (five minutes or less), use the "Image Mute" feature instead of turning the projector off and on.
- The LCD projector will display a black image if no input signal is present.
- Do not turn the LCD projector off and then immediately back on. The Projector needs to cool down for a minute before it is powered on again.

CAUTION

Do not unplug the projector while the cooling fan is on. The fan will remain on as long as there is heat inside the LCD projector and the main power switch is on.

Using The Icons

1. Press the "Menu" button on the remote control or projector cabinet to display the icon bar.
2. Press the "Menu" button again to move to the next menu, or press the "Select" button to highlight the menu icon for the item you want to adjust. When an icon is highlighted, the name of the item appears on the right side of the icon menu bar.
3. Adjust the level or turn the selected item on or off by using the (+) or (-) buttons on the remote control or cabinet. The on-screen gauge will show you the amount of increase or decrease. [The (+) button is "on" and (-) is "off.]"
4. The change is stored until you adjust it again.
5. Repeat steps 2-4 to adjust an additional item, or press "Menu" on your remote control or cabinet to quit.



Icon Descriptions & Functions

Source Icons



Selects a video source (NTSC, PAL, SECAM, or M-NTSC) such as a VCR or laser disc player.



Selects an S-video source.



Selects an RGB source such as a computer or document camera.







Sound And Picture Control Icons



Volume


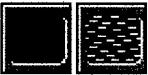






Brightness

-  **Contrast**
-  **Color***
-  **Tint***
-  **Sharpness***
-  **Horizontal Position**** [(+) moves the image right, (-) moves it to the left]
-  **Vertical Position**** [(+) moves the image up, (-) moves it down]

**NOTE: The color, tint, and sharpness controls will not work with an RGB source. The tint control will not work with a PAL and SECAM source.*

Projector Control Icons

-  **Auto Start** Turns the LCD projector on automatically when the main power switch is turned on. This eliminates the need to always use the "Power" button on the remote control or projector cabinet.
-  **Auto Picture** When on, the "Picture" and "Fine Picture" adjustments are made automatically.**
-  **High-Contrast** Increases contrast so the image from a document camera is easier to see. This feature will work with VIDEO and RGB input only. When connecting the camera to the S-VIDEO, the High-Contrast mode is not available.
-  **Speakers** Turns the projector's speakers on and off.
-  **Power Management** When "Power Management" is on and there is no RGB video input for five minutes or more, the projector will automatically turn itself off. Note that VIDEO and S-VIDEO sources are ignored.
-  **Display Mode** This toggles your projector between resolutions of 800×600 full screen mode (+) and 640×480 (-) underscan mode. The 640×480 resolution is only available for signals with a horizontal frequency of 35 kHz or lower. Press (-) if you want to display a 640×480 image in the 800×600 display area in the underscan mode. Note that a 1024×768 dots image is automatically compressed into the 800×600 display area.



Set Position This reorients your image for your type of projection. Press the (+) button until you have the correct image orientation. It moves sequentially: front floor projection - rear ceiling projection - rear floor projection - front ceiling projection. Press the (-) to move backward through the sequence.

Maintenance Icons



Picture Adjustment Use this icon with the "Fine Picture Adjustment" to fine tune the computer image or to remove any vertical banding that might appear. This function adjusts the clock frequencies that eliminate banding in the image. Press the (+) and (-) buttons until the banding disappears. This adjustment may be necessary when you hook your computer up for the first time. This adjustment is made automatically when the Auto Picture is turned on.**



Fine Picture Adjustment Use this icon to adjust the clock phase or to reduce video noise, dot interference or cross talk. (This is evident when parts of the image appear to be shimmering.) Use the (+) and (-) buttons to adjust the image. Use the Fine Picture Adjustment only after the Picture Adjustment is complete. This adjustment is made automatically when the Auto Picture is turned on.**



Lamp Usage This tells you how long the lamp has been in operation. It is recommended that you replace a lamp after 2000 hours of service. To see the time used, select this icon and press the (+) button. After you install a new lamp, select this icon and press and hold the "Power On" button on the remote control for ten seconds to reset the lamp clock back to zero.



Reset Changes all adjustments to the factory preset levels for each source individually. To activate, you must press the (+) button on the cabinet or remote for at least two seconds. The adjustments that will be reset are horizontal and vertical control (for the current image only), picture and fine picture adjustment, brightness, contrast, color, tint, and sharpness.

****NOTE:** The picture, fine picture and auto picture adjustment, and horizontal and vertical position controls will not work with a video source.

4 MAINTENANCE

This section describes the simple maintenance procedures you should follow to replace the lamp, clean or replace the filter, and replace the batteries in the remote control.

Replacing The Lamp

After your lamp has been operating for 2000 hours or longer, the "status" light in the cabinet will go on. Even though the lamp may still be working, it is advisable to replace it at 2000 hours to maintain optimal projector performance.

CAUTION

- **DO NOT TOUCH THE LAMP** immediately after it has been used. It will be extremely hot. Allow at least one hour for the lamp to cool before handling.
- **DO NOT REMOVE SCREWS** other than the lamp cover set screw and the two lamp case screws as doing so can result in electric shock.

To replace the lamp:

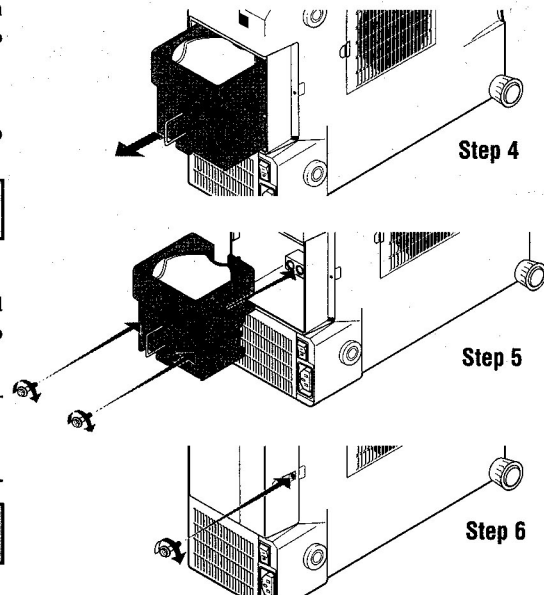
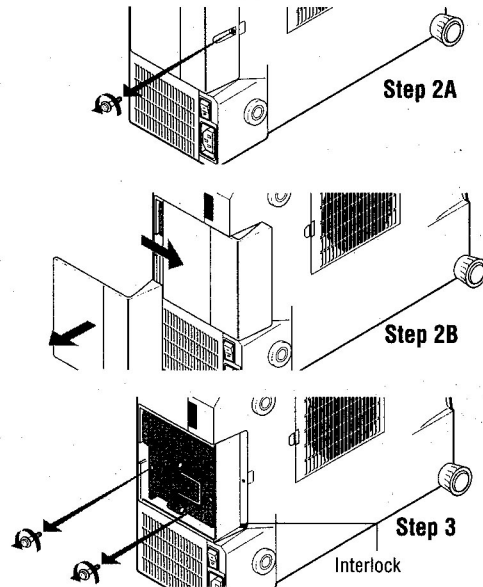
1. Turn off the main power to the MultiSync MT800 LCD Projector and disconnect the power cable.
2. Remove the single screw that secures the lamp housing cover and remove the cover.
3. Remove the two screws securing the lamp case. (There is an interlock on this case to prevent the risk of electrical shock. Do not attempt to circumvent this interlock.)
4. Use the lamp case handle to remove the assembly.
5. Install a new lamp case assembly and secure it in place with the two screws.

NOTE: Do not use lamps other than the NEC optional lamp. Order by your projection's model number.

6. Reattach the lamp cover and reinstall the single screw.
7. After you install a new lamp, select the Lamp Usage icon and press and hold the "Power On" button on the remote control for ten seconds to reset the lamp time clock to zero.

NOTE: When you replace the lamp, it is also wise to replace the filter. The filter comes in the same package with your replacement lamp. Contact your NEC dealer for replacement lamps. Order by your projector's model number.

NOTE: Do not put the LCD projector on end except for lamp and/or air filter replacement.



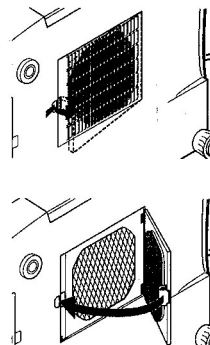
Cleaning Or Replacing The Filter

The air-filter sponge keeps the inside of the MultiSync MT800 LCD Projector free from dust or dirt and should be cleaned after every 100 hours of operation (more often in dusty conditions). If the filter is dirty or clogged, your projector may overheat.

NOTE: Clean your filter after every 100 hours of operation.

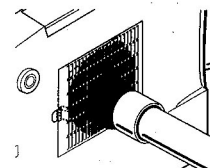
To clean or replace the air-filter:

1. Turn off the LCD projector and wait for the fan to stop. Turn off the main power and disconnect the power cable.
2. Remove the filter panel by pushing down on the cover until you feel it detach.
3. Replace it with a new filter or vacuum the filter thoroughly. Do not wash the filter with soap and water. Soap and water will damage the filter membrane.
4. Reposition the filter or put the new filter into place. Reinstall the filter panel.



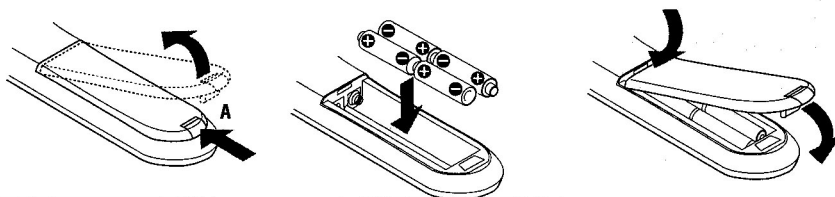
⚠ CAUTION

- Only clean the outside of the filter with a vacuum cleaner.
- Do not clean inside the projector where the filter is positioned and the caution label is placed.
- Do not attempt to operate the projector without a filter.
- Your LCD projector will not operate unless the filter is installed correctly.



Remote Control Battery Installation

1. Press firmly on point "A" and slide the battery cover off.
2. Remove all four old batteries and install new ones (AAA). Ensure that you have the batteries' polarity (+/-) aligned correctly.
3. Slip the cover back over the batteries until it snaps into place.



REEMPLACER L'AMPOULE

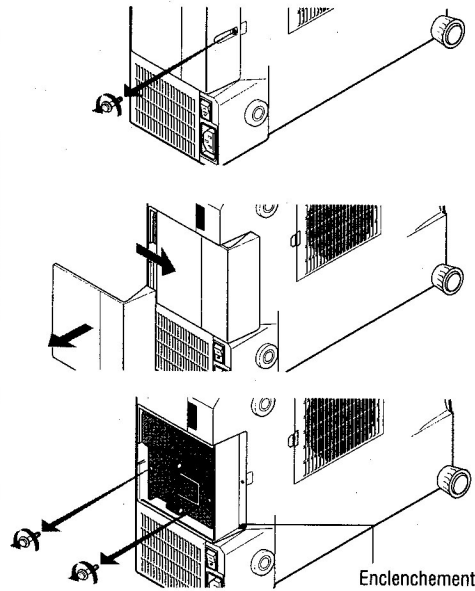
Après un fonctionnement de 2000 heures ou plus, un signal lumineux s'affichera dans le coffret de l'appareil. Même si l'ampoule demeure fonctionnelle,

ATTENTION

- **NE PAS TOUCHER A L'AMPOULE** immédiatement après usage. Celle-ci sera extrêmement chaude. Attendre au moins une heure pour laisser l'ampoule refroidir av
- **NE PAS ENLEVER D'AUTRES VIS** que la vis fixant le couvercle de l'ampoule et les deux vis du coffret de l'ampoule car cela peut provoquer une électrocution.

Pour remplacer l'ampoule:

1. Fermer le contact principal de courant du projecteur à écran à cristaux liquides (LCD) et débrancher le câble électrique.
2. Enlever la vis qui fixe le couvercle de l'ampoule en place et enlever le couvercle.
3. Enlever les deux vis qui maintiennent le coffret de l'ampoule. (Il y a un enclenchement sur ce coffret pour prévenir les risques d'électrocution.)
4. Utiliser la poignée du coffret de l'ampoule pour le désassemblage.



45

5. Installer une nouvelle ampoule et fixer le coffret de l'ampoule avec les deux vis.

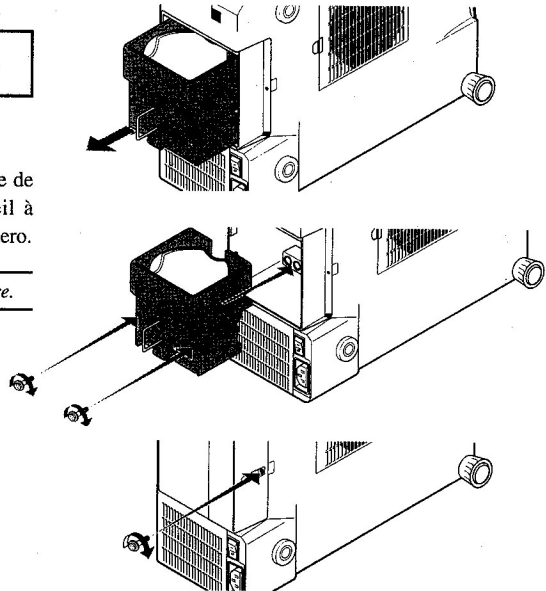
ATTENTION: Ne pas utiliser d'autres ampoules que l'ampoule NEC en option. Faire la commande avec le numéro de modèle de votre projecteur.

6. Replacer le couvercle de l'ampoule et fixer avec la vis.
7. Après l'installation de la nouvelle ampoule, sélectionner l'icône de l'usage de l'ampoule, presser sans relâcher le bouton "Power On" sur l'appareil à télécommande pendant 10 seconds afin de remettre l'horloge de l'ampoule à zero.

NOTE: Quand vous remplacez l'ampoule, il est recommande de changer aussi le filtre.

ATTENTION: Le filtre est inclus dans l'emballage de la nouve

ATTENTION: Ne pas arrêter le projecteur à écran à cristaux liquides (LCD) sauf pour remplacer l'ampoule et/ou le filtre à air.



46

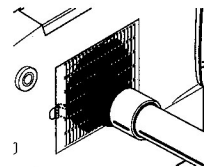
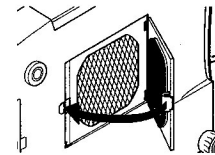
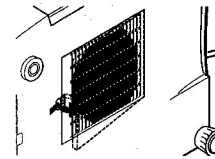
Nettoyer et remplacer le filtre

Le filtre à air éponge empêche la poussière et la saleté de pénétrer à l'intérieur du projecteur à écran à cristaux liquides (LCD) et devrait être nettoyé après 100 heures d'usage (plus souvent dans les endroits très poussiéreux). Si le filtre est sale ou bouché, votre projecteur peut surchauffer.

NOTE: Nettoyer votre filtre après 100 heures d'usage.

Pour nettoyer le filtre à air:

1. Fermer le contact de courant du projecteur à écran à cristaux liquides (LCD) et attendre que le ventilateur arrête. Fermer le contact de courant principal et débrancher le câble électrique.
2. Enlever le panneau du filtre en poussant sur le bas du couvercle jusqu'à ce que vous sentiez un détachement du couvercle.
3. Remplacer avec un nouveau filtre ou nettoyer le filtre en place à fond avec un aspirateur. Ne pas laver le filtre avec de l'eau et du savon, l'eau et le savon vont endommager la membrane du filtre.
4. Remettre le filtre en place ou installer le nouveau filtre. Remettre le panneau du filtre en place.



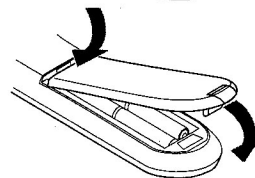
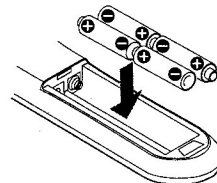
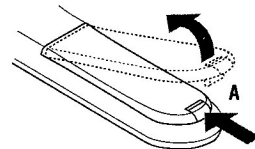
47

⚠ AVERTISSEMENT

- Nettoyer seulement l'extérieur du filtre avec un aspirateur.
- Ne pas nettoyer à l'intérieur du projecteur où le filtre est situé, il y a une étiquette d'avertissement.
- Ne pas essayer de faire fonctionner le projecteur sans un filtre.
- Votre projecteur à écran à cristaux liquides (LCD) ne fonctionnera pas si le filtre est installé incorrectement.

Installation des batteries de l'appareil à télécommande.

1. Presser fermement sur le point "A" et enlever le couvercle des batteries en le glissant.
2. Enlever les quatre vieilles batteries et installer de nouvelles batteries (AAA). Assurez-vous d'aligner correctement la polarité (+/-).
3. Glisser le couvercle de protection des batteries en place jusqu'à ce que vous entendiez un claquement.



48