

# ***PX-50XR5A***

## **Model Information**

**Model Information**

**Informations modèle**

**Información del modelo**

**Informação do modelo**

**NEC**

NEC Solutions (America), Inc.



# Important Information

## Warning

Not for use in a computer room as defined in the Standard for the Protection of Electronic Computer/ Data Processing Equipment ANSI/NFPA 75.

This equipment has been tested and found to comply with the limits for a Class B digital device, pursuant to Part 15 of the FCC Rules. These limits are designed to provide reasonable protection against harmful interference in a residential installation. This equipment generates, uses, and can radiate radio frequency energy and, if not installed and used in accordance with the instructions, may cause harmful interference to radio communications. However, there is no guarantee that interference will not occur in a particular installation. If this equipment does cause harmful interference to radio or television reception, which can be determined by turning the equipment off and on, the user is encouraged to try to correct the interference by one or more of the following measures:

- Reorient or relocate the receiving antenna.
- Increase the separation between the equipment and receiver.
- Connect the equipment into an outlet on a circuit different from that to which the receiver is connected.
- Consult the dealer or an experienced radio / TV technician for help.

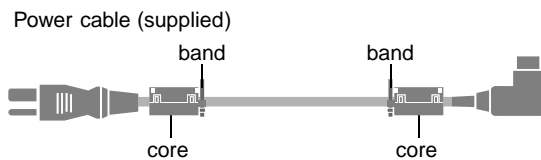
This Class B digital apparatus complies with Canadian ICES-003.

### NOTE:

When you connect a computer to this monitor, use an RGB cable including the ferrite core on both ends of the cable. And regarding power cable, attach the supplied ferrite cores. If you do not do this, this monitor will not conform to mandatory FCC standards.

Set the ferrite cores on both ends of the power cable (supplied).

Use the band to fasten the ferrite core (supplied) to the power cable.



## Caution

This model is for use with the following optional accessories. Use with other optional accessories is capable of resulting in instability causing possible injury.

Manufacturer's name: NEC Viewtechnology, Ltd.

Speakers: PX-SP2U/S, PX-SP2U/B

Stand: PX-ST1U, PX-ST1U/S, PX-ST2U

Please contact NEC Solutions (America), Inc. for approved optional accessories.



## Disposing of your used product

EU-wide legislation as implemented in each Member State requires that used electrical and electronic products carrying the mark (left) must be disposed of separately from normal household waste. This includes plasma monitors and their electrical accessories. When you dispose of such products, please follow the guidance of your local authority and/or ask the shop where you purchased the product.

After collecting the used products, they are reused and recycled in a proper way. This effort will help us reduce the wastes as well as the negative impact to the human health and the environment at the minimum level.

The mark on the electrical and electronic products only applies to the current European Union Member States.

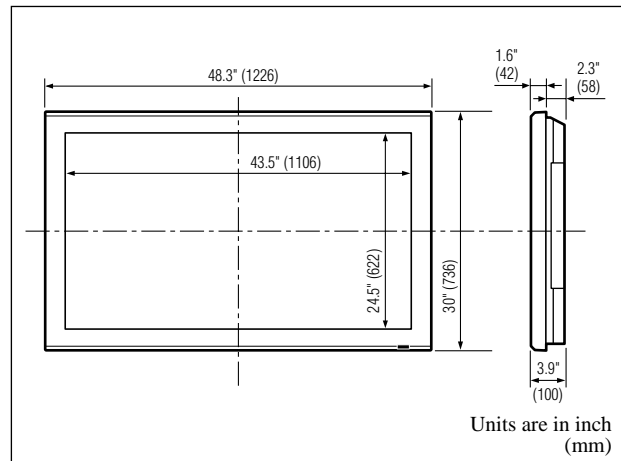
## CAUTION

When disposing of used batteries, please comply with governmental regulations or environmental public instruction's rules that apply in your country/area.

# Specifications

For the operation of your plasma monitor, refer to "Operation Manual".

|                                     |                                                                                                                                                                                                                                                                                                                                                                                                                                                                                                                                                                                                       |
|-------------------------------------|-------------------------------------------------------------------------------------------------------------------------------------------------------------------------------------------------------------------------------------------------------------------------------------------------------------------------------------------------------------------------------------------------------------------------------------------------------------------------------------------------------------------------------------------------------------------------------------------------------|
| <b>Screen Size</b>                  | 43.5"(H) × 24.5"(V) inches<br>1106(H) × 622(V) mm<br>diagonal 50"                                                                                                                                                                                                                                                                                                                                                                                                                                                                                                                                     |
| <b>Aspect Ratio</b>                 | 16 : 9                                                                                                                                                                                                                                                                                                                                                                                                                                                                                                                                                                                                |
| <b>Resolution</b>                   | 1365(H) × 768(V) pixels                                                                                                                                                                                                                                                                                                                                                                                                                                                                                                                                                                               |
| <b>Pixel Pitch</b>                  | 0.032"(H) × 0.032"(V) inches<br>0.81(H) × 0.81(V) mm                                                                                                                                                                                                                                                                                                                                                                                                                                                                                                                                                  |
| <b>Color Processing</b>             | 4,096 steps, 68.7 billion colors                                                                                                                                                                                                                                                                                                                                                                                                                                                                                                                                                                      |
| <b>Signals</b>                      |                                                                                                                                                                                                                                                                                                                                                                                                                                                                                                                                                                                                       |
| Synchronization Range               | Horizontal : 15.5 to 110.0 kHz<br>(automatic : step scan)<br>Vertical : 50.0 to 120.0 Hz<br>(automatic : step scan)                                                                                                                                                                                                                                                                                                                                                                                                                                                                                   |
| Input Signals                       | RGB, NTSC (3.58/4.43), PAL (B,G,M,N),<br>PAL60, SECAM, HD* <sup>1</sup> , DVD* <sup>1</sup>                                                                                                                                                                                                                                                                                                                                                                                                                                                                                                           |
| <b>Input Terminals</b>              |                                                                                                                                                                                                                                                                                                                                                                                                                                                                                                                                                                                                       |
| <b>PC/RGB</b>                       |                                                                                                                                                                                                                                                                                                                                                                                                                                                                                                                                                                                                       |
| Visual 1 (Analog)                   | mini D-sub 15-pin × 1                                                                                                                                                                                                                                                                                                                                                                                                                                                                                                                                                                                 |
| <b>Video</b>                        |                                                                                                                                                                                                                                                                                                                                                                                                                                                                                                                                                                                                       |
| Visual 1                            | RCA × 1                                                                                                                                                                                                                                                                                                                                                                                                                                                                                                                                                                                               |
| Visual 2                            | S-Video: DIN 4-pin × 1                                                                                                                                                                                                                                                                                                                                                                                                                                                                                                                                                                                |
| <b>DVD/HD</b>                       |                                                                                                                                                                                                                                                                                                                                                                                                                                                                                                                                                                                                       |
| Visual 1                            | RCA-pin (Y, Cb/Pb, Cr/Pr) × 1* <sup>1</sup>                                                                                                                                                                                                                                                                                                                                                                                                                                                                                                                                                           |
| Visual 2                            | RCA-pin (Y, Cb/Pb, Cr/Pr) × 1* <sup>1</sup>                                                                                                                                                                                                                                                                                                                                                                                                                                                                                                                                                           |
| HDMI                                | HDMI connector × 2* <sup>2</sup>                                                                                                                                                                                                                                                                                                                                                                                                                                                                                                                                                                      |
| <b>Audio</b>                        | Stereo RCA × 3 (Selectable)                                                                                                                                                                                                                                                                                                                                                                                                                                                                                                                                                                           |
| <b>External Control</b>             | D-sub 9-pin × 1 (RS-232C)                                                                                                                                                                                                                                                                                                                                                                                                                                                                                                                                                                             |
| <b>Sound output</b>                 | 9W+9W at 6 ohm                                                                                                                                                                                                                                                                                                                                                                                                                                                                                                                                                                                        |
| <b>Power Supply</b>                 | AC100-240V 50/60Hz                                                                                                                                                                                                                                                                                                                                                                                                                                                                                                                                                                                    |
| <b>Current Rating</b>               | 7.6A (maximum)                                                                                                                                                                                                                                                                                                                                                                                                                                                                                                                                                                                        |
| <b>Power Consumption</b>            | 435W (typical)                                                                                                                                                                                                                                                                                                                                                                                                                                                                                                                                                                                        |
| <b>Dimensions</b>                   | 48.3 (W) × 30 (H) × 3.9 (D) inches<br>1226 (W) × 736 (H) × 100 (D) mm                                                                                                                                                                                                                                                                                                                                                                                                                                                                                                                                 |
| <b>Weight</b>                       | 97 lbs / 44 kg (without stand)                                                                                                                                                                                                                                                                                                                                                                                                                                                                                                                                                                        |
| <b>Environmental Considerations</b> |                                                                                                                                                                                                                                                                                                                                                                                                                                                                                                                                                                                                       |
| Operating Temperature               | 0°C to 40°C / 32°F to 104°F                                                                                                                                                                                                                                                                                                                                                                                                                                                                                                                                                                           |
| Humidity                            | 20 to 80% (no condensation)                                                                                                                                                                                                                                                                                                                                                                                                                                                                                                                                                                           |
| Altitude                            | 720 to 1114 hPa<br>(0 to 9180 feet / 0 to 2800 m)                                                                                                                                                                                                                                                                                                                                                                                                                                                                                                                                                     |
| Storage Temperature                 | -10°C to 50°C / 14°F to 122°F                                                                                                                                                                                                                                                                                                                                                                                                                                                                                                                                                                         |
| Humidity                            | 10 to 90% (no condensation)                                                                                                                                                                                                                                                                                                                                                                                                                                                                                                                                                                           |
| Altitude                            | 700 to 1114 hPa<br>(0 to 9840 feet / 0 to 3000 m)                                                                                                                                                                                                                                                                                                                                                                                                                                                                                                                                                     |
| <b>Other Features</b>               | Motion compensated 3D Scan Converter (NTSC, PAL, 480I, 576I, 525I, 625I, 1035I, 1080I), 2-3 pull down Converter (NTSC, 480I, 525I, 1035I, 1080I (60Hz)), 2-2 pull down Converter (PAL, 576I, 625I, NTSC, 480I, 525I), Digital Zoom Function (100-900% Selectable), Self Diagnosis, Image Burn reduction tools (PEAK BRIGHT, ORBITER, INVERSE, WHITE, SCREEN WIPER), Color Temperature select (high/middle/middle low/low, user has 4 memories), Auto Picture, Input Skip, Color Tune, Low Tone (3 mode), Gamma Correction (4 mode), Plug and play (DDC1, DDC2b, HDMI: E-DDC), Split screen operations |
| <b>Regulations</b>                  | UL 60065, CAN/CSA-C22.2 No.60065-03, FCC class B, ICES-003 class B                                                                                                                                                                                                                                                                                                                                                                                                                                                                                                                                    |



Units are in inch (mm)

The features and specifications may be subject to change without notice.

#### \*<sup>1</sup>DVD/HD input signals supported on this system.

|               |               |               |
|---------------|---------------|---------------|
| 480P (60 Hz)  | 480I (60 Hz)  | 525P (60 Hz)  |
| 525I (60 Hz)  | 576P (50 Hz)  | 576I (50 Hz)  |
| 625P (50 Hz)  | 625I (50 Hz)  | 720P (60 Hz)  |
| 720P (50 Hz)  | 1035I (60 Hz) | 1080I (50 Hz) |
| 1080I (60 Hz) | 1080P (50 Hz) | 1080P (60 Hz) |

#### \*<sup>2</sup>HDMI input signals supported on this system.

##### Supported Signals

- 640 × 480P @ 59.94/60Hz
- 1280 × 720P @ 59.94/60Hz
- 1920 × 1080I @ 59.94/60Hz
- 720 × 480P @ 59.94/60Hz
- 1440 (720) × 480I @ 59.94/60Hz
- 1920 × 1080I @ 50Hz
- 720 × 576P @ 50Hz
- 1440 (720) × 576I @ 50Hz
- 1280 × 720P @ 50Hz

**Note:** In some cases a signal on the plasma monitor may not be displayed properly. The problem may be an inconsistency with standards from the source equipment (DVD, Set-top box, etc...). If you do experience such a problem please contact NEC Solutions (America), Inc. and also the manufacturer of the source equipment.

# Table of Signals Supported

## Supported resolution

- When the screen mode is NORMAL, each signal is converted to a 1024 dots × 768 lines signal. (Except for \*2,3,4)
- When the screen mode is ANAMORPHIC, each signal is converted to a 1365 dots × 768 lines signal. (Except for \*3)

## Computer input signals supported by this system

| Model<br>Signal Type                | Dots × lines  | Vertical frequency (Hz) | Horizontal frequency (kHz) | Sync Polarity |           | Presence   |          | Screen mode  |                   | RGB select*5 | Memory |
|-------------------------------------|---------------|-------------------------|----------------------------|---------------|-----------|------------|----------|--------------|-------------------|--------------|--------|
|                                     |               |                         |                            | Horizontal    | Vertical  | Horizontal | Vertical | NORMAL (4:3) | ANAMORPHIC (16:9) |              |        |
| NEC PC-9800                         | 640 × 400     | 70.1                    | 31.5                       | NEG           | NEG       | YES        | YES      | YES*2        | YES               | --           | 4      |
|                                     | 720 × 400     | 70.1                    | 31.5                       | NEG           | NEG       | YES        | YES      | --           | YES               | 720 × 400    | 82     |
| IBM PC/AT*8<br>compatible computers | 640 × 480     | 59.9                    | 31.5                       | NEG           | NEG       | YES        | YES      | YES          | YES               | 640 × 480    | 5      |
|                                     |               | 72.8                    | 37.9                       | NEG           | NEG       | YES        | YES      | YES          | YES               | --           | 7      |
|                                     |               | 75.0                    | 37.5                       | NEG           | NEG       | YES        | YES      | YES          | YES               | 640 × 480    | 8      |
|                                     |               | 85.0                    | 43.3                       | NEG           | NEG       | YES        | YES      | YES          | YES               | --           | 9      |
|                                     |               | 100.4                   | 51.1                       | NEG           | NEG       | YES        | YES      | YES          | YES               | --           | 41     |
|                                     |               | 120.4                   | 61.3                       | NEG           | NEG       | YES        | YES      | YES          | YES               | --           | 42     |
|                                     | 720 × 400     | 85.1                    | 37.9                       | NEG           | POS       | YES        | YES      | --           | YES               | --           | 73     |
|                                     | 848 × 480     | 60.0                    | 31.0                       | POS           | POS       | YES        | YES      | --           | YES               | 848 × 480    | 19     |
|                                     | 852 × 480*1   | 60.0                    | 31.7                       | NEG           | NEG       | YES        | YES      | --           | YES               | 852 × 480    | 17     |
|                                     | 800 × 600     | 56.3                    | 35.2                       | POS           | POS       | YES        | YES      | YES          | YES               | 800 × 600    | 11     |
|                                     |               | 60.3                    | 37.9                       | POS           | POS       | YES        | YES      | YES          | YES               | 800 × 600    | 12     |
|                                     |               | 72.2                    | 48.1                       | POS           | POS       | YES        | YES      | YES          | YES               | --           | 13     |
|                                     |               | 75.0                    | 46.9                       | POS           | POS       | YES        | YES      | YES          | YES               | --           | 14     |
|                                     |               | 85.1                    | 53.7                       | POS           | POS       | YES        | YES      | YES          | YES               | --           | 15     |
|                                     |               | 99.8                    | 63.0                       | POS           | POS       | YES        | YES      | YES          | YES               | --           | 43     |
|                                     | 120.0         | 75.7                    | POS                        | POS           | YES       | YES        | YES      | YES          | --                | 44           |        |
|                                     | 1024 × 768    | 60.0                    | 48.4                       | NEG           | NEG       | YES        | YES      | YES*3        | YES               | 1024 × 768   | 24     |
|                                     |               | 70.1                    | 56.5                       | NEG           | NEG       | YES        | YES      | YES*3        | YES               | --           | 25     |
|                                     |               | 75.0                    | 60.0                       | POS           | POS       | YES        | YES      | YES*3        | YES               | 1024 × 768   | 26     |
|                                     |               | 85.0                    | 68.7                       | POS           | POS       | YES        | YES      | YES*3        | YES               | --           | 27     |
|                                     |               | 100.6                   | 80.5                       | NEG           | NEG       | YES        | YES      | YES*3        | YES               | --           | 45     |
|                                     | 1152 × 864    | 75.0                    | 67.5                       | POS           | POS       | YES        | YES      | YES          | YES               | 1152 × 864   | 51     |
|                                     | 1280 × 768    | 56.2                    | 45.1                       | POS           | POS       | YES        | YES      | --           | YES               | 1280 × 768   | 52     |
|                                     |               | 59.8                    | 48.0                       | POS           | NEG       | YES        | YES      | --           | YES               | 1280 × 768   | 80     |
|                                     | 1280 × 768*9  | 69.8                    | 56.0                       | NEG           | POS       | YES        | YES      | --           | YES               | 1280 × 768   | 66     |
|                                     | 1280 × 800*9  | 60.0                    | 49.7                       | NEG           | NEG       | YES        | YES      | --           | YES               | 1280 × 800   | 21     |
|                                     | 1280 × 854*9  | 60.0                    | 53.1                       | NEG           | NEG       | YES        | YES      | --           | YES               | 1280 × 854   | 37     |
|                                     | 1280 × 960    | 60.0                    | 60.0                       | POS           | POS       | YES        | YES      | YES          | YES               | --           | 63     |
|                                     | 1360 × 765    | 60.0                    | 47.7                       | POS           | POS       | YES        | YES      | --           | YES*3             | 1360 × 765   | 22     |
|                                     | 1360 × 768    | 60.0                    | 47.7                       | POS           | POS       | YES        | YES      | --           | YES*3             | 1360 × 768   | 22     |
|                                     | 1376 × 768    | 59.9                    | 48.3                       | NEG           | POS       | YES        | YES      | --           | YES               | 1376 × 768   | 53     |
|                                     | 1280 × 1024   | 60.0                    | 64.0                       | POS           | POS       | YES        | YES      | YES*4        | YES               | 1280 × 1024  | 29     |
|                                     |               | 75.0                    | 80.0                       | POS           | POS       | YES        | YES      | YES*4        | YES               | --           | 30     |
|                                     |               | 85.0                    | 91.1                       | POS           | POS       | YES        | YES      | YES*4        | YES               | --           | 40     |
|                                     |               | 100.1                   | 108.5                      | POS           | POS       | YES        | YES      | YES*4        | YES               | --           | 47     |
|                                     | 1680 × 1050*9 | 60.0                    | 65.3                       | NEG           | NEG       | YES        | YES      | --           | YES               | 1680 × 1050  | 38     |
|                                     | 1600 × 1200   | 60.0                    | 75.0                       | POS           | POS       | YES        | YES      | YES          | YES               | --           | 54     |
|                                     |               | 65.0                    | 81.3                       | POS           | POS       | YES        | YES      | YES          | YES               | --           | 55     |
|                                     |               | 70.0                    | 87.5                       | POS           | POS       | YES        | YES      | YES          | YES               | --           | 56     |
|                                     |               | 75.0                    | 93.8                       | POS           | POS       | YES        | YES      | YES          | YES               | --           | 57     |
|                                     |               | 85.0                    | 106.3                      | POS           | POS       | YES        | YES      | YES          | YES               | --           | 58     |
|                                     | 1920 × 1200*9 | 60.0                    | 74.6                       | NEG           | NEG       | YES        | YES      | --           | YES               | 1920 × 1200  | 81     |
| 1920 × 1200RB*9                     | 60.0          | 74.0                    | NEG                        | NEG           | YES       | YES        | --       | YES          | 1920 × 1200       | 88           |        |
| Apple<br>Macintosh*6,8              | 640 × 480     | 66.7                    | 35.0                       | Sync on G     | Sync on G | --         | --       | YES          | YES               | --           | 6      |
|                                     | 832 × 624     | 74.6                    | 49.7                       | Sync on G     | Sync on G | --         | --       | YES          | YES               | --           | 16     |
|                                     | 1024 × 768    | 74.9                    | 60.2                       | Sync on G     | Sync on G | --         | --       | YES*3        | YES               | 1024 × 768   | 28     |
|                                     | 1152 × 870    | 75.1                    | 68.7                       | Sync on G     | Sync on G | --         | --       | YES          | YES               | 1152 × 870   | 39     |
| 1440 × 900*9                        | 60.0          | 56.0                    | NEG                        | NEG           | YES       | YES        | --       | YES          | --                | 89           |        |
| Work Station<br>(EWS4800)*8         | 1280 × 1024   | 60.0                    | 64.6                       | NEG           | NEG       | YES        | YES      | YES*4        | YES               | --           | 29     |
|                                     |               | 71.2                    | 75.1                       | NEG           | NEG       | YES        | YES      | YES*4        | YES               | --           | 48     |
| Work Station (HP)*8                 | 1280 × 1024   | 72.0                    | 78.1                       | --            | --        | --         | --       | YES*4        | YES               | --           | 59     |
| Work Station<br>(SUN)*8             | 1152 × 900    | 66.0                    | 61.8                       | C Sync        | C Sync    | --         | --       | YES          | YES               | --           | 60     |
|                                     |               | 76.0                    | 71.7                       | C Sync        | C Sync    | --         | --       | YES          | YES               | --           | 61     |
|                                     | 1280 × 1024   | 76.1                    | 81.1                       | C Sync        | C Sync    | --         | --       | YES*4        | YES               | --           | 30     |

| Model<br>Signal Type | Dots × lines | Vertical frequency (Hz) | Horizontal frequency (kHz) | Sync Polarity |          | Presence   |          | Screen mode  |                   | RGB select*5 | Memory |
|----------------------|--------------|-------------------------|----------------------------|---------------|----------|------------|----------|--------------|-------------------|--------------|--------|
|                      |              |                         |                            | Horizontal    | Vertical | Horizontal | Vertical | NORMAL (4:3) | ANAMORPHIC (16:9) |              |        |
| Work Station (SGI)   | 1024×768     | 60.0                    | 49.7                       | --            | --       | --         | --       | YES*3        | YES               | --           | 62     |
|                      | 1280×1024    | 60.0                    | 63.9                       | --            | --       | --         | --       | YES*4        | YES               | --           | 29     |
| IDC-3000G            |              |                         |                            |               |          |            |          |              |                   |              |        |
| PAL625P              | 768×576      | 50.0                    | 31.4                       | NEG           | NEG      | YES        | YES      | YES*7        | YES*7             | --           | 31     |
| NTSC525P             | 640×480      | 59.9                    | 31.5                       | NEG           | NEG      | YES        | YES      | YES*7        | YES*7             | 640×480      | 32     |
|                      | 1152×864     | 60.0                    | 53.7                       | POS           | NEG      | YES        | YES      | YES          | YES               | 1152×864     | 84     |
|                      |              | 72.0                    | 64.9                       | POS           | NEG      | YES        | YES      | YES          | YES               | --           | 85     |
|                      | 1400×1050    | 60.0                    | 65.3                       | NEG           | POS      | YES        | YES      | YES          | YES               | --           | 65     |
|                      |              | 75.0                    | 82.3                       | NEG           | POS      | YES        | YES      | YES          | YES               | --           | 71     |
|                      |              | 85.0                    | 93.9                       | NEG           | POS      | YES        | YES      | YES          | YES               | --           | 72     |

\*1 Only when using a graphic accelerator board that is capable of displaying 852×480.

\*2 This signal is converted to a 1024 dots×640 lines signal.

\*3 The picture is displayed in the original resolution.

\*4 The aspect ratio is 5:4. This signal is converted to a 960 dots×768 lines signal.

\*5 Normally the RGB select mode suite for the input signals is set automatically. If the picture is not displayed properly, set the RGB mode prepared for the input signals listed in the table above.

\*6 To connect the monitor to Macintosh computer, use the monitor adapter (D-Sub 15-pin) to your computer's video port.

\*7 Other screen modes (ZOOM and STADIUM) are available as well.

\*8 When viewing a moving picture at a vertical frequency greater than 65Hz, the picture may sometimes be unstable (jumpy). If this occurs, please set the refresh rate of the external equipment to 60Hz.

\*9 CVT standard compliant.

**NOTE:**

- While the input signals comply with the resolution listed in the table above, you may have to adjust the position and size of the picture or the fine picture because of errors in synchronization of your computer.
- When a 1280 dots×1024 lines signal or 1600 dots×1200 lines signal is input to the monitor, the picture will be compressed.
- This monitor has a resolution of 1365 dots×768 lines. It is recommended that the input signal should be XGA, wide XGA, or equivalent.
- With digital input some signals are not accepted.
- The sync may be disturbed when a nonstandard signal other than the aforementioned is input.
- If you are connecting a composite sync signal, use the HD terminal.

- "IBM PC/AT" and "XGA" are registered trademarks of International Business Machines, Inc. of the United States.
- "Apple Macintosh" is a registered trademark of Apple Computer, Inc. of the United States.

# Recommandations importantes

## Avertissement

Ne pas utiliser dans une salle d'ordinateurs telle que définie dans la Norme pour la protection des ordinateurs électroniques/appareils de traitement des données ANSI/NFPA75.

Cet appareil a été testé et trouvé conforme avec les limites des appareils numériques de classe B, conformément à l'article 15 du règlement FCC. Ces limites sont conçues pour offrir une protection raisonnable contre les interférences nuisibles dans une installation résidentielle. Cet appareil génère, utilise et peut émettre de l'énergie radiofréquence et, s'il n'est pas installé et utilisé selon les instructions, peut causer des interférences nuisibles aux communications radio. Cependant, il n'y a aucune garantie que de telles interférences ne se produisent pas pour une installation particulière. Si cet appareil causait des interférences nuisibles à la réception radio ou télévisée, ce qui peut être déterminé en mettant l'appareil hors et sous tension, vous être encouragé à essayer de corriger ces interférences à l'aide de l'une ou plusieurs mesures suivantes:

- Réorientez ou déplacez l'antenne réceptrice.
- Augmentez l'espace entre l'appareil et le récepteur.
- Connectez l'appareil sur une prise secteur appartenant à un circuit différent de celui sur lequel le récepteur est connecté.
- Consultez votre revendeur ou un technicien radio/télévision expérimenté.

Cet appareil numérique de la classe B est conforme à la norme NMB-003 du Canada.

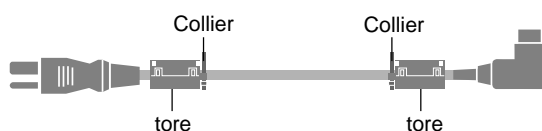
### REMARQUE:

Pour raccorder un ordinateur à ce moniteur, procéder à l'aide d'un câble RGB à âme de ferrite aux deux extrémités. Sur les câbles d'alimentation électrique, fixer les âmes de ferrite fournies aux extrémités. Si vous ne faites pas cela, le moniteur ne sera pas conforme aux normes obligatoires FCC.

Monter les tores en ferrite aux deux extrémités du câble d'alimentation électrique (fourni).

Fixer le tore en ferrite (fourni) au câble d'alimentation à l'aide d'un collier.

Câble d'alimentation (fourni)



## Attention

Ce modèle peut être utilisé avec les accessoires optionnels suivants. L'utilisation de ce modèle avec d'autres accessoires optionnels peut entraîner une instabilité qui peut causer des blessures.

Nom du fabricant : NEC Viewtechnology, Ltd.

Enceintes: PX-SP2U/S, PX-SP2U/B

Support: PX-ST1U, PX-ST1U/S, PX-ST2U

Veillez contacter NEC Solutions (America), Inc. pour obtenir la liste des accessoires optionnels agréés.



### Mise au rebut de votre produit usagé

La législation européenne, appliquée dans tous les Etats membres, exige que les produits électriques et électroniques portant la marque (à gauche) doivent être mis au rebut séparément des autres ordures ménagères. Ceci inclus les moniteurs plasma et leurs accessoires électriques. Lorsque vous mettez au rebut ces produits, veuillez suivre les recommandations des autorités locales et/ou demandez conseil au magasin qui vous a vendu le produit.

Une fois ces produits mis au rebut, ils sont recyclés et de manière appropriée. Cet effort nous aidera à réduire les déchets et à maintenir au niveau minimum leurs conséquences négatives sur la santé humaine et sur l'environnement.

La marque figurant sur les produits électriques et électroniques ne s'applique qu'aux Etats membres actuels de l'Union Européenne.

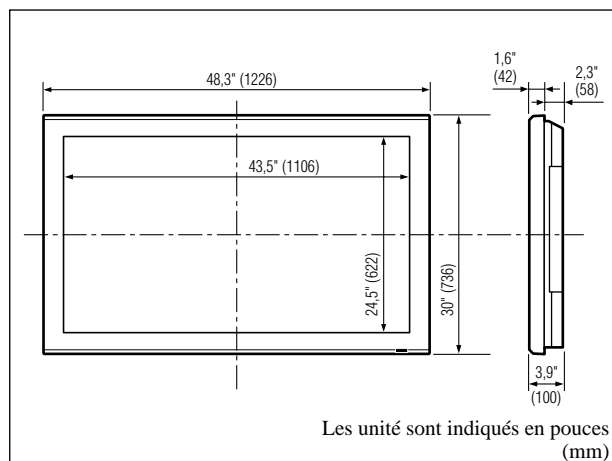
### ⚠ ATTENTION

Lorsque vous disposez de piles / batteries usées, veuillez vous conformer aux normes gouvernementales ou environnementales en vigueur dans votre pays ou région.

# Caractéristiques

Concernant l'utilisation de votre moniteur à plasma, référez-vous au "Mode d'emploi".

|                                       |                                                                                                                                                                                                                                                                                                                                                                                                                                                                                                                                                                                                                                                                   |
|---------------------------------------|-------------------------------------------------------------------------------------------------------------------------------------------------------------------------------------------------------------------------------------------------------------------------------------------------------------------------------------------------------------------------------------------------------------------------------------------------------------------------------------------------------------------------------------------------------------------------------------------------------------------------------------------------------------------|
| <b>Dimensions de l'écran</b>          | 43,5"(H) × 24,5"(l) pouces<br>1106(H) × 622(l) mm<br>50" de diagonale                                                                                                                                                                                                                                                                                                                                                                                                                                                                                                                                                                                             |
| <b>Rapport largeur/hauteur</b>        | 16 / 9                                                                                                                                                                                                                                                                                                                                                                                                                                                                                                                                                                                                                                                            |
| <b>Résolution</b>                     | 1365(H) × 768(l) pixels                                                                                                                                                                                                                                                                                                                                                                                                                                                                                                                                                                                                                                           |
| <b>Pixel Pitch</b>                    | 0,032"(H) × 0,032"(V) pouces<br>0,81(H) × 0,81(V) mm                                                                                                                                                                                                                                                                                                                                                                                                                                                                                                                                                                                                              |
| <b>Traitement des couleurs</b>        | 4.096 paliers, 68,7 milliards de couleurs                                                                                                                                                                                                                                                                                                                                                                                                                                                                                                                                                                                                                         |
| <b>Signaux</b>                        |                                                                                                                                                                                                                                                                                                                                                                                                                                                                                                                                                                                                                                                                   |
| Gamme de synchronisation              | Horizontal : de 15,5 à 110,0 kHz<br>(Automatique : scanner par incréments)<br>Vertical : de 50,0 à 120,0 Hz<br>(Automatique : scanner par incréments)                                                                                                                                                                                                                                                                                                                                                                                                                                                                                                             |
| Signaux d'entrée                      | RGB, NTSC (3,58/4,43), PAL (B,G,M,N), PAL60, SECAM, HD*1, DVD*1                                                                                                                                                                                                                                                                                                                                                                                                                                                                                                                                                                                                   |
| <b>Bornes d'entrées</b>               |                                                                                                                                                                                                                                                                                                                                                                                                                                                                                                                                                                                                                                                                   |
| <b>PC/RGB</b>                         |                                                                                                                                                                                                                                                                                                                                                                                                                                                                                                                                                                                                                                                                   |
| Visuelle 1 (Analog)                   | Connecteur Mini sub D à 15 broches × 1                                                                                                                                                                                                                                                                                                                                                                                                                                                                                                                                                                                                                            |
| <b>Vidéo</b>                          |                                                                                                                                                                                                                                                                                                                                                                                                                                                                                                                                                                                                                                                                   |
| Visuelle 1                            | Connecteur RCA × 1                                                                                                                                                                                                                                                                                                                                                                                                                                                                                                                                                                                                                                                |
| Visuelle 2                            | S-Vidéo : Connecteur DIN à 4 broches × 1                                                                                                                                                                                                                                                                                                                                                                                                                                                                                                                                                                                                                          |
| <b>DVD/HD</b>                         |                                                                                                                                                                                                                                                                                                                                                                                                                                                                                                                                                                                                                                                                   |
| Visuelle 1                            | Connecteur RCA (Y, Cb/Pb, Cr/Pr) × 1*1                                                                                                                                                                                                                                                                                                                                                                                                                                                                                                                                                                                                                            |
| Visuelle 2                            | Connecteur RCA (Y, Cb/Pb, Cr/Pr) × 1*1                                                                                                                                                                                                                                                                                                                                                                                                                                                                                                                                                                                                                            |
| HDMI                                  | Connecteur HDMI × 2*2                                                                                                                                                                                                                                                                                                                                                                                                                                                                                                                                                                                                                                             |
| <b>Audio</b>                          | Connecteur RCA Stéréo × 3 (sélectable)                                                                                                                                                                                                                                                                                                                                                                                                                                                                                                                                                                                                                            |
| <b>Commande externe</b>               | Connecteur D-sub à 9 broches (RS-232C)                                                                                                                                                                                                                                                                                                                                                                                                                                                                                                                                                                                                                            |
| <b>Sortie son</b>                     | 9W+9W à 6 Ohm                                                                                                                                                                                                                                                                                                                                                                                                                                                                                                                                                                                                                                                     |
| <b>Alimentation</b>                   | CA 100-240V 50/60Hz                                                                                                                                                                                                                                                                                                                                                                                                                                                                                                                                                                                                                                               |
| <b>Ampérage nominal</b>               | 7,6 A (maximum)                                                                                                                                                                                                                                                                                                                                                                                                                                                                                                                                                                                                                                                   |
| <b>Consommation de l'alimentation</b> | 435W (habituel)                                                                                                                                                                                                                                                                                                                                                                                                                                                                                                                                                                                                                                                   |
| <b>Dimensions</b>                     | 48,3 (L) × 30 (l) × 3,9 (P) pouces<br>1226 (L) × 736 (l) × 100 (P) mm                                                                                                                                                                                                                                                                                                                                                                                                                                                                                                                                                                                             |
| <b>Poids</b>                          | 97 lbs / 44 kg (sans support)                                                                                                                                                                                                                                                                                                                                                                                                                                                                                                                                                                                                                                     |
| <b>Contexte d'utilisation</b>         |                                                                                                                                                                                                                                                                                                                                                                                                                                                                                                                                                                                                                                                                   |
| Température d'utilisation             | 0°C à 40°C / 32°F à 104°F                                                                                                                                                                                                                                                                                                                                                                                                                                                                                                                                                                                                                                         |
| Humidité                              | 20 à 80% (sans condensation)                                                                                                                                                                                                                                                                                                                                                                                                                                                                                                                                                                                                                                      |
| Altitude                              | 720 à 1114 hPa<br>(0 à 9180 pieds / 0 à 2800 m)                                                                                                                                                                                                                                                                                                                                                                                                                                                                                                                                                                                                                   |
| Température de stockage               | -10°C à 50°C / 14°F à 122°F                                                                                                                                                                                                                                                                                                                                                                                                                                                                                                                                                                                                                                       |
| Humidité                              | 10 à 90% (sans condensation)                                                                                                                                                                                                                                                                                                                                                                                                                                                                                                                                                                                                                                      |
| Altitude                              | 700 à 1114 hPa<br>(0 à 9840 pieds / 0 à 3000 m)                                                                                                                                                                                                                                                                                                                                                                                                                                                                                                                                                                                                                   |
| <b>Autres caractéristiques</b>        | Convertisseur de lecture 3D à compensation de mouvement (NTSC, PAL, 480I, 576I, 525I, 625I, 1035I, 1080I), Convertisseur d'appel 2-3 (NTSC, 480I, 525I, 1035I, 1080I (60Hz)), Convertisseur d'appel 2-2 (PAL, 576I, 625I, NTSC, 480I, 525I), Fonction zoom numérique (réglable 100-900%), Auto-diagnostic, Anti image rémanente (PLE, ROTATION PIX, INV., BLANC, SCREEN WIPER), Sélection de la température des couleurs (haut/medium/basse +/-basse -), 4 réglages utilisateur mémorisables), Auto-image, Saut d'entrée, Ton couleurs, Ton bas (3 modes), Correction de gamma (4 modes), Plug and Play (DDC1, DDC2b, HDMI: E-DDC), Opérations de DECOUPE D'IMAGE |
| <b>Réglementations</b>                | UL 60065, CAN/CSA-C22.2 No.60065-03, FCC classe B, ICES-003 classe B                                                                                                                                                                                                                                                                                                                                                                                                                                                                                                                                                                                              |



Les caractéristiques techniques et spécifications peuvent faire l'objet de modifications sans préavis.

**\*1 Entrée de signaux DVD/HD compatibles sur ce système.**

|               |               |               |
|---------------|---------------|---------------|
| 480P (60 Hz)  | 480I (60 Hz)  | 525P (60 Hz)  |
| 525I (60 Hz)  | 576P (50 Hz)  | 576I (50 Hz)  |
| 625P (50 Hz)  | 625I (50 Hz)  | 720P (60 Hz)  |
| 720P (50 Hz)  | 1035I (60 Hz) | 1080I (50 Hz) |
| 1080I (60 Hz) | 1080P (50 Hz) | 1080P (60 Hz) |

**\*2 Les signaux d'entrée HDMI sont compatibles avec ce système.**

**Signaux supportés**

- 640 × 480P @ 59,94/60Hz
- 1280 × 720P @ 59,94/60Hz
- 1920 × 1080I @ 59,94/60Hz
- 720 × 480P @ 59,94/60Hz
- 1440 (720) × 480I @ 59,94/60Hz
- 1920 × 1080I @ 50Hz
- 720 × 576P @ 50Hz
- 1440 (720) × 576I @ 50Hz
- 1280 × 720P @ 50Hz

**Remarque :** Dans certains cas, un signal sur le moniteur plasma peut ne pas être affiché correctement. Le problème peut être un manque de cohérence avec la norme de l'équipement source (DVD, Boîtier décodeur, etc...). Si vous rencontrez un tel problème, veuillez contacter NEC Solutions (America), Inc. ainsi que le fabricant de l'équipement source.



# Tableau des signaux pris en charge par l'appareil

## Résolutions compatibles

• Quand le mode d'écran est NORMAL, tous les signaux sont convertis en signaux 1 024 points × 768 lignes. (Sauf pour \*2, 3, 4)

• Quand le mode d'écran est COMPLET, tous les signaux sont convertis en signaux 1 365 points × 768 lignes. (Sauf pour \*3)

### Signaux d'entrée ordinateur pris en charge par ce système

| Modèle                              | Points × lignes | Fréquence verticale (Hz) | Fréquence horizontale (kHz) | Polarité synchro |               | Présence    |           | Mode d'écran |                | SÉLECT RGB *5 | Memoire |
|-------------------------------------|-----------------|--------------------------|-----------------------------|------------------|---------------|-------------|-----------|--------------|----------------|---------------|---------|
|                                     |                 |                          |                             | Horizontale      | Verticale     | Horizontale | Verticale | NORMAL (4:3) | COMPLET (16:9) |               |         |
| NEC PC-9800                         | 640 × 400       | 70,1                     | 31,5                        | NEG              | NEG           | OUI         | OUI       | OUI*2        | OUI            | --            | 4       |
|                                     | 720 × 400       | 70,1                     | 31,5                        | NEG              | NEG           | OUI         | OUI       | --           | OUI            | 720 × 400     | 82      |
| Ordinateurs compatibles IBM PC/AT*8 | 640 × 480       | 59,9                     | 31,5                        | NEG              | NEG           | OUI         | OUI       | OUI          | OUI            | 640 × 480     | 5       |
|                                     |                 | 72,8                     | 37,9                        | NEG              | NEG           | OUI         | OUI       | OUI          | OUI            | --            | 7       |
|                                     |                 | 75,0                     | 37,5                        | NEG              | NEG           | OUI         | OUI       | OUI          | OUI            | 640 × 480     | 8       |
|                                     |                 | 85,0                     | 43,3                        | NEG              | NEG           | OUI         | OUI       | OUI          | OUI            | --            | 9       |
|                                     |                 | 100,4                    | 51,1                        | NEG              | NEG           | OUI         | OUI       | OUI          | OUI            | --            | 41      |
|                                     |                 | 120,4                    | 61,3                        | NEG              | NEG           | OUI         | OUI       | OUI          | OUI            | --            | 42      |
|                                     | 720 × 400       | 85,1                     | 37,9                        | NEG              | POS           | OUI         | OUI       | --           | OUI            | --            | 73      |
|                                     | 848 × 480       | 60,0                     | 31,0                        | POS              | POS           | OUI         | OUI       | --           | OUI            | 848 × 480     | 19      |
|                                     | 852 × 480*1     | 60,0                     | 31,7                        | NEG              | NEG           | OUI         | OUI       | --           | OUI            | 852 × 480     | 17      |
|                                     | 800 × 600       | 56,3                     | 35,2                        | POS              | POS           | OUI         | OUI       | OUI          | OUI            | 800 × 600     | 11      |
|                                     |                 | 60,3                     | 37,9                        | POS              | POS           | OUI         | OUI       | OUI          | OUI            | 800 × 600     | 12      |
|                                     |                 | 72,2                     | 48,1                        | POS              | POS           | OUI         | OUI       | OUI          | OUI            | --            | 13      |
|                                     |                 | 75,0                     | 46,9                        | POS              | POS           | OUI         | OUI       | OUI          | OUI            | --            | 14      |
|                                     |                 | 85,1                     | 53,7                        | POS              | POS           | OUI         | OUI       | OUI          | OUI            | --            | 15      |
|                                     |                 | 99,8                     | 63,0                        | POS              | POS           | OUI         | OUI       | OUI          | OUI            | --            | 43      |
|                                     |                 | 120,0                    | 75,7                        | POS              | POS           | OUI         | OUI       | OUI          | OUI            | --            | 44      |
|                                     | 1024 × 768      | 60,0                     | 48,4                        | NEG              | NEG           | OUI         | OUI       | OUI*3        | OUI            | 1024 × 768    | 24      |
|                                     |                 | 70,1                     | 56,5                        | NEG              | NEG           | OUI         | OUI       | OUI*3        | OUI            | --            | 25      |
|                                     |                 | 75,0                     | 60,0                        | POS              | POS           | OUI         | OUI       | OUI*3        | OUI            | 1024 × 768    | 26      |
|                                     |                 | 85,0                     | 68,7                        | POS              | POS           | OUI         | OUI       | OUI*3        | OUI            | --            | 27      |
|                                     |                 | 100,6                    | 80,5                        | NEG              | NEG           | OUI         | OUI       | OUI*3        | OUI            | --            | 45      |
|                                     | 1152 × 864      | 75,0                     | 67,5                        | POS              | POS           | OUI         | OUI       | OUI          | OUI            | 1152 × 864    | 51      |
|                                     | 1280 × 768      | 56,2                     | 45,1                        | POS              | POS           | OUI         | OUI       | --           | OUI            | 1280 × 768    | 52      |
|                                     |                 | 59,8                     | 48,0                        | POS              | NEG           | OUI         | OUI       | --           | OUI            | 1280 × 768    | 80      |
|                                     | 1280 × 768*9    | 69,8                     | 56,0                        | NEG              | POS           | OUI         | OUI       | --           | OUI            | 1280 × 768    | 66      |
|                                     | 1280 × 800*9    | 60,0                     | 49,7                        | NEG              | NEG           | OUI         | OUI       | --           | OUI            | 1280 × 800    | 21      |
|                                     | 1280 × 854*9    | 60,0                     | 53,1                        | NEG              | NEG           | OUI         | OUI       | --           | OUI            | 1280 × 854    | 37      |
|                                     | 1280 × 960      | 60,0                     | 60,0                        | POS              | POS           | OUI         | OUI       | OUI          | OUI            | --            | 63      |
|                                     | 1360 × 765      | 60,0                     | 47,7                        | POS              | POS           | OUI         | OUI       | --           | OUI*3          | 1360 × 765    | 22      |
|                                     | 1360 × 768      | 60,0                     | 47,7                        | POS              | POS           | OUI         | OUI       | --           | OUI*3          | 1360 × 768    | 22      |
|                                     | 1376 × 768      | 59,9                     | 48,3                        | NEG              | POS           | OUI         | OUI       | --           | OUI            | 1376 × 768    | 53      |
|                                     | 1280 × 1024     | 60,0                     | 64,0                        | POS              | POS           | OUI         | OUI       | OUI*4        | OUI            | 1280 × 1024   | 29      |
|                                     |                 | 75,0                     | 80,0                        | POS              | POS           | OUI         | OUI       | OUI*4        | OUI            | --            | 30      |
| 85,0                                |                 | 91,1                     | POS                         | POS              | OUI           | OUI         | OUI*4     | OUI          | --             | 40            |         |
| 100,1                               |                 | 108,5                    | POS                         | POS              | OUI           | OUI         | OUI*4     | OUI          | --             | 47            |         |
| 1680 × 1050*9                       | 60,0            | 65,3                     | NEG                         | NEG              | OUI           | OUI         | --        | OUI          | 1680 × 1050    | 38            |         |
| 1600 × 1200                         | 60,0            | 75,0                     | POS                         | POS              | OUI           | OUI         | OUI       | OUI          | --             | 54            |         |
|                                     | 65,0            | 81,3                     | POS                         | POS              | OUI           | OUI         | OUI       | OUI          | --             | 55            |         |
|                                     | 70,0            | 87,5                     | POS                         | POS              | OUI           | OUI         | OUI       | OUI          | --             | 56            |         |
|                                     | 75,0            | 93,8                     | POS                         | POS              | OUI           | OUI         | OUI       | OUI          | --             | 57            |         |
|                                     | 85,0            | 106,3                    | POS                         | POS              | OUI           | OUI         | OUI       | OUI          | --             | 58            |         |
| 1920 × 1200*9                       | 60,0            | 74,6                     | NEG                         | NEG              | OUI           | OUI         | --        | OUI          | 1920 × 1200    | 81            |         |
| 1920 × 1200RB*9                     | 60,0            | 74,0                     | NEG                         | NEG              | OUI           | OUI         | --        | OUI          | 1920 × 1200    | 88            |         |
| Apple Macintosh *6, 8               | 640 × 480       | 66,7                     | 35,0                        | Synchro sur V    | Synchro sur V | --          | --        | OUI          | OUI            | --            | 6       |
|                                     | 832 × 624       | 74,6                     | 49,7                        | Synchro sur V    | Synchro sur V | --          | --        | OUI          | OUI            | --            | 16      |
|                                     | 1024 × 768      | 74,9                     | 60,2                        | Synchro sur V    | Synchro sur V | --          | --        | OUI*3        | OUI            | 1024 × 768    | 28      |
|                                     | 1152 × 870      | 75,1                     | 68,7                        | Synchro sur V    | Synchro sur V | --          | --        | OUI          | OUI            | 1152 × 870    | 39      |
|                                     | 1440 × 900*9    | 60,0                     | 56,0                        | NEG              | NEG           | OUI         | OUI       | --           | OUI            | --            | 89      |
| Work Station (EWS4800)*8            | 1280 × 1024     | 60,0                     | 64,6                        | NEG              | NEG           | OUI         | OUI       | OUI*4        | OUI            | --            | 29      |
|                                     |                 | 71,2                     | 75,1                        | NEG              | NEG           | OUI         | OUI       | OUI*4        | OUI            | --            | 48      |
| Work Station (HP)*8                 | 1280 × 1024     | 72,0                     | 78,1                        | --               | --            | --          | --        | OUI*4        | OUI            | --            | 59      |
| Work Station (SUN)*8                | 1152 × 900      | 66,0                     | 61,8                        | Synchro C        | Synchro C     | --          | --        | OUI          | OUI            | --            | 60      |
|                                     |                 | 76,0                     | 71,7                        | Synchro C        | Synchro C     | --          | --        | OUI          | OUI            | --            | 61      |
|                                     | 1280 × 1024     | 76,1                     | 81,1                        | Synchro C        | Synchro C     | --          | --        | OUI*4        | OUI            | --            | 30      |

| Modèle<br>Type de signal | Points × lignes | Fréquence<br>verticale<br>(Hz) | Fréquence<br>horizontale<br>(kHz) | Polarité synchro |           | Présence    |           | Mode d'écran    |                   | SÉLECT<br>RGB *5 | Mémoire |
|--------------------------|-----------------|--------------------------------|-----------------------------------|------------------|-----------|-------------|-----------|-----------------|-------------------|------------------|---------|
|                          |                 |                                |                                   | Horizontale      | Verticale | Horizontale | Verticale | NORMAL<br>(4:3) | COMPLET<br>(16:9) |                  |         |
| Work Station<br>(SGL)    | 1024 × 768      | 60,0                           | 49,7                              | --               | --        | --          | --        | OUI*3           | OUI               | --               | 62      |
|                          | 1280 × 1024     | 60,0                           | 63,9                              | --               | --        | --          | --        | OUI*4           | OUI               | --               | 29      |
| IDC-3000G                |                 |                                |                                   |                  |           |             |           |                 |                   |                  |         |
| PAL625P                  | 768 × 576       | 50,0                           | 31,4                              | NEG              | NEG       | OUI         | OUI       | OUI*7           | OUI*7             | --               | 31      |
| NTSC525P                 | 640 × 480       | 59,9                           | 31,5                              | NEG              | NEG       | OUI         | OUI       | OUI*7           | OUI*7             | 640 × 480        | 32      |
|                          | 1152 × 864      | 60,0                           | 53,7                              | POS              | NEG       | OUI         | OUI       | OUI             | OUI               | 1152 × 864       | 84      |
|                          |                 | 72,0                           | 64,9                              | POS              | NEG       | OUI         | OUI       | OUI             | OUI               | --               | 85      |
|                          | 1400 × 1050     | 60,0                           | 65,3                              | NEG              | POS       | OUI         | OUI       | OUI             | OUI               | --               | 65      |
|                          |                 | 75,0                           | 82,3                              | NEG              | POS       | OUI         | OUI       | OUI             | OUI               | --               | 71      |
|                          |                 | 85,0                           | 93,9                              | NEG              | POS       | OUI         | OUI       | OUI             | OUI               | --               | 72      |

\*1 Uniquement en utilisant une carte graphique accélératrice capable d'afficher 852 × 480.

\*2 Ce signal est converti en un signal 1024 points × 640 lignes.

\*3 L'image est affichée dans la résolution originale.

\*4 Le ratio d'aspect est 5/4. Ce signal est converti en signal de 960 points × 768 lignes.

\*5 Normalement, le mode de sélection RGB pour les signaux d'entrée est automatiquement sélectionné. Si l'image n'est pas correctement affichée, activer le mode RGB préparé pour les signaux d'entrée indiqués dans le tableau ci-dessus.

\*6 Pour raccorder le moniteur à un ordinateur Macintosh, utiliser l'adaptateur de moniteur (D-Sub 15 broches) sur le port vidéo de l'ordinateur.

\*7 D'autres modes d'écran (ZOOM et STADIUM) sont également disponibles.

\*8 Quand un film cinéma est projeté à une fréquence verticale supérieure à 65 Hz, l'image risque d'être parfois instable (saute). Le cas échéant, réinitialiser la fréquence de rafraîchissement de l'appareil externe à 60 Hz.

\*9 Conforme à la norme CVT.

#### REMARQUE :

- Même si les signaux d'entrée sont conformes à la résolution indiquée dans le tableau ci-dessus, il pourra être nécessaire de régler la position et le format de l'image ou le piqué en raison d'erreurs de synchronisation de l'ordinateur.
- Lorsqu'un signal de 1 280 points × 1 024 lignes ou de 1 600 points × 1 200 lignes est reçu par le moniteur, l'image est compressée.
- Ce moniteur a une résolution de 1 365 points × 768 lignes. Il est recommandé d'utiliser un signal d'entrée XGA, wide-XGA ou équivalent.
- Avec des entrées numériques certains signaux ne sont pas acceptés.
- La synchronisation peut être perturbée quand des signaux non standard autres que ceux mentionnés ci-dessus sont entrés.
- Pour connecter un signal à composantes, utilisez la borne HD.

• "IBM PC/AT" et "XGA" sont des marques déposées de International Business Machines, Inc., U.S.A.

• "Apple Macintosh" est une marque déposée par Apple Computer, Inc. U.S.A.

# Información importante

## Advertencia

No utilizar en salas de ordenadores como se especifica en la Norma para la protección de equipos electrónicos de procesamiento de datos informáticos ANSI/NFPA 75.

Este equipo ha sido probado y se ha comprobado que cumple con los límites para un dispositivo digital de clase B, de acuerdo con la Parte 15 de las Reglas de FCC. Esos límites están concebidos para proveer una protección razonable contra interferencias perjudiciales en una instalación residencial. Este equipo genera, utiliza, y puede radiar energía de frecuencia de radio y, si no se instala y se utiliza de acuerdo con las instrucciones, puede causar interferencias perjudiciales a las comunicaciones de radio. Sin embargo, no hay ninguna garantía de que no ocurrirá interferencia en una instalación particular. Si este equipo causa interferencia perjudicial a la recepción de radio o televisión, que se puede determinar mediante el encendido y apagado del equipo, se recomienda al usuario que intente corregir la interferencia a través de una o más de las medidas siguientes:

- Reoriente o reubique la antena de recepción.
- Aumente la separación entre el equipo y el receptor.
- Conecte el equipo a una toma de corriente en un circuito diferente del cual el receptor está conectado.
- Consulte su revendedor o un técnico experimentado de radio /TV para ayuda.

Este aparato digital de clase B cumple con la norma Canadiense ICES-003.

### NOTA:

Cuando conecte un ordenador a este monitor, utilice un cable RGB que incluya el núcleo de ferrita en ambos extremos del cable. Y en cuanto al cable de alimentación, coloque los núcleos de ferrita suministrados. Si no hace esto, este monitor no cumplirá con los estándares del mandatorio FCC.

Coloque los centros de ferrita en ambos extremos del cable de alimentación (suministrado).

Utilice la cinta para fijar el centro de ferrita (suministrado) en el cable de alimentación.

Cable de alimentación (suministrado)



## Precaución

Este modelo es para uso sólo con los siguientes accesorios opcionales. Si se usa con otros accesorios opcionales puede ocasionarse inestabilidad dando lugar a posibles lesiones.

Nombre del fabricante: NEC Viewtechnology, Ltd.

Altavoces: PX-SP2U/S, PX-SP2U/B

Soporte: PX-ST1U, PX-ST1U/S, PX-ST2U

Contacte con NEC Solutions (America), Inc. para obtener los accesorios opcionales aprobados.



## Cómo deshacerse del producto utilizado

La legislación de la UE puesta en práctica en cada estado miembro requiere que los productos eléctricos y electrónicos que lleven la marca (izquierda) deben de deshacerse separadamente de la basura normal. Esto incluye monitores plasma y sus accesorios eléctricos. Cuando se deshaga de tales productos, siga los consejos de su autoridad local o pregunte en la tienda en la que adquirió el producto.

Después de recoger los productos utilizados, se vuelven a utilizar y a reciclar de forma adecuada. Este esfuerzo nos ayuda a reducir a un nivel mínimo los desechos, y también los impactos negativos a la salud humana y al medio ambiente.

La marca en los productos eléctricos y electrónicos se aplica sólo a los actuales estados miembros de la Unión Europea.



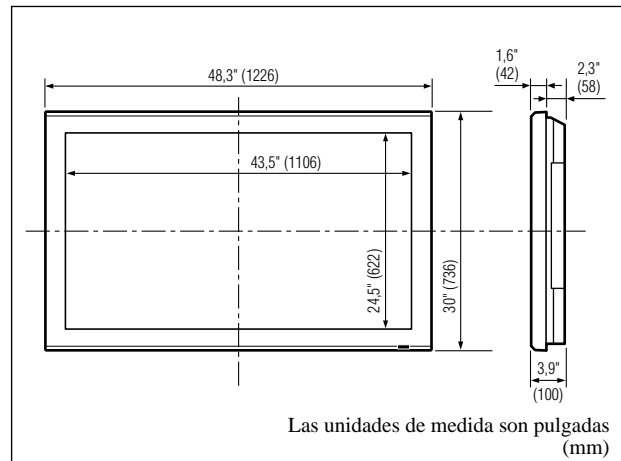
## PRECAUTION

Al deshacerse de las pilas usadas, hágalo conforme a las regulaciones gubernamentales o la normativa pública de instrucciones medioambientales que se apliquen en su país/localidad.

# Especificaciones

Para la operación del monitor de plasma, remítase al "Manual de funcionamiento".

|                                    |                                                                                                                                                                                                                                                                                                                                                                                                                                                                                                                                                                                                                                                                                      |
|------------------------------------|--------------------------------------------------------------------------------------------------------------------------------------------------------------------------------------------------------------------------------------------------------------------------------------------------------------------------------------------------------------------------------------------------------------------------------------------------------------------------------------------------------------------------------------------------------------------------------------------------------------------------------------------------------------------------------------|
| <b>Tamaño de la pantalla</b>       | 43,5" (H) × 24,5" (V) pulgadas<br>1106 (H) × 622 (V) mm<br>diagonal 50"                                                                                                                                                                                                                                                                                                                                                                                                                                                                                                                                                                                                              |
| <b>Proporción de la pantalla</b>   | 16 : 9                                                                                                                                                                                                                                                                                                                                                                                                                                                                                                                                                                                                                                                                               |
| <b>Resolución</b>                  | 1365(H) × 768(V) pixels                                                                                                                                                                                                                                                                                                                                                                                                                                                                                                                                                                                                                                                              |
| <b>Tamaño de pixel</b>             | 0,032"(H) × 0,032"(V) pulgadas<br>0,81(H) × 0,81(V) mm                                                                                                                                                                                                                                                                                                                                                                                                                                                                                                                                                                                                                               |
| <b>Procesamiento del color</b>     | 4.096 pasos, 68,7 billones de colores                                                                                                                                                                                                                                                                                                                                                                                                                                                                                                                                                                                                                                                |
| <b>Señales</b>                     |                                                                                                                                                                                                                                                                                                                                                                                                                                                                                                                                                                                                                                                                                      |
| Margen de sincronización           | Horizontal : 15,5 to 110,0 kHz<br>(automático: exploración de paso)<br>Vertical : 50,0 a 120,0 Hz<br>(automático: exploración de paso)                                                                                                                                                                                                                                                                                                                                                                                                                                                                                                                                               |
| Señales de entrada                 | RGB, NTSC (3.58/4.43), PAL (B,G,M,N), PAL60, SECAM, HD*1, DVD*1                                                                                                                                                                                                                                                                                                                                                                                                                                                                                                                                                                                                                      |
| <b>Terminales de entrada</b>       |                                                                                                                                                                                                                                                                                                                                                                                                                                                                                                                                                                                                                                                                                      |
| <b>PC/RGB</b>                      |                                                                                                                                                                                                                                                                                                                                                                                                                                                                                                                                                                                                                                                                                      |
| Visual 1 (Análogo)                 | mini D-sub 15-pin × 1                                                                                                                                                                                                                                                                                                                                                                                                                                                                                                                                                                                                                                                                |
| <b>Video</b>                       |                                                                                                                                                                                                                                                                                                                                                                                                                                                                                                                                                                                                                                                                                      |
| Visual 1                           | RCA-pin × 1                                                                                                                                                                                                                                                                                                                                                                                                                                                                                                                                                                                                                                                                          |
| Visual 2                           | S- Video: DIN 4-pin × 1                                                                                                                                                                                                                                                                                                                                                                                                                                                                                                                                                                                                                                                              |
| <b>DVD/HD</b>                      |                                                                                                                                                                                                                                                                                                                                                                                                                                                                                                                                                                                                                                                                                      |
| Visual 1                           | RCA-pin (Y, Cb/Pb, Cr/Pr) × 1*1                                                                                                                                                                                                                                                                                                                                                                                                                                                                                                                                                                                                                                                      |
| Visual 2                           | RCA-pin (Y, Cb/Pb, Cr/Pr) × 1*1                                                                                                                                                                                                                                                                                                                                                                                                                                                                                                                                                                                                                                                      |
| HDMI                               | conectores HDMI × 2*2                                                                                                                                                                                                                                                                                                                                                                                                                                                                                                                                                                                                                                                                |
| <b>Audio</b>                       | Estéreo RCA × 3 (seleccionable)                                                                                                                                                                                                                                                                                                                                                                                                                                                                                                                                                                                                                                                      |
| <b>External Control</b>            | D-sub 9-pin × 1 (RS-232C)                                                                                                                                                                                                                                                                                                                                                                                                                                                                                                                                                                                                                                                            |
| <b>Salida de sonido</b>            | 9W+9W de 6 ohmios                                                                                                                                                                                                                                                                                                                                                                                                                                                                                                                                                                                                                                                                    |
| <b>Alimentación</b>                | CA 100-240 V (50/60 Hz)                                                                                                                                                                                                                                                                                                                                                                                                                                                                                                                                                                                                                                                              |
| <b>Amperaje nominal</b>            | 7.6 A (máximo)                                                                                                                                                                                                                                                                                                                                                                                                                                                                                                                                                                                                                                                                       |
| <b>Consumo de energía</b>          | 435W (típico)                                                                                                                                                                                                                                                                                                                                                                                                                                                                                                                                                                                                                                                                        |
| <b>Dimensiones</b>                 | 48,3 (A) × 30 (AI) × 3,9 (F) pulgadas<br>1226 (A) × 736 (AI) × 100(F) mm                                                                                                                                                                                                                                                                                                                                                                                                                                                                                                                                                                                                             |
| <b>Peso</b>                        | 97 lbs / 44 kg (sin base)                                                                                                                                                                                                                                                                                                                                                                                                                                                                                                                                                                                                                                                            |
| <b>Consideraciones ambientales</b> |                                                                                                                                                                                                                                                                                                                                                                                                                                                                                                                                                                                                                                                                                      |
| Temperatura de uso                 | 0°C a 40°C / 32°F a 104°F                                                                                                                                                                                                                                                                                                                                                                                                                                                                                                                                                                                                                                                            |
| Humedad                            | 20 a 80% (sin condensación)                                                                                                                                                                                                                                                                                                                                                                                                                                                                                                                                                                                                                                                          |
| Altitud                            | 720 a 1114 hPa<br>(0 a 9.180 pies / 0 a 2.800 m)                                                                                                                                                                                                                                                                                                                                                                                                                                                                                                                                                                                                                                     |
| Temperatura de almacenaje          | -10°C a 50°C / 14°F a 122°F                                                                                                                                                                                                                                                                                                                                                                                                                                                                                                                                                                                                                                                          |
| Humedad                            | 10 a 90% (sin condensación)                                                                                                                                                                                                                                                                                                                                                                                                                                                                                                                                                                                                                                                          |
| Altitud                            | 700 a 1114 hPa<br>(0 a 9.840 pies / 0 a 3.000 m)                                                                                                                                                                                                                                                                                                                                                                                                                                                                                                                                                                                                                                     |
| <b>Otras características</b>       | Convertidor de exploración 3D de movimiento compensado (NTSC, PAL, 480I, 576I, 525I, 625I, 1035I, 1080I), convertidor pull down 2-3 (NTSC, 480I, 525I, 1035I, 1080I (60Hz)), convertidor pull down 2-2 (PAL, 576I, 625I, NTSC, 480I, 525I), función de zoom digital (100-900% seleccionable), autodiagnóstico, prevención de quemado de imagen (PLE, ORBITADOR, INVERSO, BLANCO, SCREEN WIPER), selección de temperatura del color (alto / medio / medio/b / bajo, 4 memoria para el usuario), imagen automática, salto de entrada, tonalidad de color (3 modos), corrección gamma (4 modos), conexión y reproducción (DDC1, DDC2b, HDMI: E-DDC), Funcionamiento de la MULTIPANTALLA |
| <b>Regulaciones</b>                | UL 60065, CAN/CSA-C22.2 No.60065-03, FCC clase B, ICES-003 clase B                                                                                                                                                                                                                                                                                                                                                                                                                                                                                                                                                                                                                   |



Las características y especificaciones están sujetas a cambios sin previo aviso.

## \*1 Señales de entrada DVD/HD aceptadas por este sistema.

|               |               |               |
|---------------|---------------|---------------|
| 480P (60 Hz)  | 480I (60 Hz)  | 525P (60 Hz)  |
| 525I (60 Hz)  | 576P (50 Hz)  | 576I (50 Hz)  |
| 625P (50 Hz)  | 625I (50 Hz)  | 720P (60 Hz)  |
| 720P (50 Hz)  | 1035I (60 Hz) | 1080I (50 Hz) |
| 1080I (60 Hz) | 1080P (50 Hz) | 1080P (60 Hz) |

## \*2 Señales de entrada HDMI soportadas en este sistema.

### Señales respaldadas

- 640 × 480P @ 59,94/60Hz
- 1280 × 720P @ 59,94/60Hz
- 1920 × 1080I @ 59,94/60Hz
- 720 × 480P @ 59,94/60Hz
- 1440 (720) × 480I @ 59,94/60Hz
- 1920 × 1080I @ 50Hz
- 720 × 576P @ 50Hz
- 1440 (720) × 576I @ 50Hz
- 1280 × 720P @ 50Hz

**Nota:** En algunos casos es posible que no se visualice apropiadamente una señal en el monitor de plasma. El problema puede ser una inconsistencia con los estándares del equipo fuente (DVD, decodificador superior, etc.). Si se le presenta este problema, póngase en contacto con NEC Solutions (America), Inc. y también con el fabricante del equipo fuente.

# Tabla de las Señales Soportadas

## Resolución posible

- Cuando el modo de la pantalla sea NORMAL, cada señal será convertida en una señal de 1.024 puntos × 768 líneas. (Excepto para \*2,3,4)
- Cuando el modo de la pantalla sea FULL, cada señal se convertirá en una señal de 1.365 puntos × 768 líneas. (Excepto para \*3)

## Señales de entrada de ordenador soportadas por este sistema

| Modelo                                  | Puntos × líneas | Frecuencia vertical (Hz) | Frecuencia horizontal (kHz) | Polaridad de sincronización |                     | Presencia  |          | Modo de pantalla |             | Selección de RGB*5 | Memoria |
|-----------------------------------------|-----------------|--------------------------|-----------------------------|-----------------------------|---------------------|------------|----------|------------------|-------------|--------------------|---------|
|                                         |                 |                          |                             | Horizontal                  | Vertical            | Horizontal | Vertical | NORMAL (4:3)     | FULL (16:9) |                    |         |
| NEC PC-9800                             | 640 × 400       | 70,1                     | 31,5                        | NEG.                        | NEG.                | SÍ         | SÍ       | SÍ*2             | SÍ          | --                 | 4       |
|                                         | 720 × 400       | 70,1                     | 31,5                        | NEG.                        | NEG.                | SÍ         | SÍ       | --               | SÍ          | 720 × 400          | 82      |
| Ordenadores compatibles con IBM PC/AT*8 | 640 × 480       | 59,9                     | 31,5                        | NEG.                        | NEG.                | SÍ         | SÍ       | SÍ               | SÍ          | 640 × 480          | 5       |
|                                         |                 | 72,8                     | 37,9                        | NEG.                        | NEG.                | SÍ         | SÍ       | SÍ               | SÍ          | --                 | 7       |
|                                         |                 | 75,0                     | 37,5                        | NEG.                        | NEG.                | SÍ         | SÍ       | SÍ               | SÍ          | 640 × 480          | 8       |
|                                         |                 | 85,0                     | 43,3                        | NEG.                        | NEG.                | SÍ         | SÍ       | SÍ               | SÍ          | --                 | 9       |
|                                         |                 | 100,4                    | 51,1                        | NEG.                        | NEG.                | SÍ         | SÍ       | SÍ               | SÍ          | --                 | 41      |
|                                         |                 | 120,4                    | 61,3                        | NEG.                        | NEG.                | SÍ         | SÍ       | SÍ               | SÍ          | --                 | 42      |
|                                         | 720 × 400       | 85,1                     | 37,9                        | NEG.                        | POS.                | SÍ         | SÍ       | --               | SÍ          | --                 | 73      |
|                                         | 848 × 480       | 60,0                     | 31,0                        | POS.                        | POS.                | SÍ         | SÍ       | --               | SÍ          | 848 × 480          | 19      |
|                                         | 852 × 480*1     | 60,0                     | 31,7                        | NEG.                        | NEG.                | SÍ         | SÍ       | --               | SÍ          | 852 × 480          | 17      |
|                                         | 800 × 600       | 56,3                     | 35,2                        | POS.                        | POS.                | SÍ         | SÍ       | SÍ               | SÍ          | 800 × 600          | 11      |
|                                         |                 | 60,3                     | 37,9                        | POS.                        | POS.                | SÍ         | SÍ       | SÍ               | SÍ          | 800 × 600          | 12      |
|                                         |                 | 72,2                     | 48,1                        | POS.                        | POS.                | SÍ         | SÍ       | SÍ               | SÍ          | --                 | 13      |
|                                         |                 | 75,0                     | 46,9                        | POS.                        | POS.                | SÍ         | SÍ       | SÍ               | SÍ          | --                 | 14      |
|                                         |                 | 85,1                     | 53,7                        | POS.                        | POS.                | SÍ         | SÍ       | SÍ               | SÍ          | --                 | 15      |
|                                         |                 | 99,8                     | 63,0                        | POS.                        | POS.                | SÍ         | SÍ       | SÍ               | SÍ          | --                 | 43      |
|                                         | 1024 × 768      | 120,0                    | 75,7                        | POS.                        | POS.                | SÍ         | SÍ       | SÍ               | SÍ          | --                 | 44      |
|                                         |                 | 60,0                     | 48,4                        | NEG.                        | NEG.                | SÍ         | SÍ       | SÍ*3             | SÍ          | 1024 × 768         | 24      |
|                                         |                 | 70,1                     | 56,5                        | NEG.                        | NEG.                | SÍ         | SÍ       | SÍ*3             | SÍ          | --                 | 25      |
|                                         |                 | 75,0                     | 60,0                        | POS.                        | POS.                | SÍ         | SÍ       | SÍ*3             | SÍ          | 1024 × 768         | 26      |
|                                         |                 | 85,0                     | 68,7                        | POS.                        | POS.                | SÍ         | SÍ       | SÍ*3             | SÍ          | --                 | 27      |
|                                         | 1152 × 864      | 100,6                    | 80,5                        | NEG.                        | NEG.                | SÍ         | SÍ       | SÍ*3             | SÍ          | --                 | 45      |
|                                         |                 | 75,0                     | 67,5                        | POS.                        | POS.                | SÍ         | SÍ       | SÍ               | SÍ          | 1152 × 864         | 51      |
|                                         | 1280 × 768      | 56,2                     | 45,1                        | POS.                        | POS.                | SÍ         | SÍ       | --               | SÍ          | 1280 × 768         | 52      |
|                                         |                 | 59,8                     | 48,0                        | POS.                        | NEG.                | SÍ         | SÍ       | --               | SÍ          | 1280 × 768         | 80      |
|                                         | 1280 × 768*9    | 69,8                     | 56,0                        | NEG.                        | POS.                | SÍ         | SÍ       | --               | SÍ          | 1280 × 768         | 66      |
|                                         | 1280 × 800*9    | 60,0                     | 49,7                        | NEG.                        | NEG.                | SÍ         | SÍ       | --               | SÍ          | 1280 × 800         | 21      |
|                                         | 1280 × 854*9    | 60,0                     | 53,1                        | NEG.                        | NEG.                | SÍ         | SÍ       | --               | SÍ          | 1280 × 854         | 37      |
|                                         | 1280 × 960      | 60,0                     | 60,0                        | POS.                        | POS.                | SÍ         | SÍ       | SÍ               | SÍ          | --                 | 63      |
|                                         | 1360 × 765      | 60,0                     | 47,7                        | POS.                        | POS.                | SÍ         | SÍ       | --               | SÍ*3        | 1360 × 765         | 22      |
|                                         | 1360 × 768      | 60,0                     | 47,7                        | POS.                        | POS.                | SÍ         | SÍ       | --               | SÍ*3        | 1360 × 768         | 22      |
|                                         | 1376 × 768      | 59,9                     | 48,3                        | NEG.                        | POS.                | SÍ         | SÍ       | --               | SÍ          | 1376 × 768         | 53      |
|                                         | 1280 × 1024     | 60,0                     | 64,0                        | POS.                        | POS.                | SÍ         | SÍ       | SÍ*4             | SÍ          | 1280 × 1024        | 29      |
|                                         |                 | 75,0                     | 80,0                        | POS.                        | POS.                | SÍ         | SÍ       | SÍ*4             | SÍ          | --                 | 30      |
| 85,0                                    |                 | 91,1                     | POS.                        | POS.                        | SÍ                  | SÍ         | SÍ*4     | SÍ               | --          | 40                 |         |
| 100,1                                   |                 | 108,5                    | POS.                        | POS.                        | SÍ                  | SÍ         | SÍ*4     | SÍ               | --          | 47                 |         |
| 1680 × 1050*9                           | 60,0            | 65,3                     | NEG.                        | NEG.                        | SÍ                  | SÍ         | --       | SÍ               | 1680 × 1050 | 38                 |         |
| 1600 × 1200                             | 60,0            | 75,0                     | POS.                        | POS.                        | SÍ                  | SÍ         | SÍ       | SÍ               | --          | 54                 |         |
|                                         | 65,0            | 81,3                     | POS.                        | POS.                        | SÍ                  | SÍ         | SÍ       | SÍ               | --          | 55                 |         |
|                                         | 70,0            | 87,5                     | POS.                        | POS.                        | SÍ                  | SÍ         | SÍ       | SÍ               | --          | 56                 |         |
|                                         | 75,0            | 93,8                     | POS.                        | POS.                        | SÍ                  | SÍ         | SÍ       | SÍ               | --          | 57                 |         |
|                                         | 85,0            | 106,3                    | POS.                        | POS.                        | SÍ                  | SÍ         | SÍ       | SÍ               | --          | 58                 |         |
| 1920 × 1200*9                           | 60,0            | 74,6                     | NEG.                        | NEG.                        | SÍ                  | SÍ         | --       | SÍ               | 1920 × 1200 | 81                 |         |
| 1920 × 1200RB*9                         | 60,0            | 74,0                     | NEG.                        | NEG.                        | SÍ                  | SÍ         | --       | SÍ               | 1920 × 1200 | 88                 |         |
| Apple Macintosh*6,8                     | 640 × 480       | 66,7                     | 35,0                        | Sincronización en G         | Sincronización en G | --         | --       | SÍ               | SÍ          | --                 | 6       |
|                                         | 832 × 624       | 74,6                     | 49,7                        | Sincronización en G         | Sincronización en G | --         | --       | SÍ               | SÍ          | --                 | 16      |
|                                         | 1024 × 768      | 74,9                     | 60,2                        | Sincronización en G         | Sincronización en G | --         | --       | SÍ*3             | SÍ          | 1024 × 768         | 28      |
|                                         | 1152 × 870      | 75,1                     | 68,7                        | Sincronización en G         | Sincronización en G | --         | --       | SÍ               | SÍ          | 1152 × 870         | 39      |
|                                         | 1440 × 900*9    | 60,0                     | 56,0                        | NEG.                        | NEG.                | SÍ         | SÍ       | --               | SÍ          | --                 | 89      |
| Estación de trabajo (EWS4800)*8         | 1280 × 1024     | 60,0                     | 64,6                        | NEG.                        | NEG.                | SÍ         | SÍ       | SÍ*4             | SÍ          | --                 | 29      |
|                                         |                 | 71,2                     | 75,1                        | NEG.                        | NEG.                | SÍ         | SÍ       | SÍ*4             | SÍ          | --                 | 48      |
| Estación de trabajo (HP)*8              | 1280 × 1024     | 72,0                     | 78,1                        | --                          | --                  | --         | --       | SÍ*4             | SÍ          | --                 | 59      |
| Estación de trabajo (SUN)*8             | 1152 × 900      | 66,0                     | 61,8                        | Sincronización C            | Sincronización C    | --         | --       | SÍ               | SÍ          | --                 | 60      |
|                                         |                 | 76,0                     | 71,7                        | Sincronización C            | Sincronización C    | --         | --       | SÍ               | SÍ          | --                 | 61      |
|                                         | 1280 × 1024     | 76,1                     | 81,1                        | Sincronización C            | Sincronización C    | --         | --       | SÍ*4             | SÍ          | --                 | 30      |

| Modelo                    | Puntos × líneas | Frecuencia vertical (Hz) | Frecuencia horizontal (kHz) | Polaridad de sincronización |          | Presencia  |          | Modo de pantalla |             | Selección de RGB*5 | Memoria |    |
|---------------------------|-----------------|--------------------------|-----------------------------|-----------------------------|----------|------------|----------|------------------|-------------|--------------------|---------|----|
|                           |                 |                          |                             | Horizontal                  | Vertical | Horizontal | Vertical | NORMAL (4:3)     | FULL (16:9) |                    |         |    |
| Estación de trabajo (SGI) | 1024 × 768      | 60,0                     | 49,7                        | --                          | --       | --         | --       | SÍ*3             | SÍ          | --                 | 62      |    |
|                           | 1280 × 1024     | 60,0                     | 63,9                        | --                          | --       | --         | --       | SÍ*4             | SÍ          | --                 | 29      |    |
| IDC-3000G                 |                 |                          |                             |                             |          |            |          |                  |             |                    |         |    |
| PAL625P                   | 768 × 576       | 50,0                     | 31,4                        | NEG.                        | NEG.     | SÍ         | SÍ       | SÍ*7             | SÍ*7        | --                 | 31      |    |
| NTSC525P                  | 640 × 480       | 59,9                     | 31,5                        | NEG.                        | NEG.     | SÍ         | SÍ       | SÍ*7             | SÍ*7        | 640 × 480          | 32      |    |
|                           | 1152 × 864      | 60,0                     | 53,7                        | POS.                        | NEG.     | SÍ         | SÍ       | SÍ               | SÍ          | 1152 × 864         | 84      |    |
|                           |                 | 72,0                     | 64,9                        | POS.                        | NEG.     | SÍ         | SÍ       | SÍ               | SÍ          | --                 | 85      |    |
|                           | 1400 × 1050     | 60,0                     | 65,3                        | NEG.                        | POS.     | SÍ         | SÍ       | SÍ               | SÍ          | --                 | 65      |    |
|                           |                 | 75,0                     | 82,3                        | NEG.                        | POS.     | SÍ         | SÍ       | SÍ               | SÍ          | --                 | 71      |    |
|                           |                 | 85,0                     | 85,0                        | 93,9                        | NEG.     | POS.       | SÍ       | SÍ               | SÍ          | SÍ                 | --      | 72 |
|                           |                 |                          |                             |                             |          |            |          |                  |             |                    |         |    |

\*1 Sólo al utilizar una tarjeta aceleradora de gráficos que sea capaz de proyectar imágenes en 852 × 480.

\*2 Esta señal se convierte en señal de 1.024 puntos × 640 líneas.

\*3 La imagen se visualiza con la resolución original.

\*4 La relación de aspecto es 5:4. Esta señal es convertida en una señal de 960 puntos × 768 líneas.

\*5 Normalmente el modo de selección RGB adecuado para las señales de entrada se ajusta automáticamente. Si la imagen no se visualiza adecuadamente, establezca el modo RGB preparado para las señales de entrada listadas en la tabla de abajo.

\*6 Para conectar el monitor a un ordenador Macintosh, conecte el adaptador de monitor (D-Sub de 15 pines) al puerto de vídeo del ordenador.

\*7 También se encuentran disponibles otros modos de pantalla (ZOOM y STADIUM).

\*8 Cuando vea una imagen en movimiento con una frecuencia vertical superior a 65 Hz, la imagen podrá ser algunas veces inestable (salta). Si ocurre esto, ajuste la frecuencia de regeneración del equipo externo a 60 Hz.

\*9 De conformidad con el estándar CVT.

**NOTA:**

- Mientras que las señales de entrada cumplan con la resolución listada en la tabla de arriba, tal vez tenga que ajustar las posiciones y el tamaño de la imagen o la imagen fija debido a errores de sincronización de su ordenador.
- Cuando se introduzca en el monitor una señal de 1.280 puntos × 1.024 líneas o 1.600 puntos × 1.200 líneas, la imagen se comprimirá.
- Este monitor tiene una resolución de 1.365 puntos × 768 líneas. Se recomienda que la señal de entrada sea XGA, XGA panorámica o equivalente.
- Cuando se utilizan entradas digitales, algunas señales no son aceptadas.
- La sincronización puede verse afectada con la entrada de señales no estándar distintas de las anteriormente mencionadas.
- Al conectar una señal de sincronización compuesta, utilice el terminal HD.

- “IBM PC/AT” y “XGA” son marcas registradas de International Business Machines, Inc. de los Estados Unidos.
- “Apple Macintosh” es una marca registrada de Apple Computer, Inc. de los Estados Unidos.

# Informação importante

## Aviso

Não é para utilização numa sala de computador como definido no Padrão ANSI/NFPA 75 para a protecção de computador eletrônico/equipamento de processamento de dados.

Este equipamento foi testado e cumpre os limites de um equipamento de digital de Classe B, de acordo com a Parte 15 da regras FCC. Estes limites foram concebidos para fornecer protecção razoável contra interferência prejudicial numa instalação residencial. Este equipamento gera, utiliza e gera frequências rádio e, se não for instalado e utilizado de acordo com as instruções, pode causar interferências perigosas às comunicações rádio. No entanto, não existe a garantia que a interferência não ocorra numa instalação particular. Se este equipamento não causar interferência perigosa à recepção de rádio ou televisão, o que pode ser determinado ligando e desligando o equipamento, o usuário é encorajado a tentar corrigir a interferência por uma ou mais das seguintes medidas:

- Reorientar ou recolocar a antena de recepção.
- Aumentar a separação entre o equipamento e o receptor.
- Ligar o equipamento a uma tomada num circuito diferente do qual o receptor está ligado.
- Consulte o distribuidor ou um técnico especializado de TV/rádio para obter ajuda.

Este aparelho digital Classe B atende às normas ICES-003 do Canadá.

## Atenção

Este modelo deve ser utilizado apenas com os seguintes acessórios opcionais. A utilização com outros acessórios opcionais pode causar instabilidade, e resultar em lesões.

Nome do fabricante: NEC Viewtechnology, Ltd.

Alto-falantes: PX-SP2U/S, PX-SP2U/B

Suporte: PX-ST1U, PX-ST1U/S, PX-ST2U

Contate a NEC Solutions (America), Inc. para informações acerca dos acessórios opcionais.



## Descartar-se do seu produto utilizado

A legislação da UE está implementada e cada estado membro exige que os produtos elétricos usados com a marca (deixada) devem ser descartados separadamente do lixo doméstico normal. Isto inclui monitores plasma e os seus acessórios elétricos. Quando se desfaz de tais produtos, siga as orientações da autoridade local e/ou informe-se junto da loja onde adquiriu o produto.

Após a recolha dos objetos, estes são reutilizados e reciclados de uma forma correta. Este esforço irá ajudar-nos a reduzir os desperdícios bem como o impacto negativo para a saúde pública e o ambiente no nível mínimo. A marca nos produtos elétricos e eletrônicos apenas se aplica aos Estados Membros da União Europeia.

## NOTA:

Quando ligar um computador a este monitor, utilize um cabo RGB incluindo os terminais de ferrita em ambas as extremidades do cabo. Em relação ao cabo de corrente, ligue os centros de ferrita fornecidos. Se não proceder assim, este monitor não irá obedecer aos padrões FCC. Coloque os centros de ferrita nas extremidades do cabo de energia (fornecido).

Usar a fita para prender o núcleo de ferrite (fornecido) ao cabo de energia.

Cabo de corrente (fornecido)



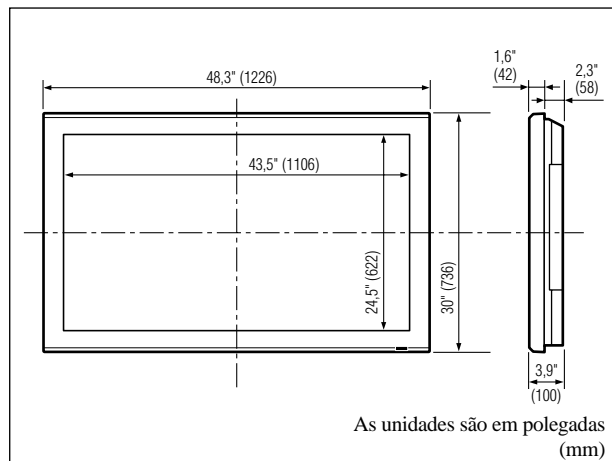
## ⚠ ATENÇÃO

Quando se estiver a desfazer das baterias usadas, obedeça aos regulamentos governamentais ou regras de de instruções públicas ambientais que se aplicam no seu país/ área.

# Especificações

Para as operações de seu monitor plasma, consulte "Manual de operação".

|                                        |                                                                                                                                                                                                                                                                                                                                                                                                                                                                                                                                                                                                                                                       |
|----------------------------------------|-------------------------------------------------------------------------------------------------------------------------------------------------------------------------------------------------------------------------------------------------------------------------------------------------------------------------------------------------------------------------------------------------------------------------------------------------------------------------------------------------------------------------------------------------------------------------------------------------------------------------------------------------------|
| <b>Tamanho do écran</b>                | 43,5"(H) × 24,5"(V) polegadas<br>1106(H) × 622(V) mm<br>diagonal 50"                                                                                                                                                                                                                                                                                                                                                                                                                                                                                                                                                                                  |
| <b>Relação alt./larg.</b>              | 16 : 9                                                                                                                                                                                                                                                                                                                                                                                                                                                                                                                                                                                                                                                |
| <b>Resolução</b>                       | 1365(H) × 768(V) pixels                                                                                                                                                                                                                                                                                                                                                                                                                                                                                                                                                                                                                               |
| <b>Pixel Pitch</b>                     | 0,032"(H) × 0,032"(V) polegadas<br>0,81(H) × 0,81(V) mm                                                                                                                                                                                                                                                                                                                                                                                                                                                                                                                                                                                               |
| <b>Processamento de cores</b>          | 4,096 passos, 68,7 bilhões de cores                                                                                                                                                                                                                                                                                                                                                                                                                                                                                                                                                                                                                   |
| <b>Sinais</b>                          |                                                                                                                                                                                                                                                                                                                                                                                                                                                                                                                                                                                                                                                       |
| Alcance de sincronização               | Horizontal : 15,5 a 110,0 kHz<br>(automático : pesquisa por passo)<br>Vertical : 50,0 a 120,0 Hz<br>(automático pesquisa por passo)                                                                                                                                                                                                                                                                                                                                                                                                                                                                                                                   |
| Sinais de entrada                      | RGB, NTSC (3,58/4,43),<br>PAL (B,G,M,N), PAL60, SECAM,<br>HD*1, DVD*1                                                                                                                                                                                                                                                                                                                                                                                                                                                                                                                                                                                 |
| <b>Terminais de entrada</b>            |                                                                                                                                                                                                                                                                                                                                                                                                                                                                                                                                                                                                                                                       |
| <b>PC/RGB</b>                          |                                                                                                                                                                                                                                                                                                                                                                                                                                                                                                                                                                                                                                                       |
| Visual 1 (Análogo)                     | mini D-sub 15-pinos × 1                                                                                                                                                                                                                                                                                                                                                                                                                                                                                                                                                                                                                               |
| <b>Vídeo</b>                           |                                                                                                                                                                                                                                                                                                                                                                                                                                                                                                                                                                                                                                                       |
| Visual 1                               | Pino RCA × 1                                                                                                                                                                                                                                                                                                                                                                                                                                                                                                                                                                                                                                          |
| Visual 2                               | S-Vídeo: DIN 4 pinos × 1                                                                                                                                                                                                                                                                                                                                                                                                                                                                                                                                                                                                                              |
| <b>DVD/HD</b>                          |                                                                                                                                                                                                                                                                                                                                                                                                                                                                                                                                                                                                                                                       |
| Visual 1                               | Pino RCA (Y, Cb/Pb, Cr/Pr) × 1*1                                                                                                                                                                                                                                                                                                                                                                                                                                                                                                                                                                                                                      |
| Visual 2                               | Pino RCA (Y, Cb/Pb, Cr/Pr) × 1*1                                                                                                                                                                                                                                                                                                                                                                                                                                                                                                                                                                                                                      |
| HDMI                                   | Conector HDMI × 2*2                                                                                                                                                                                                                                                                                                                                                                                                                                                                                                                                                                                                                                   |
| <b>Áudio</b>                           | RCA Stereo × 3 (Selecionável)                                                                                                                                                                                                                                                                                                                                                                                                                                                                                                                                                                                                                         |
| <b>Controle externo</b>                | D-sub 9-pinos 1(RS-232C)                                                                                                                                                                                                                                                                                                                                                                                                                                                                                                                                                                                                                              |
| <b>Saída de som</b>                    | 9W+9W a 6 ohm                                                                                                                                                                                                                                                                                                                                                                                                                                                                                                                                                                                                                                         |
| <b>Fonte de alimentação de energia</b> | AC100-240V 50/60Hz                                                                                                                                                                                                                                                                                                                                                                                                                                                                                                                                                                                                                                    |
| <b>Taxa atual</b>                      | 7,6A (máximo)                                                                                                                                                                                                                                                                                                                                                                                                                                                                                                                                                                                                                                         |
| <b>Consumo de energia</b>              | 435W (normal)                                                                                                                                                                                                                                                                                                                                                                                                                                                                                                                                                                                                                                         |
| <b>Dimensões</b>                       | 48,3 (L) × 30 (A) × 3,9 (P) polegadas<br>1226 (L) × 736 (A) × 100(P) mm                                                                                                                                                                                                                                                                                                                                                                                                                                                                                                                                                                               |
| <b>Peso</b>                            | 97 lbs / 44 kg (sem suporte)                                                                                                                                                                                                                                                                                                                                                                                                                                                                                                                                                                                                                          |
| <b>Considerações ambientais</b>        |                                                                                                                                                                                                                                                                                                                                                                                                                                                                                                                                                                                                                                                       |
| Temperatura de funcionamento           | 0°C a 40°C / 32°F a 104°F                                                                                                                                                                                                                                                                                                                                                                                                                                                                                                                                                                                                                             |
| Umidade                                | 20 a 80% (sem condensação)                                                                                                                                                                                                                                                                                                                                                                                                                                                                                                                                                                                                                            |
| Altitude                               | 720 a 1114 hPa<br>(0 a 9180 pés / 0 a 2800 m)                                                                                                                                                                                                                                                                                                                                                                                                                                                                                                                                                                                                         |
| Temperatura de armazenamento           | -10°C a 50°C / 14°F a 122°F                                                                                                                                                                                                                                                                                                                                                                                                                                                                                                                                                                                                                           |
| Umidade                                | 10 a 90% (sem condensação)                                                                                                                                                                                                                                                                                                                                                                                                                                                                                                                                                                                                                            |
| Altitude                               | 700 a 1114 hPa<br>(0 a 9840 pés / 0 a 3000 m)                                                                                                                                                                                                                                                                                                                                                                                                                                                                                                                                                                                                         |
| <b>Outras características</b>          | Compensação de movimento 3D Conversão de pesquisa 3D (NTSC, PAL, 480I, 576I, 525I, 625I, 1035I, 1080I), Conversor 2-3 (NTSC, 480I, 525I, 1035I, 1080I (60Hz)), Conversor 2-2 (PAL, 576I, 625I, NTSC, 480I, 525I), Função de zoom digital (Selecionável 100-900%), Auto-diagnóstico, Ferramentas de redução de imagens queimadas (PICO DE BRILHO, ROTAÇÃO, INVERTER, BRANCO, VARRER ÉCRAN), Seleção da temperatura da cor (baixo/med. baixo/médio/alto, o usuário tem 4 memórias), Auto Imagem, Saltar introdução, Acerto de cores, Tom baixo (modo 3), Correção Gamma (modo 4), Plug and play (DDC1, DDC2b, HDMI: E-DDC), Operações para dividir tela |
| <b>Classificação</b>                   | UL 60065, CAN/CSA-C22.2 No.60065-03, FCC class B, ICES-003 class B                                                                                                                                                                                                                                                                                                                                                                                                                                                                                                                                                                                    |



As características e especificações podem estar sujeitas a alterações sem aviso prévio.

## \*1 Sinais de entrada suportados neste sistema DVD/HD.

|               |               |               |
|---------------|---------------|---------------|
| 480P (60 Hz)  | 480I (60 Hz)  | 525P (60 Hz)  |
| 525I (60 Hz)  | 576P (50 Hz)  | 576I (50 Hz)  |
| 625P (50 Hz)  | 625I (50 Hz)  | 720P (60 Hz)  |
| 720P (50 Hz)  | 1035I (60 Hz) | 1080I (50 Hz) |
| 1080I (60 Hz) | 1080P (50 Hz) | 1080P (60 Hz) |

## \*2 Sinais de entrada HDMI suportados neste sistema.

### Sinais suportados

- 640 × 480P @ 59,94/60Hz
- 1280 × 720P @ 59,94/60Hz
- 1920 × 1080I @ 59,94/60Hz
- 720 × 480P @ 59,94/60Hz
- 1440 (720) × 480I @ 59,94/60Hz
- 1920 × 1080I @ 50Hz
- 720 × 576P @ 50Hz
- 1440 (720) × 576I @ 50Hz
- 1280 × 720P @ 50Hz

**Nota:** Em alguns casos o sinal no monitor plasma pode não ser visualizado corretamente. O problema pode ser de inconsistência de padrões no equipamento de origem (DVD, caixa decodificação, etc...). Se tiver algum problema deste gênero contate a NEC Solutions (Ameria) Inc. e também o fabricante do equipamento de fonte.



# Tabela de sinais suportados

## Suporte da resolução

- Quando o modo do écran é NORMAL, cada sinal é convertido para um sinal de 1024 pontos × 768 linhas. (Exceto para <sup>\*2,3,4</sup>)
- Quando o modo do écran é CHEIO, cada sinal é convertido para um sinal de 1365 pontos × 768 linhas. (Exceto para <sup>\*3</sup>)

## Sinais de entrada do computador suportadas por este sistema

| Modelo                                           | Pontos × linhas                 | Frequência vertical (Hz) | Frequência horizontal (kHz) | Polaridade sincronização |            | Presença   |          | Modo de écran     |                   | Seleção RGB <sup>*5</sup> | Memória    |
|--------------------------------------------------|---------------------------------|--------------------------|-----------------------------|--------------------------|------------|------------|----------|-------------------|-------------------|---------------------------|------------|
|                                                  |                                 |                          |                             | Horizontal               | Vertical   | Horizontal | Vertical | NORMAL (4:3)      | CHEIO (16:9)      |                           |            |
| NEC PC-9800                                      | 640 × 400                       | 70,1                     | 31,5                        | NEG                      | NEG        | SIM        | SIM      | SIM <sup>*2</sup> | SIM               | --                        | 4          |
|                                                  | 720 × 400                       | 70,1                     | 31,5                        | NEG                      | NEG        | SIM        | SIM      | --                | SIM               | 720 × 400                 | 82         |
| Computadores compatíveis IBM PC/AT <sup>*8</sup> | 640 × 480                       | 59,9                     | 31,5                        | NEG                      | NEG        | SIM        | SIM      | SIM               | SIM               | 640 × 480                 | 5          |
|                                                  |                                 | 72,8                     | 37,9                        | NEG                      | NEG        | SIM        | SIM      | SIM               | SIM               | --                        | 7          |
|                                                  |                                 | 75,0                     | 37,5                        | NEG                      | NEG        | SIM        | SIM      | SIM               | SIM               | 640 × 480                 | 8          |
|                                                  |                                 | 85,0                     | 43,3                        | NEG                      | NEG        | SIM        | SIM      | SIM               | SIM               | --                        | 9          |
|                                                  |                                 | 100,4                    | 51,1                        | NEG                      | NEG        | SIM        | SIM      | SIM               | SIM               | --                        | 41         |
|                                                  |                                 | 120,4                    | 61,3                        | NEG                      | NEG        | SIM        | SIM      | SIM               | SIM               | --                        | 42         |
|                                                  |                                 | 85,1                     | 37,9                        | NEG                      | POS        | SIM        | SIM      | --                | SIM               | --                        | 73         |
|                                                  | 848 × 480                       | 60,0                     | 31,0                        | POS                      | POS        | SIM        | SIM      | --                | SIM               | 848 × 480                 | 19         |
|                                                  | 852 × 480 <sup>*1</sup>         | 60,0                     | 31,7                        | NEG                      | NEG        | SIM        | SIM      | --                | SIM               | 852 × 480                 | 17         |
|                                                  | 800 × 600                       | 56,3                     | 35,2                        | POS                      | POS        | SIM        | SIM      | SIM               | SIM               | 800 × 600                 | 11         |
|                                                  |                                 | 60,3                     | 37,9                        | POS                      | POS        | SIM        | SIM      | SIM               | SIM               | 800 × 600                 | 12         |
|                                                  |                                 | 72,2                     | 48,1                        | POS                      | POS        | SIM        | SIM      | SIM               | SIM               | --                        | 13         |
|                                                  |                                 | 75,0                     | 46,9                        | POS                      | POS        | SIM        | SIM      | SIM               | SIM               | --                        | 14         |
|                                                  |                                 | 85,1                     | 53,7                        | POS                      | POS        | SIM        | SIM      | SIM               | SIM               | --                        | 15         |
|                                                  |                                 | 99,8                     | 63,0                        | POS                      | POS        | SIM        | SIM      | SIM               | SIM               | --                        | 43         |
|                                                  |                                 | 120,0                    | 75,7                        | POS                      | POS        | SIM        | SIM      | SIM               | SIM               | --                        | 44         |
|                                                  |                                 | 1024 × 768               | 60,0                        | 48,4                     | NEG        | NEG        | SIM      | SIM               | SIM <sup>*3</sup> | SIM                       | 1024 × 768 |
|                                                  | 70,1                            |                          | 56,5                        | NEG                      | NEG        | SIM        | SIM      | SIM <sup>*3</sup> | SIM               | --                        | 25         |
|                                                  | 75,0                            |                          | 60,0                        | POS                      | POS        | SIM        | SIM      | SIM <sup>*3</sup> | SIM               | 1024 × 768                | 26         |
|                                                  | 85,0                            |                          | 68,7                        | POS                      | POS        | SIM        | SIM      | SIM <sup>*3</sup> | SIM               | --                        | 27         |
|                                                  | 100,6                           |                          | 80,5                        | NEG                      | NEG        | SIM        | SIM      | SIM <sup>*3</sup> | SIM               | --                        | 45         |
|                                                  | 1152 × 864                      | 75,0                     | 67,5                        | POS                      | POS        | SIM        | SIM      | SIM               | SIM               | 1152 × 864                | 51         |
|                                                  | 1280 × 768                      | 56,2                     | 45,1                        | POS                      | POS        | SIM        | SIM      | --                | SIM               | 1280 × 768                | 52         |
|                                                  |                                 | 59,8                     | 48,0                        | POS                      | NEG        | SIM        | SIM      | --                | SIM               | 1280 × 768                | 80         |
|                                                  | 1280 × 768 <sup>*9</sup>        | 69,8                     | 56,0                        | NEG                      | POS        | SIM        | SIM      | --                | SIM               | 1280 × 768                | 66         |
|                                                  | 1280 × 800 <sup>*9</sup>        | 60,0                     | 49,7                        | NEG                      | NEG        | SIM        | SIM      | --                | SIM               | 1280 × 800                | 21         |
|                                                  | 1280 × 854 <sup>*9</sup>        | 60,0                     | 53,1                        | NEG                      | NEG        | SIM        | SIM      | --                | SIM               | 1280 × 854                | 37         |
|                                                  | 1280 × 960                      | 60,0                     | 60,0                        | POS                      | POS        | SIM        | SIM      | SIM               | SIM               | --                        | 63         |
|                                                  | 1360 × 765                      | 60,0                     | 47,7                        | POS                      | POS        | SIM        | SIM      | --                | SIM <sup>*3</sup> | 1360 × 765                | 22         |
|                                                  | 1360 × 768                      | 60,0                     | 47,7                        | POS                      | POS        | SIM        | SIM      | --                | SIM <sup>*3</sup> | 1360 × 768                | 22         |
|                                                  | 1376 × 768                      | 59,9                     | 48,3                        | NEG                      | POS        | SIM        | SIM      | --                | SIM               | 1376 × 768                | 53         |
|                                                  | 1280 × 1024                     | 60,0                     | 64,0                        | POS                      | POS        | SIM        | SIM      | SIM <sup>*4</sup> | SIM               | 1280 × 1024               | 29         |
|                                                  |                                 | 75,0                     | 80,0                        | POS                      | POS        | SIM        | SIM      | SIM <sup>*4</sup> | SIM               | --                        | 30         |
|                                                  |                                 | 85,0                     | 91,1                        | POS                      | POS        | SIM        | SIM      | SIM <sup>*4</sup> | SIM               | --                        | 40         |
|                                                  |                                 | 100,1                    | 108,5                       | POS                      | POS        | SIM        | SIM      | SIM <sup>*4</sup> | SIM               | --                        | 47         |
|                                                  | 1680 × 1050 <sup>*9</sup>       | 60,0                     | 65,3                        | NEG                      | NEG        | SIM        | SIM      | --                | SIM               | 1680 × 1050               | 38         |
|                                                  | 1600 × 1200                     | 60,0                     | 75,0                        | POS                      | POS        | SIM        | SIM      | SIM               | SIM               | --                        | 54         |
|                                                  |                                 | 65,0                     | 81,3                        | POS                      | POS        | SIM        | SIM      | SIM               | SIM               | --                        | 55         |
|                                                  |                                 | 70,0                     | 87,5                        | POS                      | POS        | SIM        | SIM      | SIM               | SIM               | --                        | 56         |
|                                                  |                                 | 75,0                     | 93,8                        | POS                      | POS        | SIM        | SIM      | SIM               | SIM               | --                        | 57         |
|                                                  |                                 | 85,0                     | 106,3                       | POS                      | POS        | SIM        | SIM      | SIM               | SIM               | --                        | 58         |
|                                                  | 1920 × 1200 <sup>*9</sup>       | 60,0                     | 74,6                        | NEG                      | NEG        | SIM        | SIM      | --                | SIM               | 1920 × 1200               | 81         |
|                                                  | 1920 × 1200RB <sup>*9</sup>     | 60,0                     | 74,0                        | NEG                      | NEG        | SIM        | SIM      | --                | SIM               | 1920 × 1200               | 88         |
|                                                  | Apple Macintosh <sup>*6,8</sup> | 640 × 480                | 66,7                        | 35,0                     | Sinc. em G | Sinc. em G | --       | --                | SIM               | SIM                       | --         |
| 832 × 624                                        |                                 | 74,6                     | 49,7                        | Sinc. em G               | Sinc. em G | --         | --       | SIM               | SIM               | --                        | 16         |
| 1024 × 768                                       |                                 | 74,9                     | 60,2                        | Sinc. em G               | Sinc. em G | --         | --       | SIM <sup>*3</sup> | SIM               | 1024 × 768                | 28         |
| 1152 × 870                                       |                                 | 75,1                     | 68,7                        | Sinc. em G               | Sinc. em G | --         | --       | SIM               | SIM               | 1152 × 870                | 39         |
| 1440 × 900 <sup>*9</sup>                         | 60,0                            | 56,0                     | NEG                         | NEG                      | SIM        | SIM        | --       | SIM               | --                | 89                        |            |
| Work Station (EWS4800) <sup>*8</sup>             | 1280 × 1024                     | 60,0                     | 64,6                        | NEG                      | NEG        | SIM        | SIM      | SIM <sup>*4</sup> | SIM               | --                        | 29         |
|                                                  |                                 | 71,2                     | 75,1                        | NEG                      | NEG        | SIM        | SIM      | SIM <sup>*4</sup> | SIM               | --                        | 48         |
| Work Station (HP) <sup>*8</sup>                  | 1280 × 1024                     | 72,0                     | 78,1                        | --                       | --         | --         | --       | SIM <sup>*4</sup> | SIM               | --                        | 59         |
| Work Station (SUN) <sup>*8</sup>                 | 1152 × 900                      | 66,0                     | 61,8                        | Sinc. em C               | Sinc. em C | --         | --       | SIM               | SIM               | --                        | 60         |
|                                                  |                                 | 76,0                     | 71,7                        | Sinc. em C               | Sinc. em C | --         | --       | SIM               | SIM               | --                        | 61         |
|                                                  | 1280 × 1024                     | 76,1                     | 81,1                        | Sinc. em C               | Sinc. em C | --         | --       | SIM <sup>*4</sup> | SIM               | --                        | 30         |

| Modelo             | Pontos × linhas | Frequência vertical (Hz) | Frequência horizontal (kHz) | Polaridade sincronização |          | Presença   |          | Modo de écran |              | Seleção RGB*5 | Memória   |    |
|--------------------|-----------------|--------------------------|-----------------------------|--------------------------|----------|------------|----------|---------------|--------------|---------------|-----------|----|
|                    |                 |                          |                             | Horizontal               | Vertical | Horizontal | Vertical | NORMAL (4:3)  | CHEIO (16:9) |               |           |    |
| Work Station (SGL) | 1024 × 768      | 60,0                     | 49,7                        | --                       | --       | --         | --       | SIM*3         | SIM          | --            | 62        |    |
|                    | 1280 × 1024     | 60,0                     | 63,9                        | --                       | --       | --         | --       | SIM*4         | SIM          | --            | 29        |    |
| IDC-3000G          |                 |                          |                             |                          |          |            |          |               |              |               |           |    |
|                    | PAL625P         | 768 × 576                | 50,0                        | 31,4                     | NEG      | NEG        | SIM      | SIM           | SIM*7        | SIM*7         | --        | 31 |
|                    | NTSC525P        | 640 × 480                | 59,9                        | 31,5                     | NEG      | NEG        | SIM      | SIM           | SIM*7        | SIM*7         | 640 × 480 | 32 |
|                    | 1152 × 864      | 60,0                     | 53,7                        | POS                      | NEG      | SIM        | SIM      | SIM           | SIM          | 1152 × 864    | 84        |    |
|                    |                 | 72,0                     | 64,9                        | POS                      | NEG      | SIM        | SIM      | SIM           | SIM          | --            | 85        |    |
|                    | 1400 × 1050     | 60,0                     | 65,3                        | NEG                      | POS      | SIM        | SIM      | SIM           | SIM          | --            | 65        |    |
|                    |                 | 75,0                     | 82,3                        | NEG                      | POS      | SIM        | SIM      | SIM           | SIM          | --            | 71        |    |
|                    |                 | 85,0                     | 93,9                        | NEG                      | POS      | SIM        | SIM      | SIM           | SIM          | --            | 72        |    |

#### Tampa traseira

- \*1 Apenas quando utilizar um placa gráfica aceleradora capaz de exibir 852 × 480.
- \*2 Este sinal é convertido para um sinal de 1024 pontos × 640 linhas.
- \*3 A imagem é visualizada na resolução original.
- \*4 Rel. larg /alt. é 5:4. Este sinal é convertido para um sinal de 960 pontos × 768 linhas.
- \*5 Normalmente o modo de seleção RGB para os sinais de entrada é definido automaticamente. Se a imagem não for devidamente visualizada, defina o modo RGB preparado para os sinais de entrada listados na tabela em cima.
- \*6 Para ligar o monitor a um computador Macintosh, utilize o adaptador de monitor (D-Sub 15-pinos) à porta de vídeo do seu computador.
- \*7 Estão também disponíveis outros modos de vídeo (ZOOM e ESTÁDIO).
- \*8 Quando estiver a visualizar uma imagem em movimento a uma frequência vertical maior do que 65Hz, a imagem pode por vezes ficar instável (aos saltos). Se isto acontecer, defina a frequência de atualização do equipamento externo para 60Hz.
- \*9 Compatível com o padrão CVT.

#### NOTA:

- Enquanto os sinais de entrada cumprirem com a resolução listada na tabela em cima, pode ter que ajustar a posição e tamanho da imagem devido a erros de sincronização com o seu computador.
- Quando um sinal de 1280 pontos × 1024 linhas ou de 1600 pontos × 1200 linhas é transmitido ao monitor, a imagem fica comprimida.
- Este monitor tem uma resolução de 1365 pontos × 768 linhas. É recomendado que o sinal de entrada seja XGA, XGA alargado ou equivalente.
- Com sinal digital alguns sinais não são aceites.
- A sincronização pode ser perturbada quando um sinal não padrão diferente dos mencionados for introduzido.
- Se estiver a ligar a um sinal sincronizado composto, utilize o terminal HD.

\* “IBM PC/AT” e “XGA” são marcas registadas pela International Business Machines, Inc. dos Estados Unidos.

\* “Apple Macintosh” é uma marca registrada da Apple Computer, Inc. dos Estados Unidos.



---

---

# DECLARATION OF CONFORMITY

---

---

This device complies with Part 15 of FCC Rules. Operation is subject to the following two conditions. (1) This device may not cause harmful interference, and (2) this device must accept any interference received, including interference that may cause undesired operation.

|                                |                                                                                  |
|--------------------------------|----------------------------------------------------------------------------------|
| <b>U.S. Responsible Party:</b> | <b>NEC SOLUTIONS (AMERICA), INC.</b>                                             |
| <b>Address:</b>                | <b>1250 N. Arlington Heights Road, Suite 400<br/>Itasca, Illinois 60143-1248</b> |
| <b>Tel. No.:</b>               | <b>800-836-0655</b>                                                              |

Type of Product: Plasma Display  
Equipment Classification: Class B Peripheral  
Models: PX-50XR5A

*We hereby declare that the equipment specified above  
conforms to the technical standards as specified in the FCC Rules.*



---

---

# NEC

NEC and the NEC logo are registered trademarks of  
NEC Corporation



Printed on recycled paper

NEC Solutions (America), Inc.  
1250 N. Arlington Heights Road, Suite 400  
Itasca, Illinois 60143-1248

Printed in Japan  
7S802391