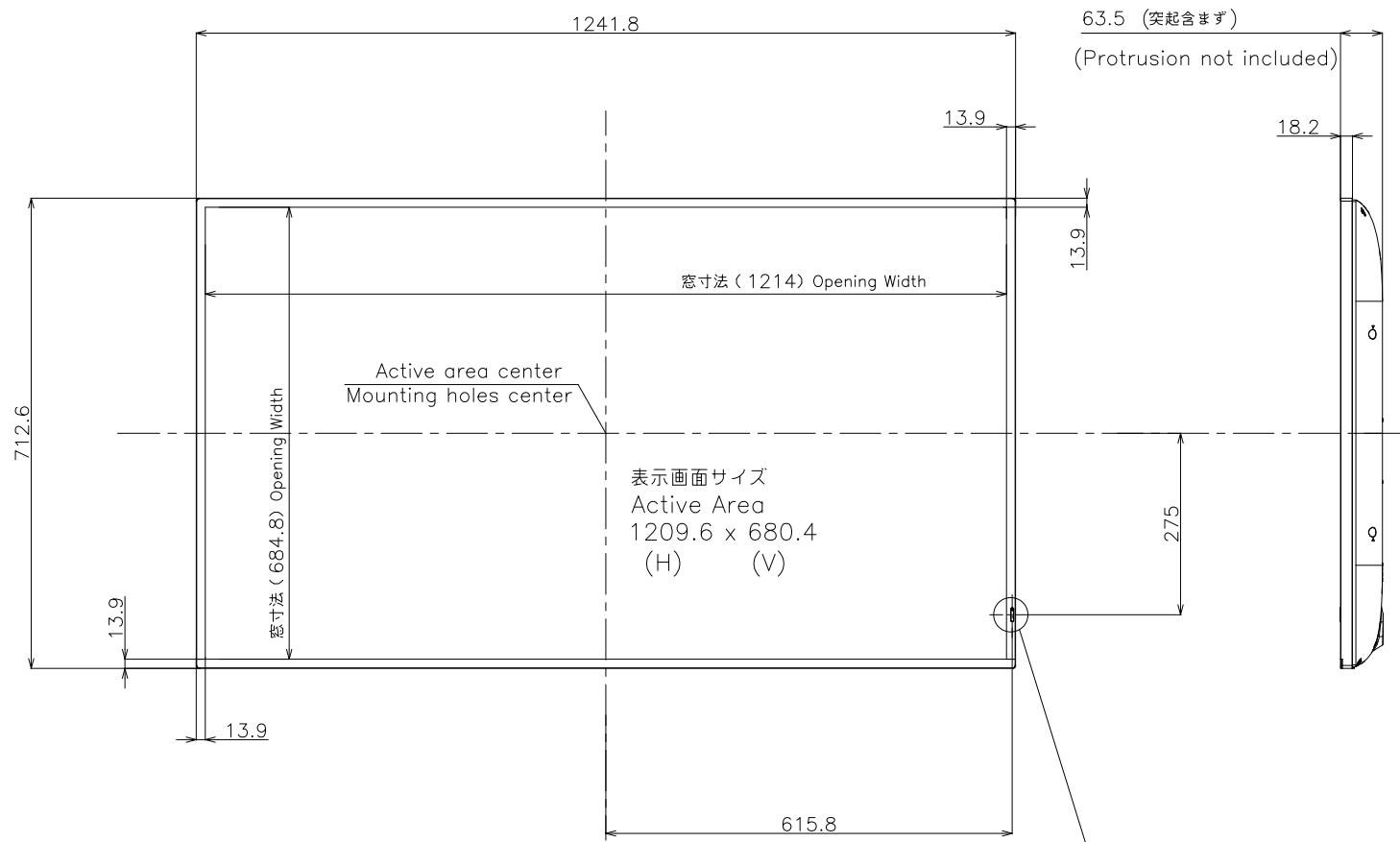


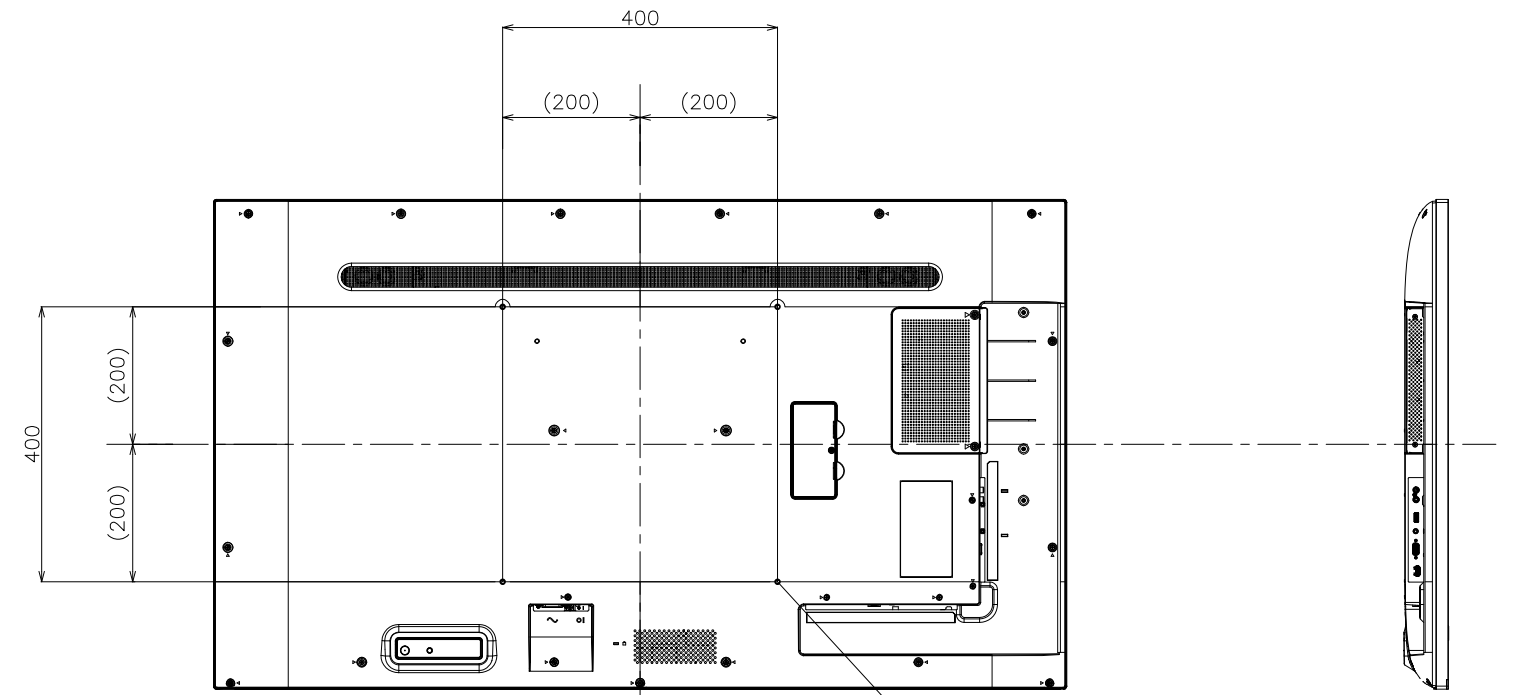
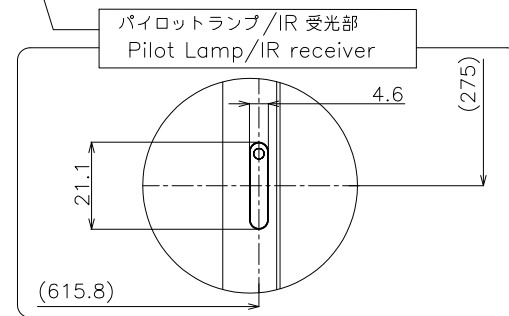
PN-HY551

寸法図

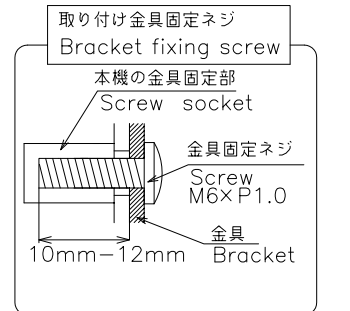
Dimensional Drawing



←
縦置き設置時 上方向
In portrait installation: this side up



4- 取り付け金具用ネジ穴
4- Screw holes for mounting brackets



質量	18 kg	単位	: mm
Weight	Approx.	Unit	: mm