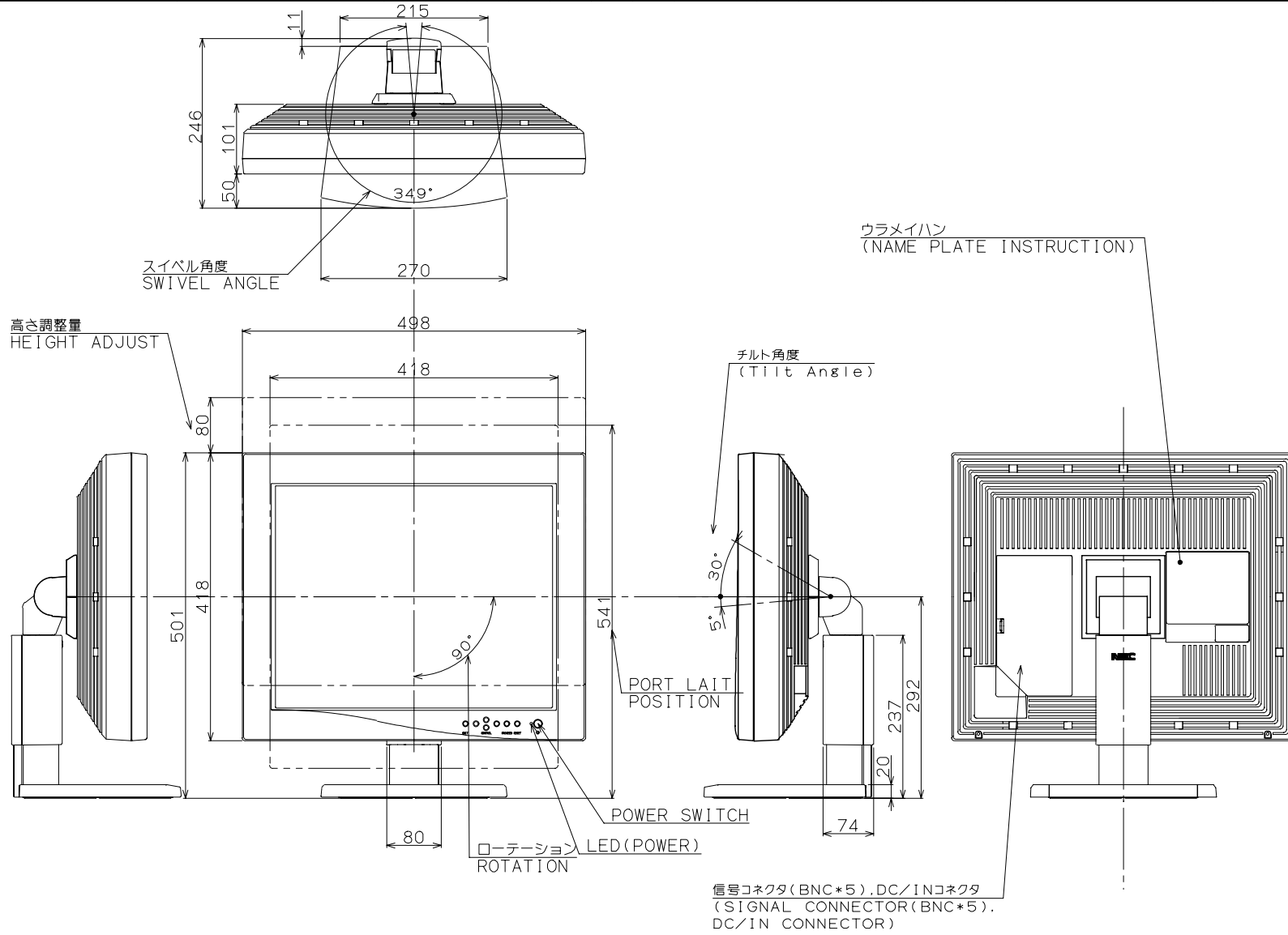


2514354□



REV	DESCRIPTION	APPD
1	1998.	—

UNLESS OTHERWISE SPECIFIED, ALL TOLERANCES TO BE IN ACCORDANCE WITH NEC STD
THIRD ANGLE PROJECTION SCALE 1/6

フィルム
AP ROLL
整理期限
整理番号

MATERIAL		DIMENSIONS			FINISH	
ENGINEER	ENG. APPD	DRAWN	CHECKED	APPROVED	MODEL	ASSY
—	—				CN930.CN945.CN957	UNITS
OUTSIDE DRAWING						