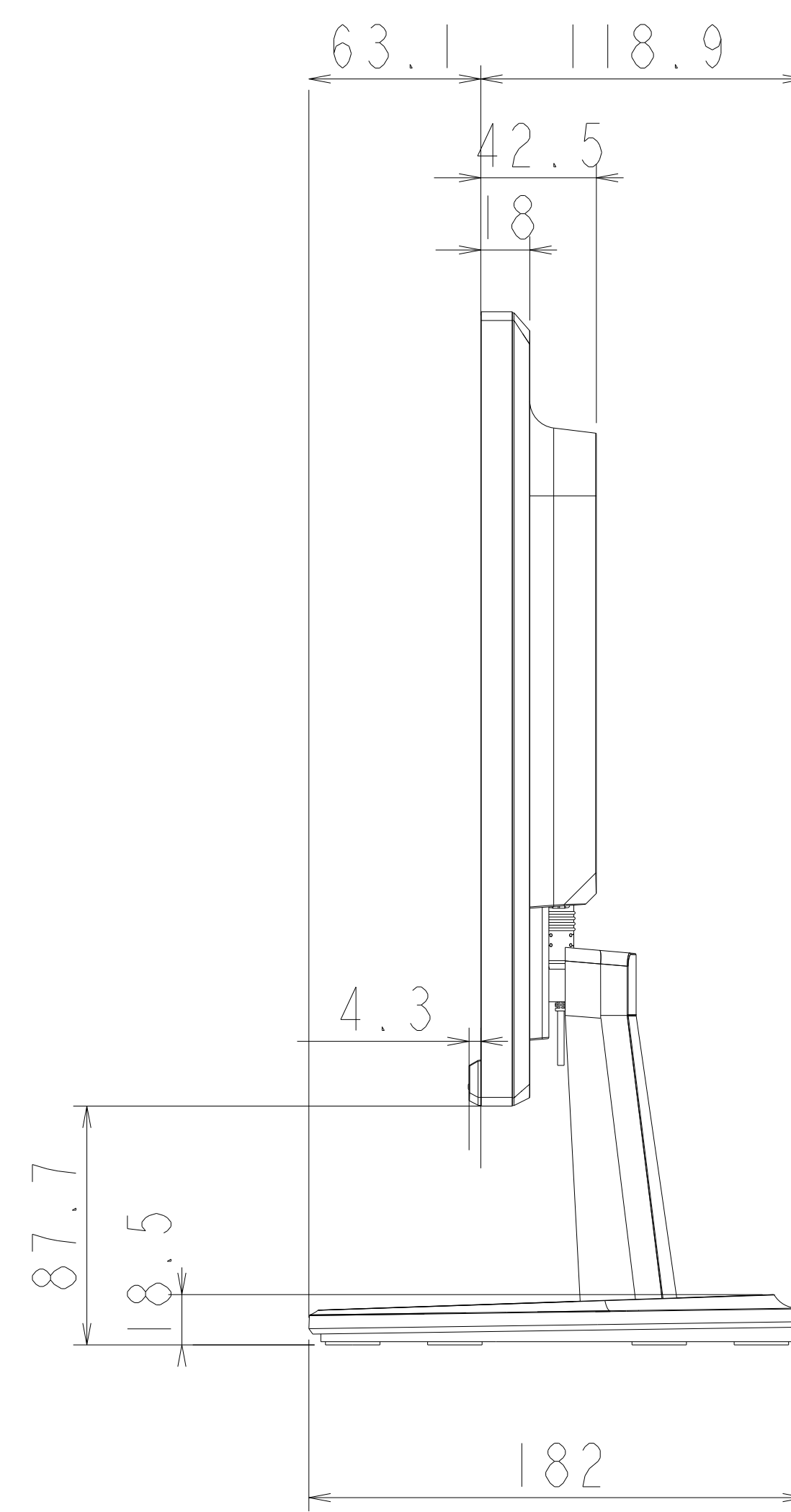
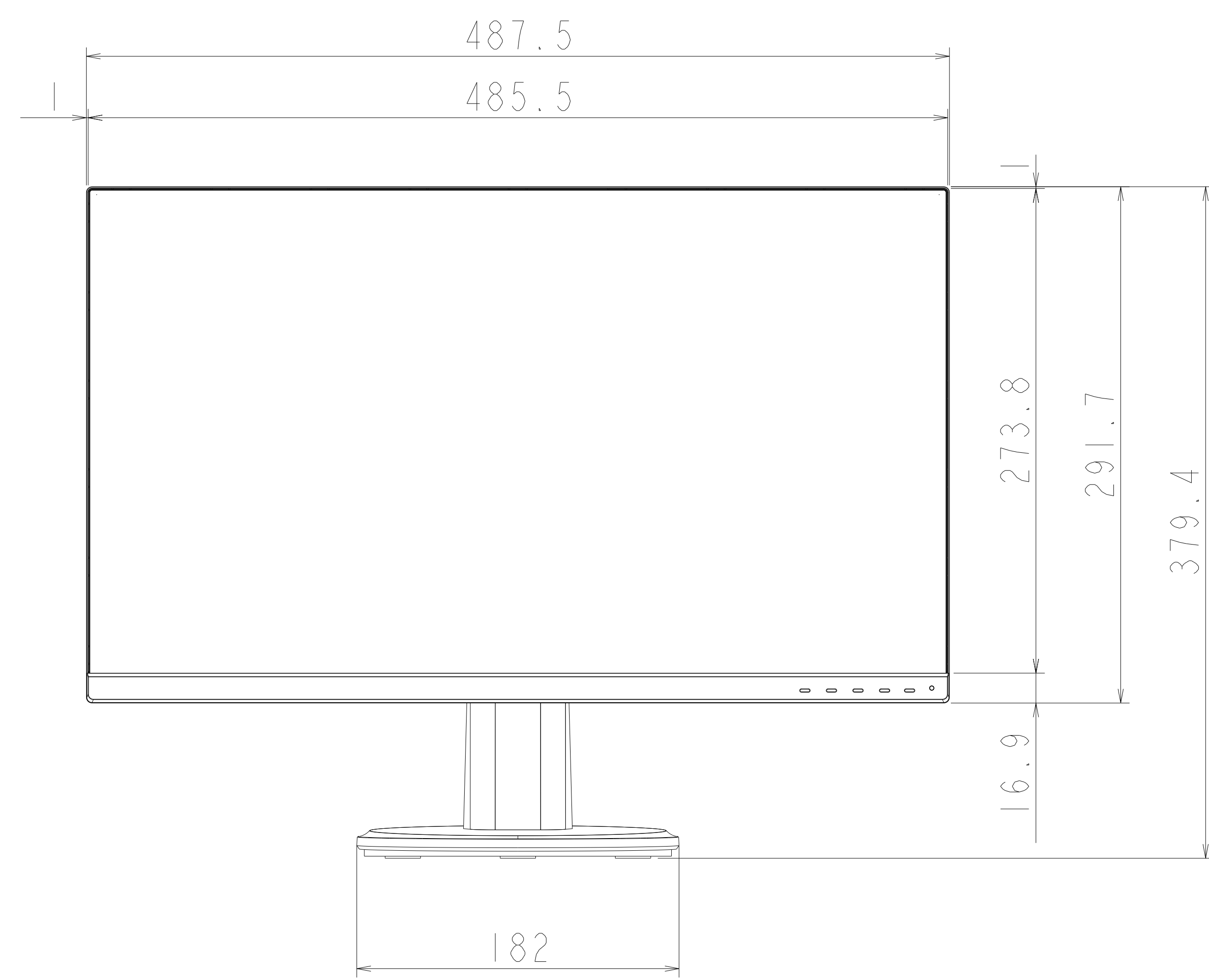
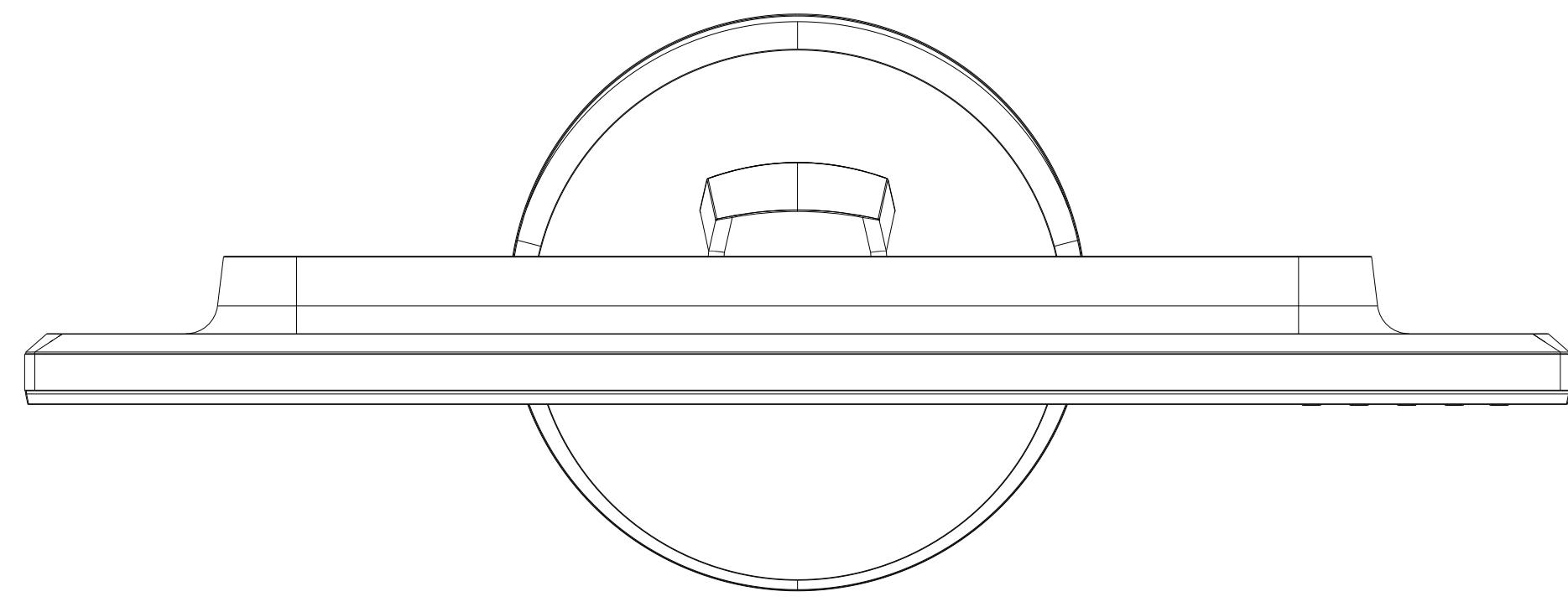


AS221F
NEC Display Solutions, Ltd.
05/July/2019 (2019/07/05)
UNIT (単位): mm



VESA Screw holes
VESAネジ穴

