

X981UHD-2 Installation Guide

98" LCD Display

Rev 1.0

Contents:

| | |
|--------------------------------------|--------|
| Product Description and Notes | Page 1 |
| Tilt Angle and Rotation | Page 1 |
| Ventilation Recommendations | Page 2 |
| Display Dimensions | |
| Front, Top, Right Side, Left Side | Page 3 |
| Rear & Bottom | Page 4 |
| Display Dimensions with stand | Page 5 |
| Optional Stand dimensions | Page 5 |
| Optional Speaker Dimensions (SP-TF1) | Page 6 |
| Optional Speaker Dimensions (SP-RM1) | Page 7 |
| Input Panel | Page 8 |
| Control Codes | Page 8 |
| Cable Connection | Page 9 |
| Browser Control | Page 9 |



Product Description:

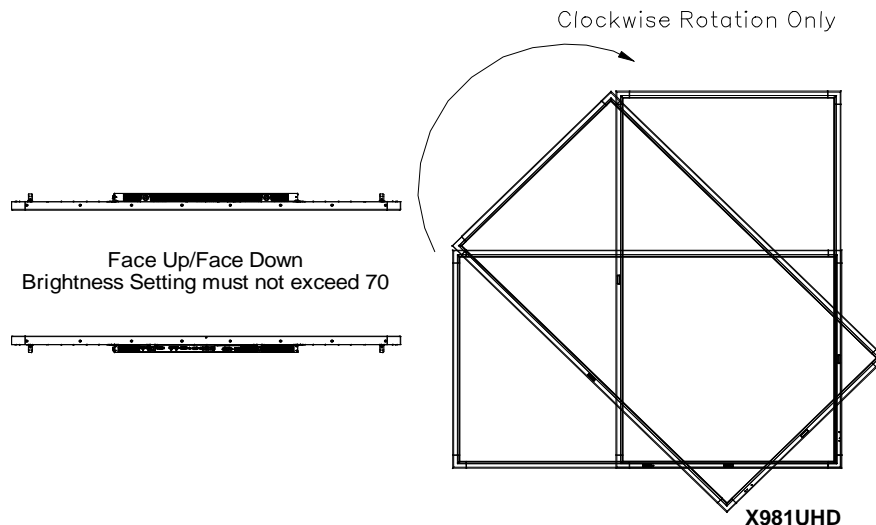
| | | | |
|--------------------|-------------------------------------|---------------------------|----------------------------------|
| Type: | LCD Display | Dimensions without stand: | 86.8" (W) x 49.6" (L) x 4.3" (D) |
| Resolution: | 3840 x 2160 | Dimensions with stand: | 86.8"(W) x 51.1"(H) x 23.9"(D) |
| Aspect Ratio: | 16:9 | Weight without stand: | 199.7 lbs |
| FCC: | Class B | Weight with stand: | 209.9 lbs |
| Power Consumption: | 560W (max with no speaker/OPS slot) | | |
| BTU's: | 1910.80 BTU/hour | | |

NOTES:

- This document is intended to be used as a reference guide to supply useful information for a design or installation. It is not intended to be a step-by-step procedure for installation.
- Any ceilings or walls must be strong enough to support the monitor and the installation must be in accordance with any local building codes. All mounts should make secure contact to wood studs.
- 4:3 sources can be displayed on the 16:9 screen in either normal aspect ratio with bars on the left or right, or stretched horizontally to fill the screen using the menus (see "Aspect Modes" in menus and user manual).
- Distances are in inches, for millimeters multiply by 25.4.
- Distances may vary $\pm 5\%$.

Tilt Angle and Rotation:

- Below is the maximum angle the monitor can be tilted. Note that the monitor can only be tilted in the landscape position.



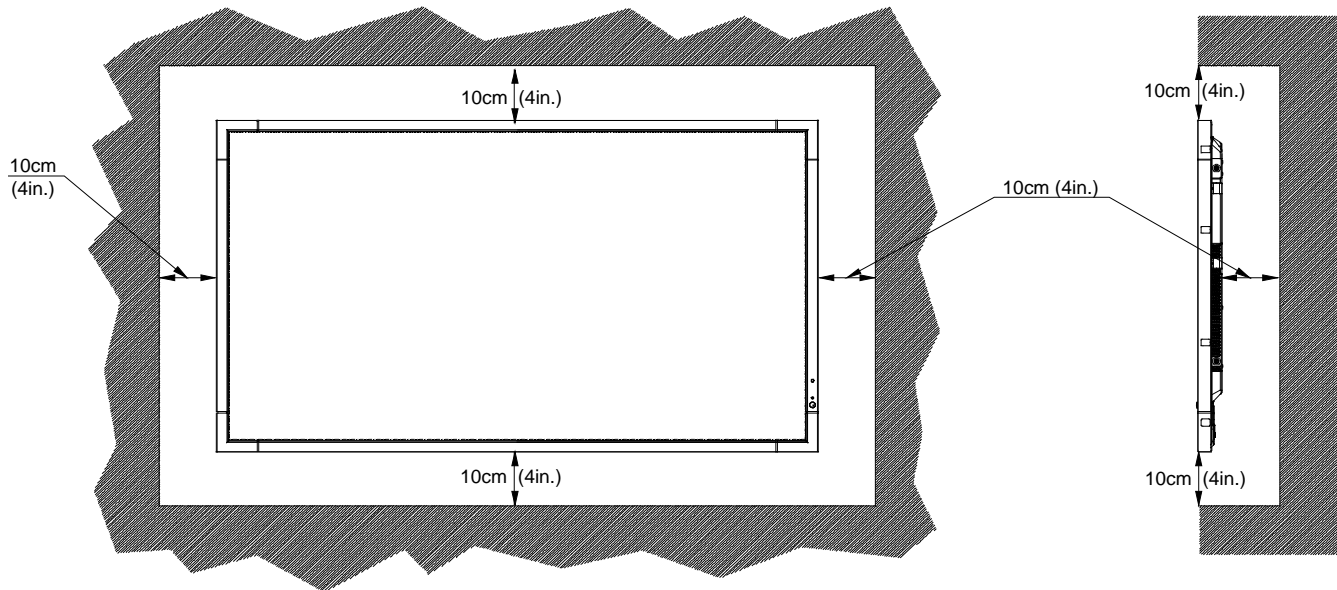
X981UHD-2 Installation Guide

98" LCD Display

Rev 1.0

Ventilation Recommendations:

Dimensions below are minimum required for proper ventilation.



NOTE:

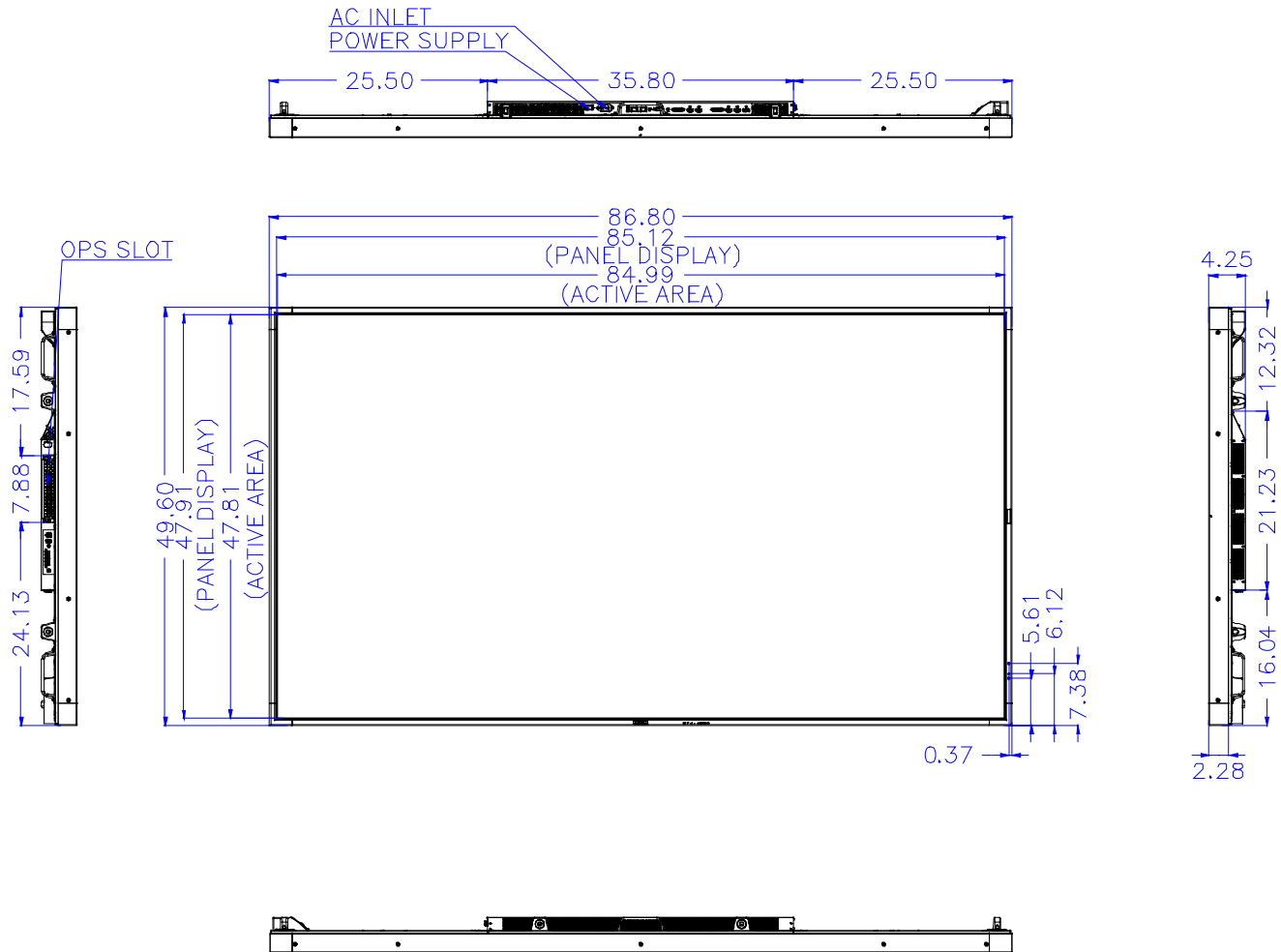
- The ventilation space should not be covered or closed off at the front of the opening. If for some reason the opening needs to be covered, other means of ventilation will need to be incorporated into the design. Contact NEC for design review and recommendations.

X981UHD-2 Installation Guide

98" LCD Display

Rev 1.0

Display Dimensions:

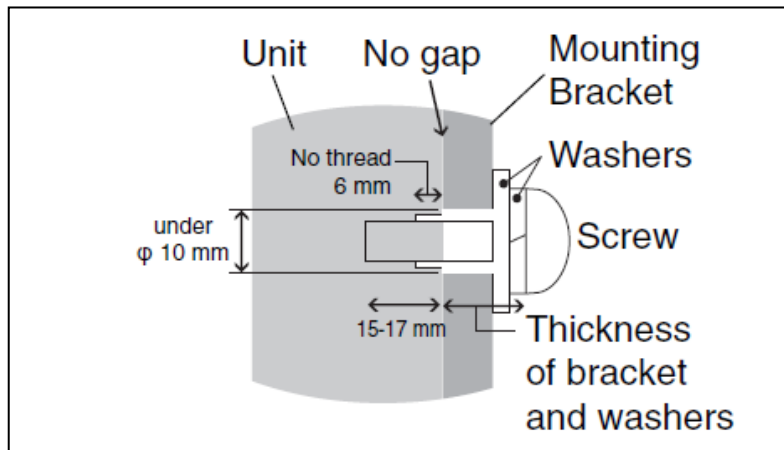
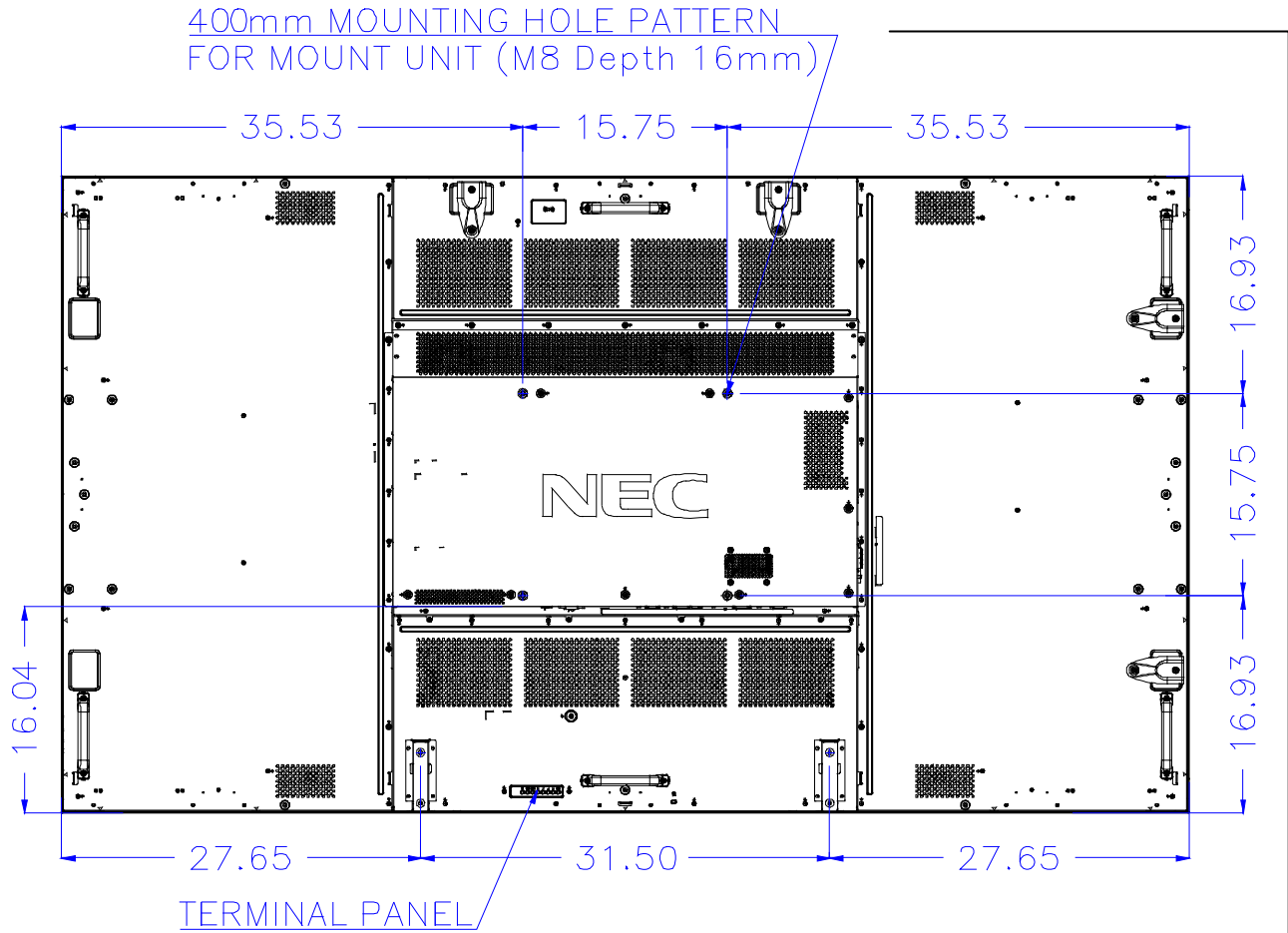


X981UHD-2 Installation Guide

98" LCD Display

Rev 1.0

Display Dimensions (cont.):

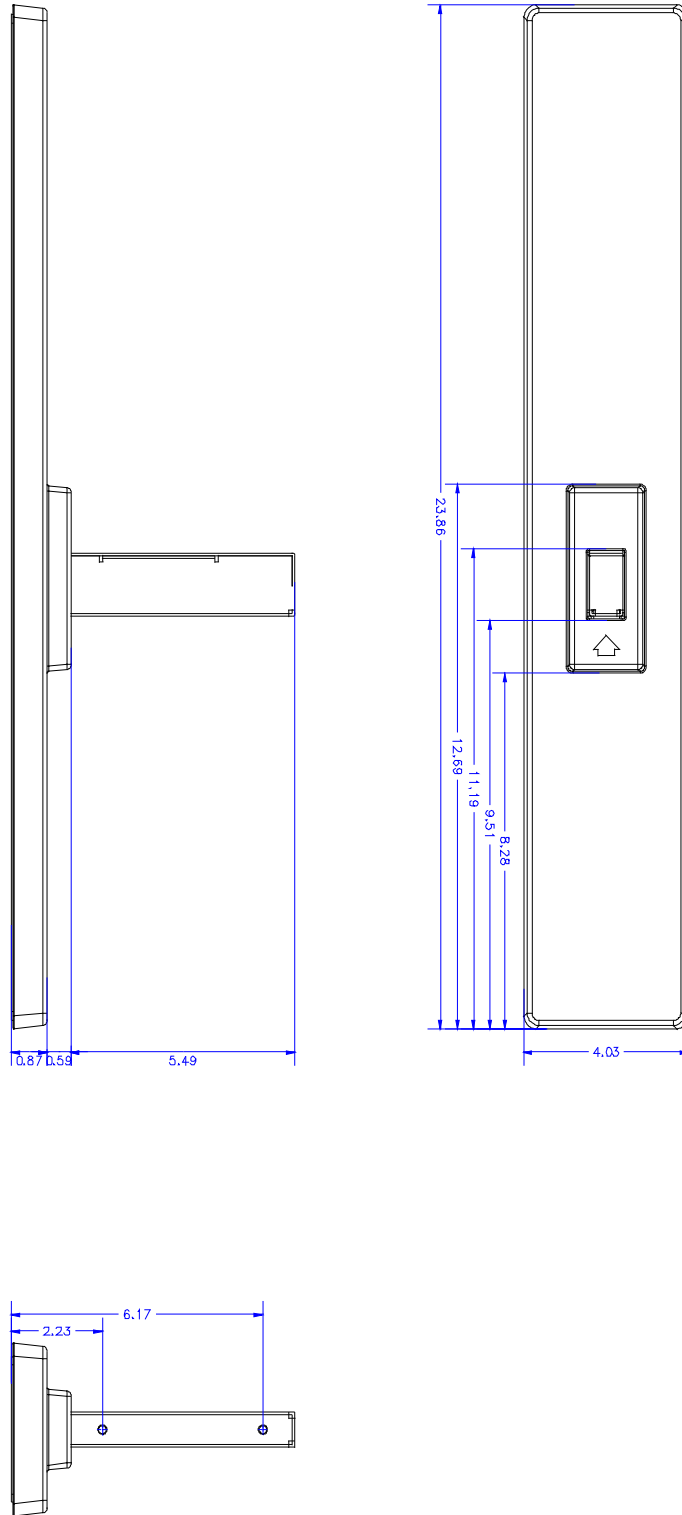


X981UHD-2 Installation Guide

98" LCD Display

Rev 1.0

Table Top Stand Dimensions (ST-801)

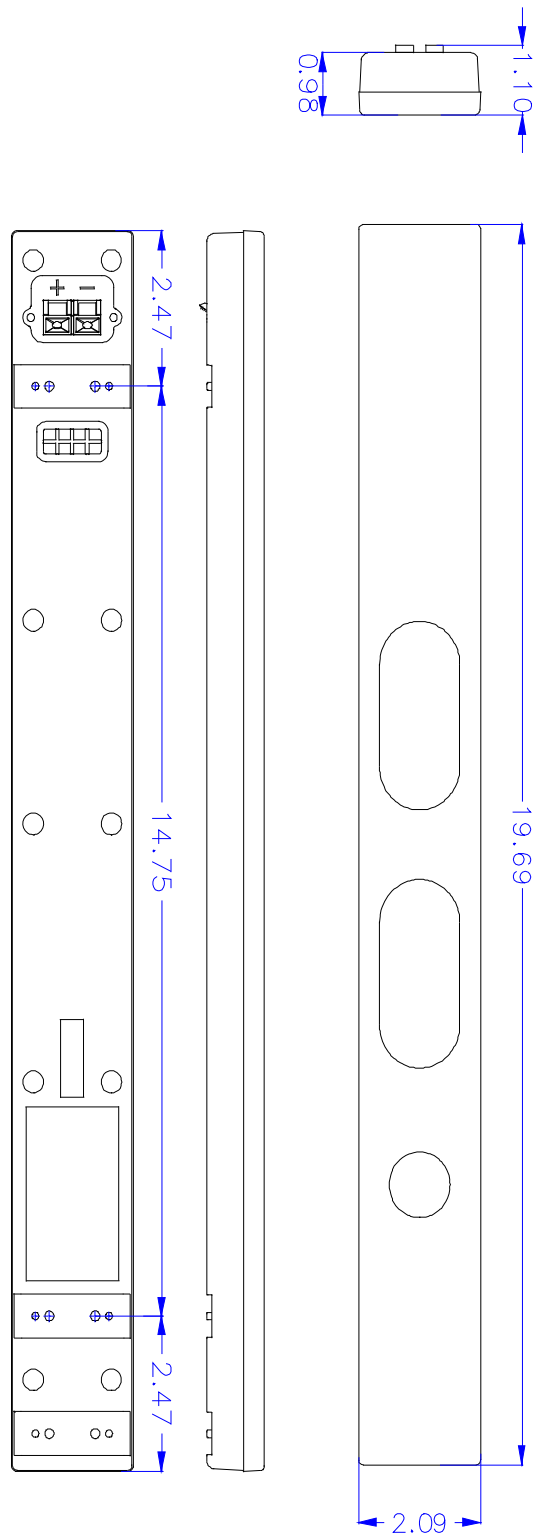


X981UHD-2 Installation Guide

98" LCD Display

Rev 1.0

Optional Speaker Dimensions (SP-TF1)

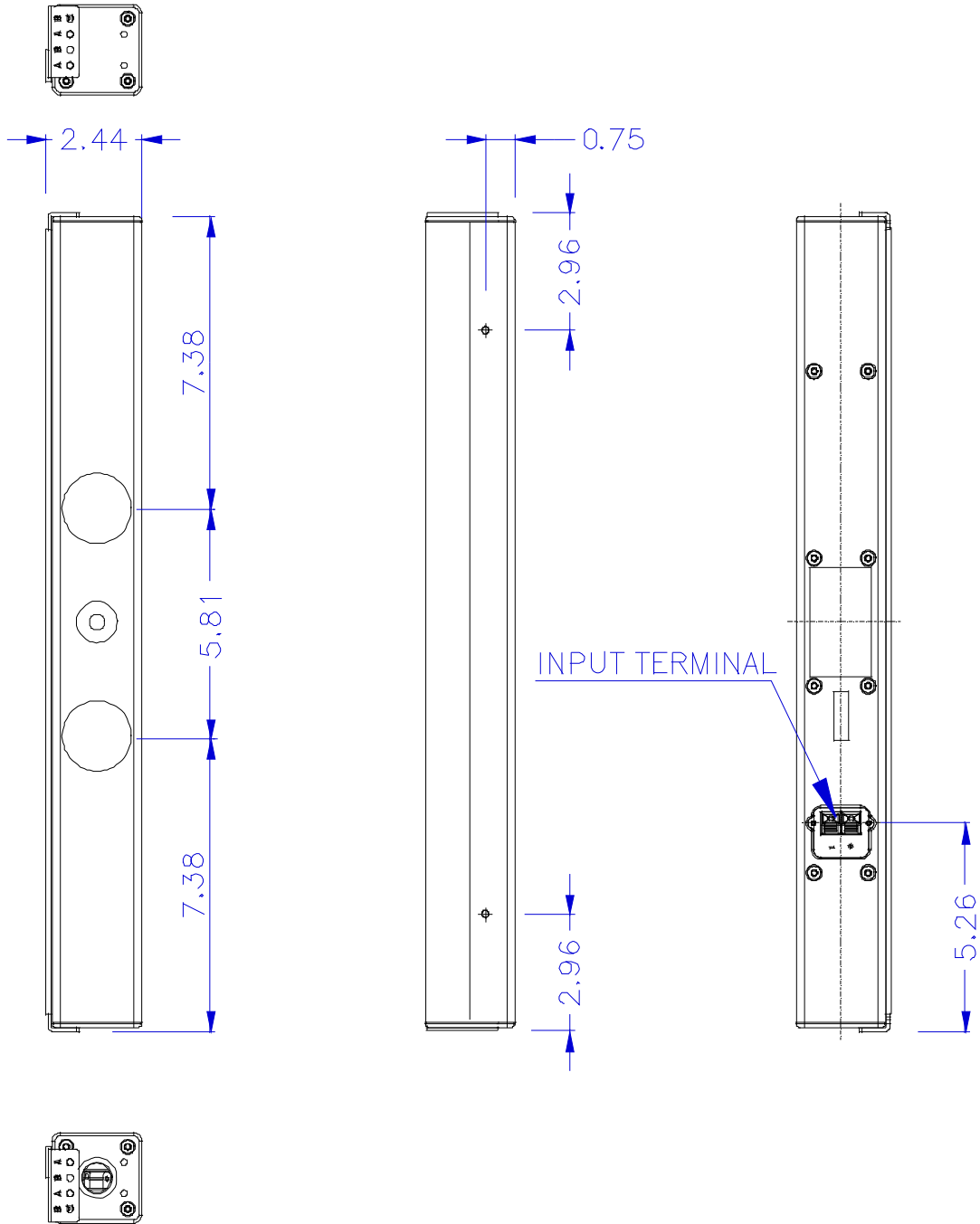


X981UHD-2 Installation Guide

98" LCD Display

Rev 1.0

Optional Speaker Dimensions including holder (SP-RM1):



X981UHD-2 Installation Guide

98" LCD Display

Rev 1.0

Input Panel:

Bottom



Side (Rotated)



Control Codes:

| Function (Monitor ID = 1) | Code Data |
|---------------------------------|--|
| Power ON | 01 30 41 30 41 30 43 02 43 32 30 33 44 36 30 30 30 31 03 73 0d |
| Power OFF | 01 30 41 30 41 30 43 02 43 32 30 33 44 36 30 30 30 34 03 76 0d |
| Input Source Select DisplayPort | 01 30 41 30 45 30 41 02 30 30 36 30 30 30 30 46 03 04 0d or 01 30 41 30 45 30 41 02 31 31 30 36 30 30 30 46 03 04 0d |
| Input Source Select DVI1 | 01 30 41 30 45 30 41 02 30 30 36 30 30 30 30 33 03 71 0d or 01 30 41 30 45 30 41 02 31 31 30 36 30 30 30 33 03 71 0d |
| Input Source Select DVI2 | 01 30 41 30 45 30 41 02 30 30 36 30 30 30 30 34 03 76 0d or 01 30 41 30 45 30 41 02 31 31 30 36 30 30 30 34 03 76 0d |
| Input Source Select HDMI1 | 01 30 41 30 45 30 41 02 30 30 36 30 30 30 31 31 03 72 0d or 01 30 41 30 45 30 41 02 31 31 30 36 30 30 31 31 03 72 0d |
| Input Source Select HDMI2 | 01 30 41 30 45 30 41 02 30 30 36 30 30 30 31 32 03 71 0d or 01 30 41 30 45 30 41 02 31 31 30 36 30 30 31 32 03 71 0d |
| Input Source Select HDMI3 | 01 30 41 30 45 30 41 02 31 31 30 36 30 30 38 32 03 78 0d |
| Input Source Select HDMI4 | 01 30 41 30 45 30 41 02 31 31 30 36 30 30 38 33 03 79 0d |
| Input Source Select OPTION | 01 30 41 30 45 30 41 02 30 30 36 30 30 30 30 44 03 06 0d or 01 30 41 30 45 30 41 02 31 31 30 36 30 30 30 44 03 06 0d |
| Sound Mute ON | 01 30 41 30 45 30 41 02 30 30 38 44 30 30 30 31 03 09 0d |
| Sound Mute OFF | 01 30 41 30 45 30 41 02 30 30 38 44 30 30 30 32 03 0a 0d |

NOTE: Contact your NEC representative for codes not listed.

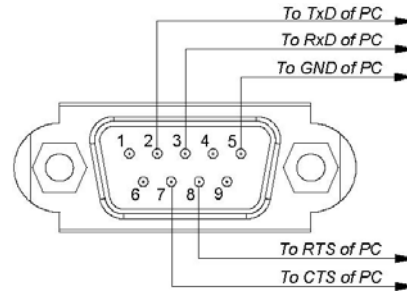
X981UHD-2 Installation Guide

98" LCD Display

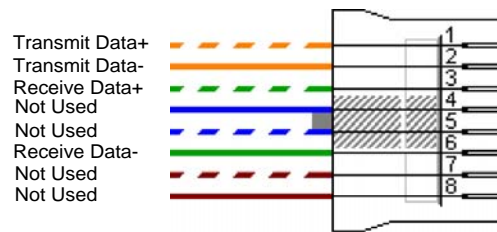
Cable Connection

Communication Protocol:

Interface: RS-232C
 Communication System: Asynchronous
 Baud Rate: 9600 bps
 Data Length: 8 bits
 Parity: None
 Stop Bit: 1 bit
 Communication Code: ASCII



Interface: Ethernet (CSMA/CD)
 Communication System: TCP/IP (Internet Protocol Suite)
 Communication Layer: Transport layer (TCP)
 IP Address: 192.168.0.10 (default out of box)
 Port Number: 7142 (Fixed)



Browser Control

Information and control can also be available through the HTTP browser control menu. In order to accomplish this, type: **http://<the Monitor's IP address>/pd_index.html**
 Note that the LAN Power needs to be turned on in order for the display to be controlled while the units are off. All displays are set to the IP address 192.168.0.10 out of the box. Communicating network PC needs to be on the same subnet as display that is being communicated with

NEC X841UHD HDMI1

- [HOME](#)
- [REMOTE CONTROL](#)
- [PICTURE ADJUST](#)
- [AUDIO](#)
- [SCHEDULE](#)
- [MULTI PICTURE CONTROL](#)
- [OSD](#)
- [MULTI DISPLAY](#)
- [DISPLAY PROTECTION](#)
- [EXTERNAL CONTROL](#)
- [ADVANCED OPTION1](#)
- [ADVANCED OPTION2](#)
- [NETWORK](#)
- [MAIL](#)
- [SNMP](#)
- [AMX](#)
- [CRESTRON](#)
- [NAME](#)
- [NETWORK PASSWORD](#)
- [PD LIST](#)
- [MEMO](#)
- [UPDATE FIRMWARE](#)
- [PORT](#)
- [UPDATE FIRMWARE\(ALL\)](#)

HOME

Welcome to the management and configuration web interface.
 You can use the navigation menus on the left to access additional pages.

| MONITOR INFORMATION | |
|---------------------|------------|
| MODEL NAME | X841UHD |
| SERIAL | 45500005TA |

| FIRMWARE VERSION | |
|------------------|-------|
| FIRMWARE1 | 0.017 |
| FIRMWARE2 | 0.008 |
| FIRMWARE3 | 0.011 |
| FIRMWARE4 | 0.002 |

| ETHERNET | |
|-----------------|-------------------|
| MAC ADDRESS | 58:C2:32:33:00:03 |
| IPv4 ADDRESS | 192.168.0.10 |
| SUBNET MASK | 255.255.255.0 |
| DEFAULT GATEWAY | 0.0.0.0 |
| DNS PRIMARY | 0.0.0.0 |
| DNS SECONDARY | 0.0.0.0 |

ID

Copyright © NEC Display Solutions, Ltd. 2014. All rights reserved.

Note: Above browser control states X841UHD but is consistent with the X981UHD-2.