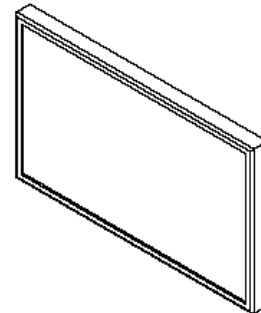


V801 Installation Guide

80" LCD Display

Contents:

Product Description and Notes	Page 1
Tilt Angle and Rotation	Page 1
Ventilation Requirements	Page 2
Display Dimensions	
Front, Top, Right Side, Left Side	Page 3
Rear & Bottom	Page 4
Optional Table Top Stand Dimensions	Page 5
Optional Speaker Dimensions	Page 6
Display with Optional Wall Mount Kit	Page 7
Input Panels	Page 8
Control Codes	Page 8



Product Description:

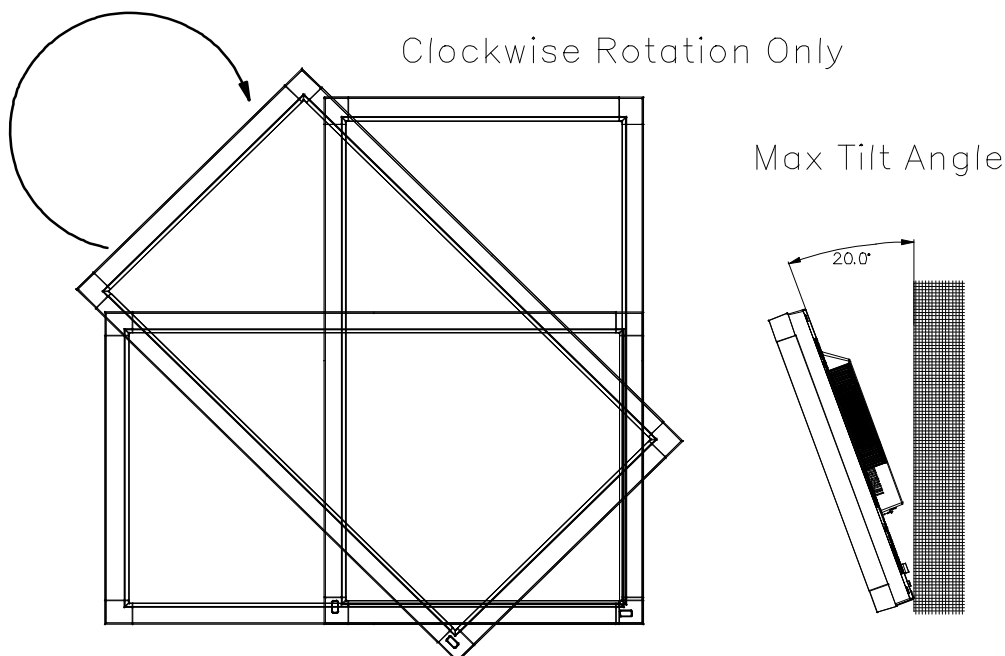
Type:	LCD Display	Dimensions without stand:	72.3" (W) x 41.8" (H) x 3.4" (D)
Resolution:	1920 x 1080	Dimensions with stand:	72.3"(W) x 43.3"(H) x 23.9"(D)
Aspect Ratio:	16:9	Weight without stand:	132.3 lbs
FCC:	Class B	Weight with stand:	142.5 lbs
Power Consumption:	230W (typ)		
BTU's:	784.79 BTU/hour		

NOTES:

- This document is intended to be used as a reference guide to supply useful information for a design or installation. It is not intended to be a step-by step procedure for installation.
- Any ceilings or walls must be strong enough to support the monitor and the installation must be in accordance with any local building codes. All mounts should make secure contact to wood studs.
- 4:3 sources can be displayed on the 16:9 screen in either normal aspect ratio with bars on the left or right, or stretched horizontally to fill the screen using the menus (see "Aspect Modes" in menus and user manual).
- Distances are in inches, for millimeters multiply by 25.4.
- Distances may vary $\pm 5\%$.

Tilt Angle and Rotation:

- Below is the maximum angle the monitor can be tilted. Note that the monitor can only be tilted in the landscape position.



V801 Installation Guide

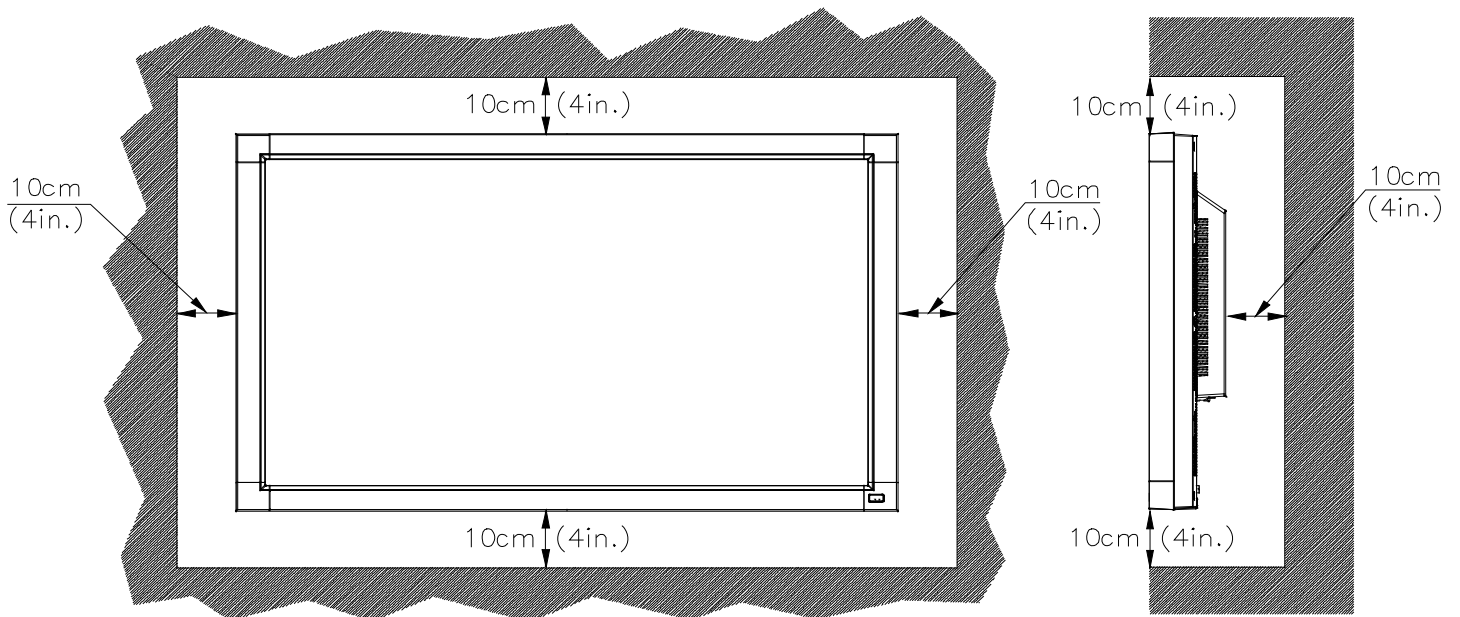
80" LCD Display

Rev 1.1

Ventilation Requirements:

Dimensions below are minimum required for proper ventilation.

Operating Temperature:
Landscape: 5– 40° C, 41– 104° F
Portrait: 5– 35° C, 41– 95° F



NOTE:

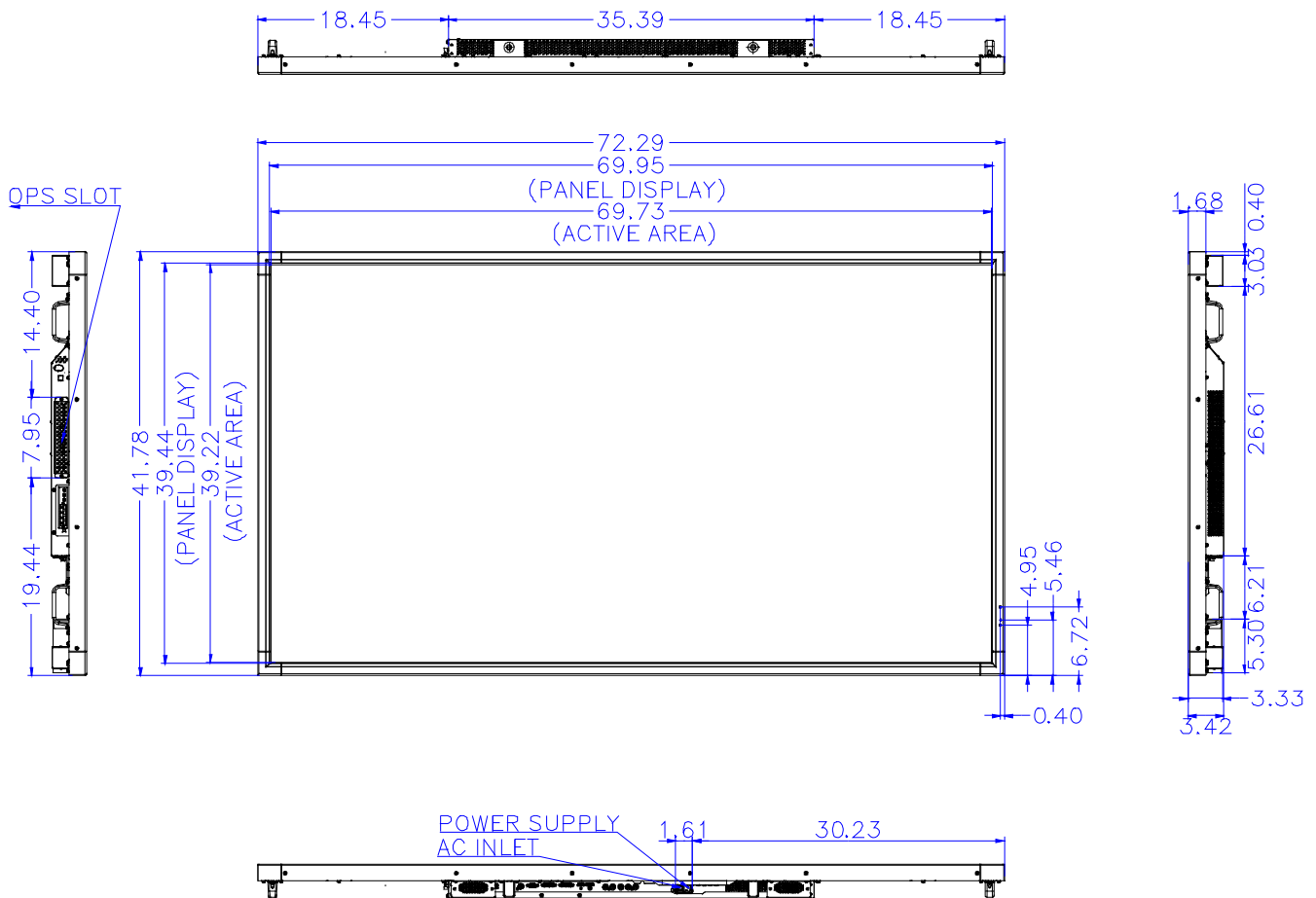
- The ventilation space should not be covered or closed off at the front of the opening. If for some reason the opening needs to be covered, other means of ventilation will need to be incorporated into the design. Contact NEC for design review and recommendations.

V801 Installation Guide

80" LCD Display

Rev 1.1

Display dimensions:

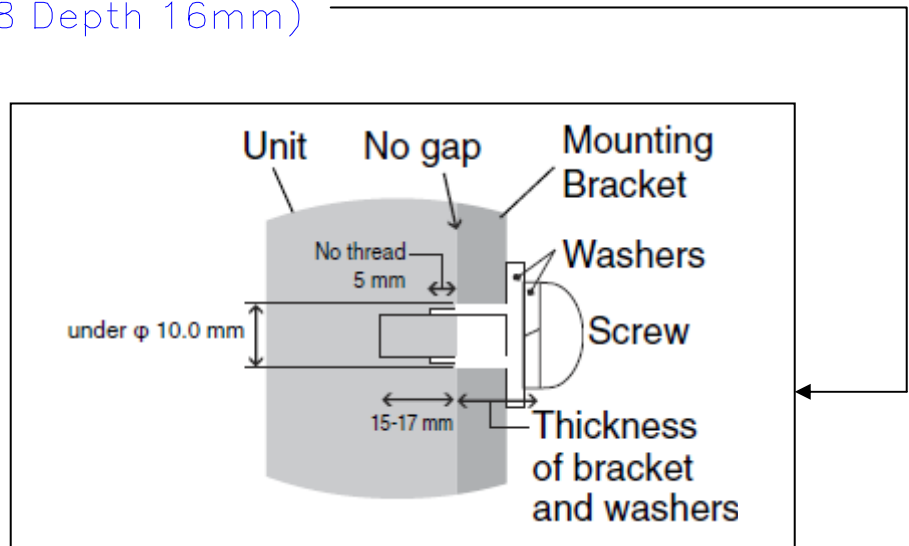
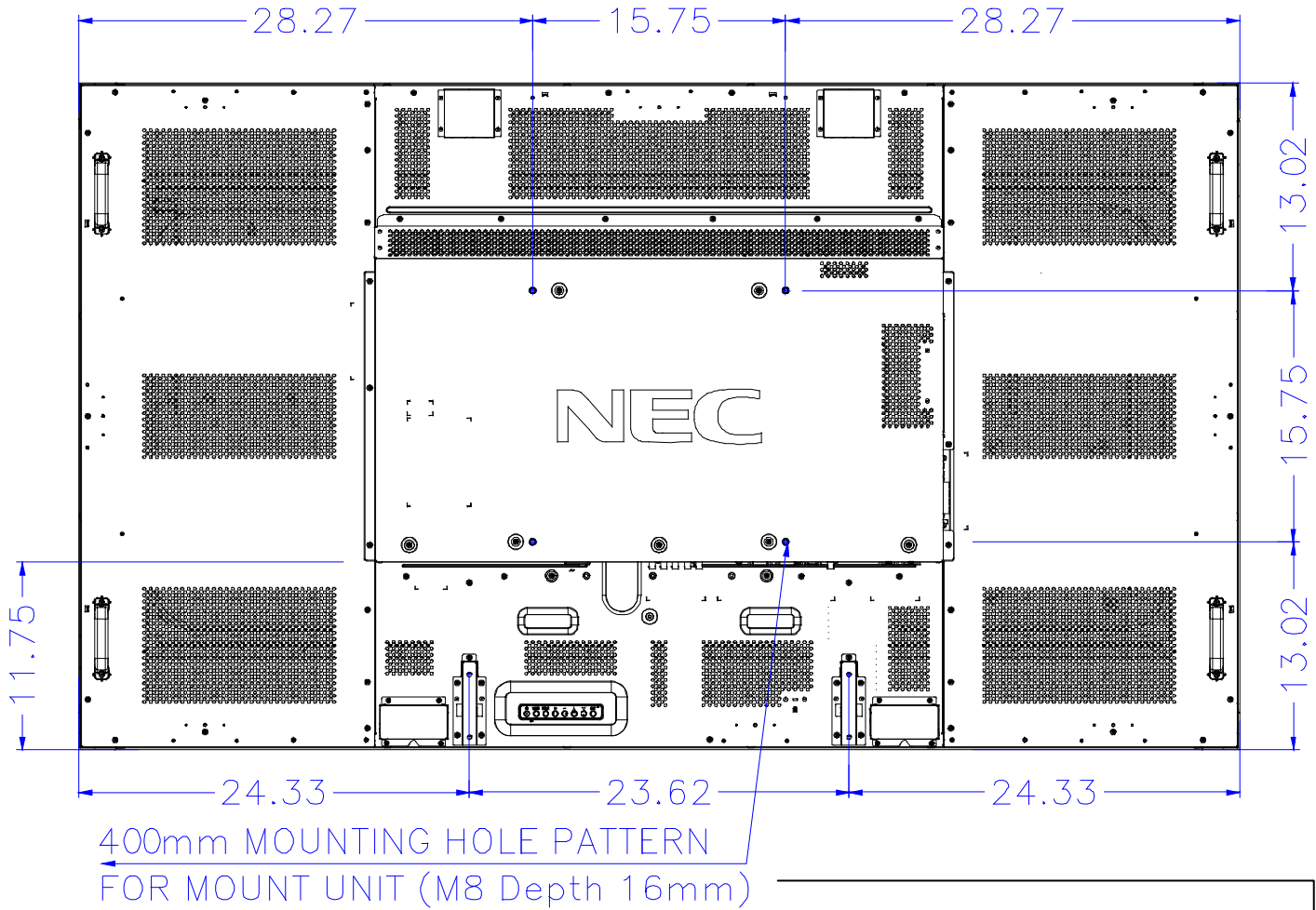


V801 Installation Guide

80" LCD Display

Rev 1.1

Display dimensions (cont.):

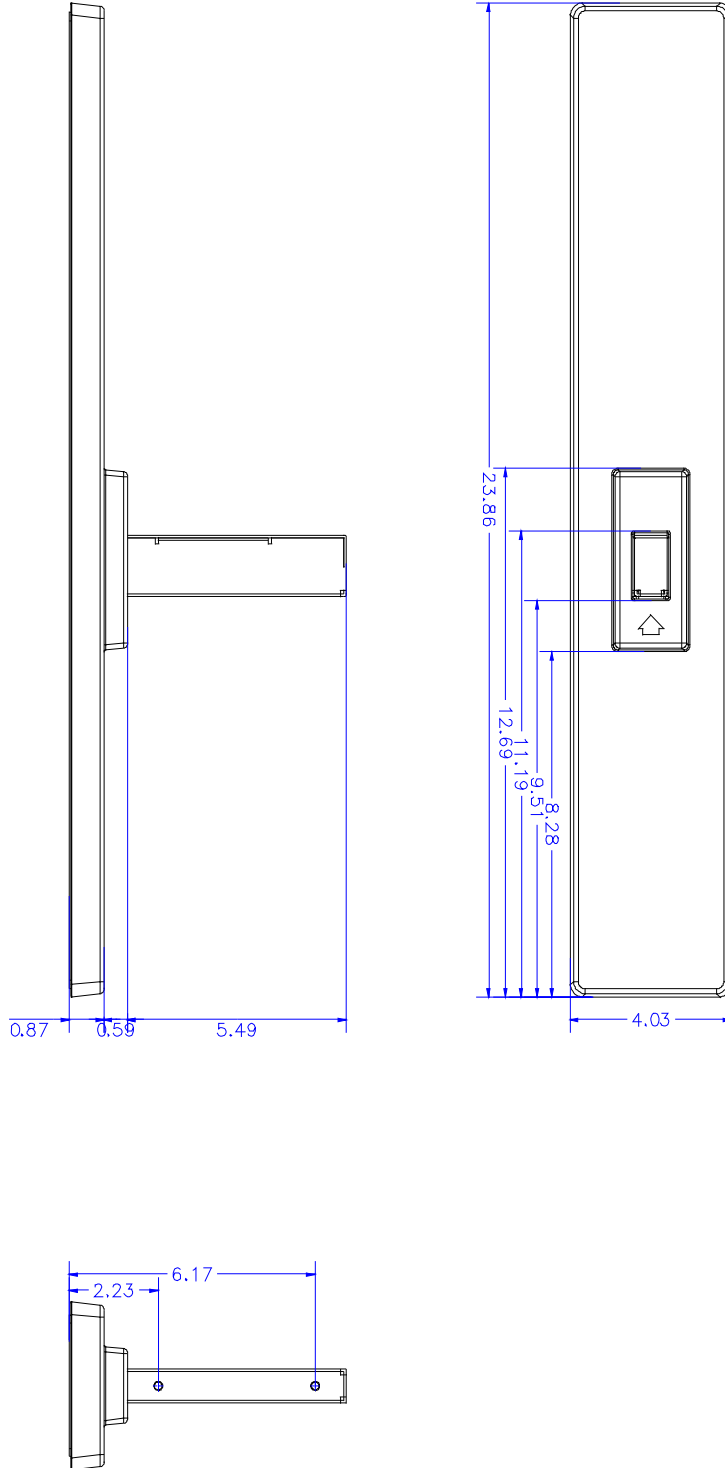


V801 Installation Guide

80" LCD Display

Rev 1.1

Table Top Stand Dimensions (ST-801):

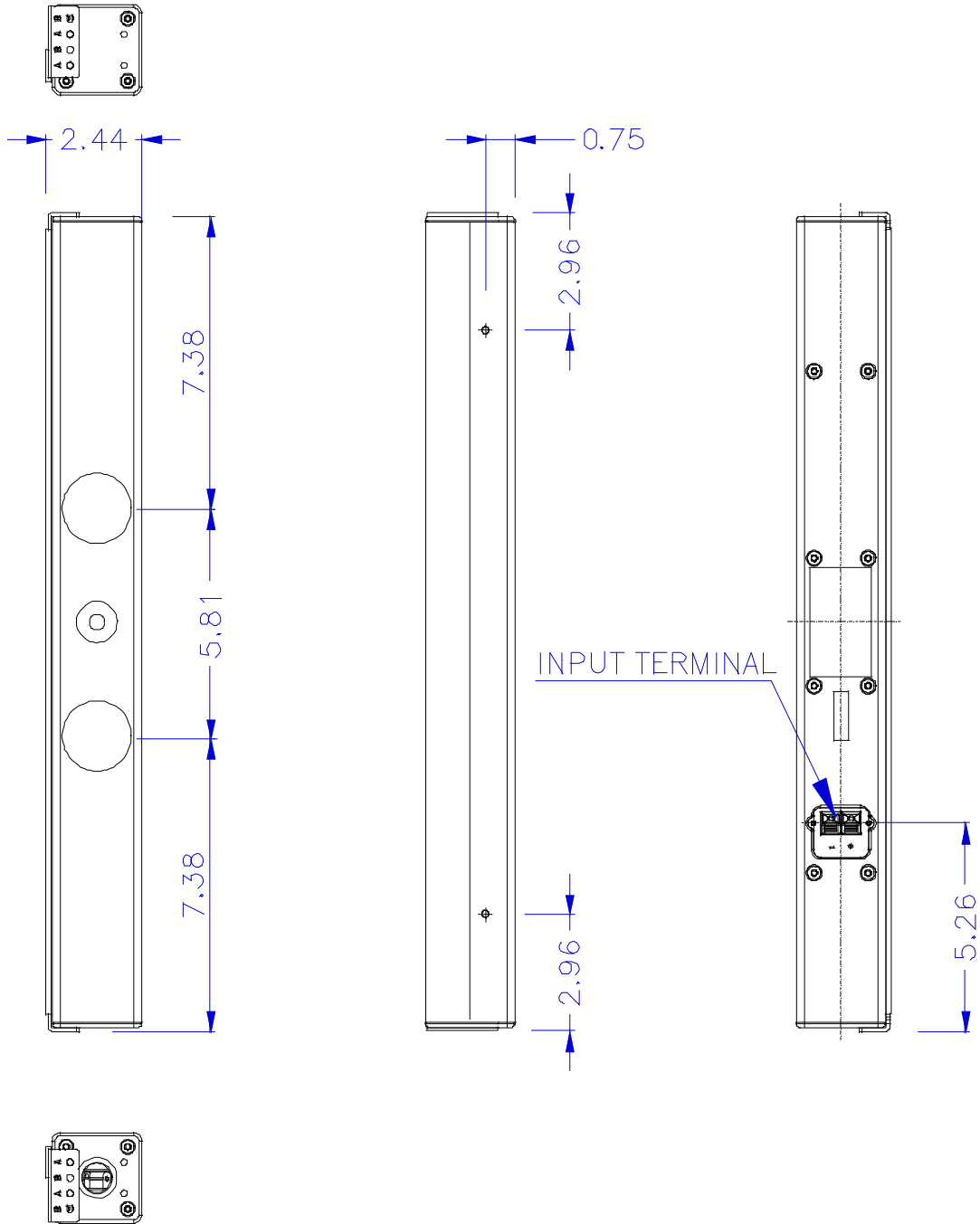


V801 Installation Guide

80" LCD Display

Rev 1.1

Optional Speaker Dimensions including holder (SP-RM1):

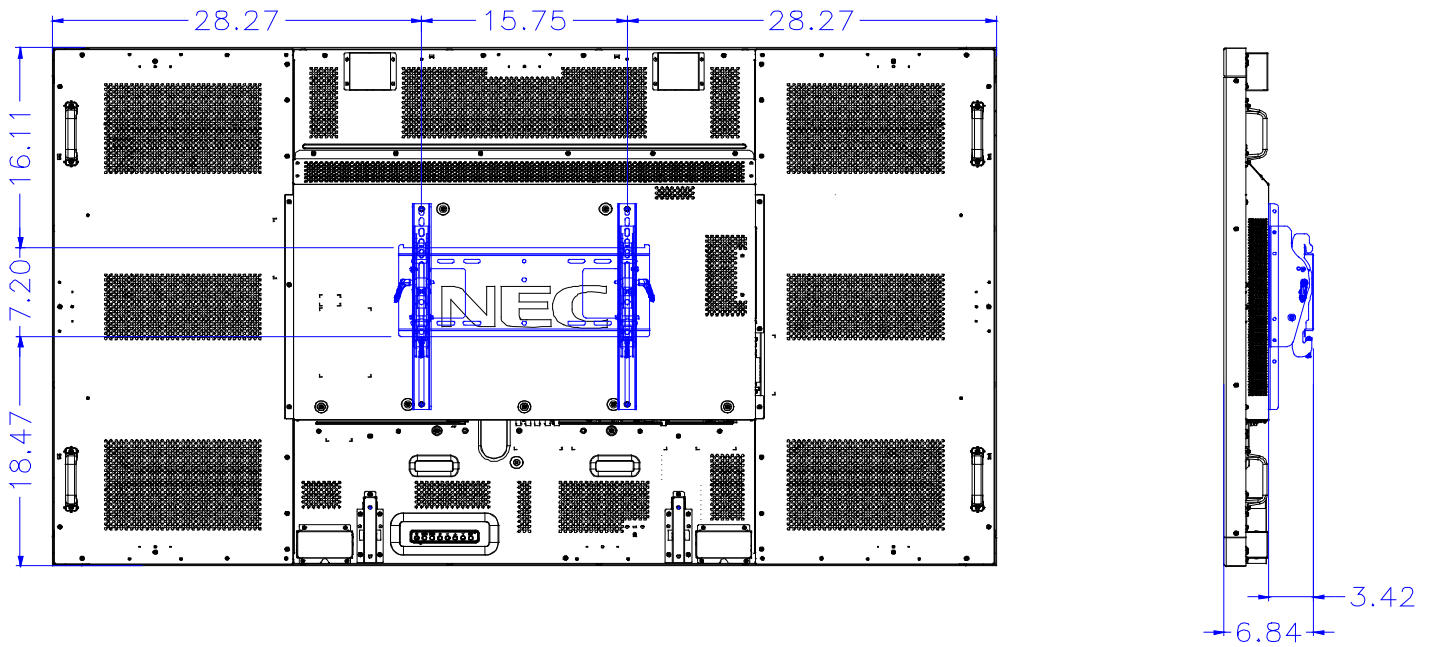


V801 Installation Guide

80" LCD Display

Rev 1.1

Dimensions with Optional Wall Mount Kit (WMK-3257):



V801 Installation Guide

80" LCD Display

Rev 1.1

Input Panel:

Bottom



Side (Rotated)



Control Codes:

Function (Monitor ID = 1)	Code Data
Power ON	01 30 41 30 41 30 43 02 43 32 30 33 44 36 30 30 30 31 03 73 0d
Power OFF	01 30 41 30 41 30 43 02 43 32 30 33 44 36 30 30 30 34 03 76 0d
Input Source Select DisplayPort	01 30 41 30 45 30 41 02 30 30 36 30 30 30 30 46 03 04 0d
Input Source Select DVI	01 30 41 30 45 30 41 02 30 30 36 30 30 30 30 33 03 71 0d
Input Source Select VGA	01 30 41 30 45 30 41 02 30 30 36 30 30 30 30 31 03 73 0d
Input Source Select HDMI	01 30 41 30 45 30 41 02 30 30 36 30 30 30 31 31 03 72 0d
Input Source Select DVD/HD	01 30 41 30 45 30 41 02 30 30 36 30 30 30 30 43 03 01 0d
Input Source Select VIDEO	01 30 41 30 45 30 41 02 30 30 36 30 30 30 30 35 03 77 0d
Input Source Select S-VIDEO	01 30 41 30 45 30 41 02 30 30 36 30 30 30 30 37 03 75 0d
Input Source Select OPTION	01 30 41 30 45 30 41 02 30 30 36 30 30 30 30 44 03 06 0d
Sound Mute ON	01 30 41 30 45 30 41 02 30 30 38 44 30 30 30 31 03 09 0d
Sound Mute OFF	01 30 41 30 45 30 41 02 30 30 38 44 30 30 30 32 03 0a 0d

NOTE: Contact your NEC rep for codes not listed.

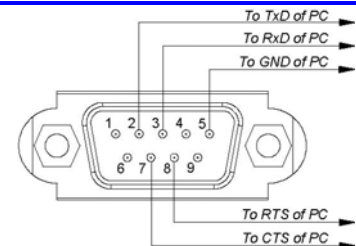
NOTE: Use a cross/reverse/null modem cable.

Cable Connection

Communication Protocol:

Interface: RS-232C
 Communication: Asynchronous
 Baud Rate: 9600 bps
 Data Length: 8 bits

Parity: None
 Stop Bit: 1 bit
 Communication Code: Hex
 PC Control Connector (D-Sub 9Pin)



NOTE:

- If so desired, jumper "Request to send" and "Clear to Send" together on both ends of the cable to simplify cable connection. These connections are not required. The only connections required are pins 2 (Rx/D), 3 (Tx/D) and 5 (GND).