

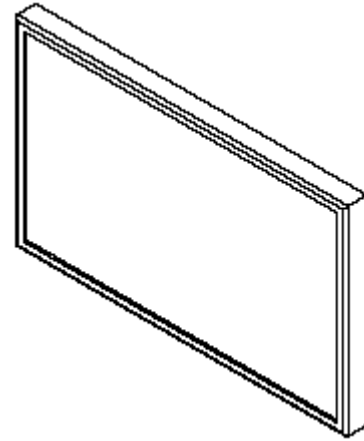
V463-TM Installation Guide

46" LCD Display

Rev 1.0

Contents

Product Description and Notes	Page 1
Tilt Angle and Rotation	Page 1
Ventilation Recommendations, Touch Driver Setup	Page 2
Display Dimensions	
Front, Top, Right, Left, Bottom	Page 3
Rear	Page 4
With stand	Page 5
Table Top Stand Dimensions	Page 6
Optional Speaker Dimensions	Page 7
Optional Speaker Dimensions	Page 8
Optional Wall Mount Dimensions (WMK-3255S)	Page 9
Input Panel, Control Codes	Page 10



Product Description

Type: LCD Display
Resolution: 1920 x 1080
Aspect Ratio: 16:9
FCC: Class B
Power Consumption: 85W (typ)
BTU's: 290.03 BTU/hour (typical)

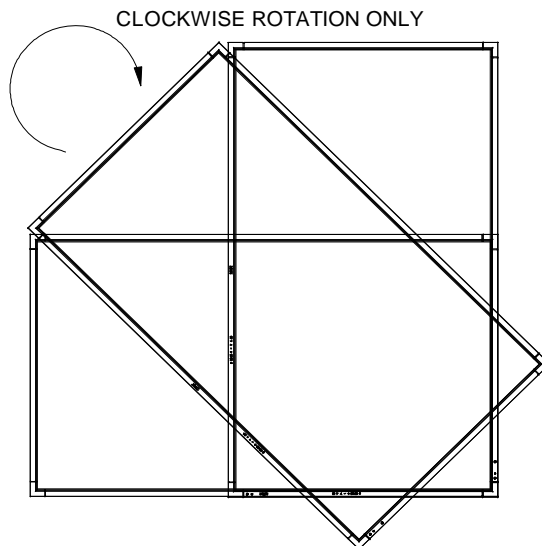
Screen Surface: Anti-Reflective Protective Glass
Dimensions without stand: 43.1"(W) x 25.6"(H) x 3.2"(D)
Dimensions with stand: 43.1"(W) x 27.0"(H) x 13.8"(D)
Weight without stand: 62.0 lbs
Weight with stand: 66.1 lbs

NOTES:

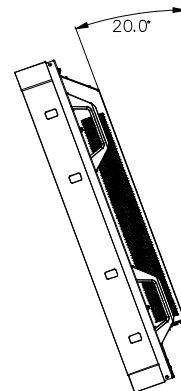
- This document is intended to be used as a reference guide to supply useful information for a design or installation. It is not intended to be a step-by step procedure for installation.
- Any ceilings or walls must be strong enough to support the monitor and the installation must be in accordance with any local building codes. All mounts should make secure contact to wood studs.
- 4:3 sources can be displayed on the 16:9 screen in either normal aspect ratio with bars on the left or right, or stretched horizontally to fill the screen using the menus (see "Aspect Modes" in menus and user manual).
- Distances are in inches, for millimeters multiply by 25.4.
- Distances may vary $\pm 5\%$.

Tilt Angle and Rotation

Below are the maximum angles that the monitor can be tilted in either landscape or portrait orientation.



MAXIMUM TILT ANGLE



V463-TM Installation Guide

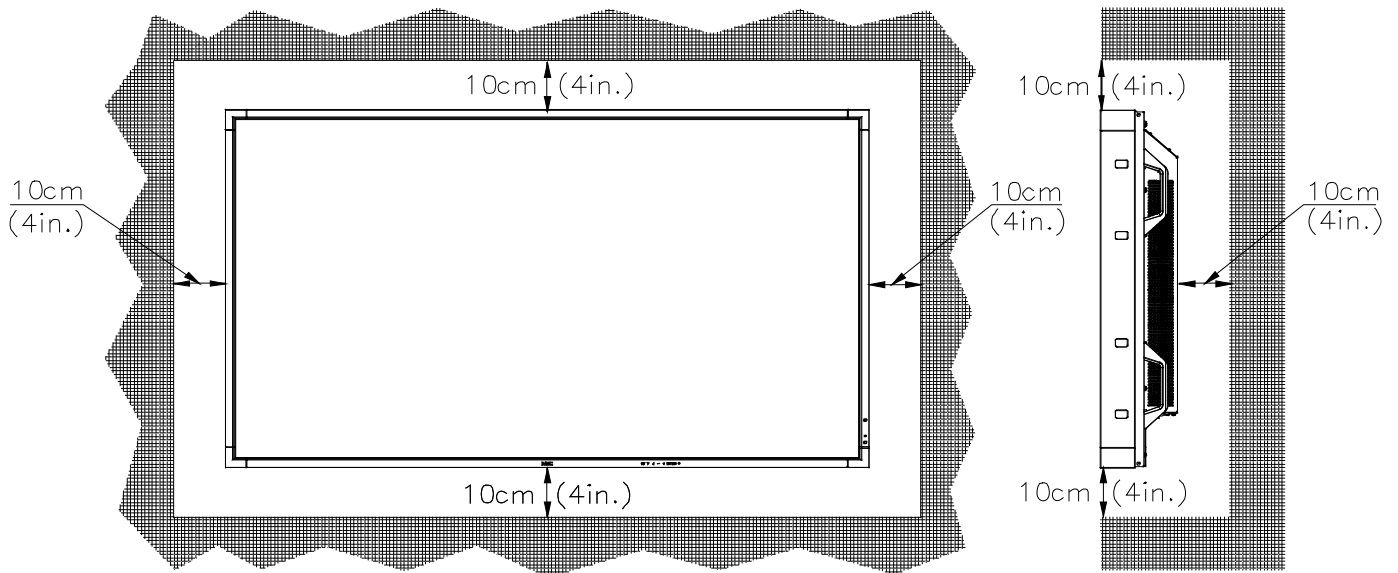
46" LCD Display

Rev 1.0

Ventilation Recommendations (all models)

Dimensions below are minimum recommended for proper ventilation.

Operating Temperature:
Landscape: 5–40 C, 41–104 F
Portrait: 5–40 C, 41–104 F



NOTE:

- The ventilation space should not be covered or closed off at the front of the opening. If for some reason the opening needs to be covered, other means of ventilation will need to be incorporated into the design. Contact NEC for design review and recommendations.

Touch Driver installation

- In order for the touchscreen to properly work, the source computer needs to be connected to the display via provided USB A to B cable. This connection on the screen is on the upper back right side. See image to the right.
- When plugging in the USB A to B cable from a Windows 7 or XP source computer to V463-TM, touch screen should react and act as a HID device, automatically downloading all touch driver information.
- USB plug-in is located on the upper portion of the left side of the display.

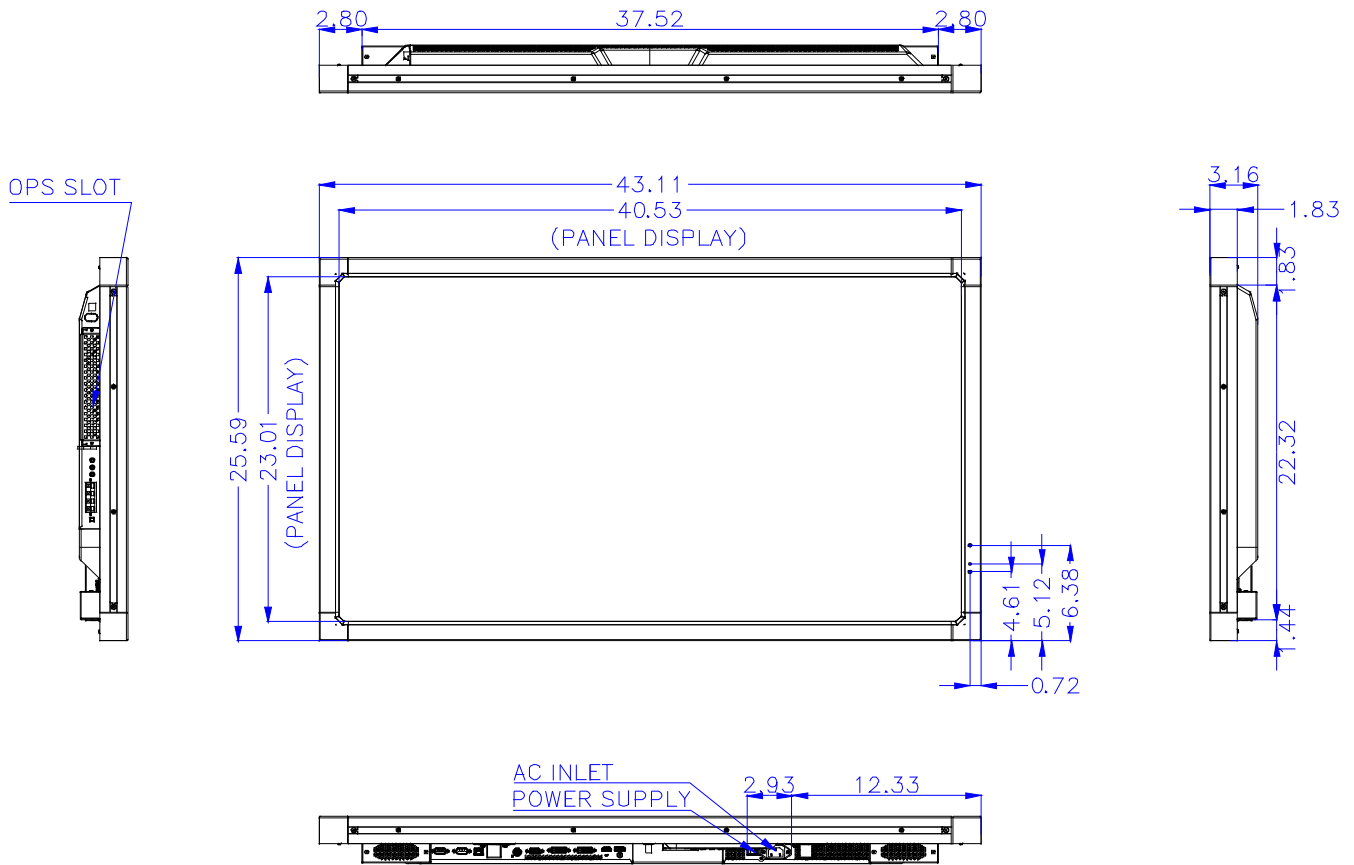


V463-TM Installation Guide

46" LCD Display

Rev 1.0

Display dimensions

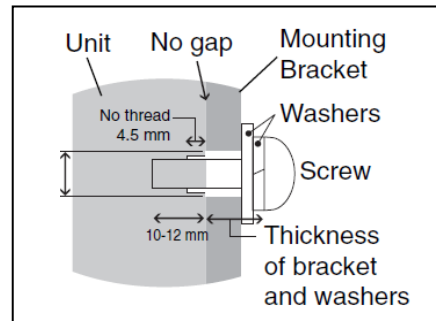
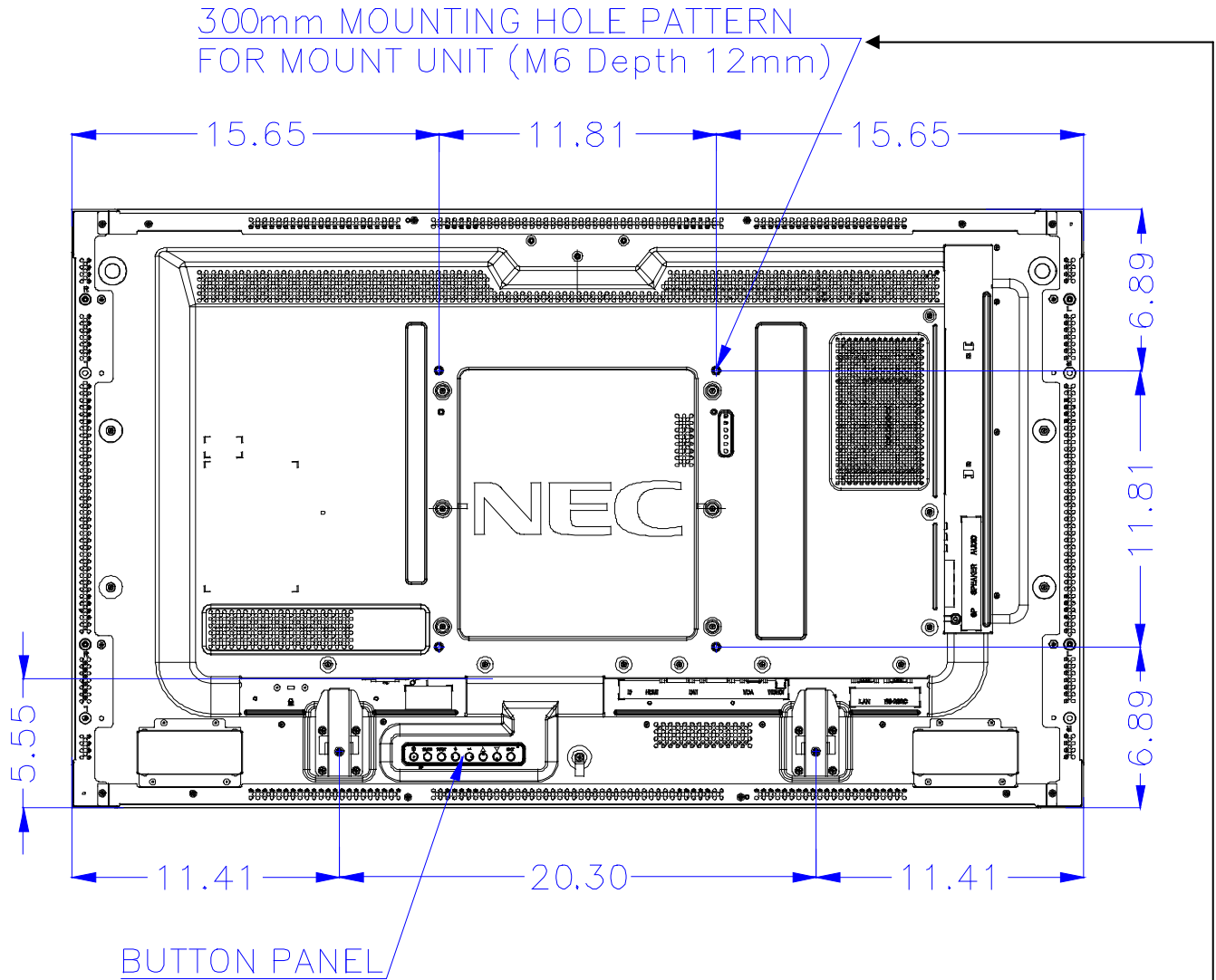


V463-TM Installation Guide

46" LCD Display

Rev 1.0

Display dimensions (cont.)

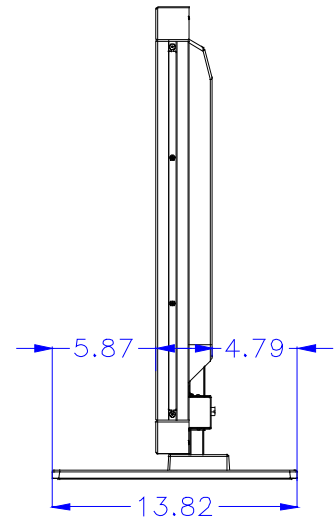
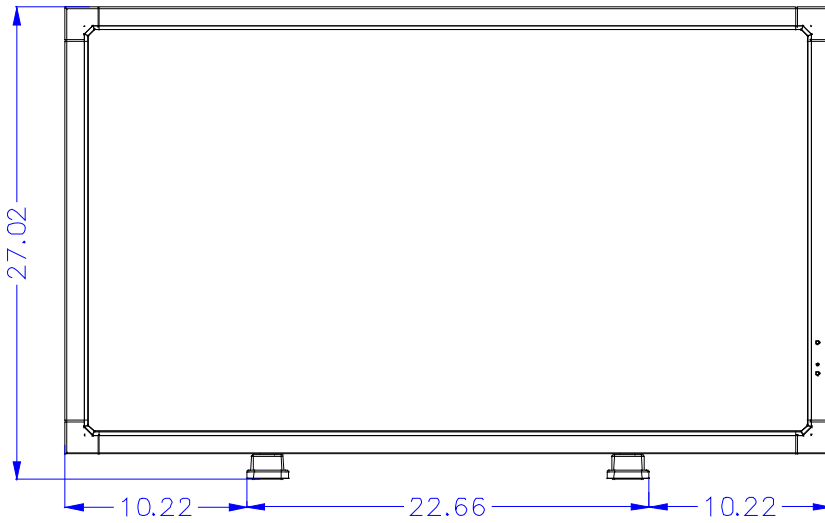
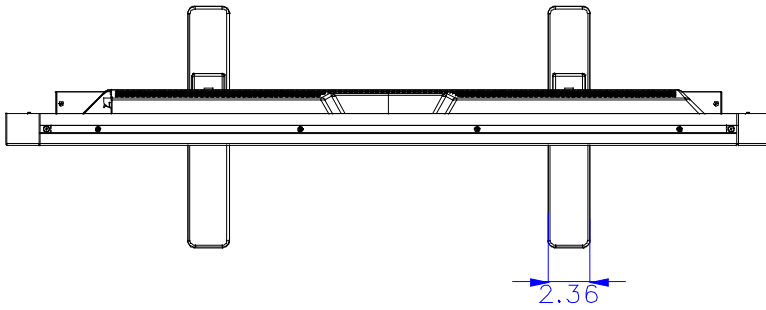


V463-TM Installation Guide

46" LCD Display

Rev 1.0

Dimensions with Optional Stand (ST-4620)

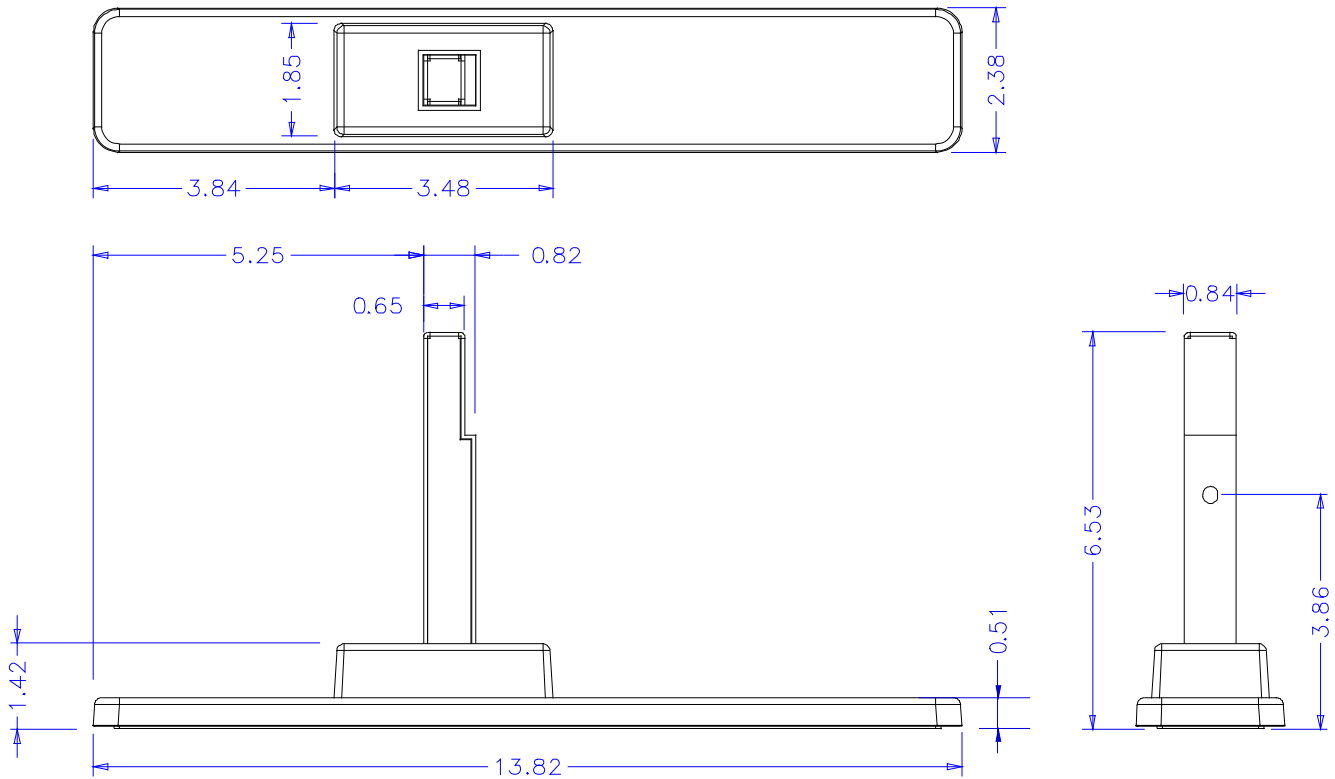


V463-TM Installation Guide

46" LCD Display

Rev 1.0

Table Top Stand Dimensions (ST-4620)

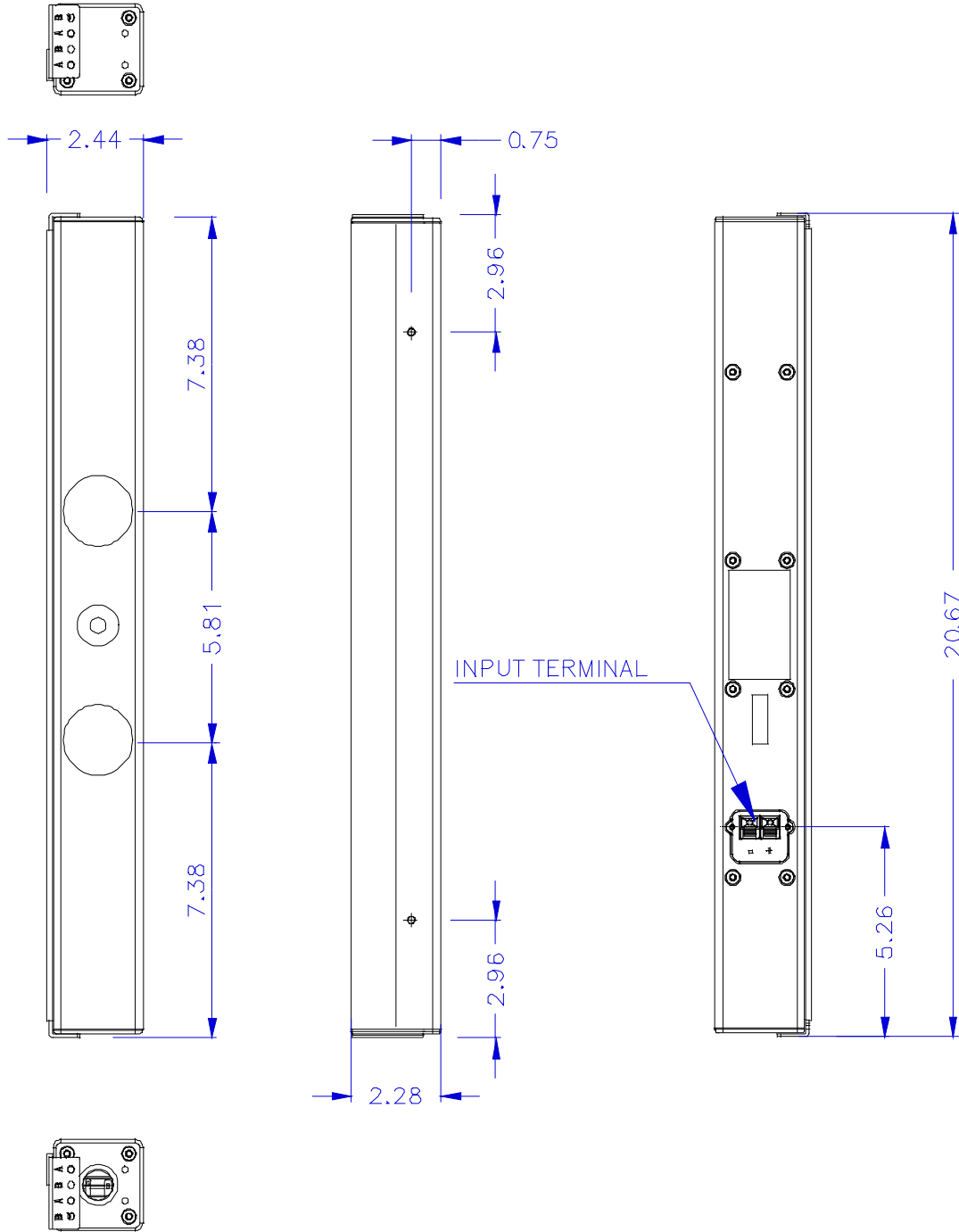


V463-TM Installation Guide

46" LCD Display

Rev 1.0

Optional Rear-Mounted Speaker Dimensions (SP-RM1)



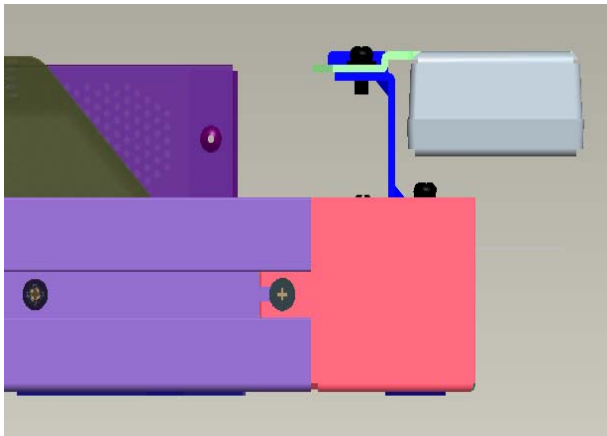
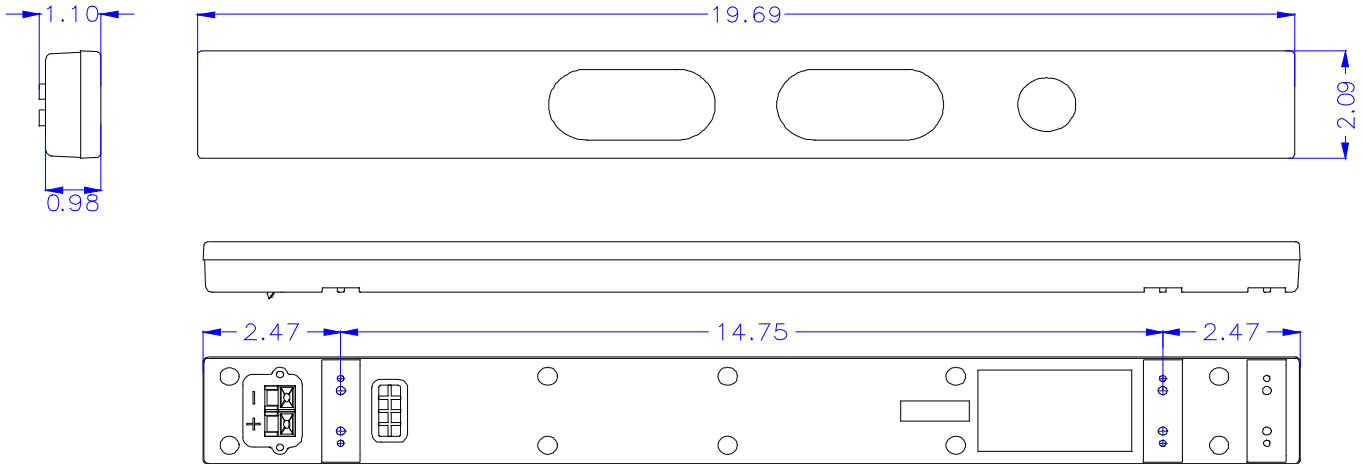
Note: External speakers are optional. The unit already contains 10W internal speakers

V463-TM Installation Guide

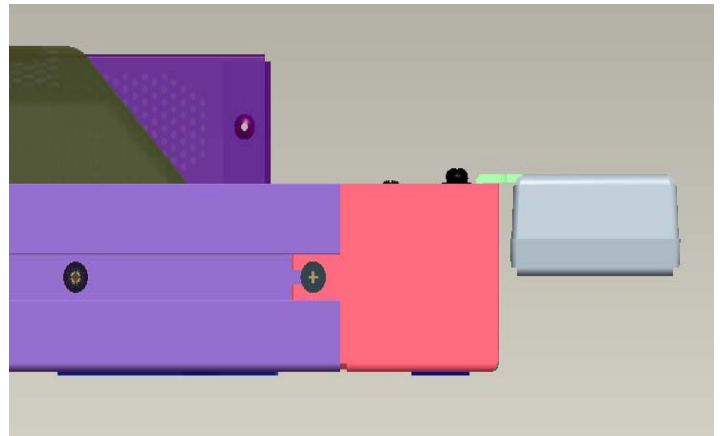
46" LCD Display

Rev 1.0

Optional Side Mounted Speaker (ST-TF1)



Back Attachment



Side Attachment

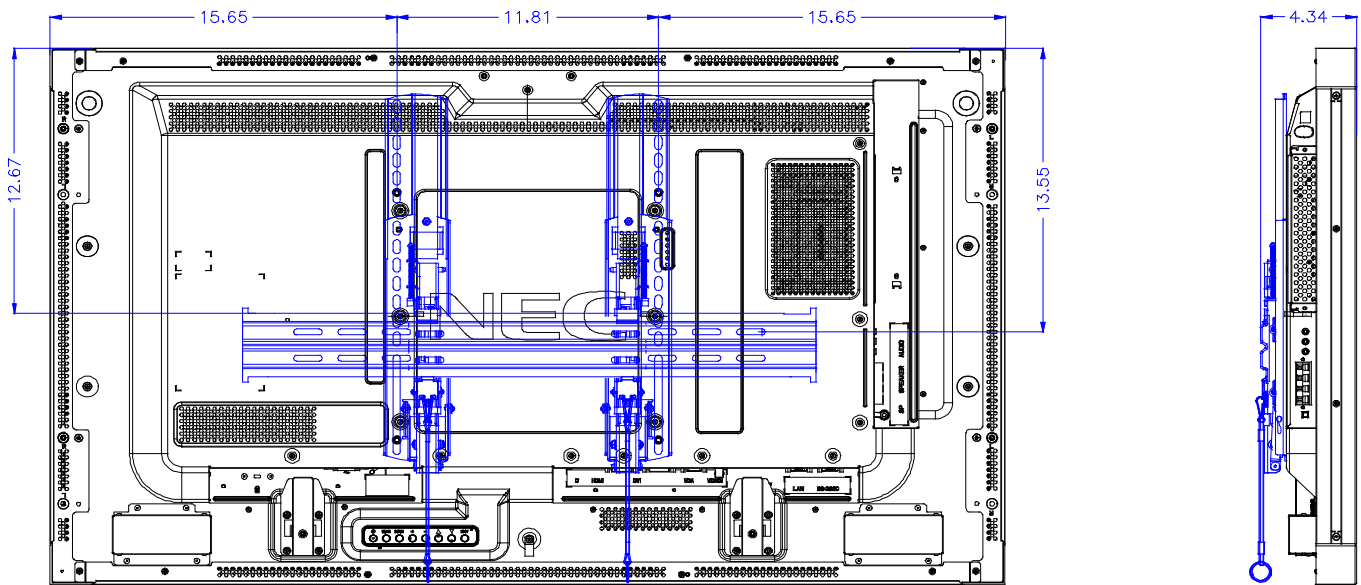
Note: External speakers are optional. The unit already contains 10W internal speakers.

V463-TM Installation Guide

46" LCD Display

Rev 1.0

Optional Mount (WMK-3255S)



Note: Mount can vary in position on display

V463-TM Installation Guide

46" LCD Display

Rev 1.0

Input Panel

Bottom:



Side:



Control Codes

Function (Monitor ID = 1)	Code Data
Power ON	01 30 41 30 41 30 43 02 43 32 30 33 44 36 30 30 30 31 03 73 0d
Power OFF	01 30 41 30 41 30 43 02 43 32 30 33 44 36 30 30 30 34 03 76 0d
Input Source Select DisplayPort	01 30 41 30 45 30 41 02 30 30 36 30 30 30 30 46 03 04 0d
Input Source Select DVI	01 30 41 30 45 30 41 02 30 30 36 30 30 30 30 33 03 71 0d
Input Source Select VGA	01 30 41 30 45 30 41 02 30 30 36 30 30 30 30 31 03 73 0d
Input Source Select HDMI	01 30 41 30 45 30 41 02 30 30 36 30 30 30 31 31 03 72 0d
Input Source Select DVD/HD	01 30 41 30 45 30 41 02 30 30 36 30 30 30 30 43 03 01 0d
Input Source Select VIDEO	01 30 41 30 45 30 41 02 30 30 36 30 30 30 30 35 03 77 0d
Input Source Select S-VIDEO	01 30 41 30 45 30 41 02 30 30 36 30 30 30 30 37 03 75 0d
Input Source Select OPTION	01 30 41 30 45 30 41 02 30 30 36 30 30 30 30 44 03 06 0d
Sound Mute ON	01 30 41 30 45 30 41 02 30 30 38 44 30 30 30 31 03 09 0d
Sound Mute OFF	01 30 41 30 45 30 41 02 30 30 38 44 30 30 30 32 03 0a 0d

NOTE: Contact your NEC rep for codes not listed.

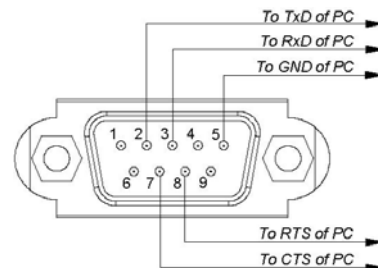
NOTE: Use a cross/reverse/null modem cable.

Cable Connection

Communication Protocol:

Interface: RS-232C
 Communication: Asynchronous
 Baud Rate: 9600 bps
 Data Length: 8 bits

Parity: None
 Stop Bit: 1 bit
 Communication Code: Hex



Note:

If so desired, jumper "Request to Send" and "Clear to Send" together on both ends of the cable to simplify cable connection. These connections are not required. The only connections required are pins 2 (TxD), 3 (RxD) and 5 (GND).