

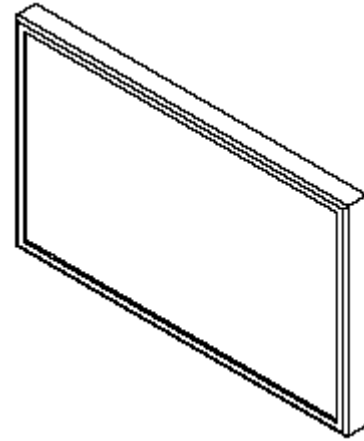
V462 Installation Guide

46" LCD Display

Rev 1.1

Contents

Product Description and Notes	Page 1
Tilt Angle and Rotation	Page 1
Ventilation Recommendations	Page 2
Display Dimensions	
Front, Top, Right, Left, Bottom	Page 3
Rear	Page 4
Table Top Stand Dimensions	Page 5
Optional Speaker Dimensions	Page 6
Optional Wall Mount Dimensions (WMK3257)	Page 7
Input Panel, Control Codes	Page 8



Product Description

Type: LCD Display
Resolution: 1920 x 1080
Aspect Ratio: 16:9
FCC: Class B
Power Consumption: 180W (typ)
BTU's: 614.18 BTU/hour

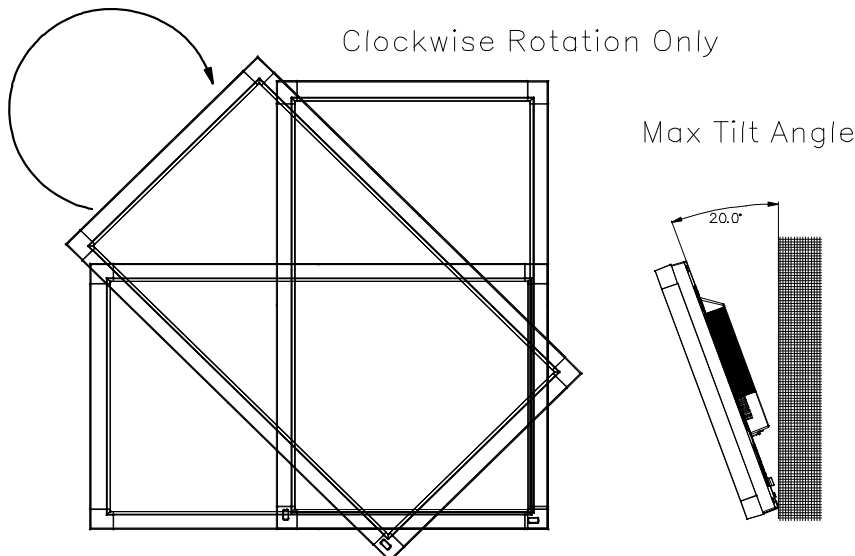
Screen Surface: Anti-Reflective
Dimensions without stand: 44.2"(W) x 26.2"(H) x 4.2"(D)
Dimensions with stand: 44.2"(W) x 27.7"(H) x 13.0"(D)
Weight without stand: 55.6 lbs
Weight with stand: 59.7 lbs

NOTES:

- This document is intended to be used as a reference guide to supply useful information for a design or installation. It is not intended to be a step-by step procedure for installation.
- Any ceilings or walls must be strong enough to support the monitor and the installation must be in accordance with any local building codes. All mounts should make secure contact to wood studs.
- 4:3 sources can be displayed on the 16:9 screen in either normal aspect ratio with bars on the left or right, or stretched horizontally to fill the screen using the menus (see "Aspect Modes" in menus and user manual).
- Distances are in inches, for millimeters multiply by 25.4.
- Distances may vary $\pm 5\%$.

Tilt Angle and Rotation

Below are the maximum angles that the monitor can be tilted in either landscape or portrait orientation.



V462 Installation Guide

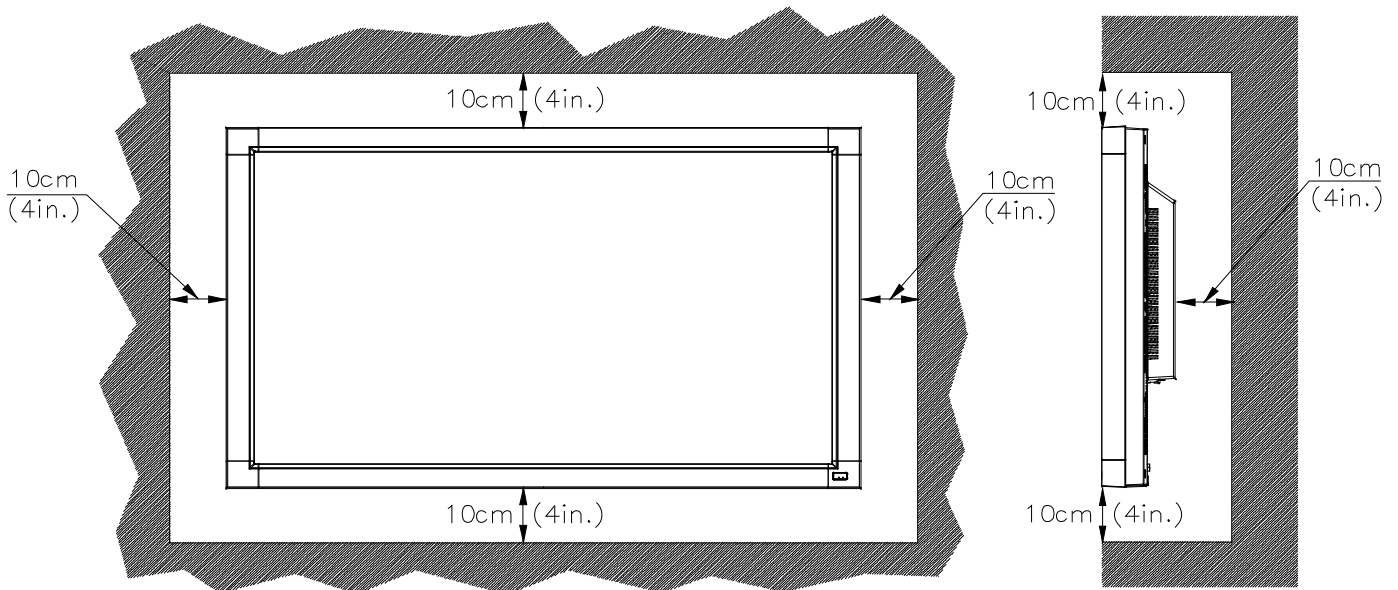
46" LCD Display

Rev 1.1

Ventilation Recommendations (all models)

Dimensions below are minimum recommended for proper ventilation.

Operating Temperature:
Landscape: 5–40° C, 41–104° F
Portrait: 5–35° C, 41–95° F



NOTE:

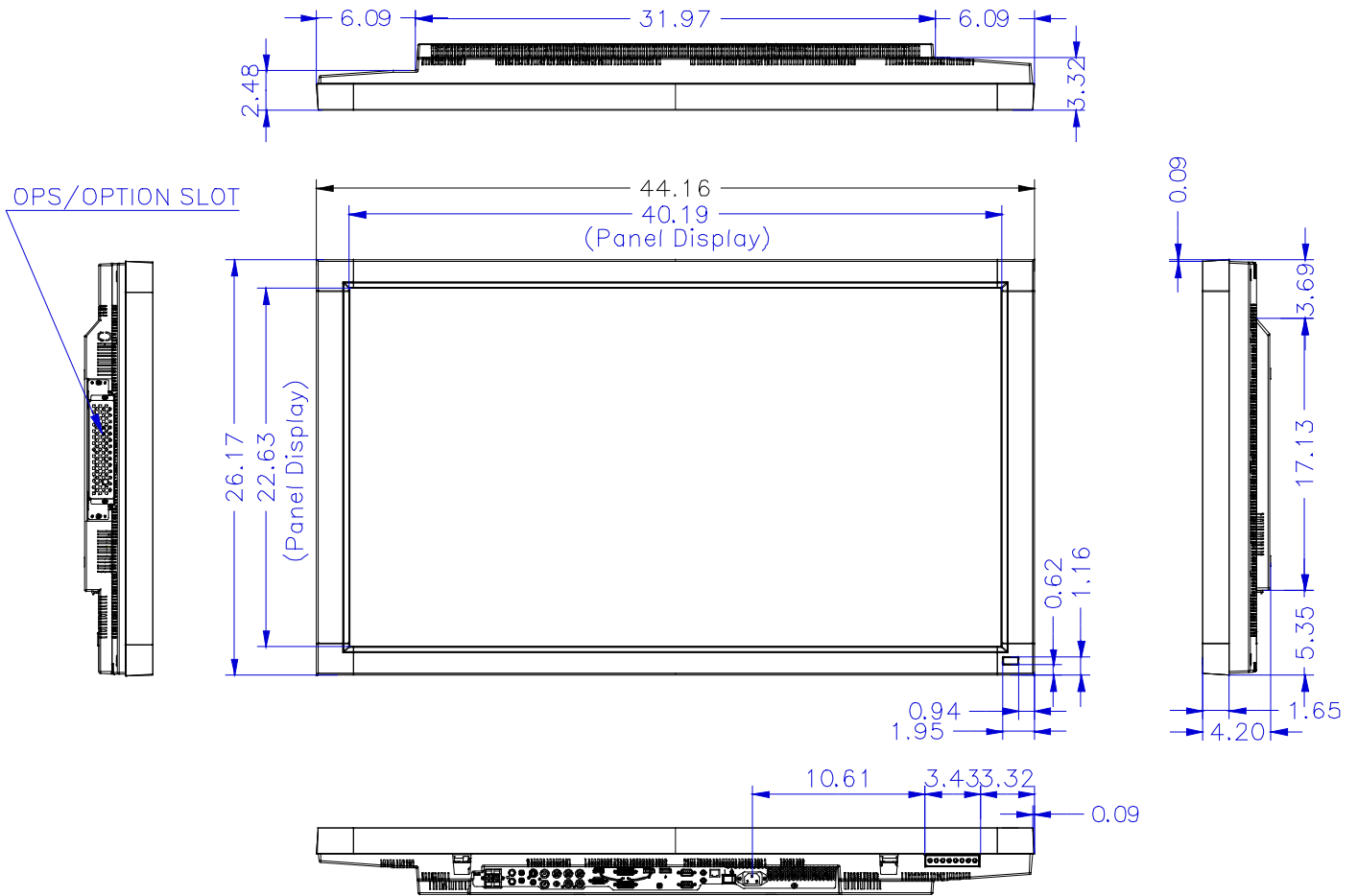
- The ventilation space should not be covered or closed off at the front of the opening. If for some reason the opening needs to be covered, other means of ventilation will need to be incorporated into the design. Contact NEC for design review and recommendations.

V462 Installation Guide

46" LCD Display

Rev 1.1

Display dimensions

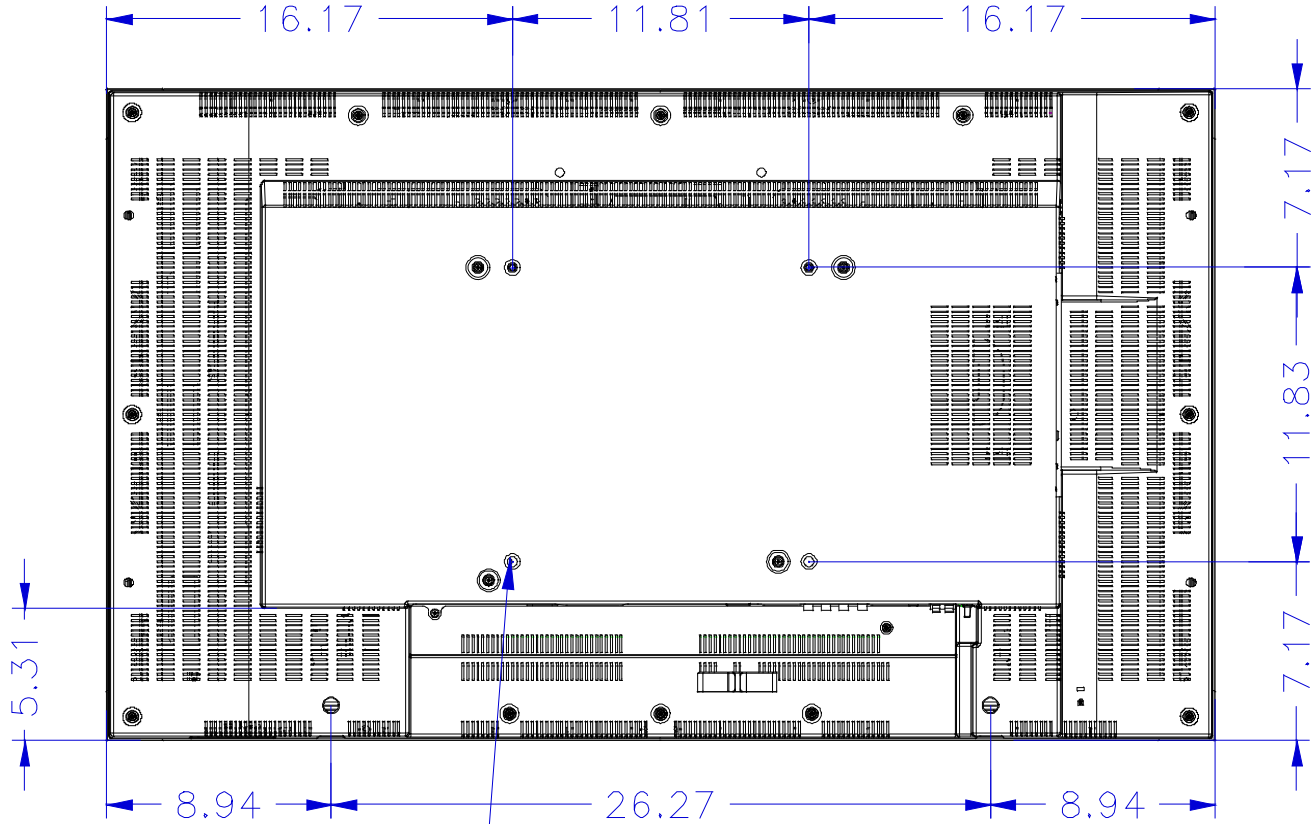


V462 Installation Guide

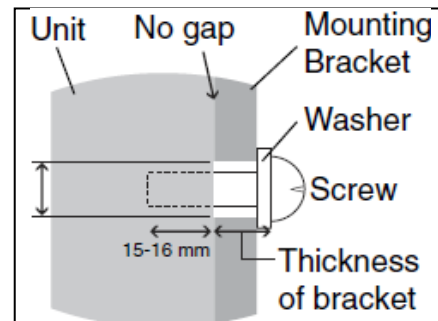
46" LCD Display

Rev 1.1

Display dimensions (cont.)



300mm x 300mm MOUNTING HOLE PATTERN
FOR MOUNT UNIT (M6 Depth 16mm)
4-HOLE PATTERN

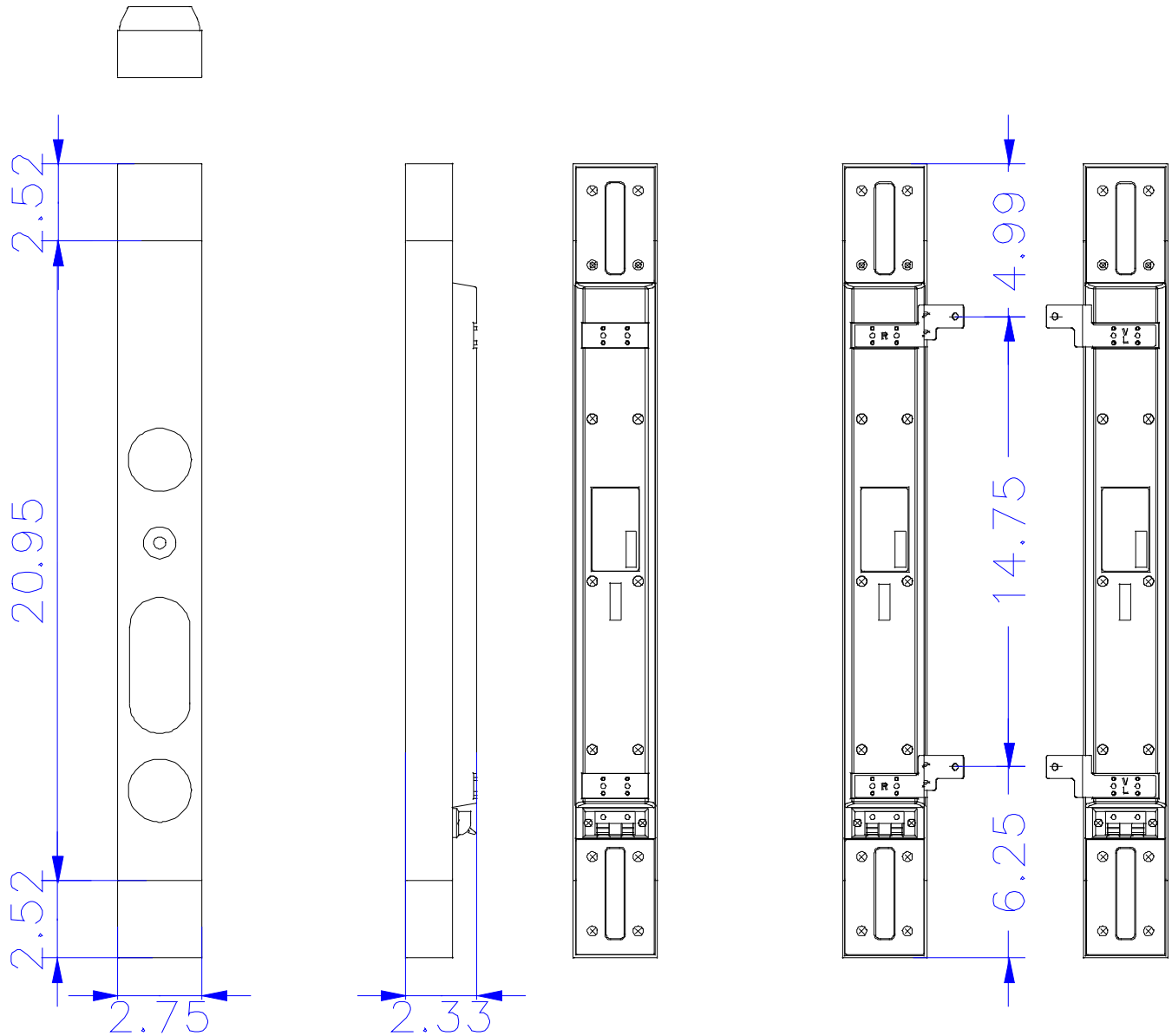


V462 Installation Guide

46" LCD Display

Rev 1.1

Optional Speaker Dimensions (SP-4046PV)



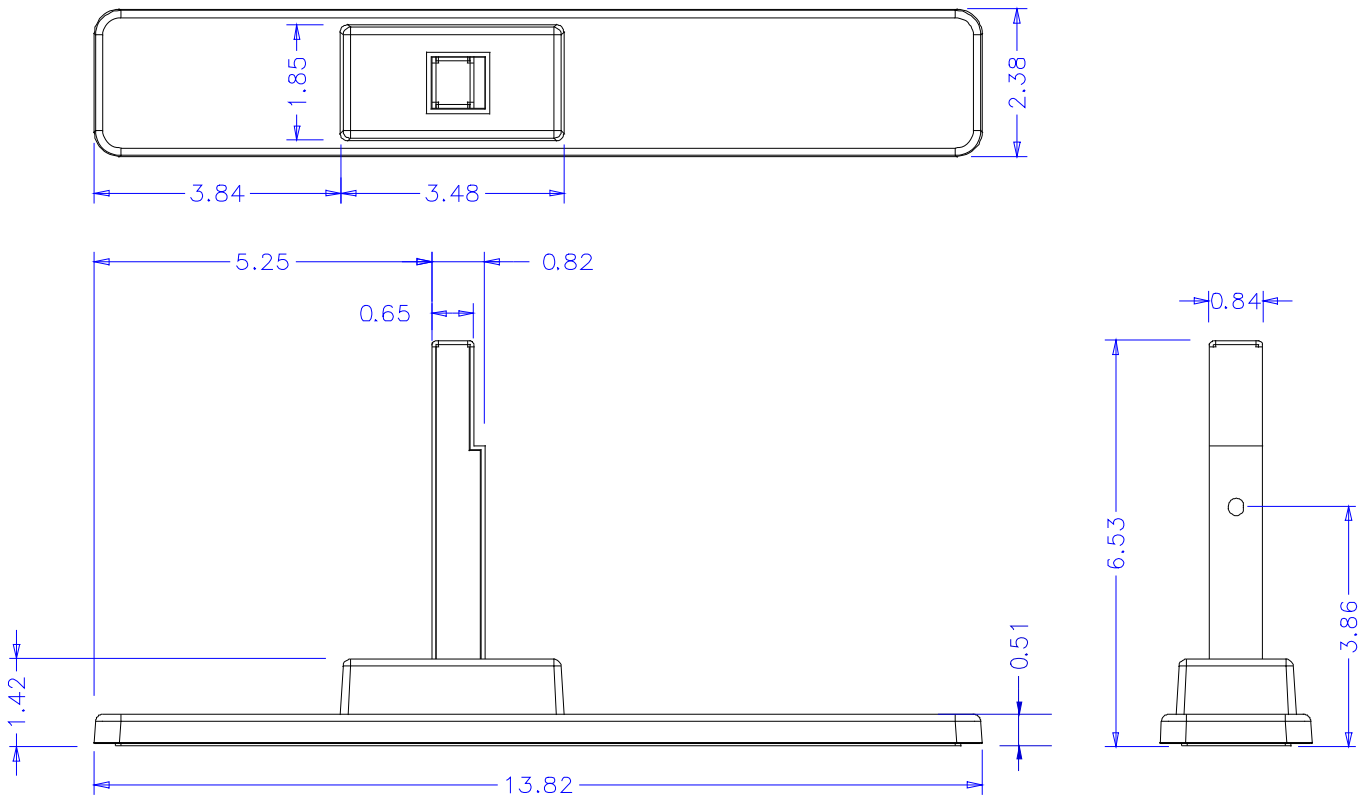
Note: External speakers are optional. The unit already contains 15W Internal speakers

V462 Installation Guide

46" LCD Display

Rev 1.1

Table Top Stand Dimensions (ST-4620)

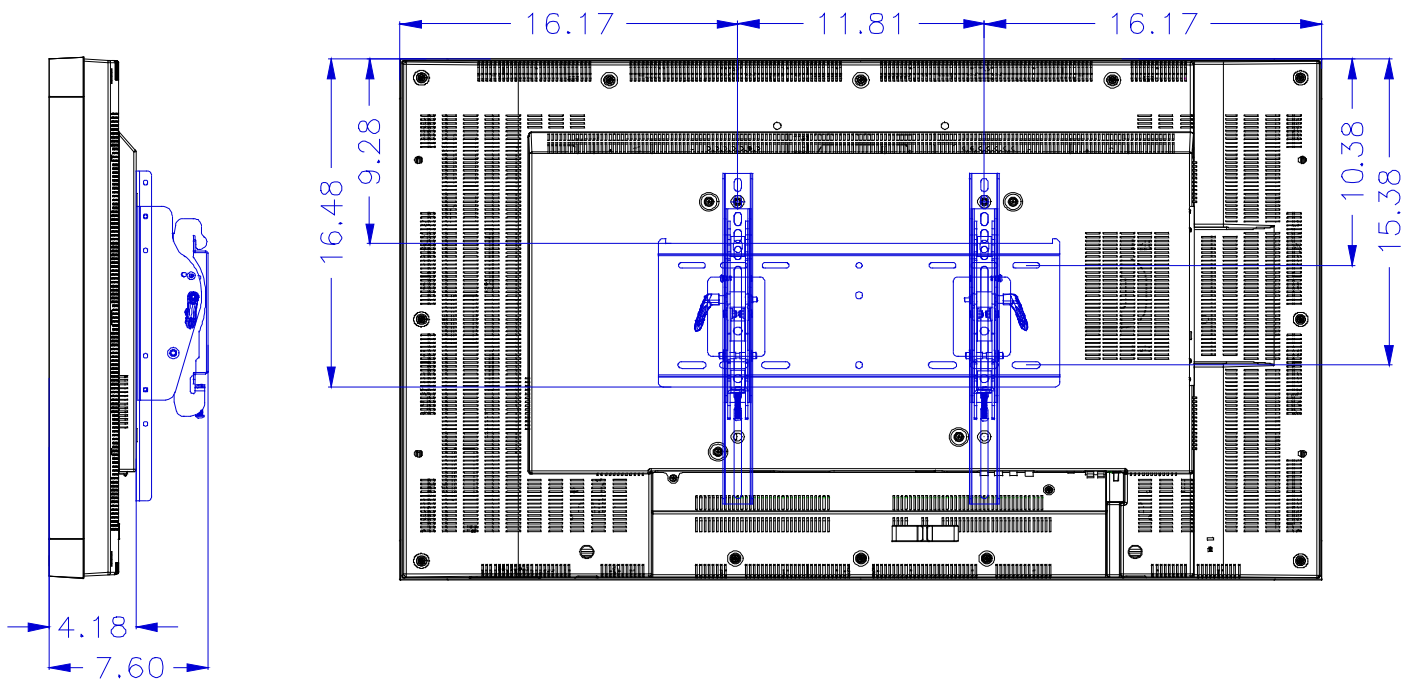


V462 Installation Guide

46" LCD Display

Rev 1.1

Dimensions with optional Wall Mount Kit (WMK3257)



Note:

Drawing above shown with 400mm extender brackets included with WMK-3257 mount

V462 Installation Guide

46" LCD Display

Rev 1.1

Input Panel

Bottom:



Control Codes

Function		Code Data
POWER	ON	01 30 41 30 41 30 43 02 43 32 30 33 44 36 30 30 30 31 03 73 0D
	OFF	01 30 41 30 41 30 43 02 43 32 30 33 44 36 30 30 30 34 03 76 0D
INPUT SWITCH	VGA (15pin HD)	01 30 41 30 45 30 41 02 30 30 36 30 30 30 30 31 03 73 0D
	RGBHV	01 30 41 30 45 30 41 02 30 30 36 30 30 30 30 32 03 70 0D
	DVI	01 30 41 30 45 30 41 02 30 30 36 30 30 30 30 33 03 71 0D
	HDMI	01 30 41 30 45 30 41 02 30 30 36 30 30 30 30 34 03 76 0D
	VIDEO (Composite)	01 30 41 30 45 30 41 02 30 30 36 30 30 30 30 35 03 77 0D
	DVD/HD	01 30 41 30 45 30 41 02 30 30 36 30 30 30 30 43 03 01 0D
	S-Video	01 30 41 30 45 30 41 02 30 30 36 30 30 30 30 37 03 75 0D
AUDIO MUTE	ON	01 30 41 30 45 30 41 02 30 30 38 44 30 30 30 31 03 09 0D
	OFF	01 30 41 30 45 30 41 02 30 30 38 44 30 30 30 32 03 0A 0D
PICTURE MODE	sRGB	01 30 41 30 45 30 41 02 30 32 31 41 30 30 30 31 03 07 0D
	HIBRIGHT	01 30 41 30 45 30 41 02 30 32 31 41 30 30 30 33 03 05 0D
	STANDARD	01 30 41 30 45 30 41 02 30 32 31 41 30 30 30 34 03 02 0D
	CINEMA	01 30 41 30 45 30 41 02 30 32 31 41 30 30 30 35 03 03 0D
SCREEN MODE:	NORMAL	01 30 41 30 45 30 41 02 30 32 37 30 30 30 30 31 03 70 0D
	FULL	01 30 41 30 45 30 41 02 30 32 37 30 30 30 30 32 03 73 0D
	WIDE	01 30 41 30 45 30 41 02 30 32 37 30 30 30 30 33 03 72 0D
	ZOOM	01 30 41 30 45 30 41 02 30 32 37 30 30 30 30 34 03 75 0D
AUTO SETUP	EXECUTE	01 30 41 30 45 30 41 02 30 30 31 45 30 30 30 31 03 01 0D

NOTE: Contact your NEC rep for codes not listed.

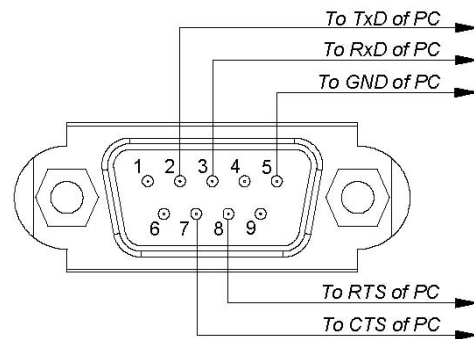
NOTE: Use a cross/reverse/null modem cable.

Cable Connection

Communication Protocol:

Interface: RS-232C
 Communication: Asynchronous
 Baud Rate: 9600 bps
 Data Length: 8 bits

Parity: None
 Stop Bit: 1 bit
 Communication Code: Hex



Note:

If so desired, jumper "Request to Send" and "Clear to Send" together on both ends of the cable to simplify cable connection. These connections are not required. The only connections required are pins 2 (RxD), 3 (TxD) and 5 (GND).