

V323-2 Installation Guide

32" LCD Display

Contents

Product Description and Notes	Page 1
Tilt Angle and Rotation	Page 1
Ventilation Recommendations	Page 2
Display Dimensions	
Front, Top, Left, Right, Bottom	Page 3
Rear	Page 4
Optional Wall Mount Dimensions (WMK-3255S)	Page 5
Optional Wall Mount Dimensions (WMK-3257)	Page 6
Table Top Stand Dimensions	Page 7
Input Panel	Page 8
Control Codes	Page 8
Cable Connection	Page 9

Product Description

Type:	LCD Display	Screen Surface:	Anti-Reflective
Resolution:	1366 x 768	Dimensions without stand:	29.5"(W) x 17.5"(H) x 2.4"(D)
Aspect Ratio:	16:9	Dimensions with stand:	29.5"(w) X 19.6"(h) X 6.8"(D)
FCC:	Class A	Weight without stand:	20.9 lbs
Power Consumption:	65W (max brightness/speaker active)	Weight with stand:	23.8 lbs
BTU's:	221.79 BTU/hour		

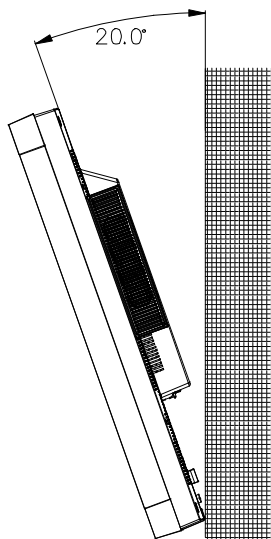
NOTES:

- This document is intended to be used as a reference guide to supply useful information for a design or installation. It is not intended to be a step-by step procedure for installation.
- Any ceilings or walls must be strong enough to support the monitor and the installation must be in accordance with any local building codes. All mounts should make secure contact to wood studs.
- 4:3 sources can be displayed on the 16:9 screen in either normal aspect ratio with bars on the left or right, or stretched horizontally to fill the screen using the menus (see "Aspect Modes" in menus and user manual).
- Distances are in inches, for millimeters multiply by 25.4.
- Distances may vary ±5%.

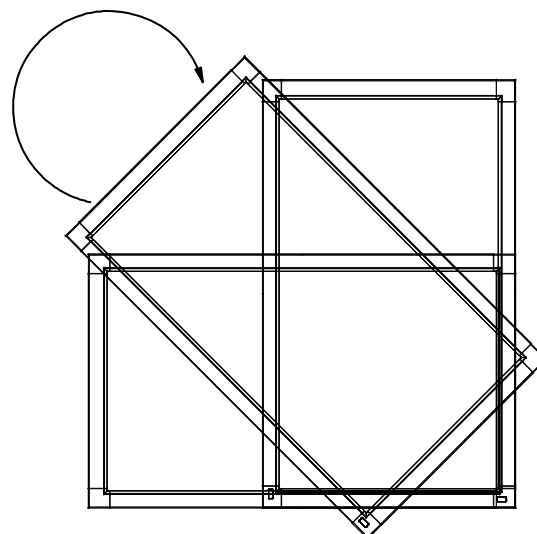
Tilt Angle and Rotation

Below are the maximum angles that the monitor can be tilted in the landscape position only.

Max Tilt Angle



Clockwise Rotation Only



V323-2 Installation Guide

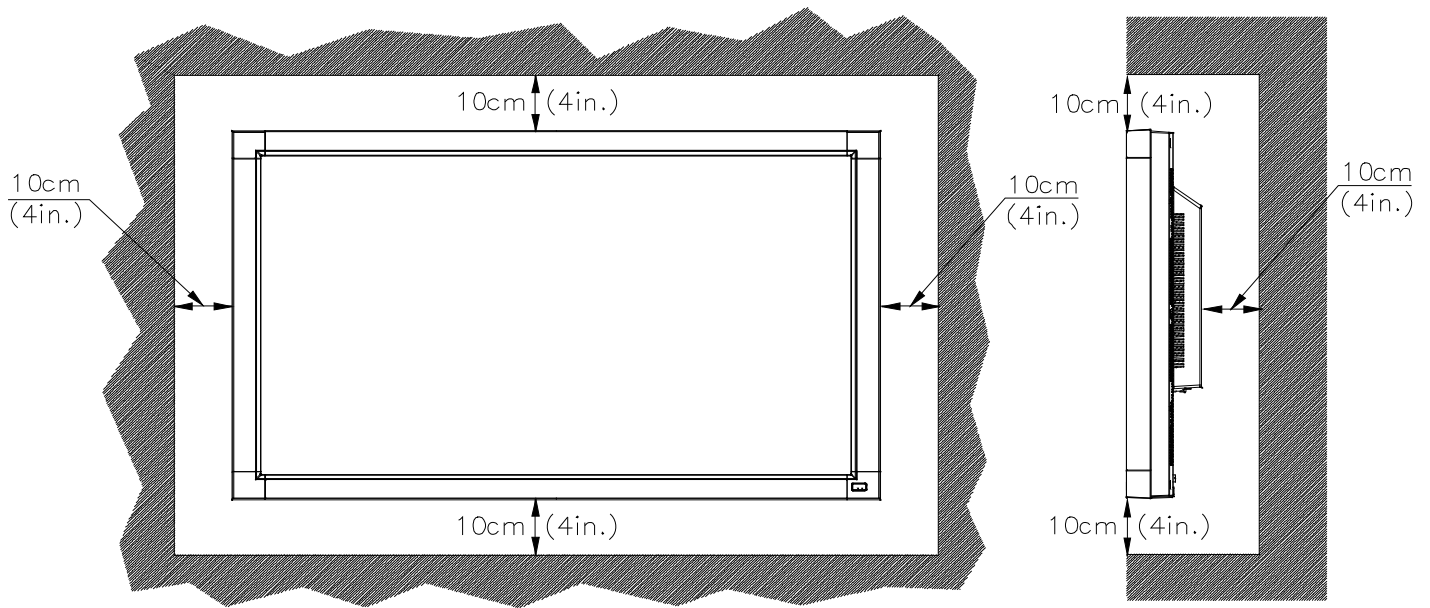
32" LCD Display

Rev 1.0

Ventilation Recommendations

Dimensions below are minimum required for proper ventilation.

Operating Temperature:
Landscape: 5–40° C, 41–104° F
Portrait: 5–35° C, 41–95° F



NOTE:

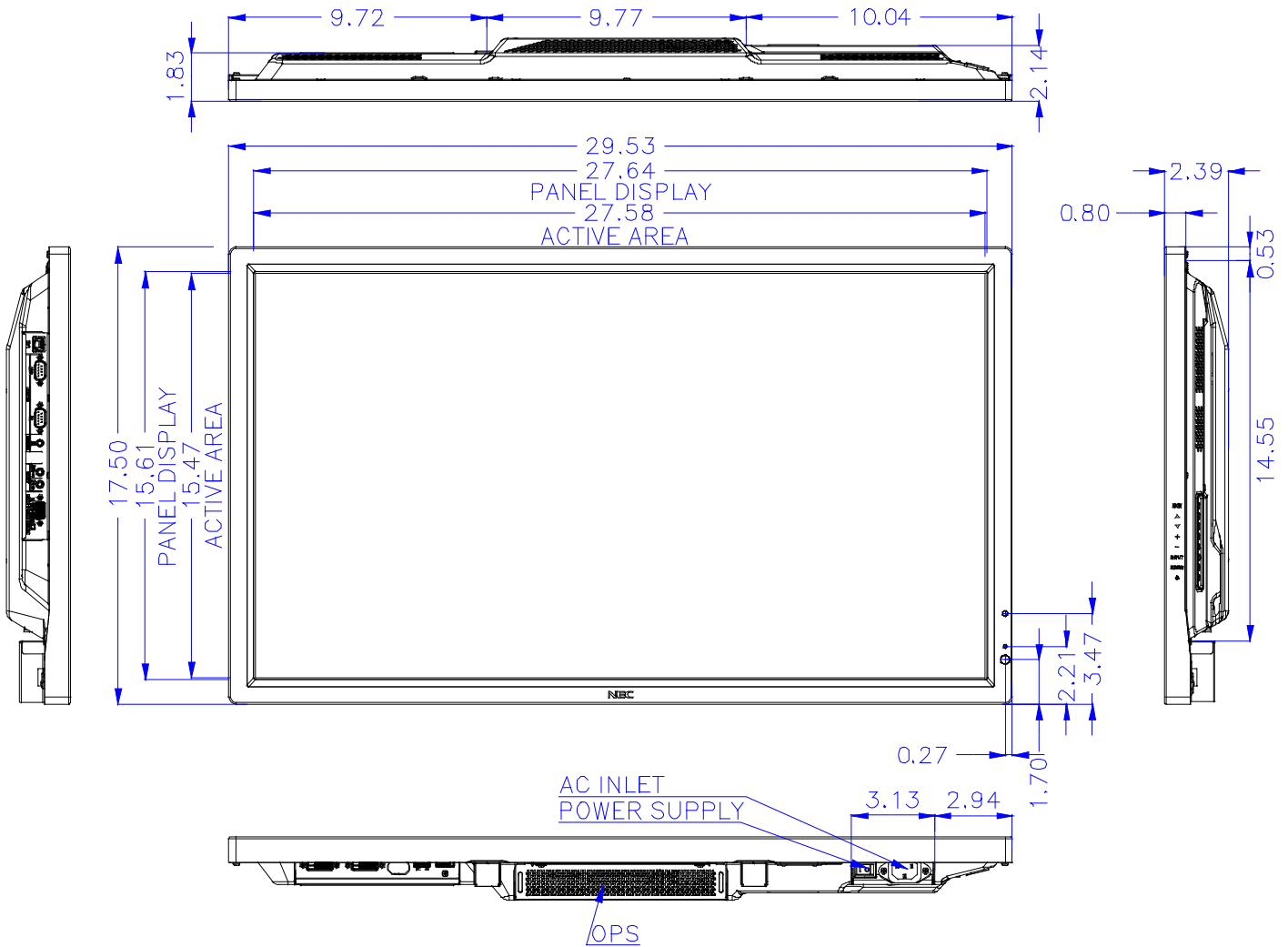
- The ventilation space should not be covered or closed off at the front of the opening. If for some reason the opening needs to be covered, other means of ventilation will need to be incorporated into the design. Contact NEC for design review and recommendations.

V323-2 Installation Guide

32" LCD Display

Rev 1.0

Display Dimensions



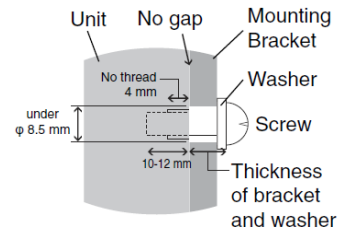
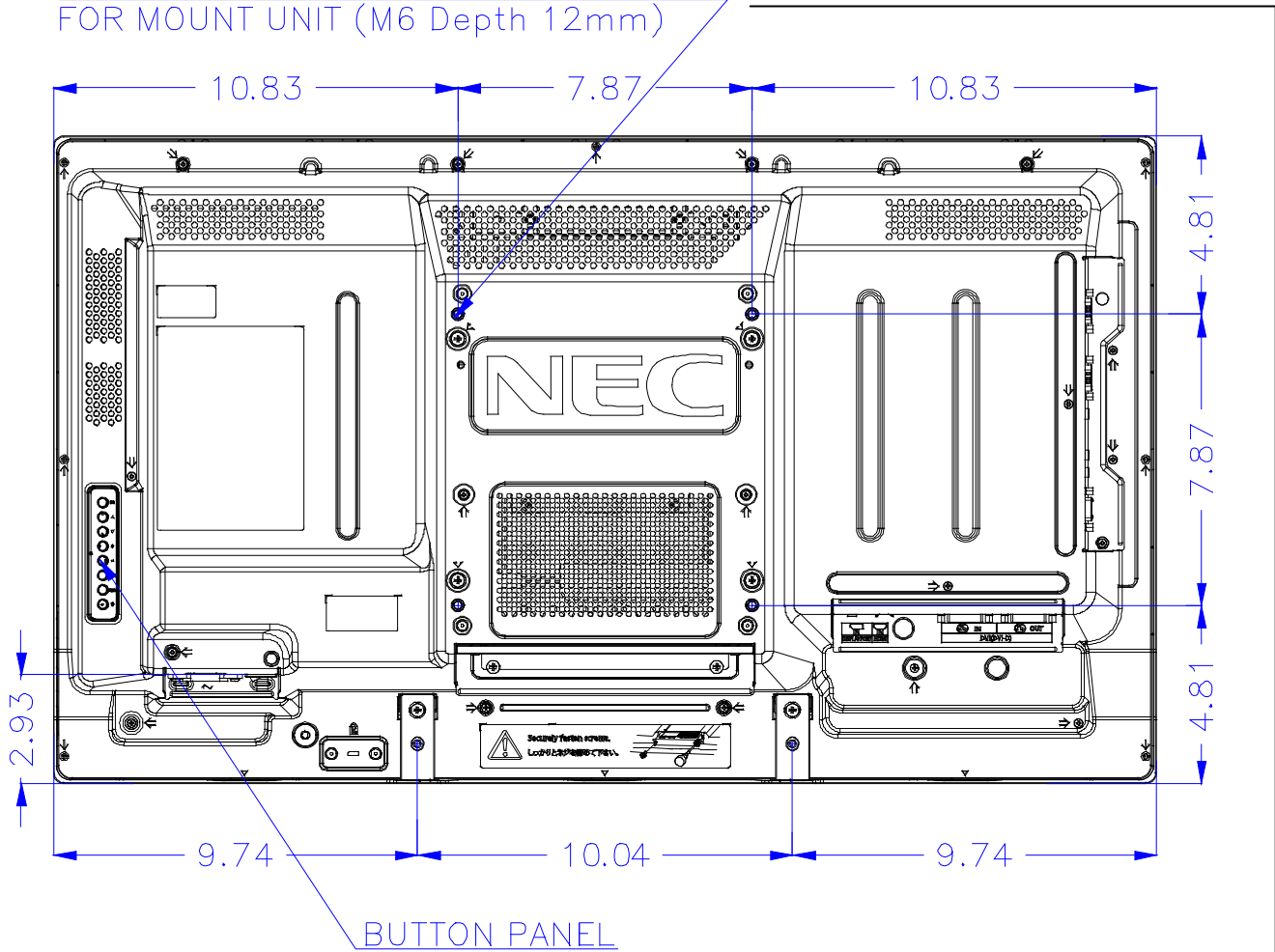
V323-2 Installation Guide

32" LCD Display

Rev 1.0

Display Dimensions (cont.)

200mm VESA MOUNTING HOLE PATTERN
FOR MOUNT UNIT (M6 Depth 12mm)

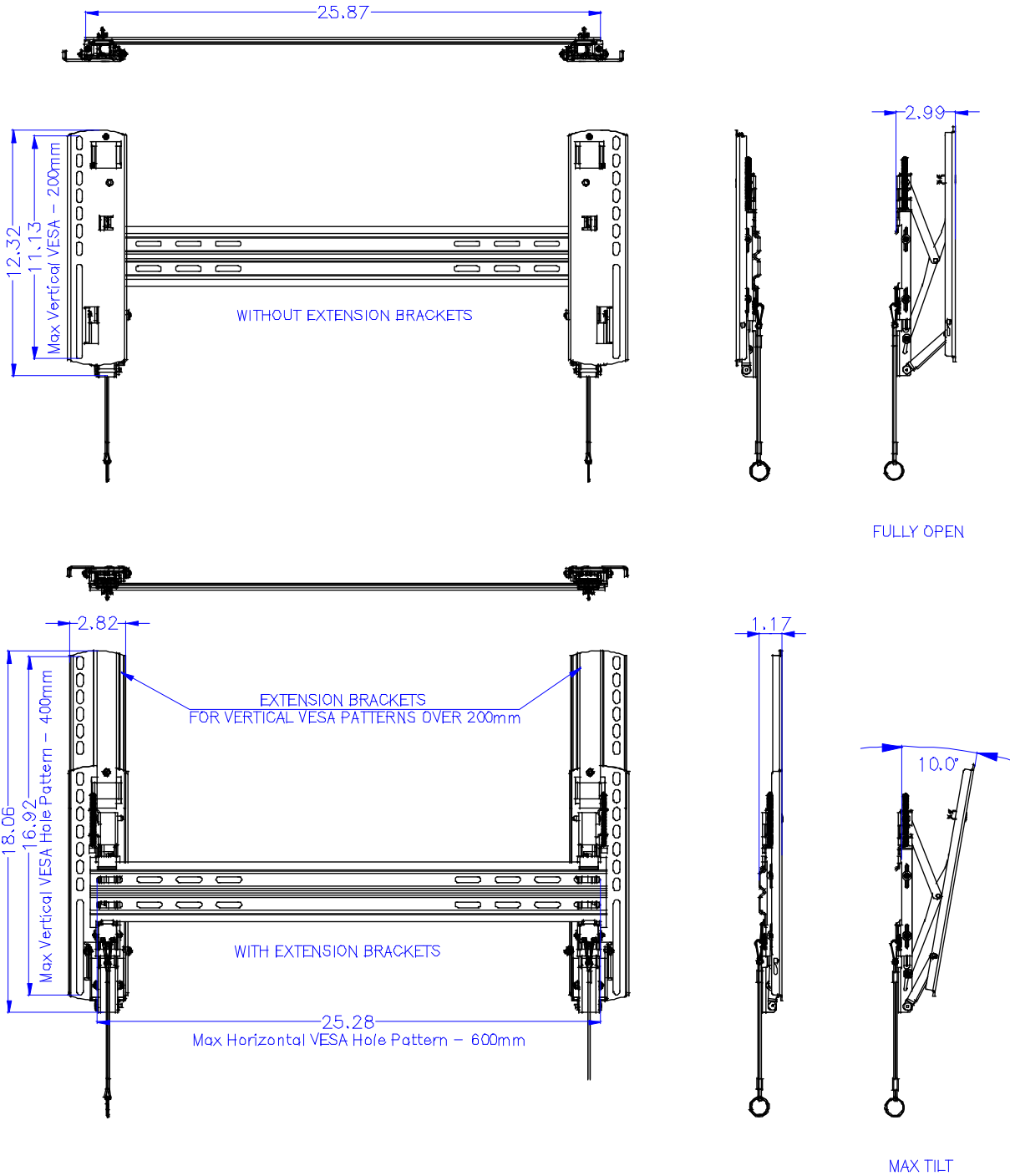


Screw length should equal depth of hole (10-12 mm) + the thickness of mounting bracket and washer. Bracket hole should be under ϕ 8.5 mm.

V323-2 Installation Guide

32" LCD Display

Optional Wall Mount Dimensions (WMK-3255S)

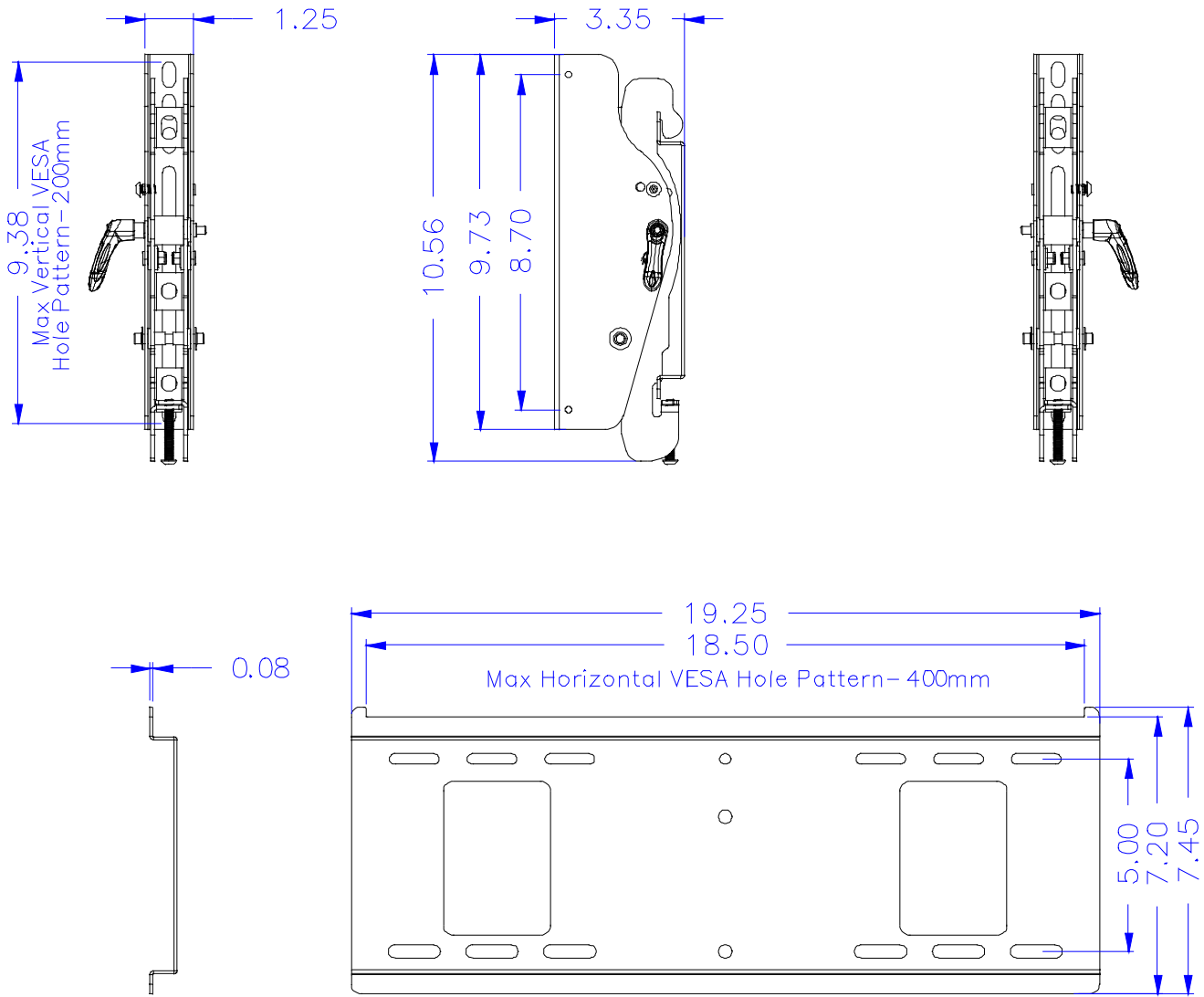


V323-2 Installation Guide

32" LCD Display

Rev 1.0

Optional Wall Mount Dimensions (WMK-3257)

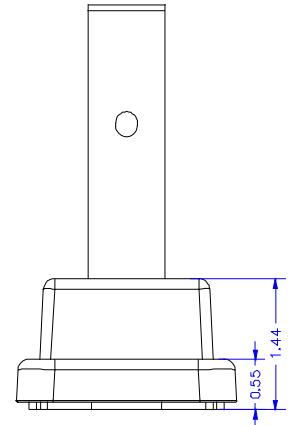
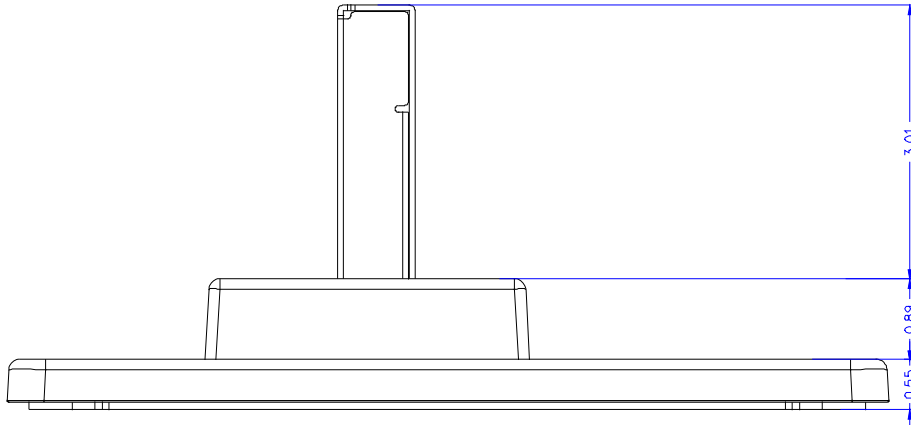
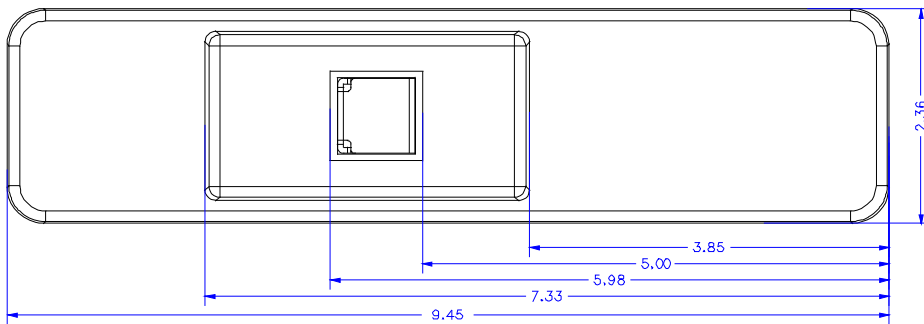


V323-2 Installation Guide

32" LCD Display

Rev 1.0

Optional Table Top Stand Dimensions (ST-322)



V323-2 Installation Guide

32" LCD Display

Rev 1.0

Input Panel

Bottom:



Side:



Control Codes

Function (Monitor ID = 1)	Code Data
Power ON	01 30 41 30 41 30 43 02 43 32 30 33 44 36 30 30 30 31 03 73 0d
Power OFF	01 30 41 30 41 30 43 02 43 32 30 33 44 36 30 30 30 34 03 76 0d
Input Source Select DisplayPort	01 30 41 30 45 30 41 02 30 30 36 30 30 30 30 46 03 04 0d
Input Source Select DVI	01 30 41 30 45 30 41 02 30 30 36 30 30 30 30 33 03 71 0d
Input Source Select VGA	01 30 41 30 45 30 41 02 30 30 36 30 30 30 30 31 03 73 0d
Input Source Select HDMI	01 30 41 30 45 30 41 02 30 30 36 30 30 30 31 31 03 72 0d
Input Source Select OPTION	01 30 41 30 45 30 41 02 30 30 36 30 30 30 30 44 03 06 0d
Sound Mute ON	01 30 41 30 45 30 41 02 30 30 38 44 30 30 30 31 03 09 0d
Sound Mute OFF	01 30 41 30 45 30 41 02 30 30 38 44 30 30 30 32 03 0a 0d

NOTE: Contact your NEC rep for codes not listed.

NOTE: Use a cross/reverse/null modem cable.

V323-2 Installation Guide

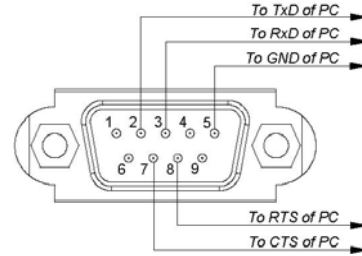
32" LCD Display

Rev 1.0

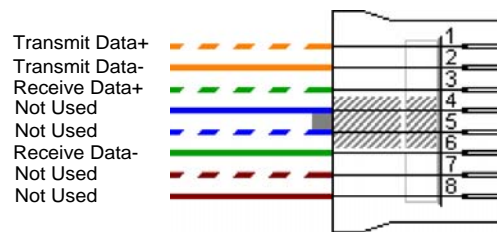
Cable Connection:

Communication Protocol:

Interface: RS-232C
Communication System: Asynchronous
Baud Rate: 9600 bps
Data Length: 8 bits
Parity: None
Stop Bit: 1 bit
Communication Code: ASCII



Interface: Ethernet (CSMA/CD)
Communication System: TCP/IP (Internet Protocol Suite)
Communication Layer: Transport layer (TCP)
IP Address: 192.168.0.10 (default out of box)
Port Number: 7142 (Fixed)



NOTE: If so desired, jumper "Request to send" and "Clear to Send" together on both ends of the cable to simplify cable connection. These connections are not required. The only connections required are pins 2 (TxD), 3 (RxD) and 5 (GND).