

# TECHNICAL DATA SHEET - Lightweight Adjustable Suspended Ceiling Plate

**NEC**

NEC Solutions (America), Inc.

**MODEL: SCP 100**

The **Lightweight Adjustable Suspended Ceiling Plate** allows a projector to be mounted above a 2' x 2' or 2' x 4' false ceiling tile. It offers unlimited adjustability and projector mount placement anywhere within a standard ceiling grid. It can be used with or without an extension column and offers two electrical knockouts. It is specifically designed for projectors and offers a low-profile, secure solution to complement sleek, lightweight projectors.

### Features:

- Includes tie wire for a 3' drop, turn buckles, and fasteners for mounting
- Unlimited projector placement above a 2' x 2' or 2' x 4' standard ceiling tile
- Escutcheon ring included for a clean finish
- Pre-assembled, easy to install design reduces installation time
- Compact, lightweight, theft resistant design

### Accessories:

- Fixed and Adjustable length Extension Columns, 1 1/2" NPT ("EXT" or "ADJ" models)
  - Fixed length Extension Columns, 3/4" NPT (FLP Series)\*
- \*Must be used in conjunction with an ACC 913, Pipe Reducer (2 may be required)

### Dimensions:

#### **Weight:**

6.5 lb (3 kg)

#### **Shipping weight:**

7.7 lb (3.5 kg)

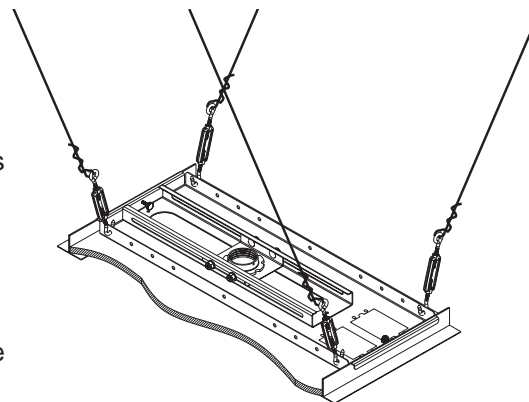
#### **Maximum Load Capacity:**

60 lb (27.2 kg)

#### **Shipping Carton dimensions:**

**L** = 26.25 in (667 mm)

**W** = 13.5 in (343 mm)

**H** = 1.88 in (48 mm)


## ARCHITECTS SPECIFICATIONS

The Lightweight Adjustable Suspended Ceiling Plate shall be a NEC model **SCP 100** and shall be located where indicated on the plans. It shall contain an adjustable collar mount plate with a 1 1/2-11.5 NPS center threaded fitting and holes for outlet boxes (Raco 445 or Appleton 383 recommended) and antenna leads. It shall feature a tie wire support system to transfer the load to four attachment points (in the true ceiling above) with turnbuckles to fine tune the level of the ceiling tray. The finish shall be white fused epoxy. Assembly and installation shall be done according to instructions provided by the manufacturer.

### **Peerless Industries, Inc.**

 3215 W. North Ave. Melrose Park, IL 60160  
 708-865-8870 800-865-2112 Fax 708-865-2941

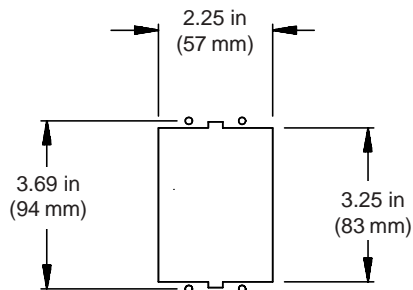
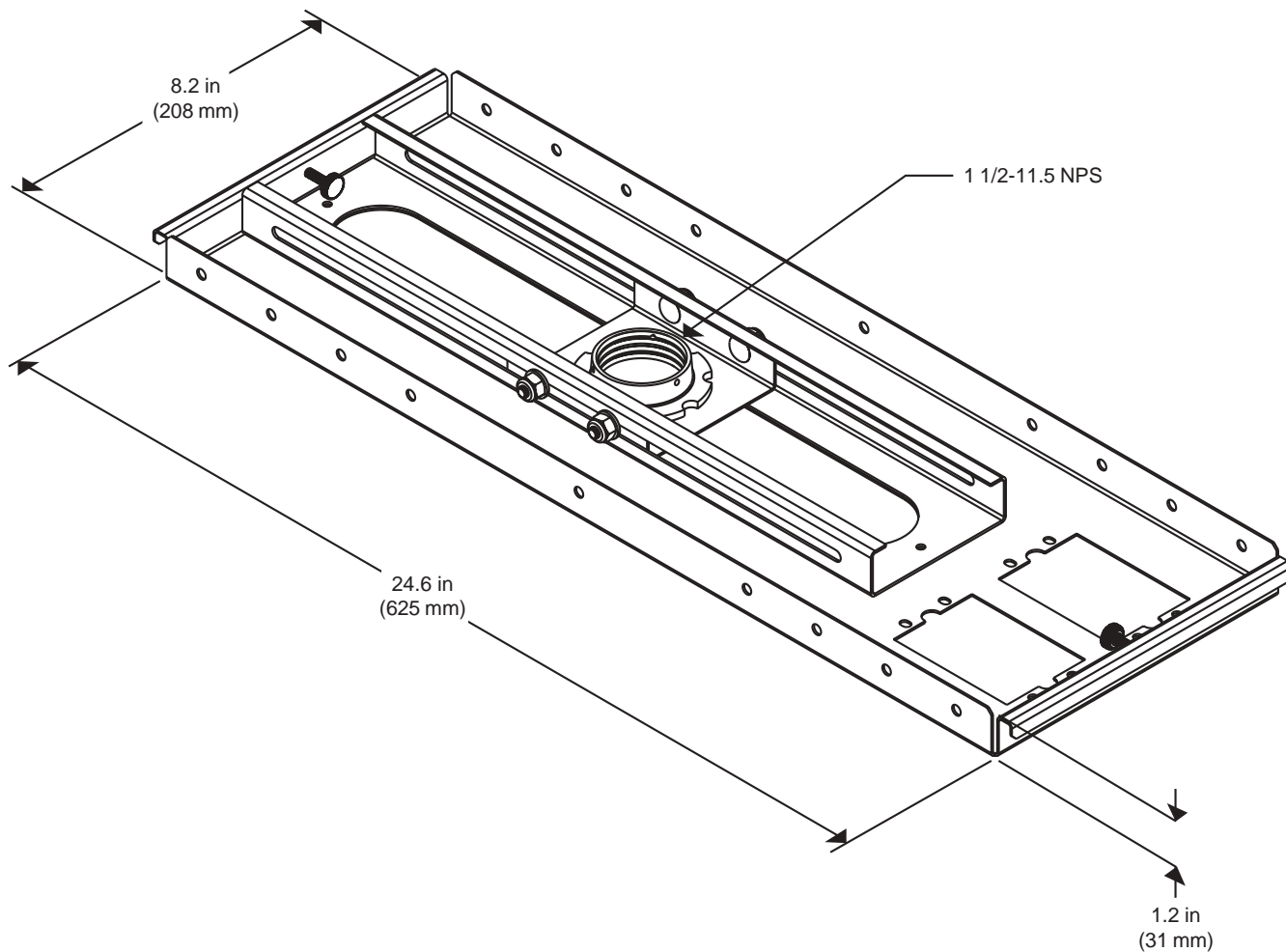
[www.peerlessindustries.com](http://www.peerlessindustries.com)
**ISSUED: 12-17-04 SHEET NO: 120-9511-1**

 ©2004 Peerless Industries, Inc. All rights reserved.  
 Peerless is a registered trademark of Peerless Industries, Inc.

All other brand and product names are trademarks or registered trademarks of their respective owners.

TECHNICAL DATA SHEET

**MODEL: SCP 100**



**Electrical Hole**