

V404/P404 Installation Guide

40" LCD Display

Contents:

Product Description and Notes	Page 1
Tilt Angle and Rotation	Page 1
Ventilation Recommendations	Page 2
Display Dimensions	Page 3-4
Display Dimensions with stand	Page 5
Optional Table Top Stand Dimensions	Page 6
Dimensions of Optional Wall Mount (WMK-3255S)	Page 7
Compute Module Integration	Page 8
Control Codes	Page 9
Input Terminals	Page 10
Browser Control	Page 10



Product Description

	V404	P404
Display Resolution	1920 x 1080 at 60Hz	
Maximum Supported Resolution	3840 x 2160 at 30Hz	
Power Consumption (Typical)	75W	92W
Power Consumption (Max Brightness)	95W	115W
Power Consumption (Overall Max)*	235W	260W
BTU's (Typical)	255.91 BTU/hr	313.92 BTU/hr
BTU's (Max Brightness)	324.15 BTU/hr	392.40 BTU/hr
BTU's (Overall Max)*	801.85 BTU/hr	887.15 BTU/hr
Net Dimensions	36.1 x 20.9 x 2.2 in. / 918.0 x 530.6 x 54.7mm	
Net Weight	40.3lbs. / 18.3kg	

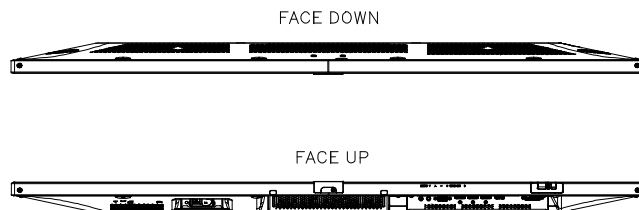
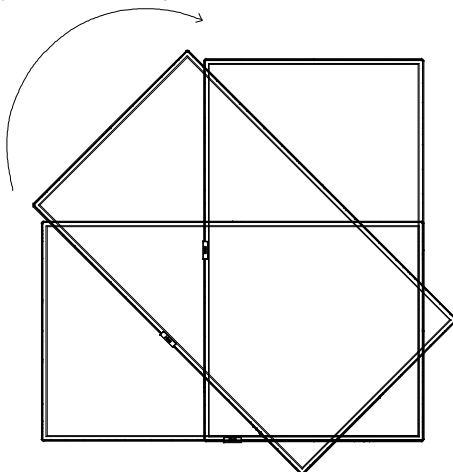
*Overall Max refers to when the unit is at max brightness and the following features are also active: OPS Slot, External Speaker, Raspberry Pi Compute Module Slot

NOTES:

- This document is intended to be used as a reference guide to supply useful information for a design or installation. It is not intended to be a step-by step procedure for installation.
- Any ceilings or walls must be strong enough to support the monitor and the installation must be in accordance with any local building codes. All mounts should make secure contact to wood studs.
- 4:3 sources can be displayed on the 16:9 screen in either normal aspect ratio with bars on the left or right, or stretched horizontally to fill the screen using the menus (see "Aspect Modes" in menus and user manual).
- Distances are in inches, for millimeters multiply by 25.4.

Tilt Angle and Rotation

Monitor may be angled and rotated from normal landscape and portrait orientation to both face up and face down positioning. Rotate only clockwise for portrait orientation.



V404/P404 Installation Guide

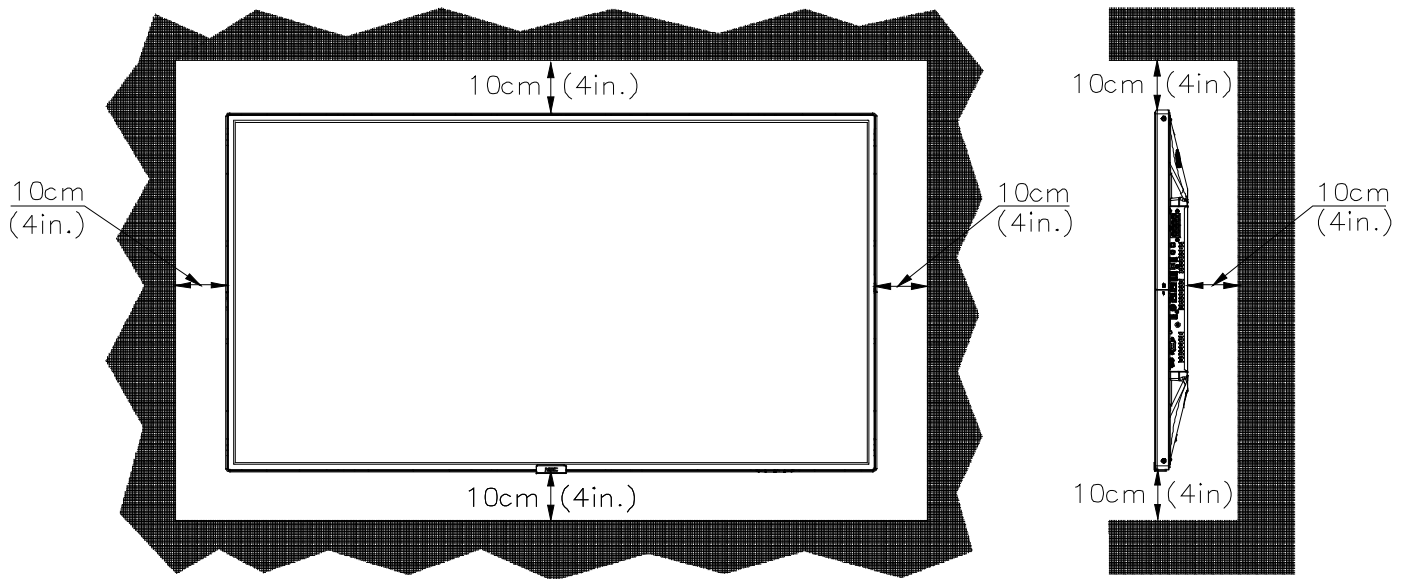
40" LCD Display

Rev 1.0

Ventilation Recommendations:

Dimensions below are recommended for proper ventilation when the unit is in a recessed area.

Operating Temperature:
Landscape: 0– 50 C, 32– 122 F
Portrait: 0– 50 C, 32– 122 F



NOTE:

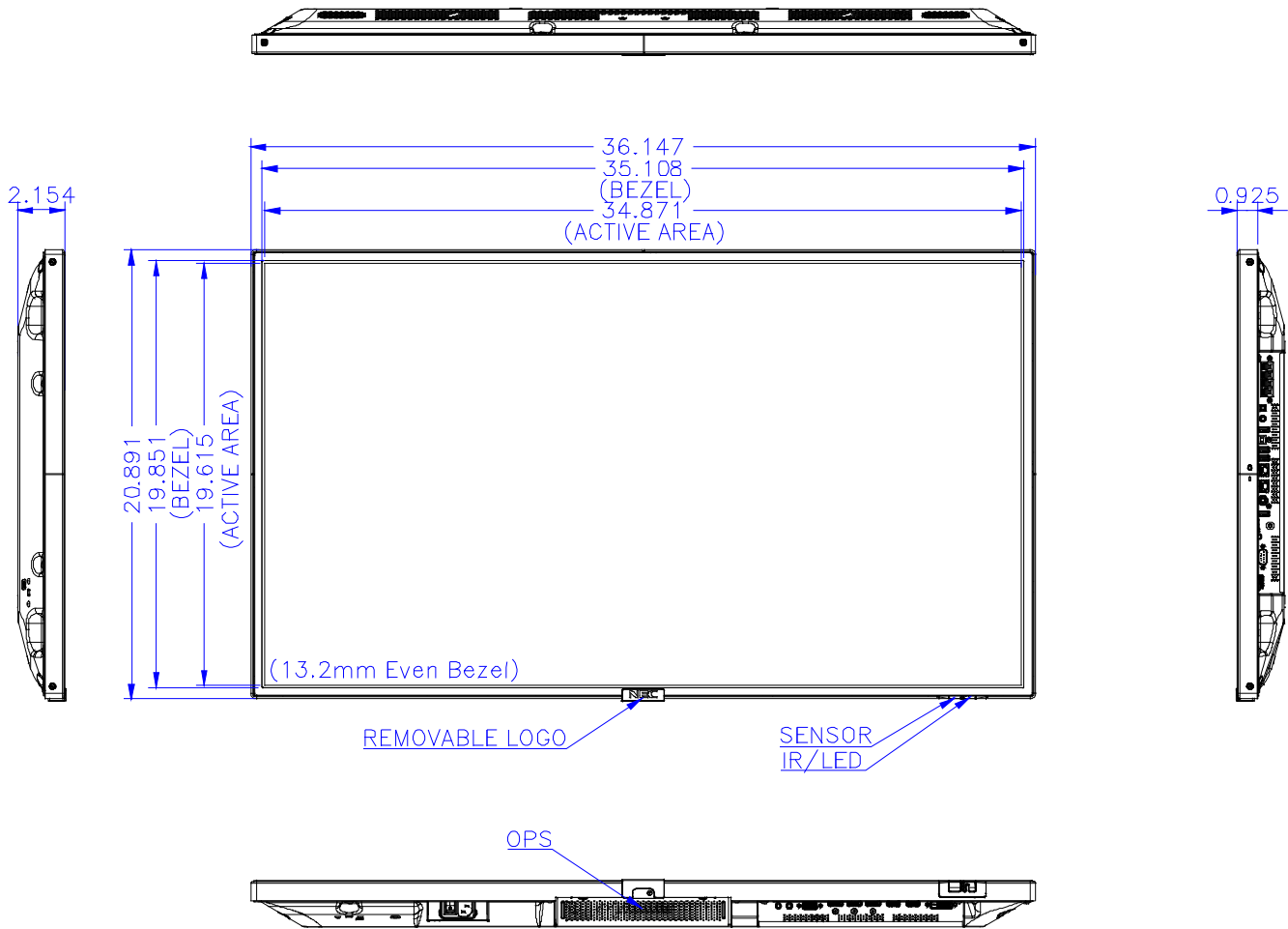
The ventilation space should not be covered or closed off at the front of the opening. If for some reason the opening needs to be covered, other means of ventilation will need to be incorporated into the design. Contact NEC for design review and recommendations.

V404/P404 Installation Guide

40" LCD Display

Rev 1.0

Display dimensions:

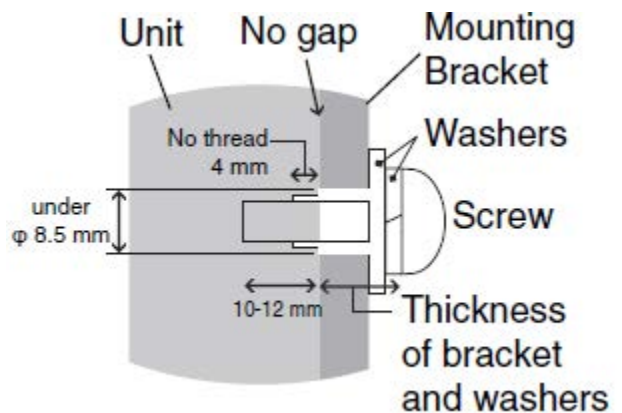
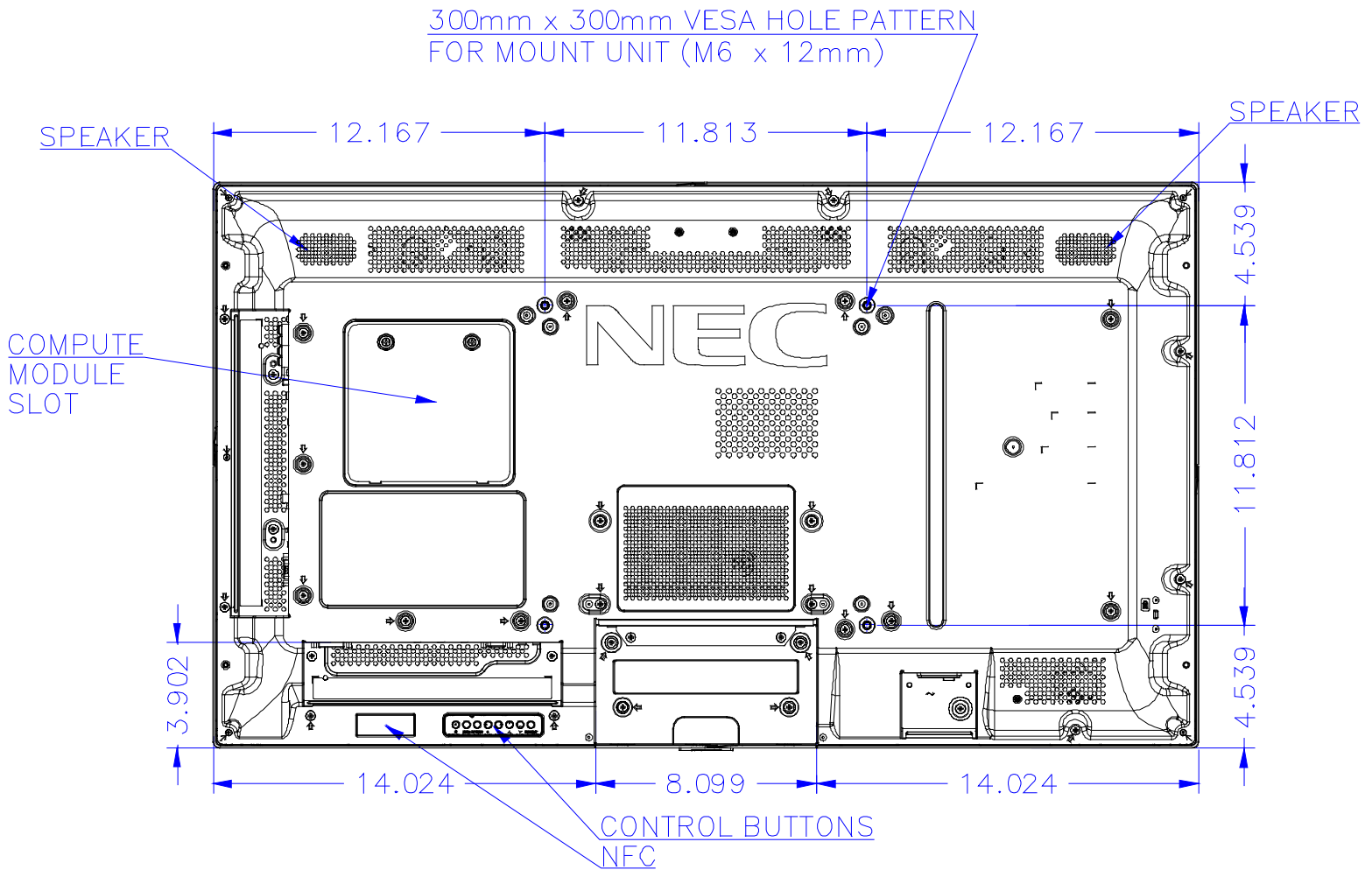


V404/P404 Installation Guide

40" LCD Display

Rev 1.0

Display dimensions (cont.):

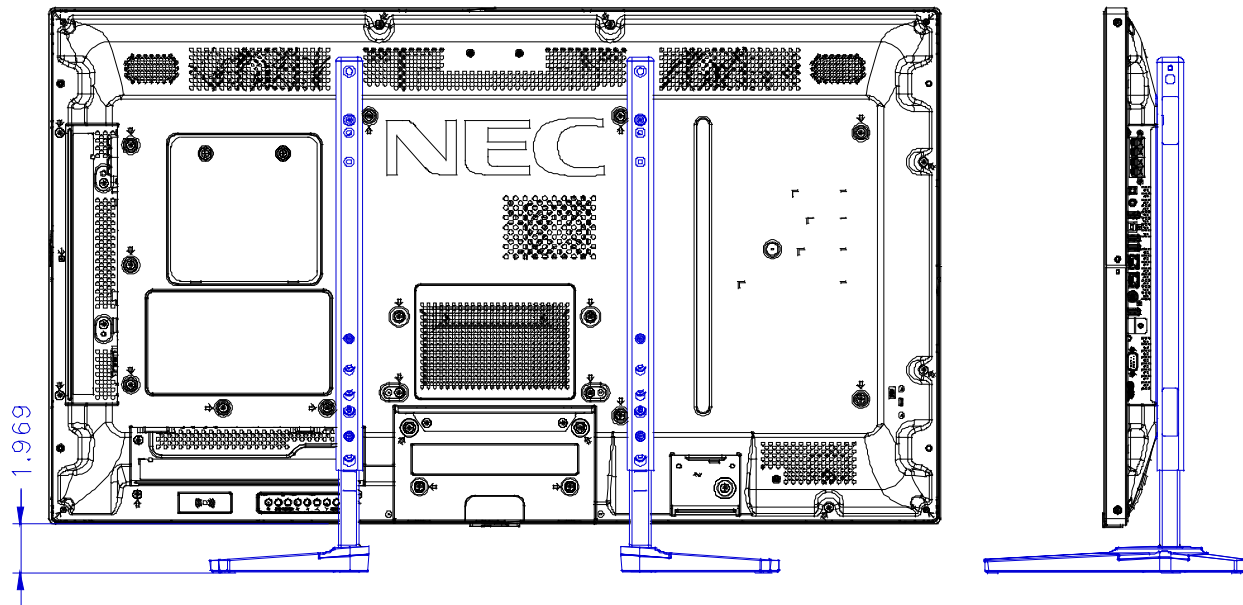
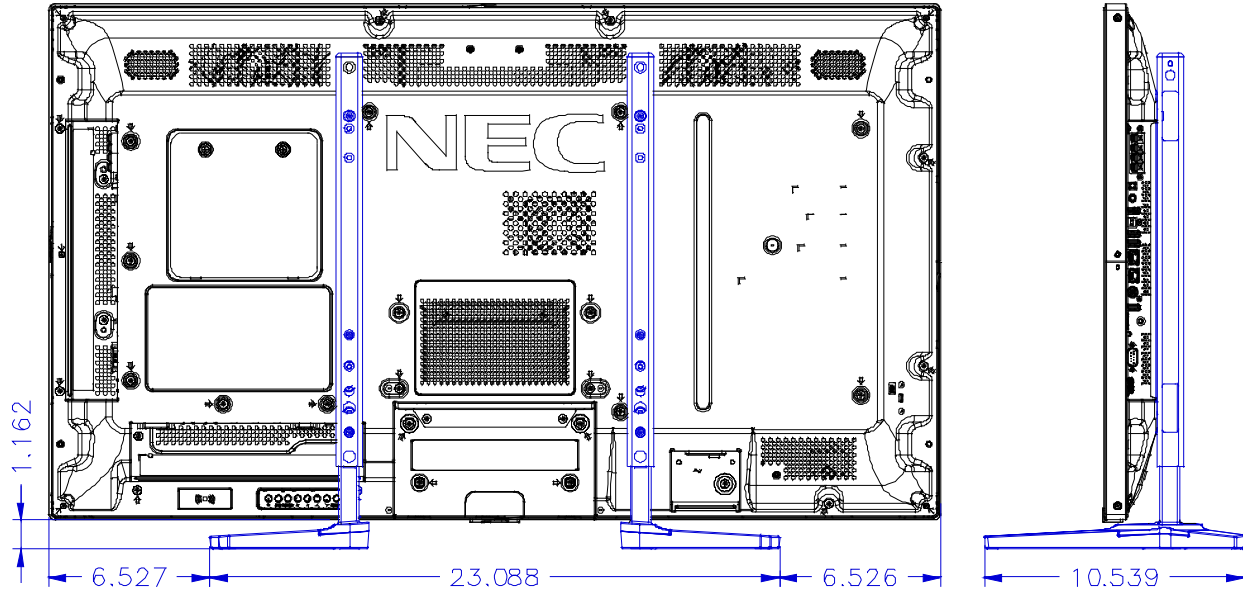


V404/P404 Installation Guide

40" LCD Display

Rev 1.0

Display Dimensions (with ST-401 stand):



NOTE:

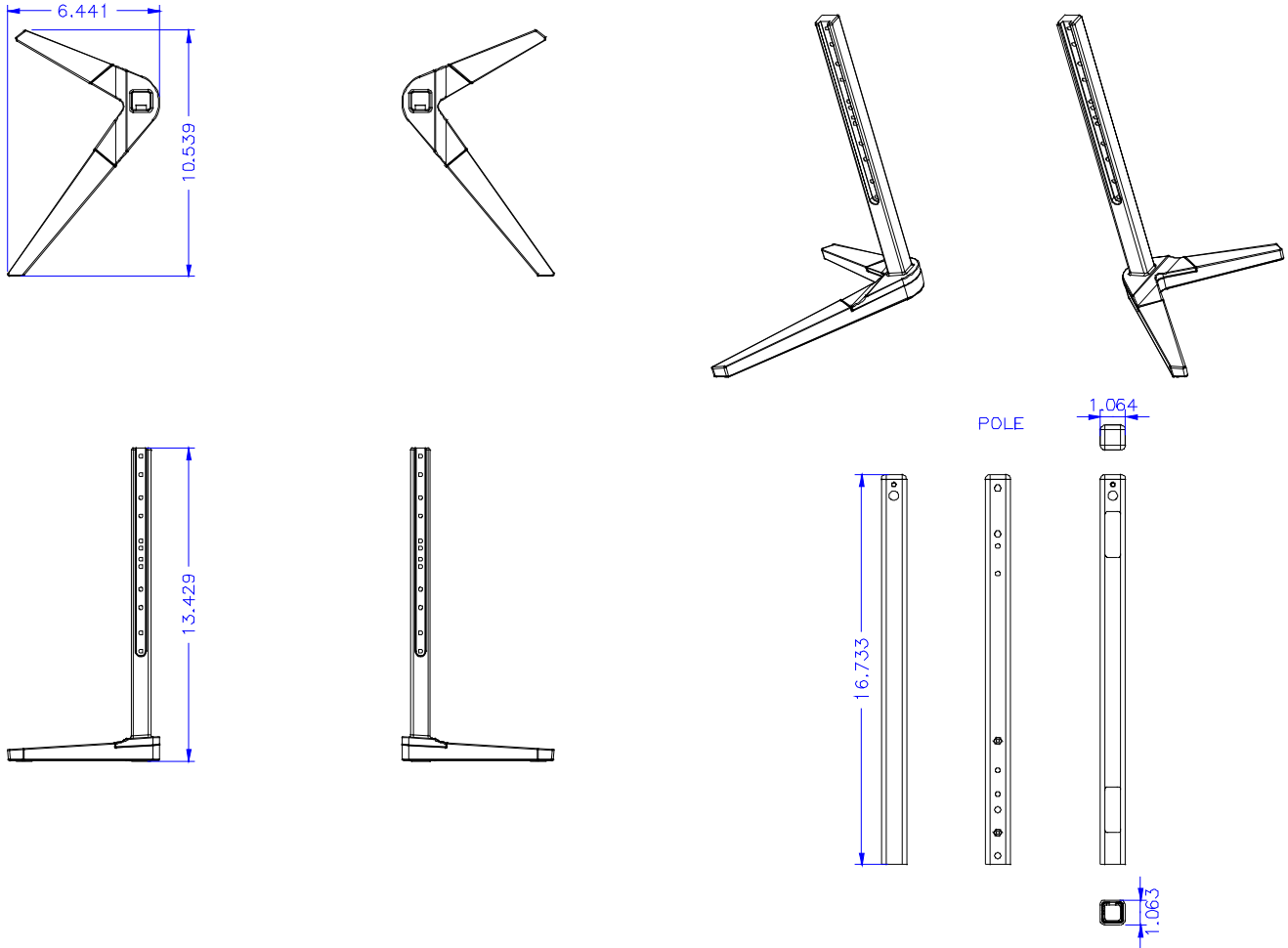
The ST-401 optional stand attaches to the VESA hole pattern on the back of the display and can be set so the display is either 30mm or 50mm from the tabletop

V404/P404 Installation Guide

40" LCD Display

Rev 1.0

Optional Table Top Stand Dimensions (ST-322):



NOTE:

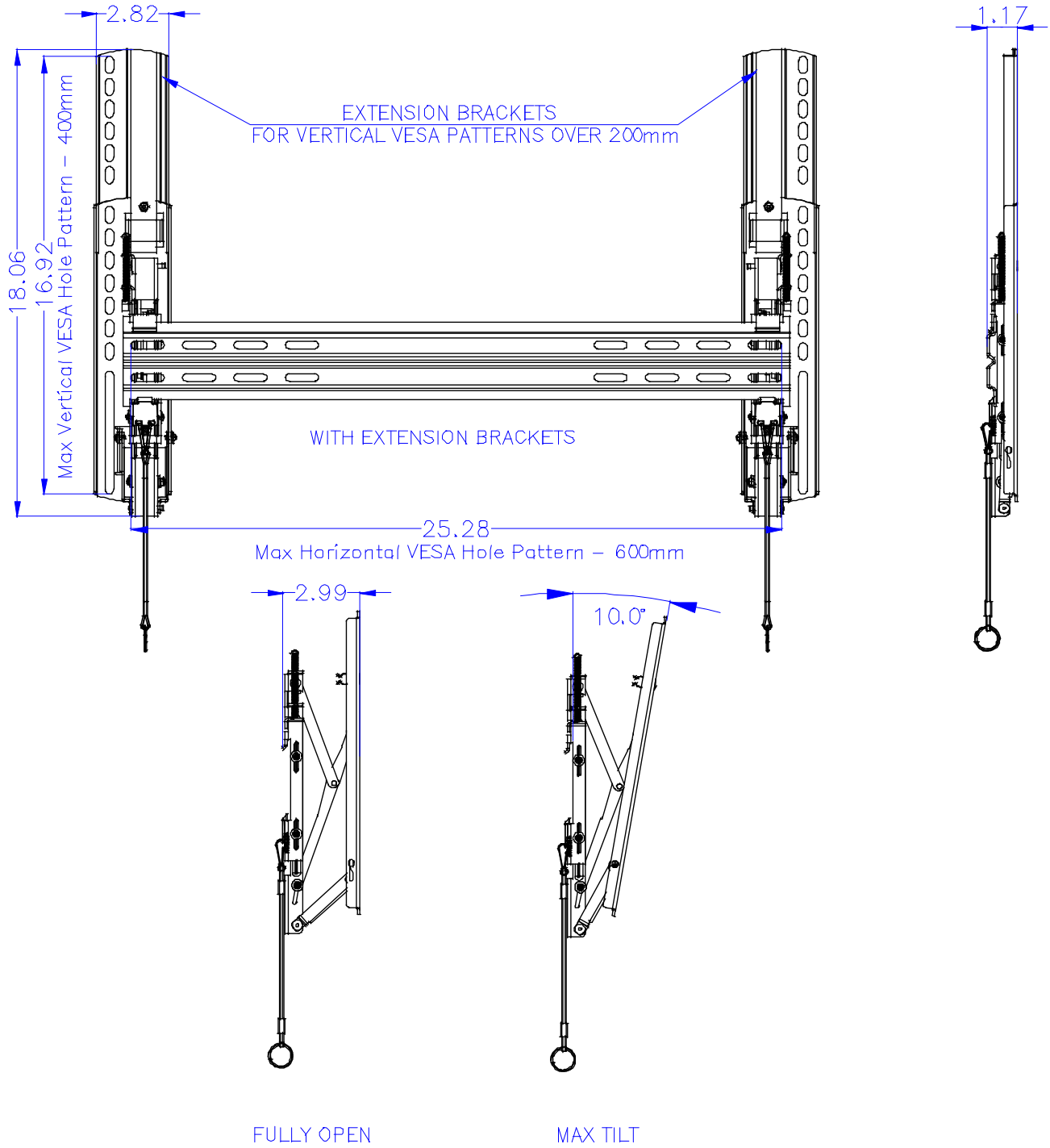
The Pole of the ST-401 stand connects directly to the VESA hole pattern on the back of the display.

V404/P404 Installation Guide

40" LCD Display

Rev 1.0

Dimensions of Optional Wall Mount Kit (WMK-4655S):

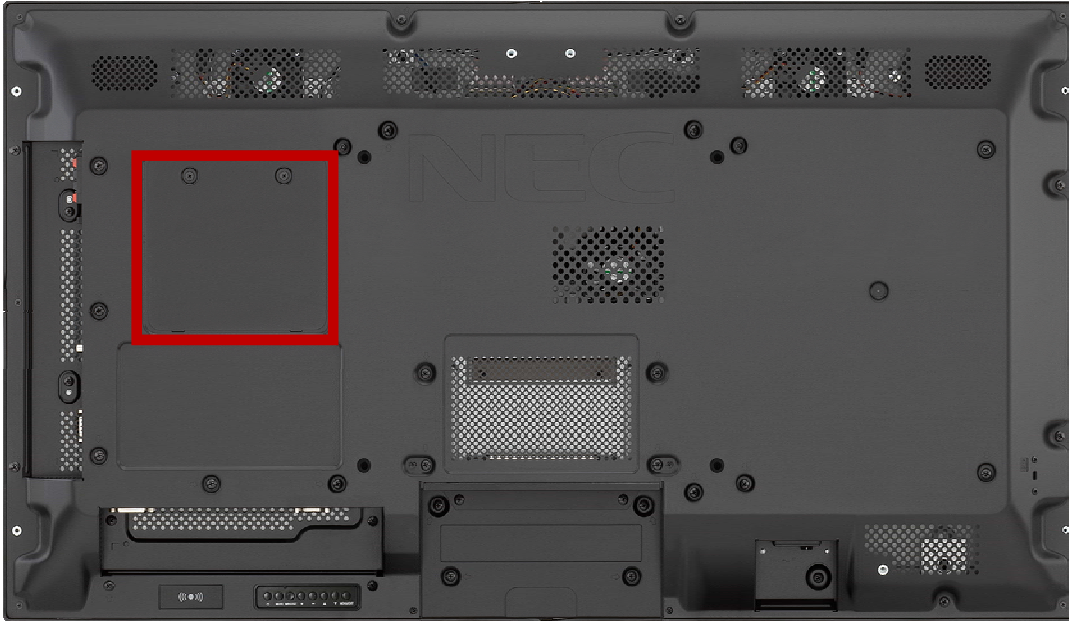


V404/P404 Installation Guide

40" LCD Display

Compute Module Integration:

- Door on the back of the display can be opened by loosening captive screws.
- Separate IO Board is necessary to accompany RPi Compute Module in unit



V404/P404 Installation Guide

40" LCD Display

Control Codes:

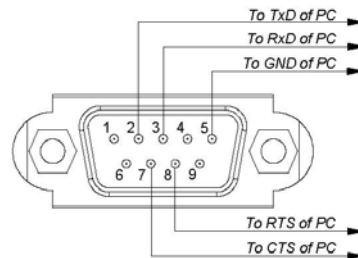
Function (Monitor ID = 1)	Code Data
Power ON	01 30 41 30 41 30 43 02 43 32 30 33 44 36 30 30 30 31 03 73 0d
Power OFF	01 30 41 30 41 30 43 02 43 32 30 33 44 36 30 30 30 34 03 76 0d
Input Source Select DisplayPort1	01 30 41 30 45 30 41 02 30 30 36 30 30 30 30 46 03 04 0d or 01 30 41 30 45 30 41 02 31 31 30 36 30 30 30 46 03 04 0d
Input Source Select DisplayPort2	01 30 41 30 45 30 41 02 30 30 36 30 30 30 31 30 03 73 0d or 01 30 41 30 45 30 41 02 31 31 30 36 30 30 31 30 03 73 0d
Input Source Select DVI	01 30 41 30 45 30 41 02 30 30 36 30 30 30 30 33 03 71 0d or 01 30 41 30 45 30 41 02 31 31 30 36 30 30 30 33 03 71 0d
Input Source Select HDMI1	01 30 41 30 45 30 41 02 30 30 36 30 30 30 31 31 03 72 0d or 01 30 41 30 45 30 41 02 31 31 30 36 30 30 31 31 03 72 0d
Input Source Select HDMI2	01 30 41 30 45 30 41 02 30 30 36 30 30 30 31 32 03 71 0d or 01 30 41 30 45 30 41 02 31 31 30 36 30 30 31 32 03 71 0d
Input Source Select VGA (RGB)	01 30 41 30 45 30 41 02 30 30 36 30 30 30 30 31 03 73 0d
Input Source Select VGA (YPbPr)	01 30 41 30 45 30 41 02 30 30 36 30 30 30 30 43 03 01 0d
Input Source Select VIDEO	01 30 41 30 45 30 41 02 30 30 36 30 30 30 30 35 03 77 0d
Input Source Select MP	01 30 41 30 45 30 41 02 30 30 36 30 30 30 38 37 03 7D 0d or 01 30 41 30 45 30 41 02 31 31 30 36 30 30 38 37 03 7D 0d
Input Source Select OPTION	01 30 41 30 45 30 41 02 30 30 36 30 30 30 30 44 03 06 0d or 01 30 41 30 45 30 41 02 31 31 30 36 30 30 30 44 03 06 0d
Sound Mute ON	01 30 41 30 45 30 41 02 30 30 38 44 30 30 30 31 03 09 0d
Sound Mute OFF	01 30 41 30 45 30 41 02 30 30 38 44 30 30 30 32 03 0a 0d

NOTE: Contact your NEC rep for codes not listed.

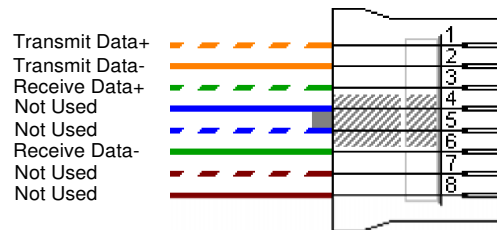
Cable Connection:

Communication Protocol:

Interface: RS-232C
 Communication System: Asynchronous
 Baud Rate: 9600 bps
 Data Length: 8 bits
 Parity: None
 Stop Bit: 1 bit
 Communication Code: ASCII



Interface: Ethernet (CSMA/CD)
 Communication System: TCP/IP (Internet Protocol Suite)
 Communication Layer: Transport layer (TCP)
 IP Address: 192.168.0.10 (default out of box)
 Port Number: 7142 (Fixed)



NOTE: If so desired, jumper "Request to send" and "Clear to Send" together on both ends of the cable to simplify cable connection. These connections are not required. The only connections required are pins 2 (TxD), 3 (RxD) and 5 (GND).

V404/P404 Installation Guide

40" LCD Display

Input Panel (Bottom)



Input Panel (Side - Rotated)



Browser Control

Information and control can also be available through the HTTP browser control menu.

In order to accomplish this, type: **http://<the Monitor's IP address>/pd_index.html**

Note that the LAN Power needs to be turned on in order for the display to be controlled while the units are off.

All displays are set to the IP address **192.168.0.10** as default. Note that Media Player has separate IP Address menu that can be accessed from the Monitor's menu or directly using separate IP Address. IP Address for Media Player is set to **192.168.0.110** for default configuration

Communicating network PC needs to be on the same subnet as display that is being communicated with

NEC P554 COMPUTE MODULE

<ul style="list-style-type: none"> HOME REMOTE CONTROL INPUT PICTURE AUDIO SCHEDULE MULTI INPUT OSD MULTI DISPLAY DISPLAY PROTECTION CONTROL SLOT2 SYSTEM COMPUTE MODULE NETWORK (CONTROL) NETWORK (MEDIA PLAYER) MAIL SNMP AMX CESTRON NAME NETWORK SERVICE PD LIST MEMO UPDATE FIRMWARE SD-CARD VIEWER 	HOME	
<p>Welcome to the management and configuration web interface. You can use the navigation menus on the left to access additional pages.</p>		
MONITOR INFORMATION		
MODEL NAME	P554	
SERIAL	6YP0007NA	
FIRMWARE VERSION		
REVISION	R0.042C	
ETHERNET (CONTROL)		
MAC ADDRESS	8c:d9:7f:4d:5f	
IPV4 ADDRESS	192.168.0.10	
SUBNET MASK	255.255.255.0	
DEFAULT GATEWAY	0.0.0.0	
DNS PRIMARY	0.0.0.0	
DNS SECONDARY	0.0.0.0	
ETHERNET (MEDIA PLAYER)		
MAC ADDRESS	8c:d9:7f:4d:60	
IPV4 ADDRESS	192.168.0.110	
SUBNET MASK	255.255.255.0	
DEFAULT GATEWAY	0.0.0.0	
DNS PRIMARY	0.0.0.0	
DNS SECONDARY	0.0.0.0	
ID		
MONITOR ID	1	
GROUP ID		
ECO CONTRIBUTION		
CARBON SAVINGS	0.527kg CO2	
CARBON USAGE	0.264kg CO2	
AUTO DIMMING	AUTO BRIGHTNESS	OFF
	ROOM LIGHT SENSING	OFF
	HUMAN SENSING	

Copyright © NEC Display Solutions, Ltd. 2006. All rights reserved.