

P403 Installation Guide

40" LCD Display

Rev 1.0

Contents:

Product Description and Notes	Page 1
Tilt Angle and Rotation	Page 1
Ventilation Recommendations	Page 2
Display Dimensions	Page 3
Display Dimensions with stand	Page 4
Optional Table Top Stand Dimensions	Page 6
Dimensions of Optional Wall Mount (WMK-3255S)	Page 7
Input Terminals	Page 8
Control Codes	Page 8



Product Description

Type: LCD Display
Resolution: 1920 x 1080
Aspect Ratio: 16:9
FCC: Class B
Power Consumption: 105W (typ)
BTU's: 358.28 BTU/hour

Screen Surface: Anti-Reflective
Dimensions without stand: 36.2"(W) x 21.0"(H) x 2.6"(D)
Dimensions with stand: 36.2"(W) x 22.5"(H) x 9.4" (D)
Weight without stand: 37.5 lbs / 17.0 kg
Weight with stand: 40.3 lbs / 18.3 kg
Current Rating: 2.9A-100-120V, 1.2A-220-240V

NOTES:

- This document is intended to be used as a reference guide to supply useful information for a design or installation. It is not intended to be a step-by-step procedure for installation.
- Any ceilings or walls must be strong enough to support the monitor and the installation must be in accordance with any local building codes. All mounts should make secure contact to wood studs.
- 4:3 sources can be displayed on the 16:9 screen in either normal aspect ratio with bars on the left or right, or stretched horizontally to fill the screen using the menus (see "Aspect Modes" in menus and user manual).
- Distances are in inches, for millimeters multiply by 25.4.

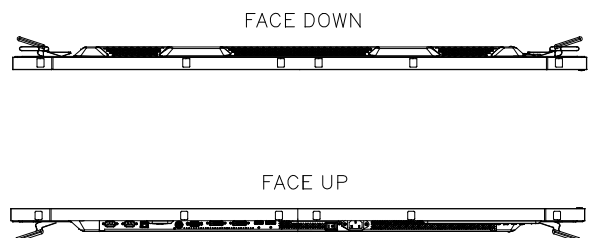
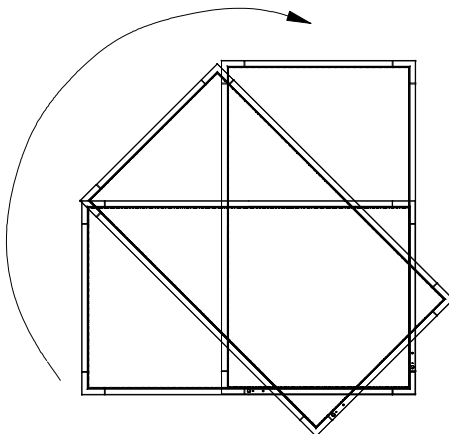
Tilt Angle and Rotation

Monitor may be angled and rotated from normal landscape and portrait orientation to both face up and face down positioning. When orientated in face up or face down position, operating temperature for the unit changes. Rotate only clockwise for portrait orientation.

Operating Temperatures:

- Landscape: 5-40° Celsius; 41-104° Fahrenheit
- Portrait: 5-40° Celsius; 41-104° Fahrenheit

Face Up: 5-35° Celsius; 41-95° Fahrenheit
Face Down: 5-35° Celsius; 41-95° Fahrenheit



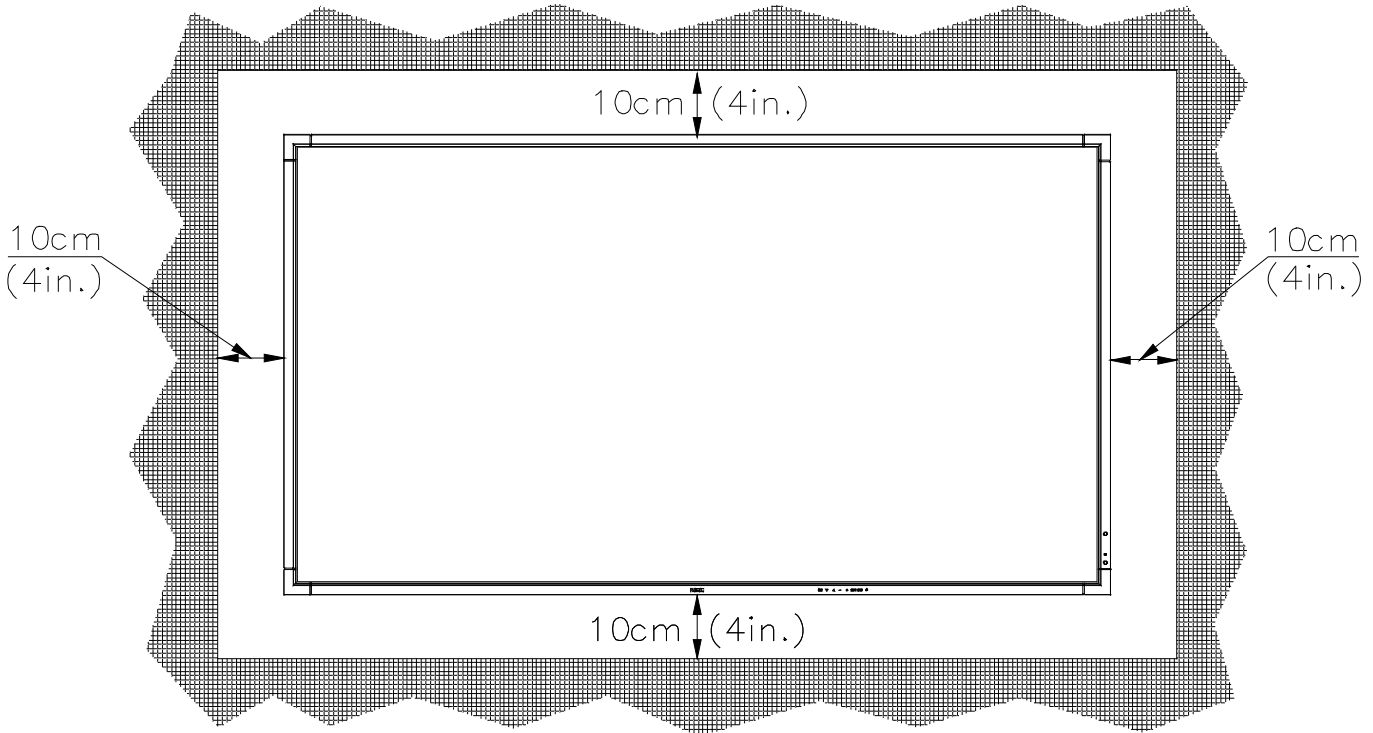
P403 Installation Guide

40" LCD Display

Rev 1.0

Ventilation Recommendations:

Dimensions below are minimum recommended for proper ventilation when the unit is in a recessed area.



NOTE:

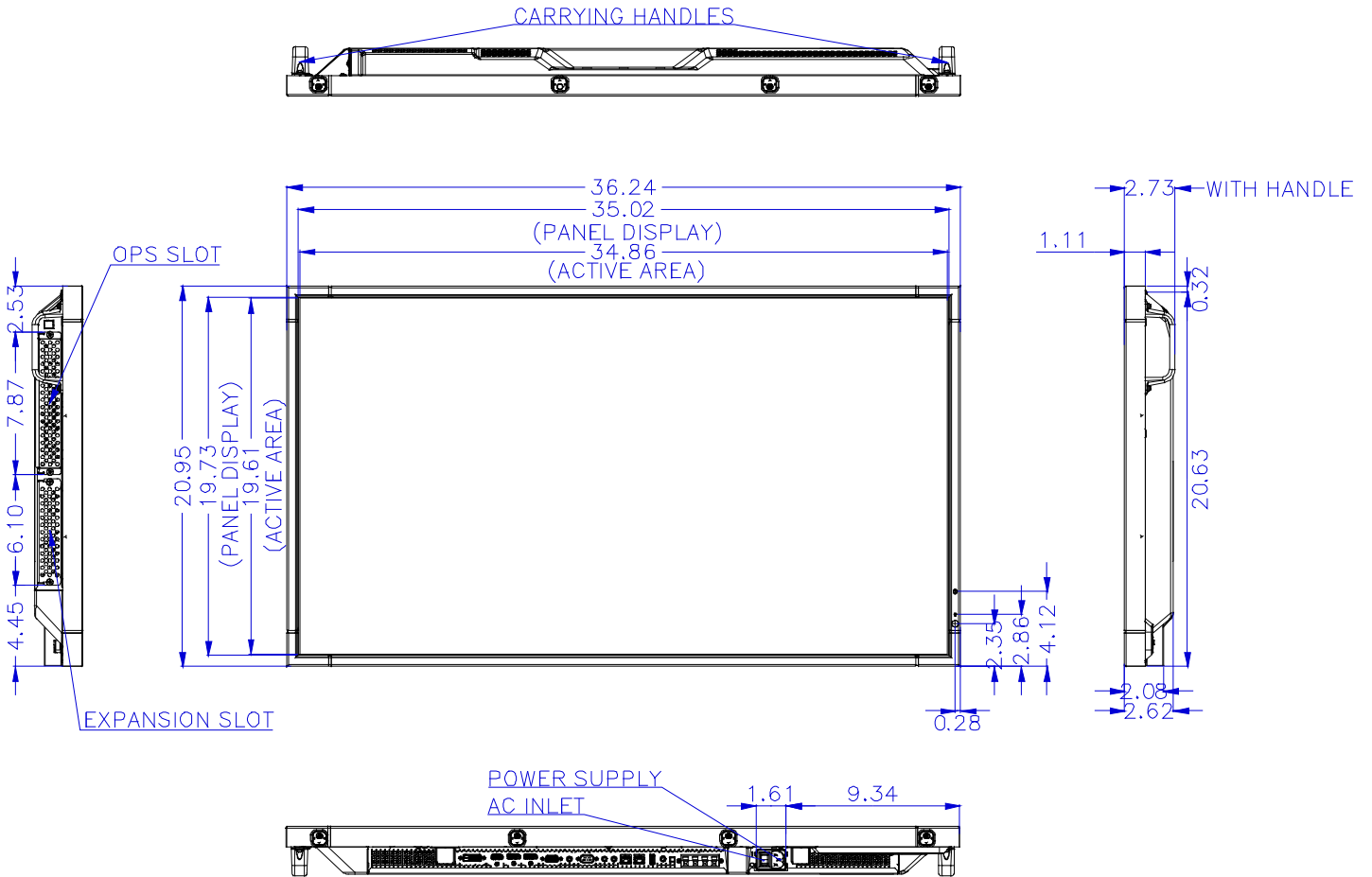
The ventilation space should not be covered or closed off at the front of the opening. If for some reason the opening needs to be covered, other means of ventilation will need to be incorporated into the design. Contact NEC for design review and recommendations.

P403 Installation Guide

40" LCD Display

Rev 1.0

Display dimensions:



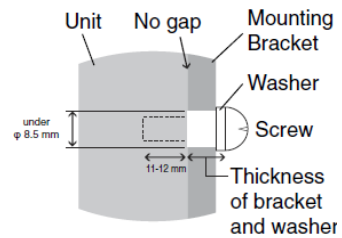
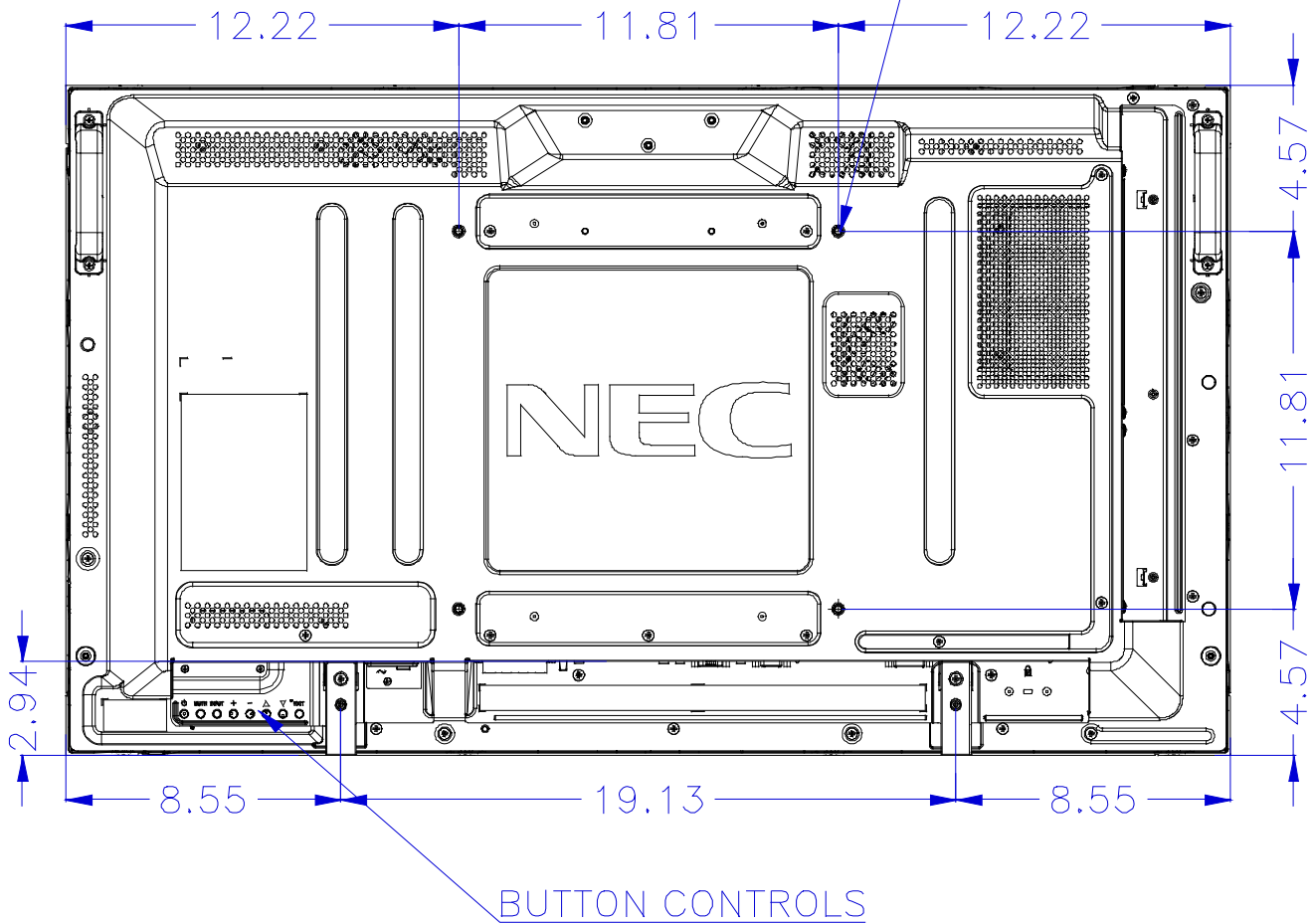
P403 Installation Guide

40" LCD Display

Rev 1.0

Display dimensions (cont.):

300mm x 300mm VESA HOLE PATTERN
FOR MOUNT UNIT (M6 Depth 12mm)



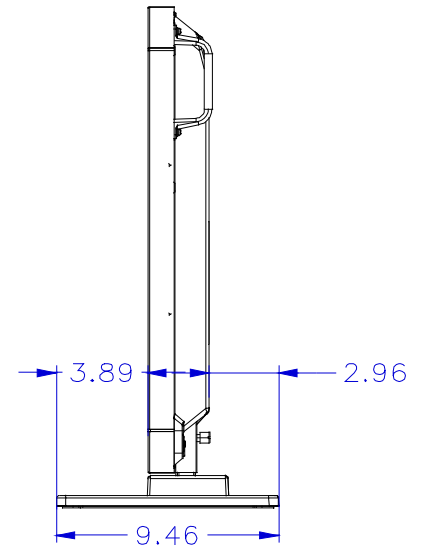
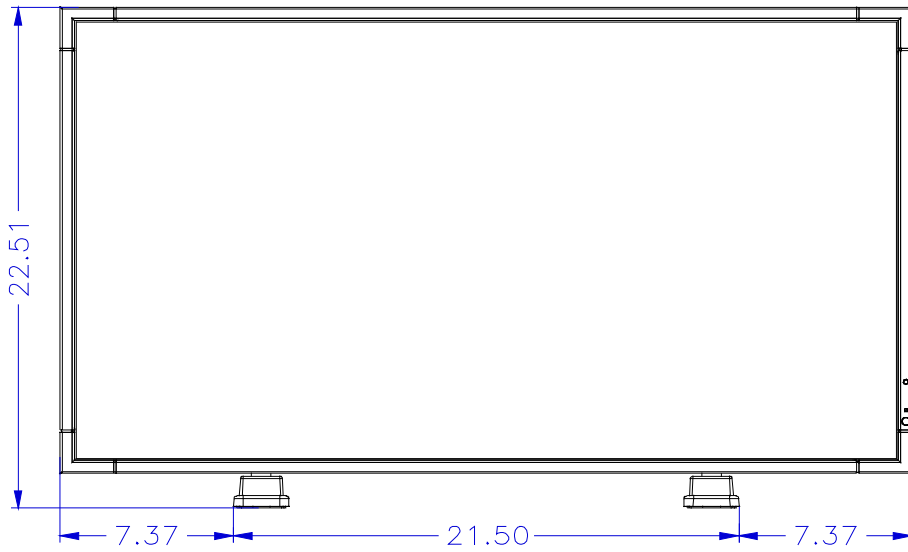
Screw length should equal depth of hole (11-12 mm) + the thickness of mounting bracket and washer. Bracket hole should be under ϕ 8.5 mm.

P403 Installation Guide

40" LCD Display

Rev 1.0

Display Dimensions (with ST-322 stand):

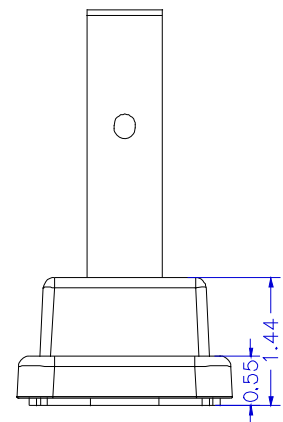
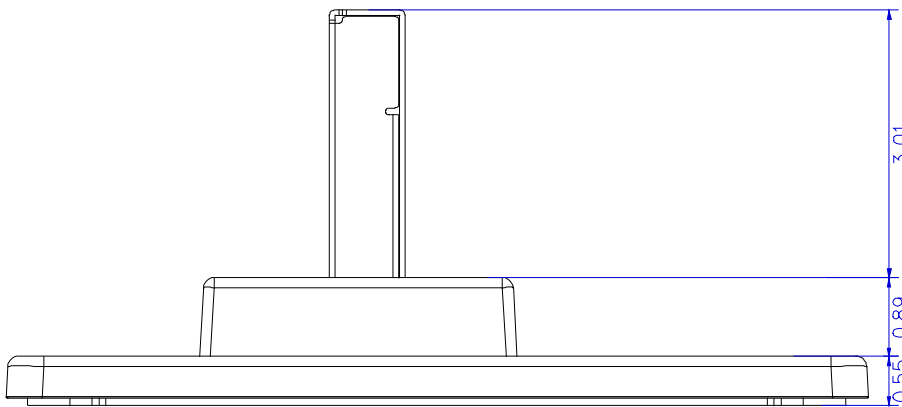
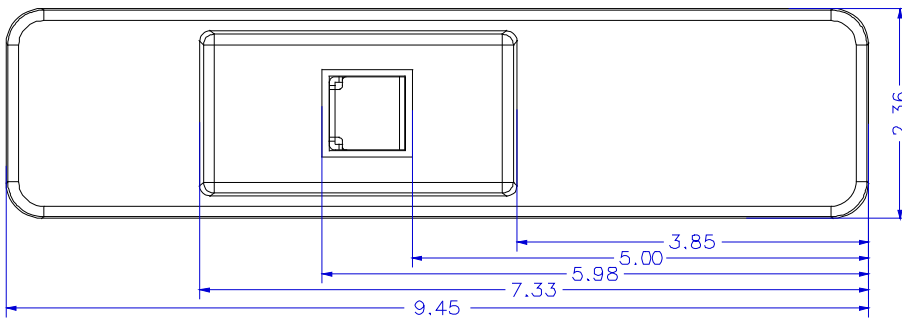


P403 Installation Guide

40" LCD Display

Rev 1.0

Optional Table Top Stand Dimensions (ST-322):

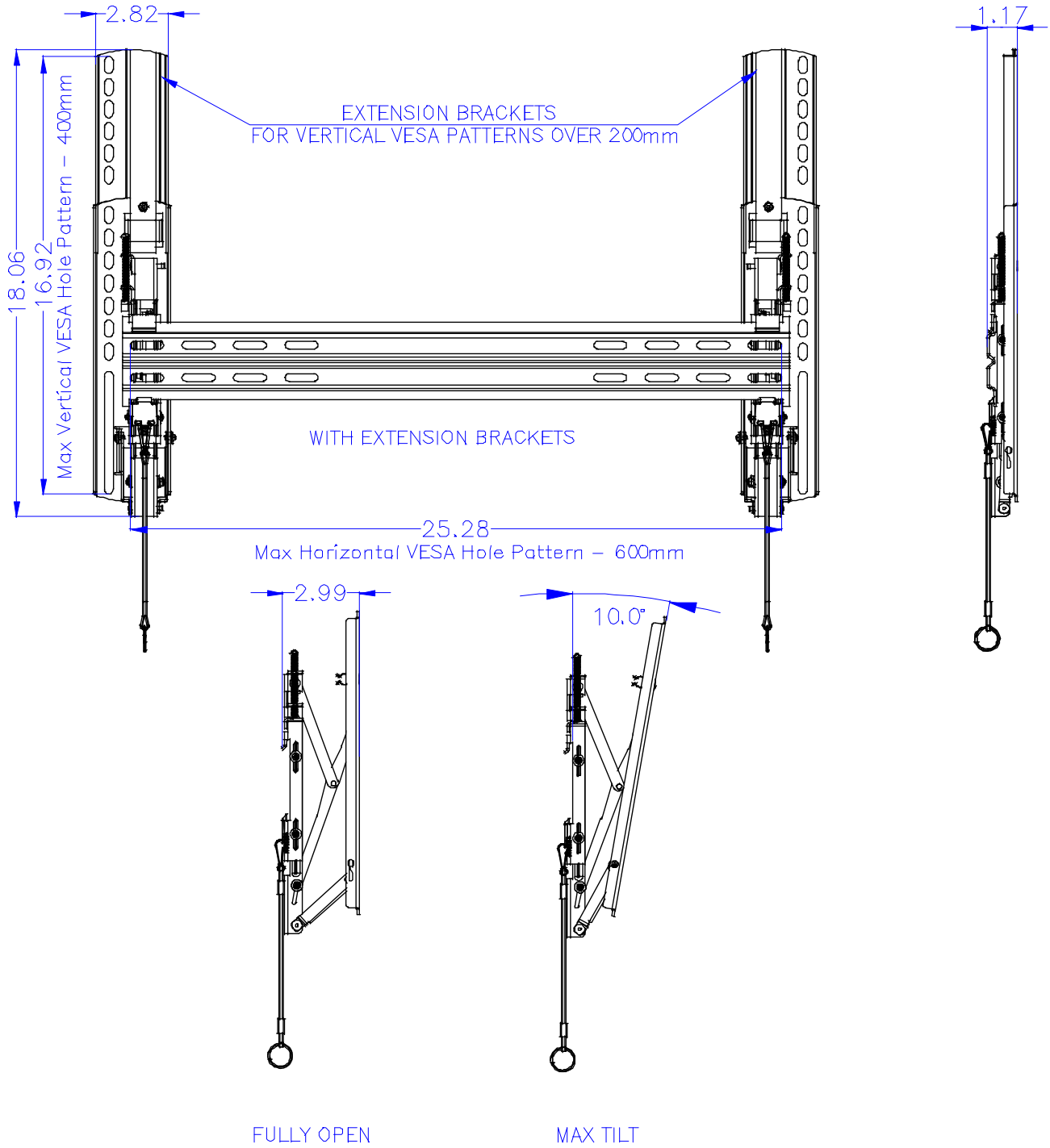


P403 Installation Guide

40" LCD Display

Rev 1.0

Dimensions of Optional Wall Mount Kit (WMK-4655S):



P403 Installation Guide

40" LCD Display

Rev 1.0

Input Panels:

Bottom:



Control Codes:

Function (Monitor ID = 1)	Code Data
Power ON	01 30 41 30 41 30 43 02 43 32 30 33 44 36 30 30 30 31 03 73 0d
Power OFF	01 30 41 30 41 30 43 02 43 32 30 33 44 36 30 30 30 34 03 76 0d
Input Source Select DisplayPort	01 30 41 30 45 30 41 02 30 30 36 30 30 30 30 46 03 04 0d
Input Source Select DVI	01 30 41 30 45 30 41 02 30 30 36 30 30 30 30 33 03 71 0d
Input Source Select VGA	01 30 41 30 45 30 41 02 30 30 36 30 30 30 30 31 03 73 0d
Input Source Select HDMI	01 30 41 30 45 30 41 02 30 30 36 30 30 30 31 31 03 72 0d
Input Source Select Y/Pb/Pr	01 30 41 30 45 30 41 02 30 30 36 30 30 30 30 43 03 01 0d
Input Source Select VIDEO	01 30 41 30 45 30 41 02 30 30 36 30 30 30 30 35 03 77 0d
Input Source Select S-VIDEO	01 30 41 30 45 30 41 02 30 30 36 30 30 30 30 37 03 75 0d
Input Source Select OPTION	01 30 41 30 45 30 41 02 30 30 36 30 30 30 30 44 03 06 0d
Sound Mute ON	01 30 41 30 45 30 41 02 30 30 38 44 30 30 30 31 03 09 0d
Sound Mute OFF	01 30 41 30 45 30 41 02 30 30 38 44 30 30 30 32 03 0a 0d

NOTE: Contact your NEC rep for codes not listed.

NOTE: Use a cross/reverse/null modem cable.

Cable Connection:

Communication Protocol:

Interface: RS-232C
 Communication System: Asynchronous
 Baud Rate: 9600 bps
 Data Length: 8 bits
 Parity: None
 Stop Bit: 1 bit
 Communication Code: ASCII

Interface: Ethernet (CSMA/CD)
 Communication System: TCP/IP (Internet Protocol Suite)
 Communication Layer: Transport layer (TCP)
 IP Address: 192.168.0.10 (default out of box)
 Port Number: 7142 (Fixed)

NOTE: If so desired, jumper "Request to send" and "Clear to Send" together on both ends of the cable to simplify cable connection. These connections are not required. The only connections required are pins 2 (TxD), 3 (RxD) and 5 (GND).