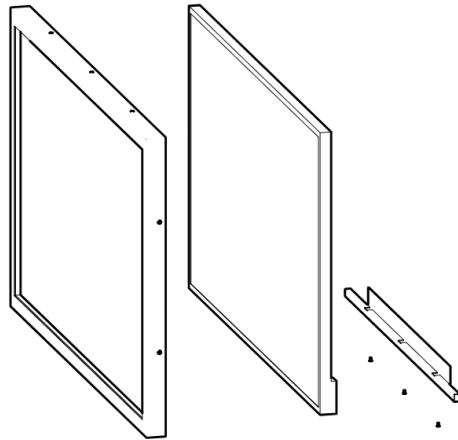


1.0 Contents

Guide Purpose	Page 1
Notes and Warnings	Page 1
Equipment	Page 2
Dimensional Drawings	Page 2
Installation Procedure	Page 3



2.0 Purpose

2.1 This procedure describes the steps to install the IR touch overlay onto the C431 display.

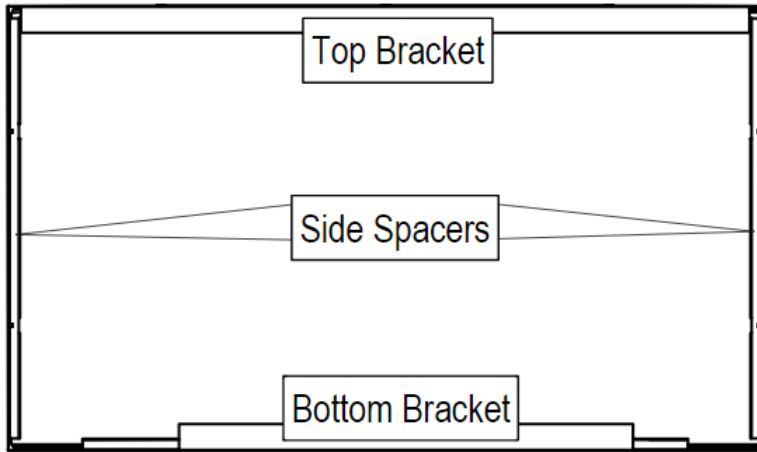
3.0 Notes and Warnings

- 3.1 **Prior to installing the overlay, remove the NEC badge from the bottom edge of the monitor.**
- 3.2 The overlay contains tempered glass. Use caution when handling.
- 3.3 The overlay has an integrated USB cable located along the bottom edge of the overlay. Ensure the cable is not pinched, crushed, or damaged during installation.
- 3.4 Installation requires two persons at all times to ensure the touch frame does not bend or torque.
- 3.5 Once the touch screen is installed, do not lift the monitor by grasping or holding the touch screen overlay.
- 3.6 Contact NEC Display Solutions support if you have any questions or require additional installation guidance support.

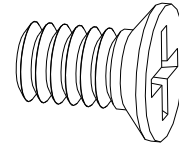
500 Park Boulevard, Suite 1100
Itasca, IL 60143
Phone: (800) 632-4662

4.0 Equipment

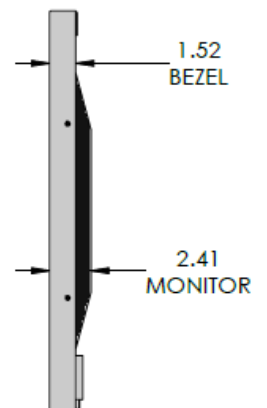
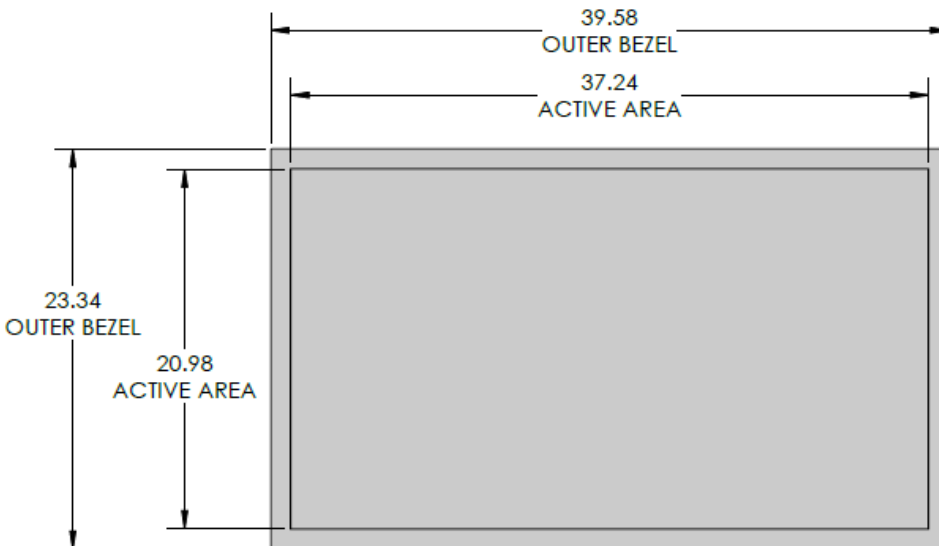
(1) C431 IR Overlay



(1) Spare #6-32 Philips flathead machine screw



5.0 Dimensional Drawings

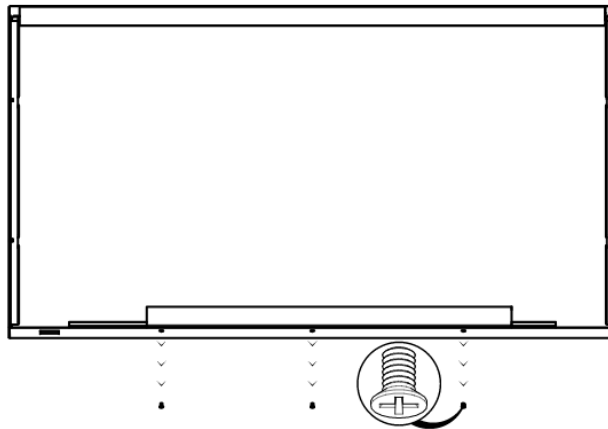


6.0 Installation Procedure

6.1 Remove the overlay from the packaging. Place the overlay face down on a padded surface and verify the material contents (see Equipment on Page 2).

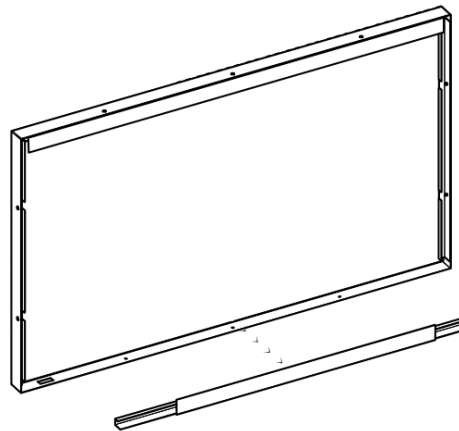
6.2 Use a #2 Philips screwdriver to remove the three (3) #6-32 flathead screws securing the bottom bracket to the overlay.

6.2.1 **Do NOT remove any remaining screws from the overlay.**



6.3 Remove the bottom bracket from the overlay.

6.3.1 Set the screws and bracket aside for reuse in steps 6.9 and 6.10.



6.4 Use a cloth and mild cleaner to clean the monitor and inside surface of the overlay.

6.4.1 **Do not use any chemical solvents, such as acidic or alkali solutions.**

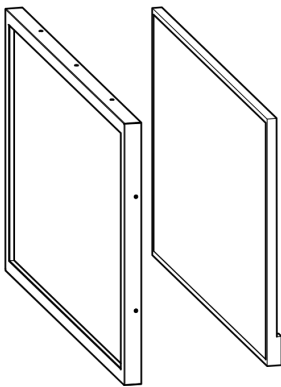
6.4.2 If available, use compressed air after cleaning to remove any lint or dust.

6.5 With the help from at least one partner, **gently** install the overlay on the monitor.

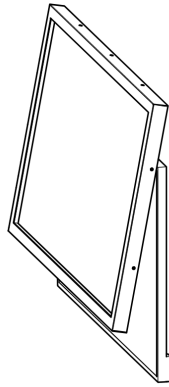
6.5.1 Hook the top bracket of the overlay on the top of the monitor.

6.5.2 Slide the overlay toward the bottom of the monitor. The sides of the overlay will slide past the sides of the monitor.

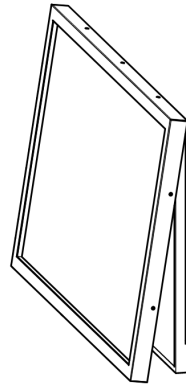
6.5.3 Lower the overlay down to the monitor surface.



Step 6.5.1



Step 6.5.2



Step 6.5.3

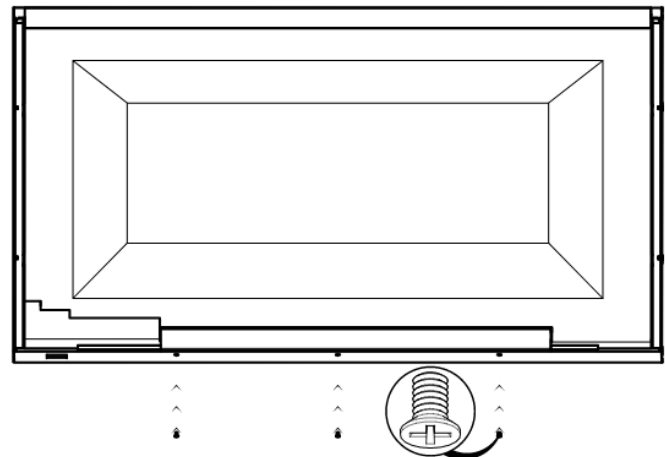
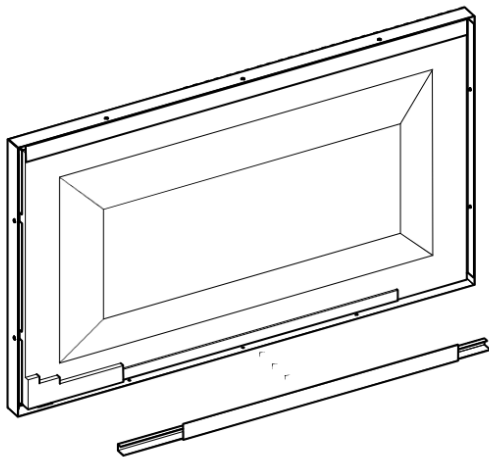
6.6 **Be sure the USB cable is toward the bottom of the monitor and is not crushed or pinched during installation.**

6.7 **Be sure not to scratch or damage the monitor or glass surface while installing the overlay.**

6.8 **Double check the monitor panel and overlay glass for dirt, smudges, or dust before securing the overlay to the monitor.**

6.9 Return the bottom bracket to its original position.

6.10 Replace the three (3) #6-32 flathead screws to secure the bottom bracket to the overlay.



6.12 Touch overlay hardware installation completed. Attach the USB output cable to your PC or media player and enjoy your new touch capabilities!