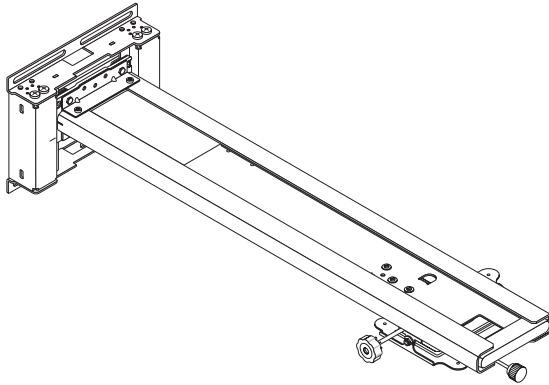


Wall Mount Unit

NP05WK/NP05WK1

Installation and Adjustment Manual



Wall Mount Unit

NP05WK/NP05WK1 Installation and Adjustment Manual

Thank you for your purchase of this NEC wall mount unit.

Please read this installation and adjustment manual carefully to ensure proper use.

For a list of the supported projectors, please see the NEC website or NEC catalogs.

The projector illustrations in this installation and adjustment instruction manual are for illustration purposes only and may differ in form from the projector to be installed.



Special skills are required to install the wall mount unit. This work should never be performed by the customer.



To the Dealer and Installer

To ensure customer safety, we ask that the installation work be started after careful attention is paid to the strength of the mounting location to ensure it will withstand the weight of the projector and mounting hardware.



CONTENTS

Please heed the following	ENG-2
Introduction	ENG-4
Packaged Parts	ENG-4
Names of Parts	ENG-5
Dimensions of Parts	ENG-6
Installing the Projector	ENG-7
Adjusting for Distortion of the Projected Image	ENG-12
Specifications	ENG-18







Please heed the following

● Symbol




In this "Installation and Adjustment Manual", to ensure the safe and proper use of the product, prevent harm to yourself and others and damage to property, various symbols are used. The symbols and meanings are as follows. Please read this manual after ensuring the contents are well understood.

 Warning	Improper handling and ignoring this indication may result in bodily harm such as death, serious injury and so on.
 Caution	Improper handling and ignoring this indication may result in bodily injury and damage to surrounding contents.

Examples of symbols:

	 Symbol alerts you to cautions (including warnings) Concrete cautions are specified in figures.
	 Symbol expresses prohibited actions Concrete prohibitions are specified in figures.
	 Symbol expresses compulsory actions. Concrete instructions are specified in figures.

Warning

-  • When installing the projector and adjusting the projection position, be sure to do so as explained in this manual. The projector may fall and cause injury if installed and adjusted improperly.
-  • To prevent the projector from falling, install it in a location and fasten it so as to ensure sufficient strength to support the combined weight of the projector, the wall mount unit and so on for an extended period as well as to withstand earthquakes. Insufficient strength or fastening may result in the projector falling and causing injury.
Be sure to observe the following precautions:
 - Use M6 (1/4 inch) for the wall fixation bolts and screws for the wall adapter.
 - Use an outlet for the power source of the projector. Do not directly connect to the lamp line because this is dangerous. Also, use an accessible outlet so that you can connect and disconnect the power plug.
 - Mounting on a wooden wall
Ensure the load is mounted on a pillar or robust constructional material. If the strength of the constructional material and so on is insufficient, please reinforce it. Do not mount on wall finishing material, furring strip and so on.
 - Mounting on a concrete wall
Use a commercial anchor bolt M6 (1/4 inch), anchor nuts and similar, which will bear the load of the projector.
-  • Do not install in places subject to constant vibration. Extended vibration may cause loosening of the screws and result in the Wall Mount Unit and projector falling and causing injury. Also, it may cause breakdown of the projector.

Warning



- To ensure safety, be sure to tighten the bolts, screws and safety lock screws securely. Failure to do so may result in the projector falling and causing injury.



- Do not modify any parts. Doing so may result in the projector and the Wall Mount Unit falling and causing injury.



- Do not use broken parts. Doing so may result in the projector and the Wall Mount Unit falling and causing injury. If a part should break, consult your dealer.



- Do not look into the projection window, mirror or lens when the projector is turned on. Doing so could damage your eyesight.



- Do not hang from the projector and the Wall Mount Unit. Doing so may result in the projector and the Wall Mount Unit falling and causing injury. Be especially careful of children.



- Do not use adhesive for the locking screws, lubricant agent, oil and so on for the wall adapter. Doing so may cause the material of the wall adapter to deteriorate and result in the projector falling and causing injury.



- Never hang anything from the arm of the wall mounting unit.
The arm may break and fall down and cause injuries.



- Make sure you hold the base of the arm before adjusting when you are lowering the arm. The arm may break and fall down causing injuries if it is not held at the base during adjustment.

Caution



- Do not obstruct the projector's ventilation holes. Doing so will prevent the dissipation of heat and may result in fire. In particular, do not use the projector in the following ways:
installing the projector in a place such as wall and so on where ventilation is poor, covering it, etc.



- Do not install the projector in front of the outlets of an air conditioner or heater or in a place exposed to significant vibrations. Doing so may result in fires and electric shock.



- Do not install the projector in humid or dusty places or those exposed to greasy smoke or steam (such as near cooking equipment or humidifiers). Doing so may result in fires.



- When installing the projector, leave sufficient space between it and surrounding objects. Failure to do so will prevent the dissipation of heat and may result in fires.

Please:

- Please avoid rooms with a lot of cigarette smoke and lamp soot, as well as dust and moisture. Dirt may get attached to optical parts such as the lens and result in a lowering of the image quality.
- Avoid places in which the screen is exposed to direct sunlight or illuminated light. When surrounding light directly hits the screen, the image appears washed out and is difficult to view.
- Avoid locations exposed to particularly high or low temperatures. Doing so may result in breakdown. (For the ambient operating temperature, see the user's manual included with the projector.)

Introduction

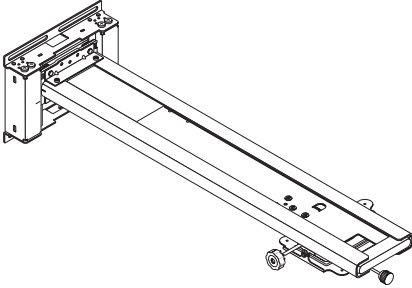
■ Packaged Parts

Check that the parts below are included in the package.

Wall adapter: 1 set

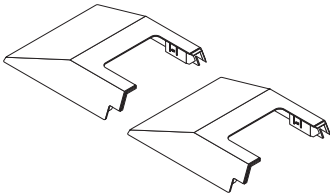
Slide arm: 1 set

The wall adapter and slide arm are assembled upon shipment.



Wall adapter covers: 2

These are covers for the wall adapter. The two covers are the same.



M4x8 mm screws: 4

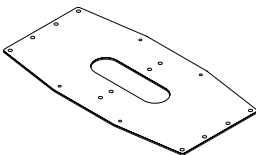
These are used to mount the projector.



Wall plate: 1

This is used to mount the wall adapter in the North American region.

* For the bolts or screws for mounting the wall adapter to the wall, use bolts or screws that are adapted to the wall surface.



M6x10 mm screws: 4

These are used to mount the wall plate to the wall mount unit.



Horizontally-inclined securing screws (A): 1 unit



Spring washer (B): 1 unit



Washer (C): 1 unit



To be used by those who want to fix the horizontal inclination of the screen after adjusting it. Please refer to the Install Guide for the installation method.

Washers: 4



Spacers: 4



These are used to mount the wall adapter to the wall.

* For the bolts or screws for mounting the wall adapter to the wall, use bolts or screws that are adapted to the wall surface.

Height adjustment securing screws (D) : 2 units



To be used by those who want to secure the height of the arm after adjusting it. Please refer to the back side of the Install Guide for the installation method.

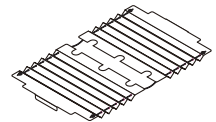
Hexagonal wrench: 1

This is a wrench for tightening the safety lock screws.



Blind curtain: 1 piece

To be used by those who want to conceal the arm base. Please refer to the back page of the Quick Install Guide for the installation method.



Cautions on Installation: 1

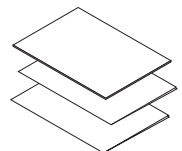
These include safety precautions on installing the wall mount unit, a list of the included parts and the specifications.

Quick Install Guide: 1

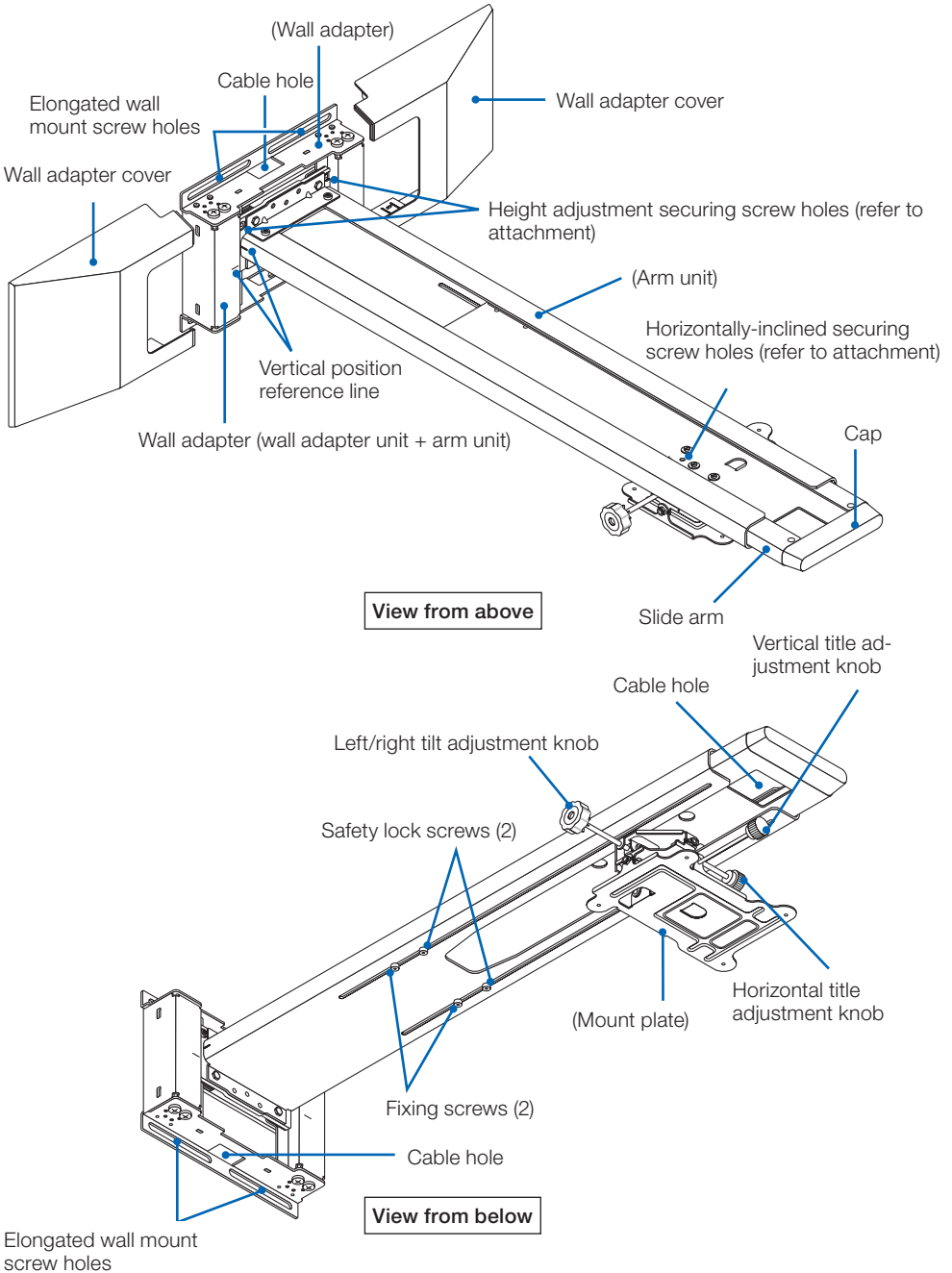
This provides a simple description of the installation and adjustment procedures.

Install Guide: 1

The installation method of the horizontally-inclined securing screws and height adjustment securing screws is presented here.



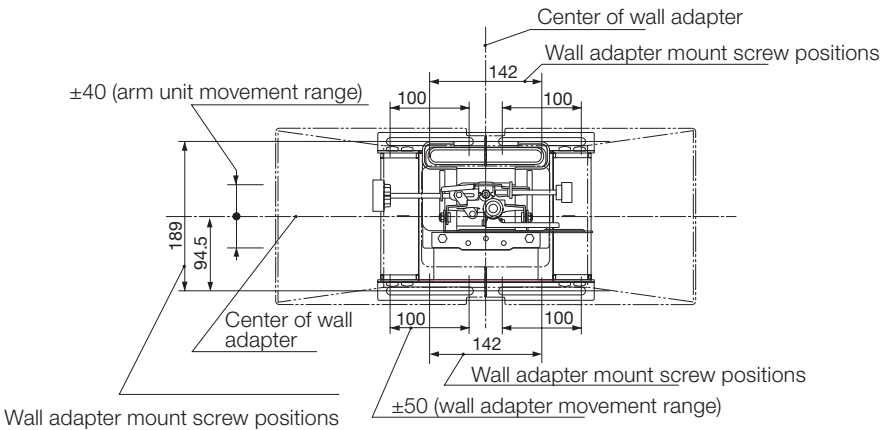
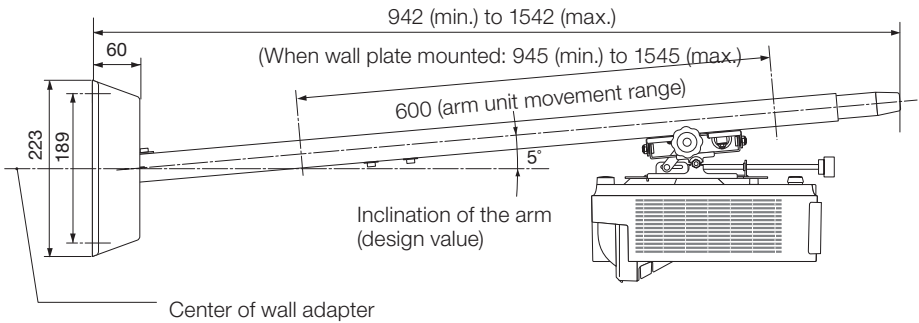
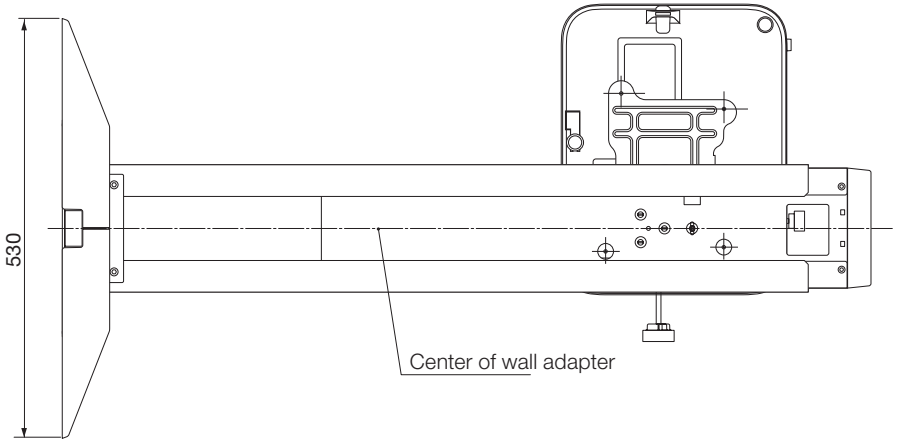
Names of Parts



■ Dimensions of Parts

The following shows an external view of the wall mount unit, the positions of the wall adapter's wall mount screws and the amount of movement when mounting the projector.

Units: mm



Installing the Projector

Before installing

1. Consider the place where the screen is to be installed and determine the position in which the wall mount unit is to be mounted. (Refer to the Quick Install Guide)
 - It is not possible to install in such a way that the image is projected at an angle. Position in such a way that the image is projected directly to the front.
2. Check that the position of installation meets the conditions in “Be sure to read before installing” on page ENG-2 of these instructions.
 - Because the elevation angle of the projector’s optical axis is large, small shifts in the projection distance will change the size and position of the projected image significantly. Also, if the direction in which the projector is facing is off, the distortion of the image increases.

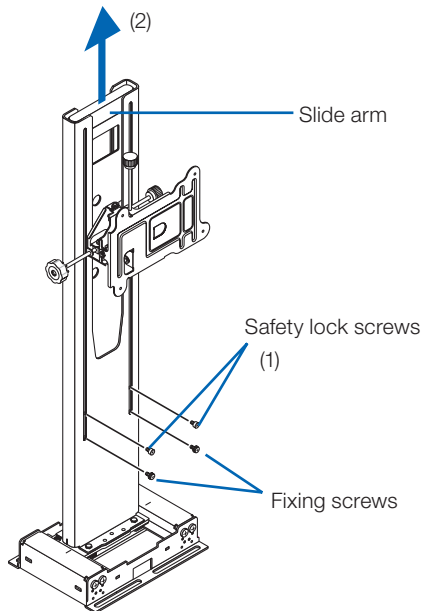
Preparations:

1. Prepare a Phillips screwdriver (magnetic) and the included hexagonal wrench.
2. Remove the projector’s cable cover. For instructions, see the respective operating instructions.

1. Remove the slide arm.

The wall adapter and slide arm are assembled upon shipment.

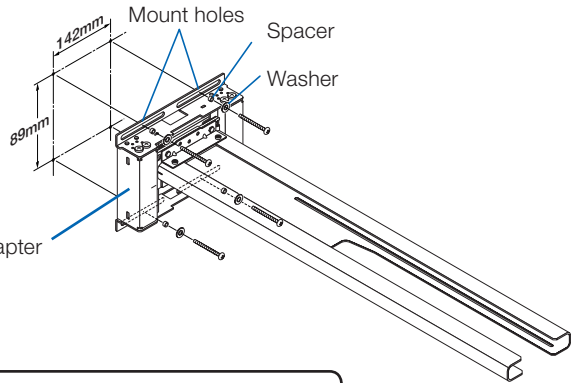
- (1) Remove the two fixing screws and the two safety lock screws.
- (2) Pull off the slide arm.



2. Attach the wall adapter to the wall's structural material.

Use the included washers and spacers to attach the wall adapter with the M6 screws (or bolts).

- Please refer to the attachment "Quick Install Guide" and ENG-6 of the "Dimensions of Parts" for the wall installation position and dimensions.
- Be sure to fasten the screws at the center of the mount holes, as they will serve as the reference points for the horizontal position.
- The wall adapter must be installed in the proper up/down direction. Mount it in the direction shown on the diagram.
- The horizontal position adjustment range is ± 50 mm.



CAUTION

- Mounting should be performed by two people.



WARNING

- Be sure to use M6 (1/4 inch) screws or bolts (4 locations) to fasten the bottom of the wall adapter. Using anything other than M6 screws (or bolts) could result in the projector falling and causing injury.



3. Attach the projector to the mount plate.

Line up the screw holes in the mount plate with the screw holes on the bottom of the projector and securely tighten the four included M4x8 screws.

- Place a thick, soft cloth, etc., on the floor to protect the projector from scratches.

Note: "MAX.M4 x 8" is indicated on the four screw holes on the bottom of the projector. Note that this indication is not for this product's projector adapter.

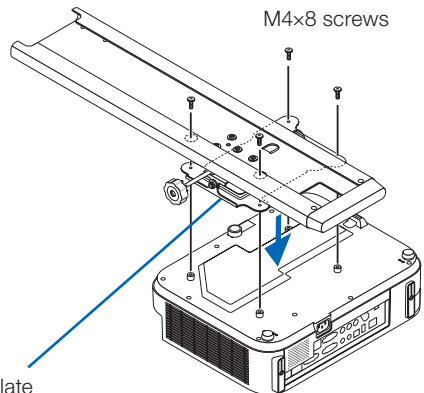
CAUTION

- Be careful not to touch the projector's projection window when mounting the projector.



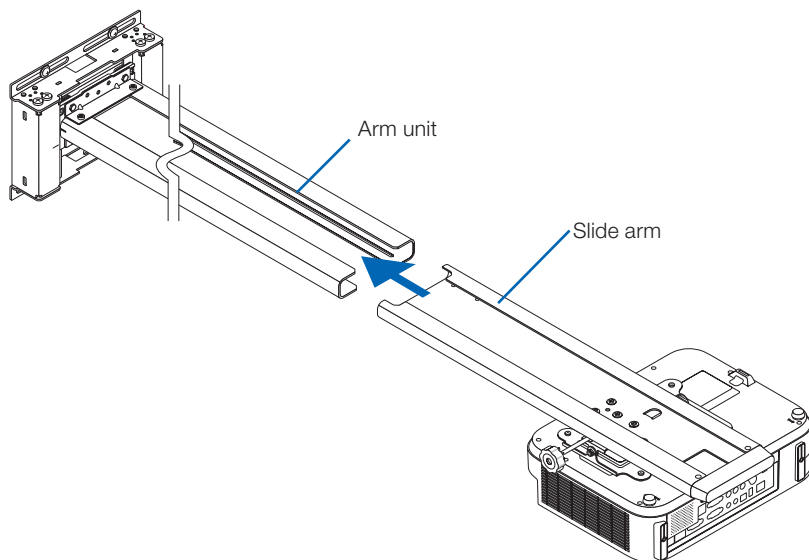
WARNING

- Mounting the projector using screws other than the included ones could damage the projector or result in it falling and causing injury. Be sure to use the included screws.



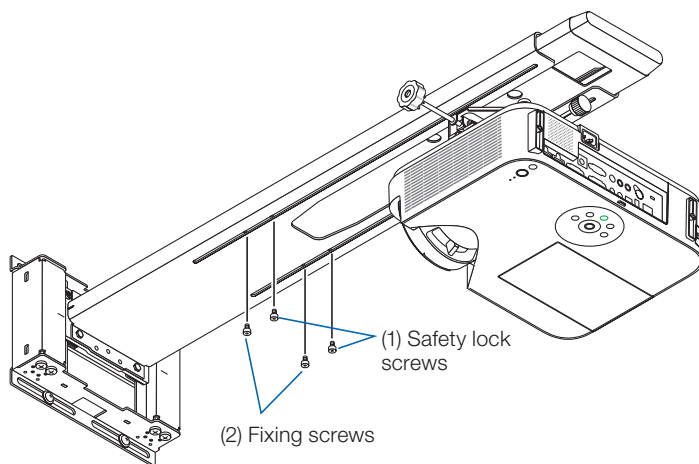
Mount plate

4. Insert the slide arm on the arm unit.



5. Attach the safety lock screws and fixing screws.

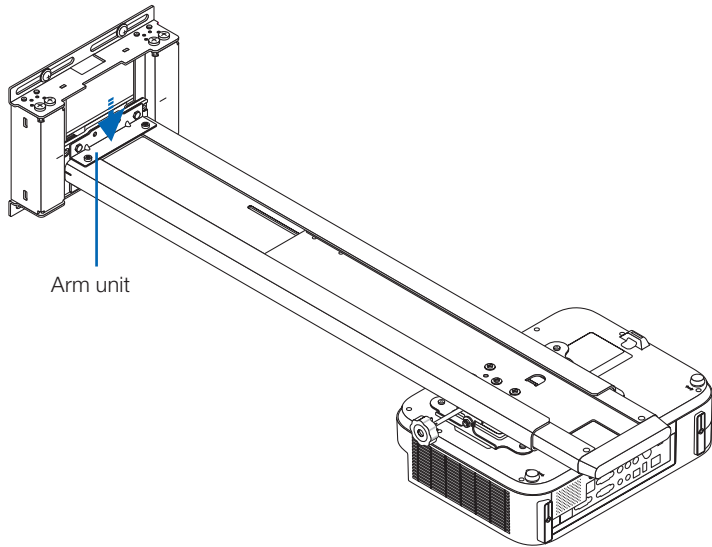
- (1) Use the included hexagonal wrench to securely tighten the two safety lock screws.
- (2) Leave the two fixing screws loose. Tighten them after adjustments are made.



* This diagram is as seen from below.

6. Make the initial setting of the arm unit's vertical position.

Upon shipment from the factory, the arm unit is set to the uppermost position. Hold the base of the arm and lower it all the way to the bottom once. This completes the initial setting of the arm unit's vertical position.



WARNING

- Do not remove the safety lock screws other than for assembly. Doing so could cause the slide arm to come off and fall, resulting in injury.
- When lowering the arm for adjustment, be sure to hold it at its base. If held at any other position while performing the adjustment, the arm could be damaged or fall, resulting in injury.

7. Cabling

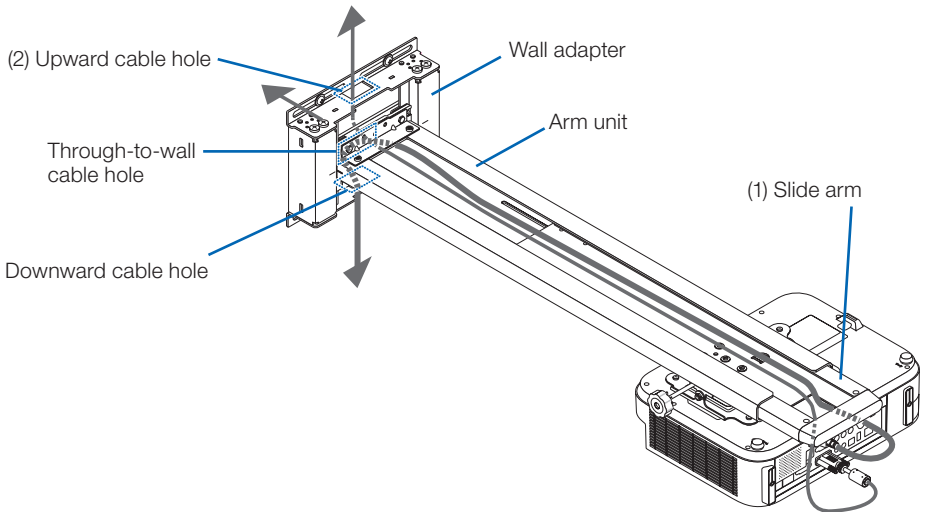
The power cord and signal cable(s) can be passed through the slide arm and wall adapter. There is one cable hole in the slide arm and three cable holes in the wall adapter (upward, through-to-wall and downward).

Select the cable holes to be used according to the cabling conditions.

- (1) Pass the cables through the cable hole in the slide arm then to the tip of the arm unit.
- (2) Pass the cables through the upper, lower or middle cable hole in the wall adapter.

CAUTION

- Provide enough cable length to allow for adjustment of the slide arm.
- When there are multiple signal cables, bundle them together. Do not bundle them with the power cord, however. Doing so may cause power-supply noise interference.



This completes installation of the projector.

Mount the projector's cable cover and the wall adapter's covers after adjusting the projected image.

Adjusting for Distortion of the Projected Image

■ Before Adjusting

Preparing the projector

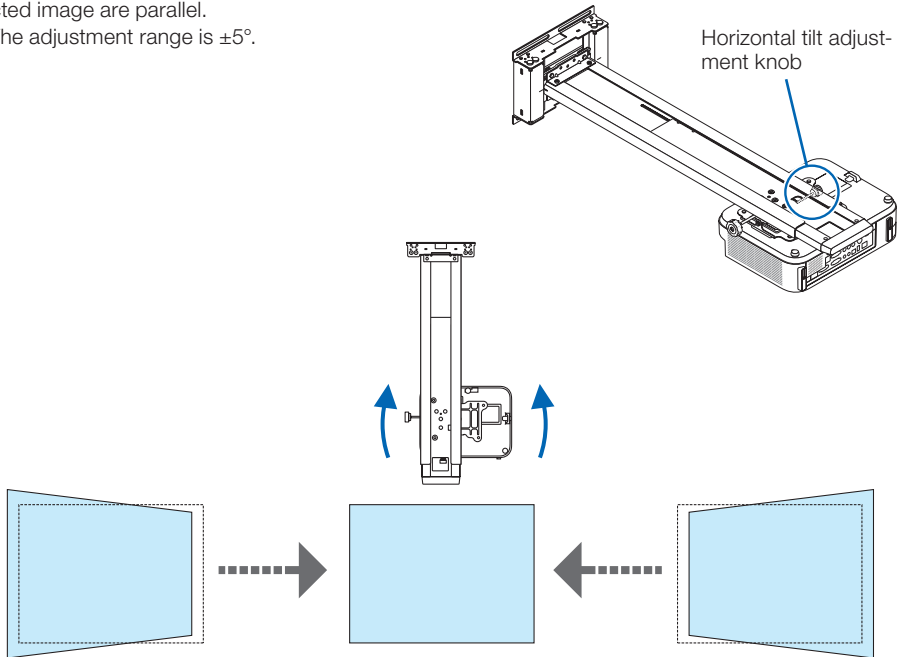
- Project an image from the projector, then first move the projector's focus ring to roughly adjust the focus of the projected image.
For instructions on projecting images, see "Projecting Images (Basic Operation)" of the user's manual (CD-ROM) supplied with the projector.
- At "Installation" or "Settings" on the on-screen menu, select "Ceiling/Front" for the projection method.
- For projectors with a test pattern function, adjustment is easier by projecting the test pattern.

The descriptive diagrams only indicate changes in the projected image for one adjustment at a time. In real circumstances, distortion is compound.

1. Adjust the projector's orientation in the horizontal direction.

Turn the horizontal tilt adjustment knob and adjust so that the top and bottom edges of the projected image are parallel.

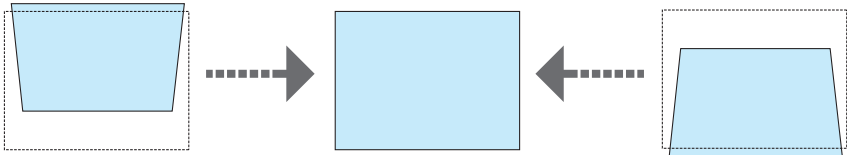
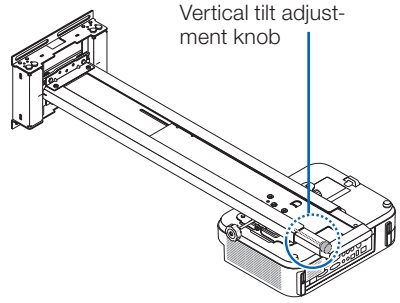
- The adjustment range is $\pm 5^\circ$.



2. Adjust the projector's tilt in the vertical direction.

Turn the vertical tilt adjustment knob and adjust so that the left and right edges of the projected image are parallel.

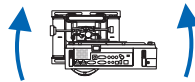
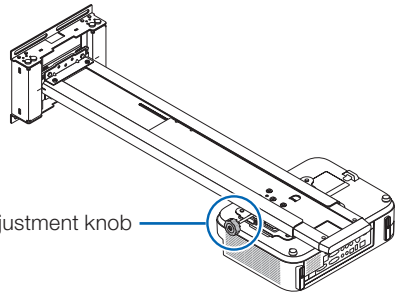
- The adjustment range is $\pm 5^\circ$.



3. Adjust the projector's tilt in the rotational direction.

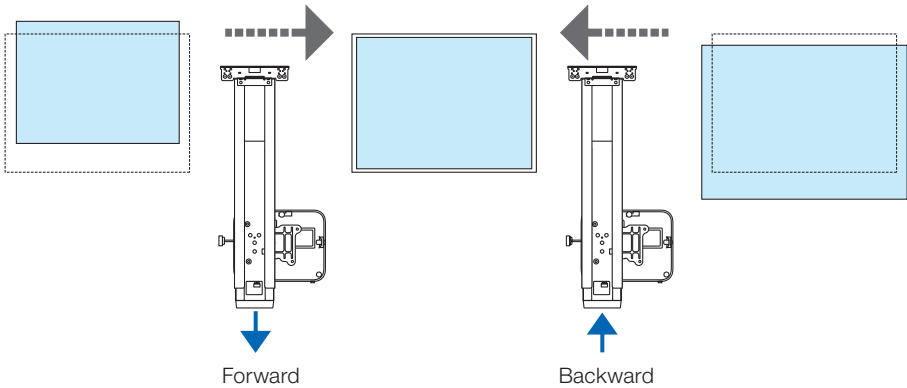
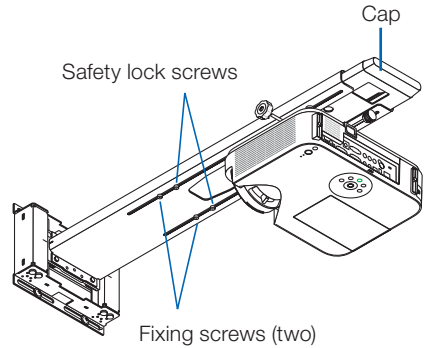
Turn the left/right tilt adjustment knob and adjust so that the image is parallel to the screen.

- The adjustment range is $\pm 5^\circ$.



4. Adjust the size of the projected image.

- (1) Loosen the arm unit's two fixing screws.
- (2) Holding the slide arm's cap, move forward or backward to project the image over the entire screen.
 - When installed following the instructions under "Projection Distance and Screen Size", the image is projected at about the center.
 - The slide arm moves a maximum of 600 mm.
 - In consideration of change over time of the position to which the projected image is adjusted, set so that the projected image is slightly (about 20 mm) smaller than the screen.



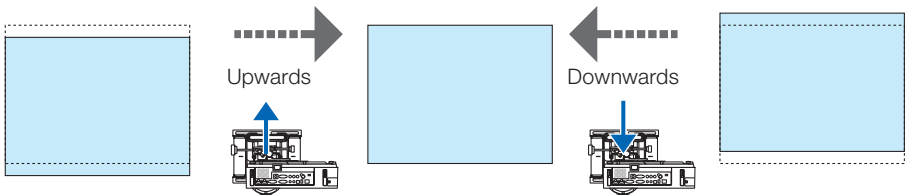
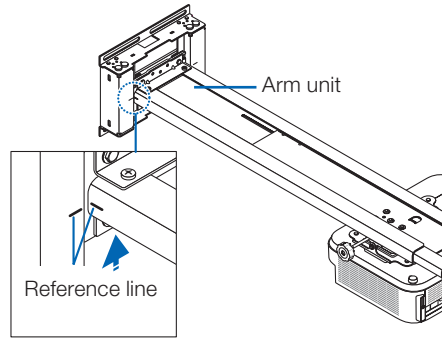
WARNING

- Do not remove the safety lock screws other than for assembly. Doing so could cause the slide arm to come off and fall, resulting in injury.

5. Adjust in the vertical direction.

Hold the base of the arm and move it upwards with the reference line as a guide. Adjust the projection image so that it is in the centre of the screen surface.

- * If the projected image moves too far upwards with respect to the screen surface, it is easier to adjust by first holding the base of the arm and lowering the arm, then moving it back upwards.
- The arm unit uses spring power to reduce the load when moving it upward.
- The adjustment range is ± 40 mm.



WARNING

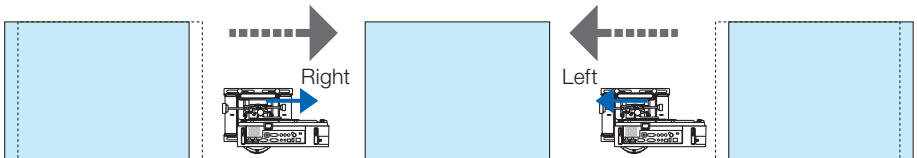
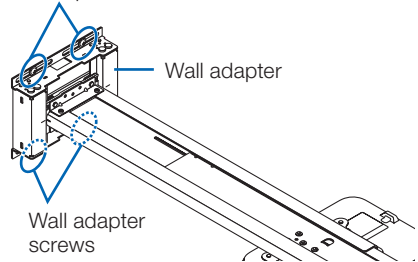
- When lowering the arm for adjustment, be sure to hold it at its base. If held at any other position while performing the adjustment, the arm could be damaged or fall, resulting in injury.

6. Adjust in the horizontal direction.

If the projected image is off the screen to one of the sides, slightly loosen the four screws of the wall adapter, then slide the wall adapter to adjust.

- The adjustment range is ± 50 mm.

Wall adapter screws



WARNING

- Do not loosen the screws too much. Doing so could damage the fitting or cause it to fall, resulting in injury.

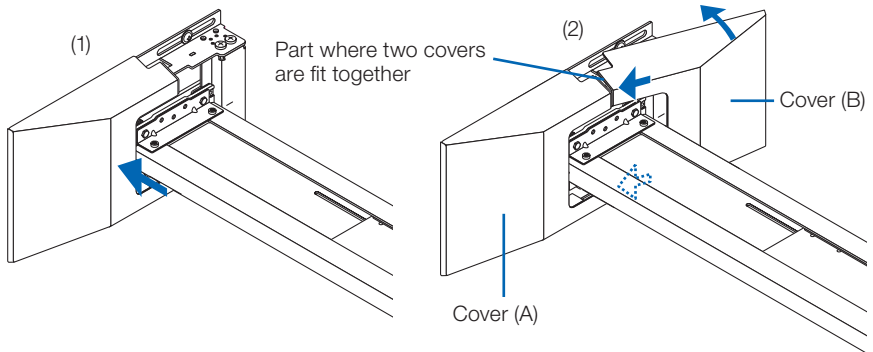
7. Once the adjustments are completed, securely tighten all the screws that were loosened.

8. Attach the covers to the wall adapter.

Cover (A) and cover (B) have the same shape.

Attaching the covers

- (1) Push one of the covers onto the wall adapter.
 - The four tabs on the back of the cover fit into the notches in the wall adapter, fixing the cover in place.
- (2) Insert cover (B) from an angle, then rotate it, paying attention to the tabs.
 - The four tabs on the back of the cover fit into the notches in the wall adapter, fixing the cover in place.

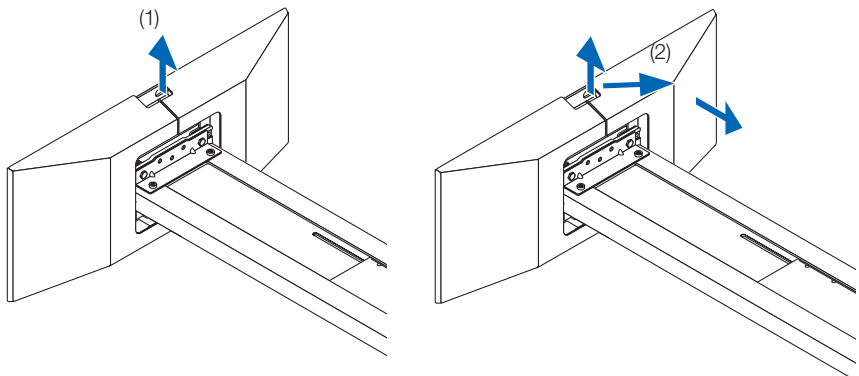


Removing the covers

- (1) Put a finger into the opening in the top of the cover, then lift slightly upward to unhook the tabs.
- (2) Pull diagonally as indicated by the arrows, then move the cover towards you to remove it. Remove the other cover using the same procedure.

CAUTION

- Do not pull by force if the tabs on the back of the cover are not unhooked. Doing so could damage the tabs.



9. Attach the cable cover to the projector.

For instructions on attaching the cover, see the user's manual.



WARNING

- Do not bundle the power cord together with the cables and put it under the cable cover. Doing so could result in fire.

This completes installation and adjustment.

Specifications

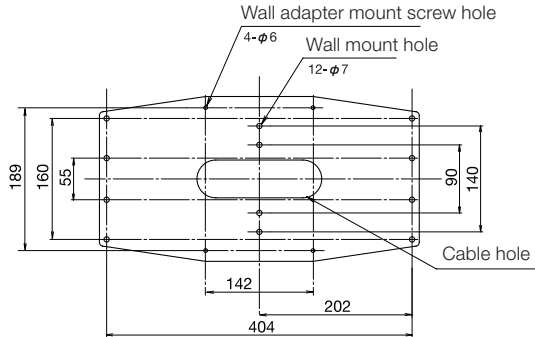
Product name	: Wall mount unit
Model name	: NP05WK/NP05WK1
Adjustable angles	: Vertical angle – $\pm 5^\circ$; Horizontal angle – $\pm 5^\circ$; Tilt angle – $\pm 5^\circ$
Adjustable positions	: Front/back – 422; Horizontal – ± 50 mm; Vertical – ± 40 mm
External dimensions	: 530 (W) x 942 (D) x 223 (H) mm (NP05WK1; 530 (W) x 945 (D) x 223 (H) mm)
Weight	: Approx. 13.7 kg (NP05WK1: 15.5 kg)
Load capacity	: 5.0 kg

These specifications and the design are subject to change without notice.

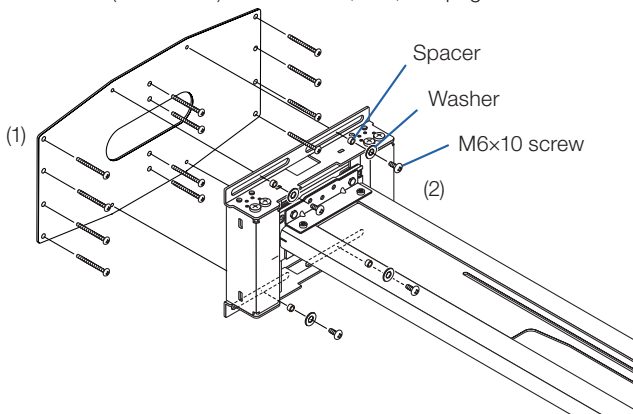
Using the wall plate (NP05WK1 only)

When attaching the wall adapter using the wall plate, make 16 holes in the wall at the positions indicated below. Make holes with the proper depth and diameter for the screws to be used.

Dimensional drawing for screw positions (units: mm)



- (1) Attach the included wall plate to a vertical member in the wall using screws (or bolts) (in 12 locations).
- (2) Securely fasten the wall adapter to the wall plate using the included screws (M6x10), spacers and washers (4 locations). For cautions, etc., see page ENG-8.



NP05WK/NP05WK1 Installations- und Einstellungshandbuch

Vielen Dank, dass Sie sich für den Kauf dieser NEC Wandhalterung entschieden haben. Bitte lesen dieses Installations- und Einstellungshandbuch sorgfältig durch, um den korrekten Gebrauch zu gewährleisten.

Eine Liste der unterstützten Projektoren finden Sie auf der NEC-Webseite oder in den NEC-Katalogen.

Die Projektor-Abbildungen in diesem Installations- und Einrichtungshandbuch dienen nur zur Veranschaulichung und können sich von dem zu installierenden Projektor unterscheiden.



Für die Montage der Wandhalterung sind spezielle Fertigkeiten erforderlich. Diese Arbeit sollte niemals durch den Kunden durchgeführt werden.



An den Händler und Installateur

Zur Gewährleistung der Sicherheit des Kunden bitten wir Sie, die Tragfähigkeit des Montageortes mit äußerster Sorgfalt zu überprüfen, um sicherzustellen, dass er dem Gewicht des Projektors und der Montageelemente standhält.



INHALTSVERZEICHNIS

Bitte beachten Sie das Folgende	GER-2
Einführung	GER-4
Mitgelieferte Teile.....	GER-4
Bezeichnungen der Teile	GER-5
Abmessungen der Teile.....	GER-6
Montage des Projektors.....	GER-7
Einstellung bei Verzerrung des projizierten Bildes	GER-12
Technische Daten	GER-18

Bitte beachten Sie das Folgende

● Symbol

Um einen sicheren und sachgemäßen Gebrauch des Produktes zu gewährleisten und Verletzungen für Sie selbst und Andere sowie Sachschäden zu verhüten, werden in diesem „Installations- und Einstellungshandbuch“ verschiedene Symbole verwendet. Die Symbole und Bedeutungen sind wie folgt. Bitte lesen Sie dieses Handbuch, nachdem Sie sichergestellt haben, dass Sie die Inhalte vollständig verstanden haben.

 Warnung	Unsachgemäße Handhabung und Nichtbeachtung dieses Zeichens kann körperliche Schäden wie Tod, schwere Verletzungen usw. zur Folge haben.
 Vorsicht	Unsachgemäße Handhabung und Nichtbeachtung dieses Zeichens kann körperliche Schäden und Beschädigung der Umgebungsanordnung zur Folge haben.

Symbolbeispiele:



△ Dieses Symbol ruft Sie zur Vorsicht auf (einschließlich Warnungen)
Konkrete Vorsichtshinweise werden in den Abbildungen näher angegeben.



⊘ Dieses Symbol drückt verbotene Handlungen aus
Konkrete Verbote werden in den Abbildungen näher angegeben.



● Dieses Symbol drückt vorgeschriebene Handlungen aus
Konkrete Anweisungen werden in den Abbildungen näher angegeben.

Warnung



- Stellen Sie sicher, dass Sie den Projektor so installieren und die Projektionsposition so einstellen, wie es in diesem Handbuch erklärt ist. Der Projektor könnte sonst, wenn er falsch installiert und eingestellt wird, herunterfallen und Verletzungen zur Folge haben.



- Installieren Sie den Projektor an einem Ort bzw. befestigen Sie ihn so, dass eine ausreichende Tragfähigkeit für das gemeinsame Gewicht des Projektors, die Wandhalterung usw. über einen ausgedehnten Zeitraum gewährleistet ist, damit der Projektor nicht herunterfallen sowie auch Erdbeben standhalten kann. Durch eine unzureichende Tragfähigkeit bzw. Befestigung könnte der Projektor herunterfallen und Verletzungen verursachen. Stellen Sie sicher, dass Sie die folgenden Sicherheitsmaßnahmen einhalten:
 - Verwenden Sie M6 (1/4 Zoll) für die Wandbefestigungsbolzen und die Schrauben für den Wandadapter.
 - Verwenden Sie eine Steckdose für die Stromversorgung des Projektors. Schließen Sie die Lampenleitung nicht direkt an, da dies gefährlich ist. Verwenden Sie außerdem eine leicht zugängliche Steckdose, damit Sie den Netzstecker anschließen und trennen können.
 - Montage an einer Holzwand
Stellen Sie sicher, dass die Last an einem Stützpfiler oder an robustem Baumaterial montiert wird. Falls die Tragfähigkeit des Baumaterials usw. unzureichend ist, verstärken Sie es bitte. Montieren Sie nicht an Wandoberflächenmaterialien, Futterholzleisten usw.
 - Montage an einer Betonwand
Verwenden Sie einen im Handel erhältlichen Dübel M6 (1/4 Zoll), Einschraubmuttern und Ähnliches, die die Last des Projektors tragen können.



- Installieren Sie nicht an Orten, die ständiger Erschütterung ausgesetzt sind. Ausgedehnte Erschütterungen können dazu führen, dass sich die Schrauben lösen und dadurch die Wandhalterung und der Projektor herunterfallen und Verletzungen verursachen. Außerdem kann es zur Beschädigung des Projektors führen.

Warnung



• Sorgen Sie dafür, die Bolzen, Schrauben und Sicherheitsklemmschrauben sicher anzuziehen, um die Sicherheit zu gewährleisten. Bei Nichtbeachtung könnte der Projektor herunterfallen und Verletzungen verursachen.



• Modifizieren Sie keinerlei Teile. Dadurch könnten der Projektor und die Wandhalterung herunterfallen und Verletzungen verursachen.



• Verwenden Sie keine defekten Teile. Dadurch könnten der Projektor und die Wandhalterung herunterfallen und Verletzungen verursachen. Falls ein Teil beschädigt werden sollte, wenden Sie sich bitte an Ihren Händler.



• Blicken Sie nicht in das Projektionsfenster, den Spiegel oder das Objektiv, wenn der Projektor eingeschaltet ist. Dadurch könnte Ihr Augenlicht geschädigt werden.



• Hängen Sie sich nicht an den Projektor und die Wandhalterung. Dadurch könnten der Projektor und die Wandhalterung herunterfallen und Verletzungen verursachen. Geben Sie besonders auf Kinder Acht.



• Verwenden Sie keinen Klebstoff für die Feststellschrauben und kein Schmiermittel, Öl usw. für den Wandadapter. Dadurch könnte das Material des Wandadapters verfallen, was dazu führen kann, dass der Projektor und die Wandhalterung herunterfallen und Verletzungen verursachen.



• Hängen Sie nichts an den Arm der Wandhalterung.
Der Arm kann abbrechen und herunterfallen und Verletzungen verursachen.



• Achten Sie darauf, die Basis des Arms vor dem Verstellen festzuhalten, wenn Sie den Arm absenken. Der Arm kann abbrechen und herunterfallen und so Verletzungen verursachen, wenn er nicht während des Verstellens an der Basis festgehalten wird.

Vorsicht



• Verstellen Sie die Belüftungsöffnungen des Projektors nicht. Dadurch wird die Wärmeableitung behindert, was zu einem Feuer führen könnte. Verwenden Sie den Projektor vor allem nicht auf die folgende Weise:

Installieren des Projektors an einem Platz, wie z. B. an einer Wand usw., wo die Belüftung mangelhaft ist, der Projektor bedeckt wird usw.



• Installieren Sie den Projektor nicht vor den Auslässen einer Klimaanlage oder einer Heizung oder an einem Platz, der erheblichen Erschütterungen ausgesetzt ist. Dies könnte zu Feuer und Stromschlag führen.



• Installieren Sie den Projektor nicht an feuchten oder staubigen Plätzen oder solchen, die fettigem Rauch oder Dampf ausgesetzt sind (wie beispielsweise in der Nähe von Kochgeräten oder Luftbefeuchtern). Dadurch könnten Brände herbeigeführt werden.



• Wenn Sie den Projektor installieren, lassen Sie ausreichend Raum zwischen ihm und umgebenden Gegenständen. Anderenfalls wird die Wärmeableitung behindert, was zu Bränden führen könnte.

Bitte:

- Vermeiden Sie Räume mit viel Zigarettenrauch und Lampenruß sowie Staub und Feuchtigkeit. Schmutz kann sich auf den optischen Teilen wie der Linse absetzen und zu einer Verringerung der Bildqualität führen.
- Vermeiden Sie Plätze, an denen der Bildschirm direktem Sonnenlicht oder Lichteinstrahlung ausgesetzt ist.
Wenn das Umgebungslicht direkt auf den Bildschirm trifft, erscheint das Bild ausgewaschen und ist schwer zu sehen.
- Vermeiden Sie Orte, die besonders hohen oder niedrigen Temperaturen ausgesetzt sind. Dies könnte zu Betriebsausfällen führen. (Weitere Informationen zur Betriebsumgebungstemperatur finden Sie im dem Projektor beiliegenden Benutzerhandbuch.)

Einführung

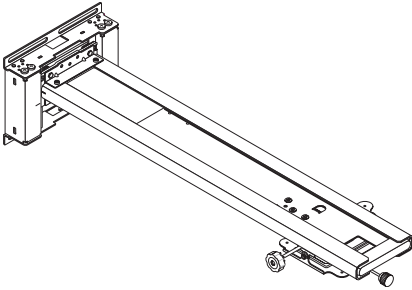
■ Mitgelieferte Teile

Überprüfen Sie, ob die nachfolgenden Teile im Lieferumfang enthalten sind.

Wandadapter: 1 Satz

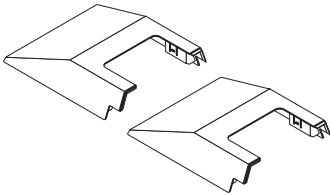
Gleitschiene: 1 Satz

Wandadapter und Gleitschiene sind bei der Auslieferung zusammengebaut.



Wandadapterabdeckung: 2

Diese sind Abdeckungen für den Wandadapter. Die zwei Abdeckungen sind identisch.



Schrauben M4×8 mm: 4

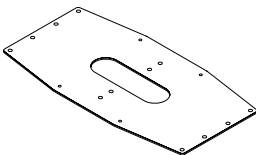
Diese dienen zur Befestigung des Projektors.



Wandplatte: 1

Dies dient zur Befestigung des Wandadapters, wenn dieser im nordamerikanischen Raum installiert wird.

* Verwenden Sie für die Montage des Wandadapters an der Wand Bolzen oder Schrauben, die an die Wandoberfläche angepasst sind.



Schrauben M6×10: 4

Diese werden für die Befestigung der Wandplatte an der Wandhalterung verwendet.



Horizontal geneigte Sicherungsschrauben (A): 1 Teil

Federring (B): 1 Stück

Unterlegscheibe (C): 1 Stück

Verwenden Sie diese, wenn Sie die horizontale Neigung des Bildschirms nach der Einstellung feststellen wollen. Bitte beziehen Sie sich für die Installationsmethode auf die Installationsanleitung.



Unterlegscheiben: 4

Distanzstücke: 4

Diese werden für die Montage des Wandadapters an der Wand verwendet.

* Verwenden Sie für die Montage des Wandadapters an der Wand Bolzen oder Schrauben, die an die Wandoberfläche angepasst sind.



Höheneinstellungssicherungsschrauben (D): 2 Teile

Verwenden Sie diese, wenn Sie die Höhe des Arms nach der Einstellung sichern wollen. Bitte beziehen Sie sich für die Installationsmethode auf die Rückseite der Installationseinleitung.



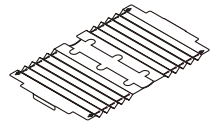
Sechskantschlüssel: 1

Hierbei handelt es sich um einen Schraubenschlüssel zum Festziehen der Sicherheitsklemmschrauben.



Verdunklungsvorhang: 1 Stück

Verwenden Sie diesen, wenn Sie die Armbasis verdecken wollen. Beziehen Sie sich bitte auf die Rückseite der Installationskurzanleitung hinsichtlich der Installationsmethode.



Vorsichtshinweise für die Installation: 1

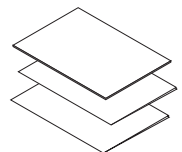
Diese beinhalten Sicherheitshinweise für die Montage der Wandhalterung, eine Liste der mitgelieferten Teile und die technischen Daten.

Installationskurzanleitung: 1

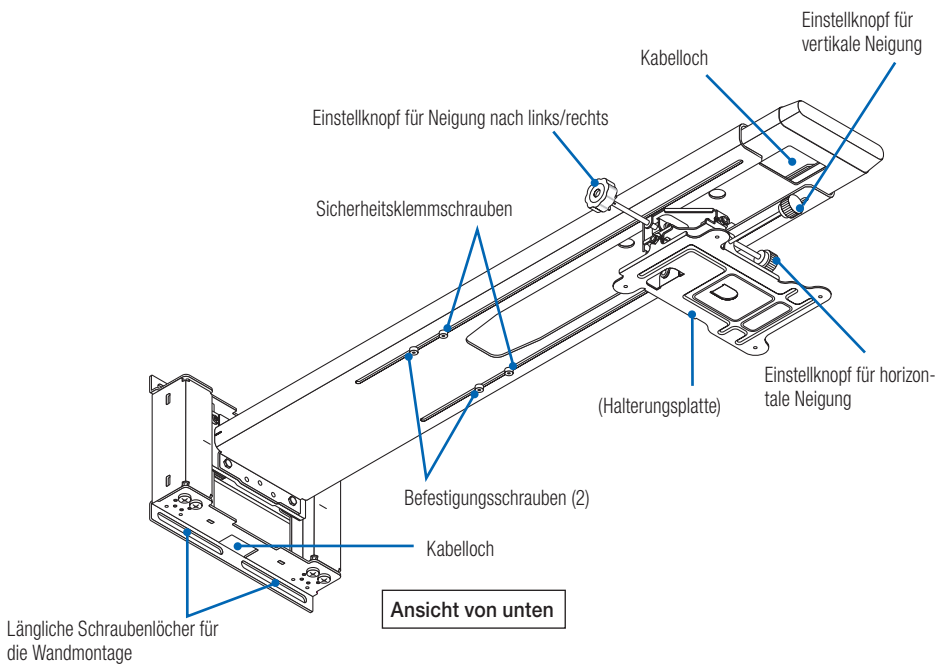
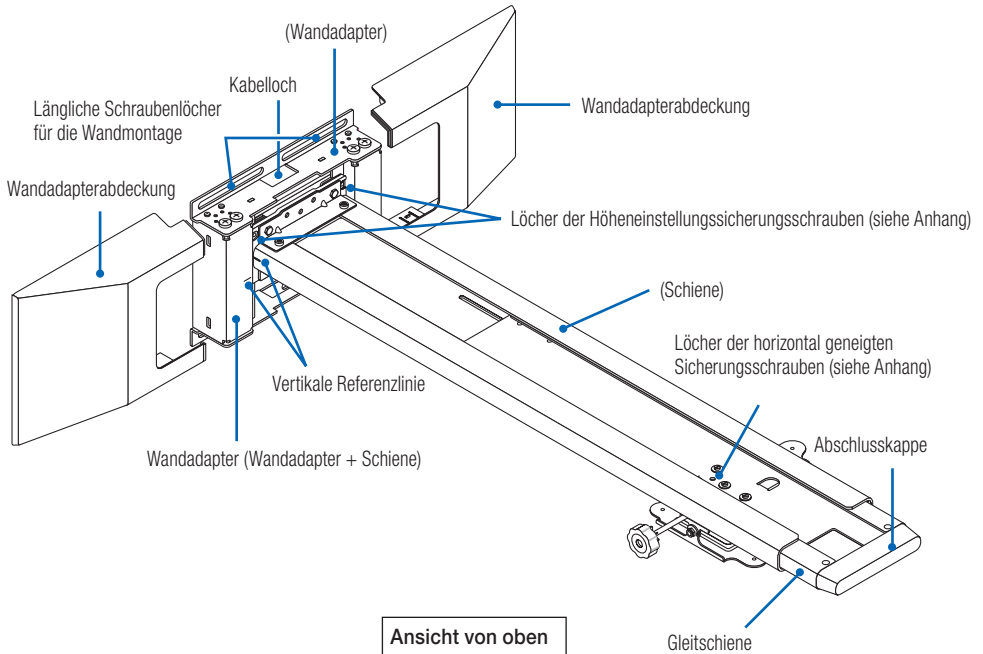
Diese bietet eine übersichtliche Beschreibung der Installation und der Einstellverfahren.

Installationsanleitung: 1

Das Installationsverfahren für die horizontal geneigten Sicherungsschrauben und die Höheneinstellungssicherungsschrauben finden Sie hier.



■ Bezeichnungen der Teile



Montage des Projektors

Vor der Montage

1. Wählen Sie den Ort, an dem die Projektionsfläche aufgestellt werden soll, und bestimmen Sie die Position, in der die Wandhalterung montiert werden soll. (Beziehen Sie sich auf die Installationskurzanleitung)
 - Es ist nicht möglich, die Installation so vorzunehmen, dass das Bild in einem Winkel projiziert wird. Wählen Sie eine Position, bei der das Bild direkt nach vorne projiziert werden kann.
2. Überprüfen Sie, ob die Aufstellungsposition den Bedingungen entspricht, die im Abschnitt „Vor der Installation unbedingt lesen“ auf Seite GER-2 dieser Anleitung genannt werden.
 - Da der Höhenwinkel der optischen Achse des Projektors groß ist, haben selbst kleine Änderungen des Projektionsabstands erhebliche Auswirkung auf die Größe und Position des projizierten Bildes. Wenn außerdem die Projektionsrichtung des Projektors falsch eingestellt ist, treten verstärkt Bildverzerrungen auf.

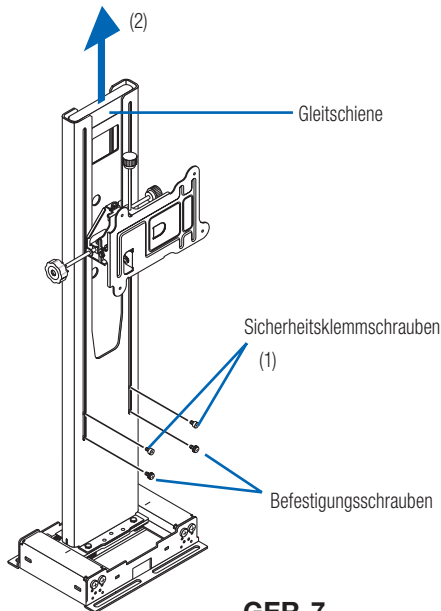
Vorbereitungen:

1. Halten Sie einen Kreuzschlitzschraubendreher (magnetisch) und den mitgelieferten Sechskantschlüssel bereit.
2. Entfernen Sie die Kabelabdeckung des Projektors. Weitere Informationen hierzu finden Sie in der entsprechenden Bedienungsanleitung.

1. Bauen Sie die Gleitschiene aus.

Wandadapter und Gleitschiene sind bei der Auslieferung zusammengebaut.

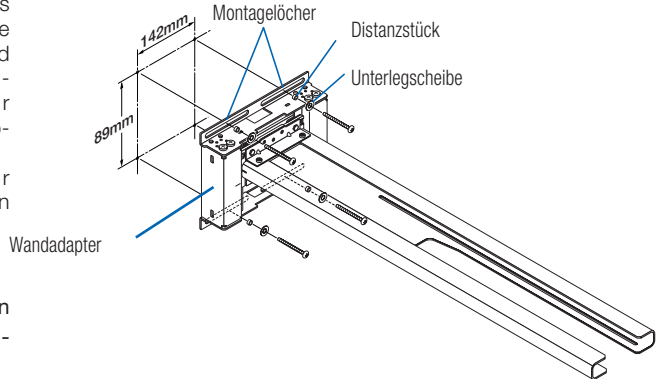
- (1) Entfernen Sie die zwei Befestigungsschrauben und die zwei Sicherheitsklemmschrauben.
- (2) Ziehen Sie die Gleitschiene ab.



2. Befestigen Sie den Wandadapter an tragender Wandsubstanz.

Verwenden Sie die mitgelieferten Unterlegscheiben und Distanzstücke, um den Wandadapter mit den M6-Schrauben (oder Bolzen) zu befestigen.

- Beziehen Sie sich bitte auf den Anhang „Installationskurzanleitung“ und GER-6 der „Abmessungen der Teile“ für die Wandmontageposition und die Abmessungen.
- Stellen Sie sicher, dass Sie die Schrauben in der Mitte der Schraubenlöcher festziehen, da sie als Referenzpunkte für die horizontale Position dienen.
- Der Wandadapter muss mit der richtigen Seite nach obenweisend montiert werden. Montieren Sie ihn in der Richtung, die in der Abbildung dargestellt ist.
- Der Einstellbereich für die horizontale Position beträgt ± 50 mm.



VORSICHT

- Die Montage sollte von zwei Personen ausgeführt werden.



WARNUNG



- Verwenden Sie unbedingt M6-Schrauben (1/4 Zoll) oder Bolzen (4 Stellen), um die Unterseite des Wandadapters zu befestigen. Wenn andere als M6-Schrauben (oder Bolzen) verwendet werden, könnte dies zum Herunterfallen des Projektors und zu Verletzungen führen.

3. Bringen Sie den Projektor an der Halterungsplatte an.

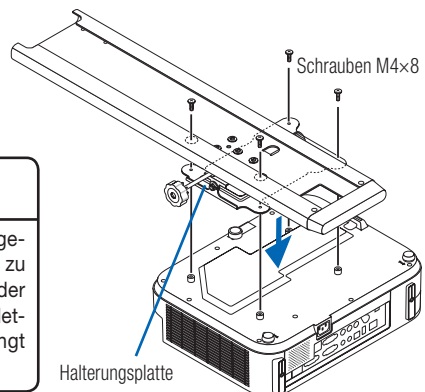
Richten Sie die Schraubenlöcher in der Halterungsplatte mit den Schraubenlöchern an der Unterseite des Projektors aus und ziehen Sie die vier mitgelieferten Schrauben der Größe M4x8 sicher fest.

- Legen Sie ein dickes, weiches Tuch o. Ä. auf den Boden, um den Projektor vor Kratzern zu schützen.

Hinweis: „MAX.M4 x 8“ ist an den vier Schraubenlöchern an der Unterseite des Projektors angegeben. Beachten Sie, dass diese Angabe sich nicht auf den Projektoradapter dieses Produktes bezieht.

VORSICHT

- Achten Sie bei der Montage des Projektors darauf, nicht das Projektionsfenster des Projektors zu berühren.

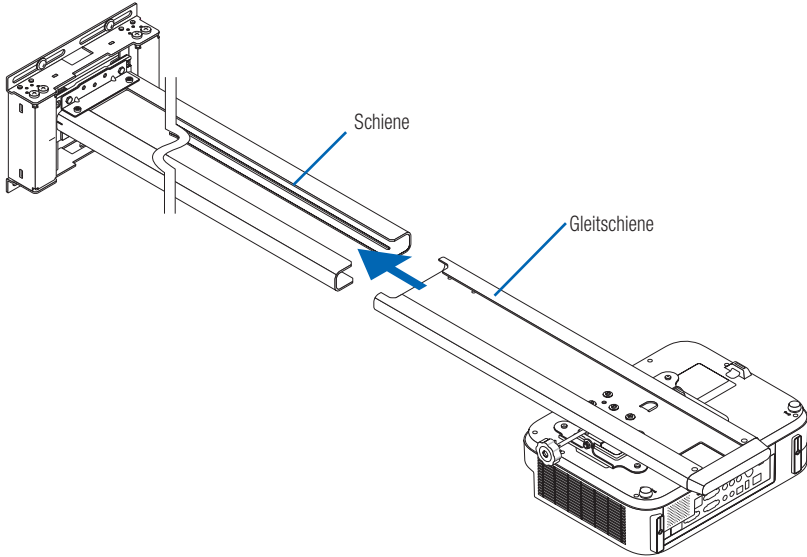


WARNUNG



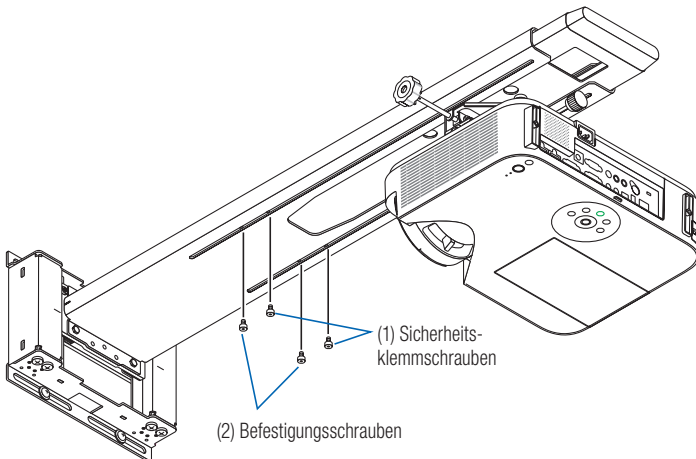
- Wenn der Projektor mit anderen als den mitgelieferten Schrauben befestigt wird, kann dies zu einer Beschädigung des Projektors führen oder bewirken, dass dieser herunterfällt und Verletzungen verursacht. Verwenden Sie unbedingt die mitgelieferten Schrauben.

4. Setzen Sie die Gleitschiene in das Schienengestell ein.



5. Setzen Sie die Sicherheitsklemmschrauben und die Befestigungsschrauben auf.

- (1) Verwenden Sie den mitgelieferten Sechskantschlüssel, um die zwei Sicherheitsklemmschrauben sicher festzuziehen.
- (2) Lassen Sie die zwei Befestigungsschrauben noch gelöst. Ziehen Sie sie erst an, nachdem Sie Anpassungen vorgenommen haben.



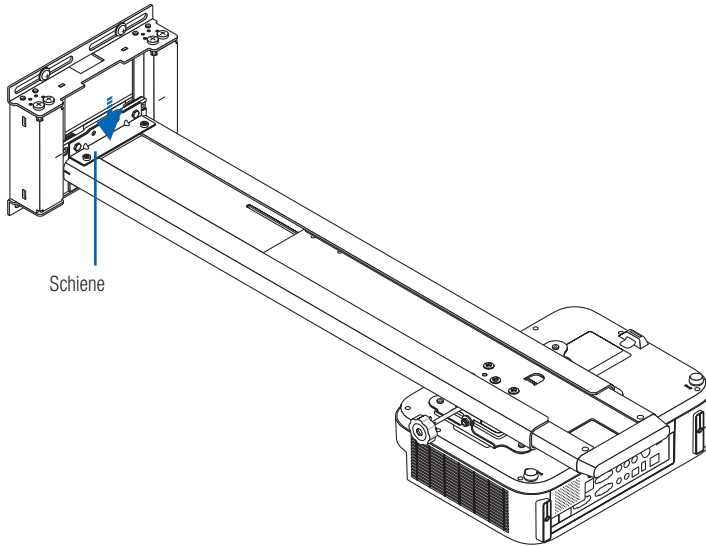
* Diese Abbildung zeigt die Ansicht von unten.

6. Stellen Sie die vertikale Anfangsposition der Schiene ein.

Bei der Auslieferung ab Werk ist die Schiene in die oberste Position gestellt.

Halten Sie die Basis des Arms fest und senken Sie ihn einmal ganz in die niedrigste Position.

Die Anfangseinstellung der vertikalen Schienenposition ist hiermit abgeschlossen.



WARNUNG

- Entfernen Sie die Sicherheitsklemmschrauben nur beim Zusammenbau. Wenn sie anderweitig entfernt werden, könnte sich die Gleitschiene ablösen und herunterfallen, was zu Verletzungen führen kann.
- Halten Sie die Schiene beim Absenken an ihrer Basis fest. Wenn die Schiene während des Absenkens an einer anderen Stelle festgehalten wird, könnte die Schiene beschädigt werden oder herunterfallen und Verletzungen verursachen.

7. Verkabelung

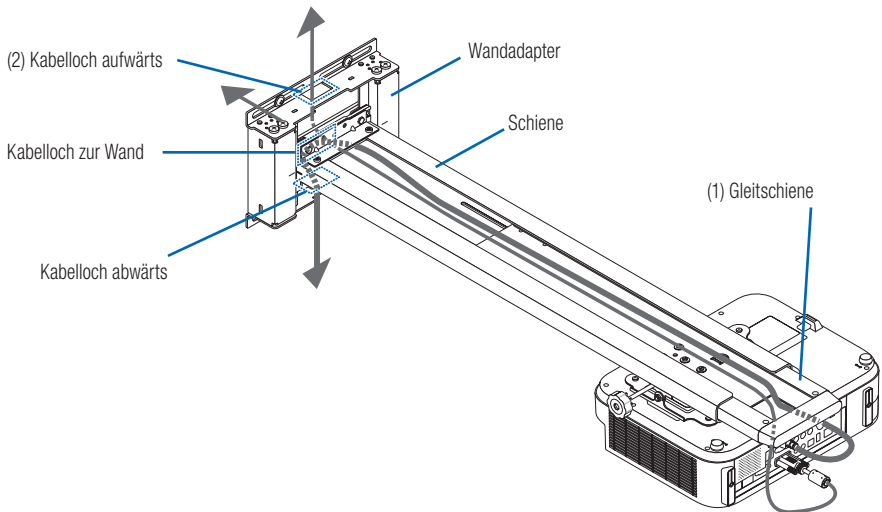
Netzkabel und Signalkabel können durch die Gleitschiene und den Wandadapter geführt werden. Es gibt ein Kabelloch in der Gleitschiene und drei Kabellöcher im Wandadapter (aufwärts, zur Wand und abwärts).

Wählen Sie die zu verwendenden Kabellöcher entsprechend den Bedingungen der Verkabelung.

- (1) Führen Sie die Kabel durch das Kabelloch in der Gleitschiene und anschließend zur Spitze der Schiene.
- (2) Führen Sie die Kabel durch das obere, untere oder mittlere Kabelloch im Wandadapter.

VORSICHT

- Sorgen Sie für eine ausreichende Kabellänge, damit die Gleitschiene eingestellt werden kann.
- Wenn mehrere Signalkabel vorhanden sind, binden Sie diese zusammen. Binden Sie sie jedoch nicht mit dem Netzkabel zusammen. Dies kann zu Impulsstörungen der Stromversorgung führen.



Die Installation des Projektors ist hiermit abgeschlossen.

Befestigen Sie die Kabelabdeckungen des Projektors und des Wandadapters, nachdem Sie das projizierte Bild eingestellt haben.

Einstellung bei Verzerrung des projizierten Bildes

■ Vor der Einstellung

Vorbereitung des Projektors

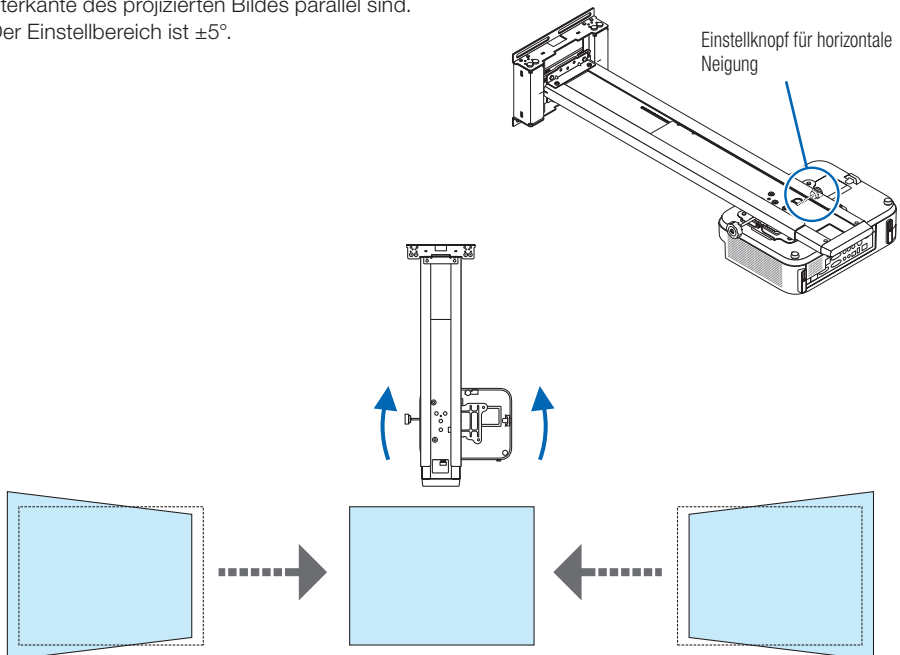
- Projizieren Sie ein Bild vom Projektor, bewegen Sie anschließend zunächst den Fokusing des Projektors, um die Bildschärfe des projizierten Bildes grob einzustellen. Anweisungen zur Projektion von Bildern finden Sie unter „Bildprojektion (Grundbetrieb)“ im Bedienungshandbuch (CD-ROM), das im Lieferumfang des Projektors enthalten ist.
- Wählen Sie unter „Installation“ oder „Einstellungen“ im Bildschirmmenü „Decke/Front“ als Projektionsart aus.
- Bei Projektoren mit einer Testbildfunktion wird die Einstellung durch das Anzeigen des Testbilds erleichtert.

Die Grafiken zeigen zu Erklärungszwecken die Änderungen des projizierten Bildes für jeweils eine einzelne Einstellung. Unter realen Bedingungen ist die Verzerrung jedoch komplex.

1. Stellen Sie die horizontale Ausrichtung des Projektors ein.

Drehen Sie den Einstellknopf für horizontale Neigung und stellen Sie ihn so ein, dass Ober- und Unterkante des projizierten Bildes parallel sind.

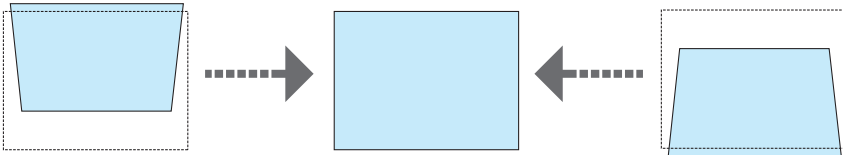
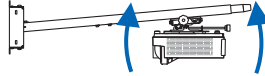
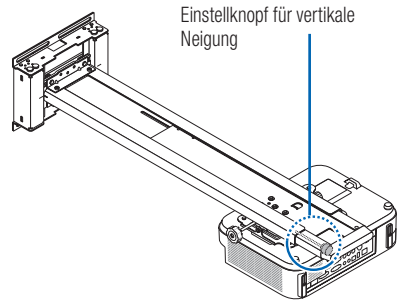
- Der Einstellbereich ist $\pm 5^\circ$.



2. Stellen Sie die vertikale Neigung des Projektors ein.

Drehen Sie den Einstellknopf für vertikale Neigung und stellen Sie ihn so ein, dass rechte und linke Kante des projizierten Bildes parallel sind.

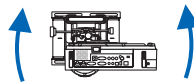
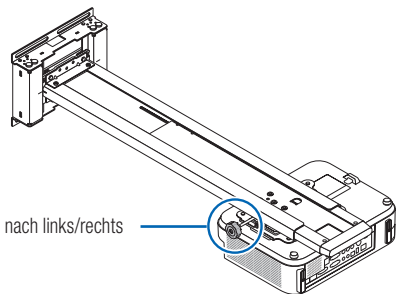
- Der Einstellbereich ist $\pm 5^\circ$.



3. Stellen Sie die Neigung des Projektors in Drehrichtung ein.

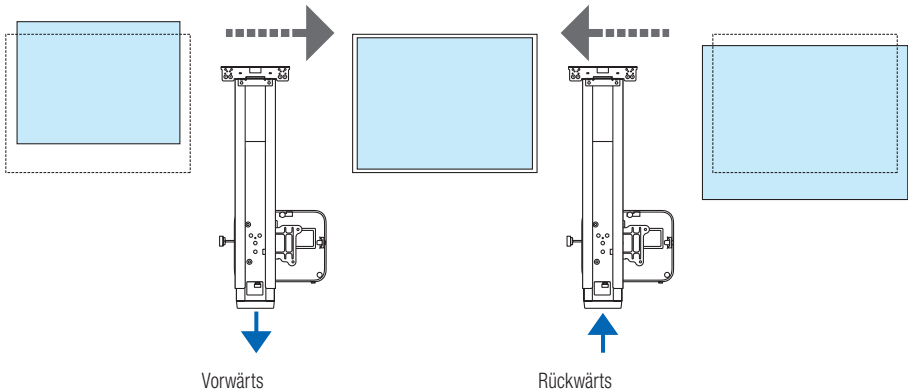
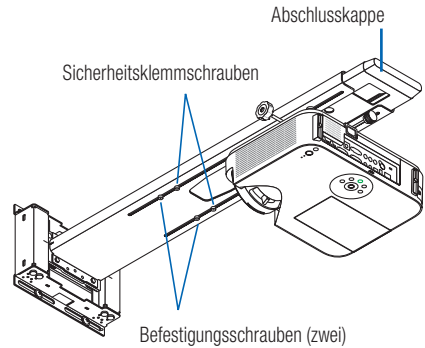
Drehen Sie den Einstellknopf für die Neigung nach links/rechts und stellen Sie ihn so ein, dass das Bild parallel zur Projektionsfläche liegt.

- Der Einstellbereich ist $\pm 5^\circ$.



4. Stellen Sie die Größe des projizierten Bildes ein.

- (1) Lösen Sie die zwei Befestigungsschrauben der Schiene.
- (2) Halten Sie die Abschlusskappe der Gleitschiene fest und bewegen Sie sie vor oder zurück, um das Bild über die gesamte Projektionsfläche zu projizieren.
 - Wenn die Installation unter Beachtung der Anweisungen im Abschnitt „Projektionsabstand und Größe der Projektionsfläche“ erfolgt ist, wird das Bild etwa auf die Mitte projiziert.
 - Die Gleitschiene verschiebt sich maximal 600 mm.
 - Berücksichtigen Sie, dass sich die eingestellte Position des projizierten Bildes mit der Zeit verändert, und nehmen Sie die Einstellung so vor, dass das projizierte Bild etwas (ca. 20 mm) kleiner als die Projektionsfläche ist.



WARNUNG

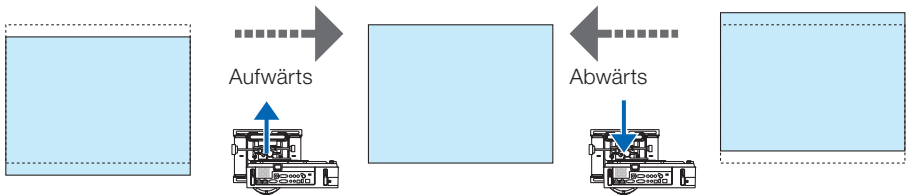
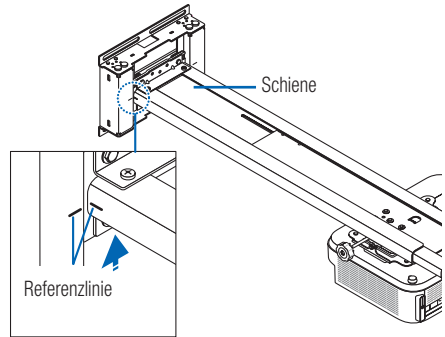
- Entfernen Sie die Sicherheitsklemmschrauben nur beim Zusammenbau. Wenn sie anderweitig entfernt werden, könnte sich die Gleitschiene ablösen und herunterfallen, was zu Verletzungen führen kann.

5. Stellen Sie in vertikaler Richtung ein.

Halten Sie die Basis des Arms fest und bewegen Sie ihn mit der Referenzlinie als Richtlinie nach oben. Stellen Sie das Projektionsbild so ein, dass es sich in der Mitte der Bildschirmoberfläche befindet.

* Wenn das projizierte Bild gegenüber der Projektionsfläche zu weit nach oben verschoben wird, lässt es sich einfacher einstellen, indem Sie zunächst die Basis der Schiene festhalten und die Schiene absenken und anschließend wieder nach oben bewegen.

- Beim Aufwärtsbewegen nutzt die Schiene die Federkraft, um die Last zu verringern.
- Der Einstellbereich ist ± 40 mm.



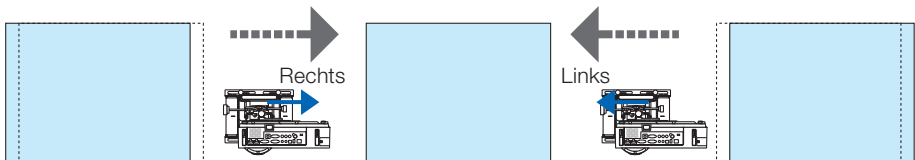
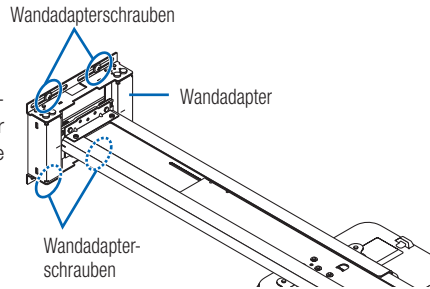
WARNUNG

- Halten Sie die Schiene beim Absenken an ihrer Basis fest. Wenn die Schiene während des Absenkens an einer anderen Stelle festgehalten wird, könnte die Schiene beschädigt werden oder herunterfallen und Verletzungen verursachen.

6. Stellen Sie in horizontaler Richtung ein.

Wenn das projizierte Bild zu einer Seite der Projektionsfläche verschoben ist, lösen Sie leicht die vier Schrauben des Wandadapters und verschieben Sie den Wandadapter, um die Position zu justieren.

- Der Einstellbereich ist ± 50 mm.



WARNUNG

- Lösen Sie die Schrauben nicht zu stark. Dadurch könnte die Halterung beschädigt werden oder herunterfallen, was zu Verletzungen führt.

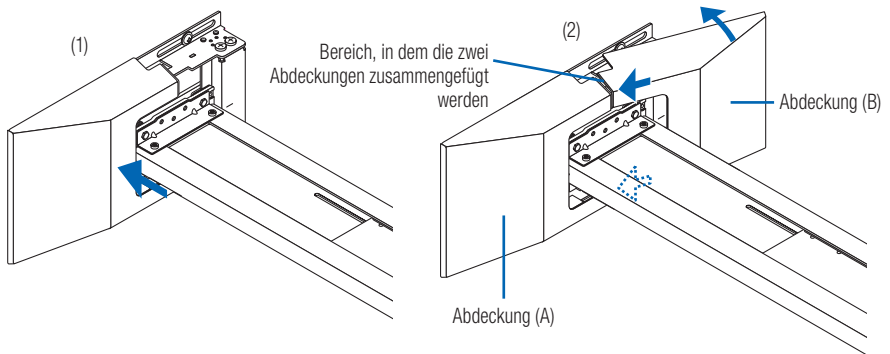
7. Sobald die Einstellungen abgeschlossen sind, ziehen Sie alle gelösten Schrauben sicher fest.

8. Bringen Sie die Abdeckungen am Wandadapter an.

Abdeckung (A) und Abdeckung (B) haben die gleiche Form.

Anbringen der Abdeckungen

- (1) Drücken Sie eine der Abdeckungen auf den Wandadapter.
 - Die vier Laschen auf der Rückseite der Abdeckung passen in die Einkerbungen am Wandadapter, sodass die Abdeckung einrastet.
- (2) Setzen Sie die Abdeckung (B) schräg an, drehen Sie sie anschließend und achten Sie dabei auf die Laschen.
 - Die vier Laschen auf der Rückseite der Abdeckung passen in die Einkerbungen am Wandadapter, sodass die Abdeckung einrastet.

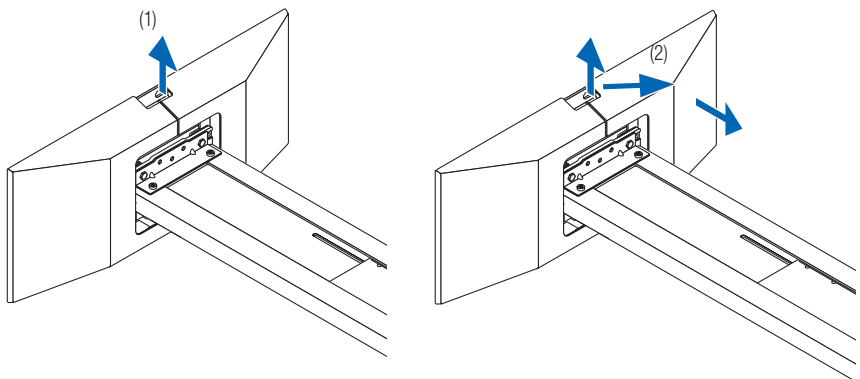


Abnehmen der Abdeckungen

- (1) Legen Sie einen Finger in die Öffnung oben an der Abdeckung und heben Sie sie anschließend leicht an, um die Laschen auszuhaken.
- (2) Ziehen Sie in diagonaler Richtung wie durch die Pfeile angezeigt, schieben Sie die Abdeckung anschließend zu sich heran, um sie abzunehmen. Entfernen Sie die andere Abdeckung nach dem gleichen Verfahren.

VORSICHT

- Ziehen Sie nicht gewaltsam, wenn die Laschen auf der Rückseite der Abdeckung nicht ausgehakt sind. Dadurch könnten die Laschen beschädigt werden.



9. Bringen Sie die Kabelabdeckung am Projektor an.

Für Anweisungen zum Anbringen der Abdeckung siehe das Bedienungshandbuch.



WARNUNG

- Das Netzkabel nicht mit den Kabeln zusammenbinden und unter die Kabelabdeckung legen. Dies könnte zu einem Brand führen.

Installation und Einstellung sind hiermit abgeschlossen.

Technische Daten

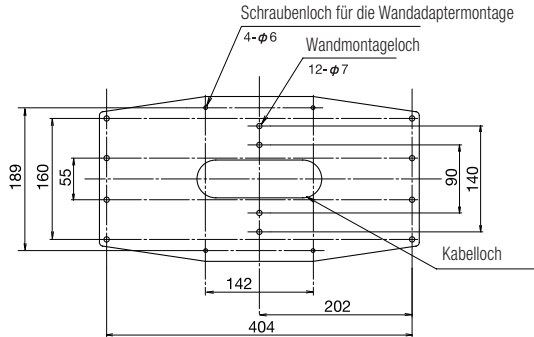
Produktname	: Wandhalterung
Modellbezeichnung	: NP05WK/NP05WK1
Einstellbare Winkel	: Vertikaler Winkel – $\pm 5^\circ$; Horizontaler Winkel – $\pm 5^\circ$; Neigungswinkel – $\pm 5^\circ$
Einstellbare Positionen	: Vorne/hinten – 422; Horizontal – ± 50 mm; Vertikal – ± 40 mm
Außenabmessungen	: 530 (B) x 942 (T) x 223 (H) mm (NP05WK1); 530 (B) x 945 (T) x 223 (H) mm
Gewicht	: Ca. 13,7 kg (NP05WK1: 15,5 kg)
Tragfähigkeit	: 5,0 kg

Diese technischen Daten und das Design können ohne vorherige Ankündigung geändert werden.

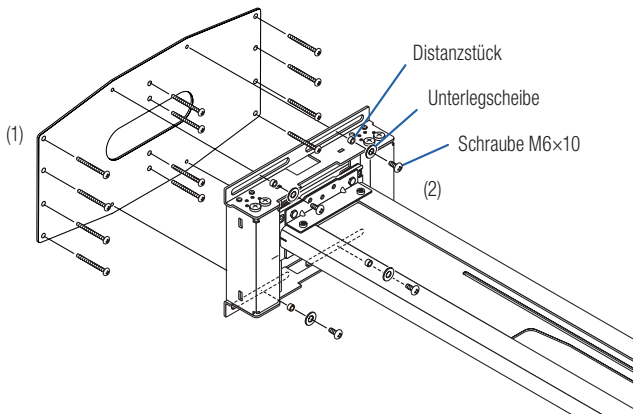
Verwendung der Wandplatte (nur NP05WK1)

Wenn der Wandadapter mithilfe der Wandplatte angebracht wird, bohren Sie an den unten angegebenen Positionen 16 Löcher in die Wand. Bohren Sie Löcher mit passender Tiefe und passendem Durchmesser für die zu verwendenden Schrauben.

Maßblatt für Schraubenpositionen (Einheit: mm)



- (1) Bringen Sie die mitgelieferte Wandplatte an einem vertikalen Träger in der Wand mithilfe von Schrauben (oder Bolzen) an (an 12 Stellen).
- (2) Befestigen Sie den Wandadapter mit den beiliegenden Schrauben (M6x10), Distanzstücken und Unterlegscheiben (4 Stellen) sicher an der Wandplatte. Für Vorsichtshinweise usw. siehe Seite GER-8.



NP05WK/NP05WK1 Guide d'Installation et de Réglage

Nous vous remercions d'avoir acheté ce support mural NEC.

Merci de bien vouloir lire ce guide d'installation et de réglage attentivement pour garantir une utilisation correcte.

Pour obtenir une liste des projecteurs supportés, veuillez vous reporter au site NEC ou au catalogue NEC.

Les illustrations du projecteur figurant dans ce manuel d'instructions d'installation et de réglage sont uniquement à titre d'illustration et peuvent différer de l'esthétique du projecteur qui doit être installé.



Des compétences spécifiques sont nécessaires pour installer le support mural. Ce travail ne doit jamais être réalisé par le client.



Message au Revendeur et à l'Installateur

Pour garantir la sécurité du client, nous vous demandons de ne commencer les travaux d'installation qu'après avoir vérifié attentivement la solidité de l'endroit où sera fixé le support, pour vous assurer qu'il sera capable de supporter le poids du projecteur et du matériel de fixation.



TABLE DES MATIÈRES

Merci de tenir compte de ce qui suit	FRA-2
Introduction	FRA-4
Pièces emballées	FRA-4
Noms des pièces	FRA-5
Dimensions des pièces	FRA-6
Installation du projecteur	FRA-7
Réglage de la déformation de l'image projetée	FRA-12
Spécifications	FRA-18







Merci de tenir compte de ce qui suit

● Symbole




Dans ce « Guide d'Installation et de Réglage », nous utilisons divers symboles pour vous permettre d'utiliser le produit correctement et en toute sécurité, pour éviter de vous blesser et de blesser d'autres personnes et pour éviter tous dégâts matériels. Vous trouverez ci-dessous les symboles et leur signification. Merci de lire ce guide après en avoir bien compris le contenu.

 Avertissement	Une mauvaise manipulation et le non respect de cette consigne risquent de provoquer des lésions corporelles, pouvant entraîner la mort ou causer des blessures très graves, etc.
 Attention	Une mauvaise manipulation et le non respect de cette consigne risquent de provoquer des blessures corporelles et des dégâts matériels aux alentours.

Exemples de symboles :

	 Ce symbole vous invite à faire attention (avertissements inclus) Les mises en garde spécifiques sont expliquées au moyen de figures.
	 Ce symbole indique des actions interdites Les interdictions spécifiques sont expliquées au moyen de figures.
	 Ce symbole indique des actions obligatoires. Les consignes spécifiques sont expliquées au moyen de figures.

Avertissement

-  • Quand vous installez le projecteur et quand vous réglez la position de projection, assurez-vous de suivre les consignes de ce manuel. Le projecteur risque de tomber et de blesser quelqu'un s'il est mal installé ou mal réglé.
-  • Pour éviter toute chute du projecteur, installez-le et fixez-le à un endroit suffisamment solide pour résister au poids total du projecteur et du support mural pour une période prolongée, et pour qu'il puisse résister aux tremblements de terre. Si le mur n'est pas assez solide ou si le projecteur est mal fixé, ce dernier risque de tomber et de provoquer des blessures.
Assurez-vous de bien respecter les précautions suivantes :
 - Utilisez des boulons et des vis de fixation murale M6 (1/4 pouce) pour l'adaptateur mural.
 - Utilisez une prise de courant comme source d'alimentation électrique du projecteur. Ne vous connectez pas directement sur la ligne de la lampe, car cela serait dangereux. De plus, utilisez une prise de courant accessible pour pouvoir brancher et débrancher le câble d'alimentation.
 - Montage sur un mur en bois
Assurez-vous que la charge soit fixée sur un pilier ou sur un élément de construction robuste. Si la solidité de l'élément de construction et du reste n'est pas assez grande, merci de renforcer le tout. Ne pas fixer sur des matériaux de parement des murs, sur des fourrures en bois, ainsi de suite.
 - Montage sur un mur en béton
Utilisez un boulon d'ancrage M6 (1/4 pouce) et des écrous-rivets du commerce ou équivalent, capables de supporter le poids du projecteur.
-  • Ne pas installer dans des endroits sujets à des vibrations constantes. Des vibrations prolongées risqueraient de desserrer les vis, ce qui pourrait entraîner la chute du support mural et du projecteur, et donc provoquer des blessures. Cela risquerait également d'endommager le projecteur.

Avertissement



• Pour garantir la sécurité, assurez-vous de bien serrer les boulons, les vis et les vis à cran de sécurité. Sinon, le projecteur risque de tomber et de provoquer des blessures.



• Ne modifiez aucune pièce. Le projecteur et le support mural risqueraient alors de tomber et de provoquer des blessures.



• N'utilisez pas de pièces cassées. Le projecteur et le support mural risqueraient de tomber et de provoquer des blessures. Si une pièce est cassée, contactez votre revendeur.



• Ne regardez pas dans le la fenêtrée de projection, le miroir ou la lentille quand le projecteur est allumé. Vous risqueriez d'abîmer vos yeux.



• Ne vous suspendez pas au projecteur et au support mural. Le projecteur et le support mural risqueraient alors de tomber et de provoquer des blessures. Soyez particulièrement attentif avec les enfants.



• N'utilisez pas de ruban adhésif sur les vis de blocage, de lubrifiant, d'huile, etc. sur l'adaptateur mural. Les matériaux de l'adaptateur mural risqueraient alors de se détériorer et le projecteur pourrait tomber et provoquer des blessures.



• N'accrochez jamais rien au bras de l'unité de montage mural.

Le bras risque de casser, de tomber et de causer des blessures.



• Assurez-vous de maintenir la base du bras avant d'effectuer le réglage lorsque vous abaissez le bras. Le bras risque de casser, de tomber et de provoquer des blessures s'il n'est pas maintenu à la base pendant le réglage.

Attention



• Ne bouchez pas les sorties d'aération du projecteur. Cela empêcherait la chaleur de se dissiper, et il y aurait alors un risque d'incendie. En particulier, n'utilisez pas le projecteur de la façon suivante : n'installez pas le projecteur à un endroit, mur ou autre, où il y a une mauvaise ventilation, et ne le couvrez pas, etc.



• N'installez pas le projecteur juste devant les sorties d'air d'un climatiseur ou d'un chauffage, ou à un endroit exposé à des vibrations importantes. Cela risquerait de provoquer un incendie ou des décharges électriques.



• N'installez pas le projecteur dans des endroits humides, poussiéreux ou exposés à des fumées grasses ou à de la vapeur (comme près d'un appareil de cuisson ou d'un humidificateur). Cela risquerait de provoquer un incendie.



• Lors de l'installation du projecteur, laissez suffisamment de place entre celui-ci et les objets qui l'entourent. Sinon, la chaleur ne pourra pas se dissiper et il risquerait d'y avoir un d'incendie.

Merci de bien vouloir:

- Veuillez éviter les pièces avec beaucoup de fumée de cigarette et de suie causée par des lampes, ainsi qu'avec de la poussière et de l'humidité.
La saleté risque de se fixer sur les pièces optiques telles que l'objectif et de provoquer une moins bonne qualité de l'image.
- Éviter les endroits où l'écran serait exposé à la lumière directe du soleil ou d'une lampe.
Lorsque la lumière environnante se reflète directement sur l'écran, l'image semble délavée et il est difficile de la voir.
- Éviter les endroits qui sont exposés à des températures particulièrement hautes ou basses.
Cela risquerait de provoquer une panne. (Pour connaître la température de fonctionnement ambiante, se reporter au guide utilisateur fourni avec le projecteur.)

Introduction

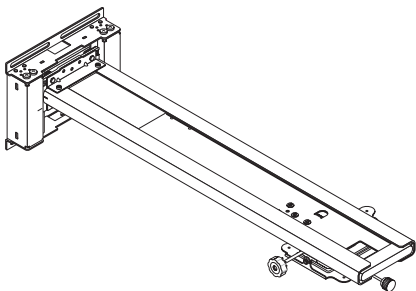
■ Pièces emballées

Vérifier que les éléments suivants sont inclus dans l'emballage.

Adaptateur mural : 1 kit

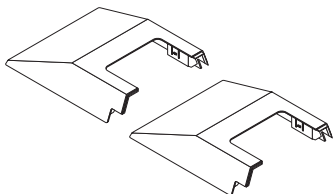
Bras coulissant : 1 kit

L'adaptateur mural et le bras coulissant sont assemblés lors de l'expédition.



Caches de l'adaptateur mural : 2

Ce sont des caches pour l'adaptateur mural. Les deux caches sont les mêmes.



Vis M4x8 mm : 4

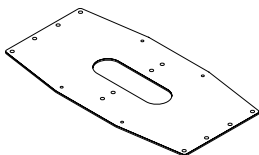
Elles sont utilisées pour fixer le projecteur.



Plaque murale : 1

Cela sert à fixer l'adaptateur mural dans la région nord-américaine.

* Pour les boulons ou les vis pour fixer l'adaptateur mural au mur, utilisez des vis ou des boulons qui sont adaptés à la surface du mur.



Vis M6x10 mm : 4

Elles sont utilisées pour fixer la plaque murale à l'unité murale.



Vis de fixation inclinée horizontalement (A) : 1 unité

Rondelle à ressort (B) : 1 unité

Rondelle (C) : 1 unité

Pour les personnes qui veulent fixer l'inclinaison horizontale de l'écran

après le réglage. Veuillez vous reporter au guide d'installation pour la méthode d'installation.



Rondelles : 4

Entretoises : 4

Elles sont utilisées pour fixer l'adaptateur mural au mur.

* Pour les boulons ou les vis pour fixer l'adaptateur mural au mur, utilisez des vis ou des boulons qui sont adaptés à la surface du mur.



Vis de fixation de réglage de la hauteur (D) : 2 unités

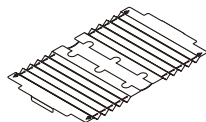
Pour les personnes qui souhaitent fixer la hauteur du bras après le réglage. Veuillez vous référer à l'arrière du guide d'installation pour la méthode d'installation.

Clé hexagonale : 1

Il s'agit d'une clé pour serrer les vis à cran de sécurité.

Rideau de l'angle mort : 1 pièce

Pour les personnes qui souhaitent dissimuler la base du bras. Veuillez vous reporter à la dernière page du guide d'installation rapide pour la méthode d'installation.



Précautions d'installation : 1

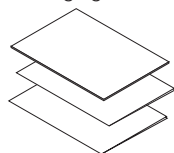
Elles comprennent des précautions de sécurité relatives à l'installation de l'unité murale, une liste des pièces fournies et les spécifications.

Guide d'installation rapide : 1

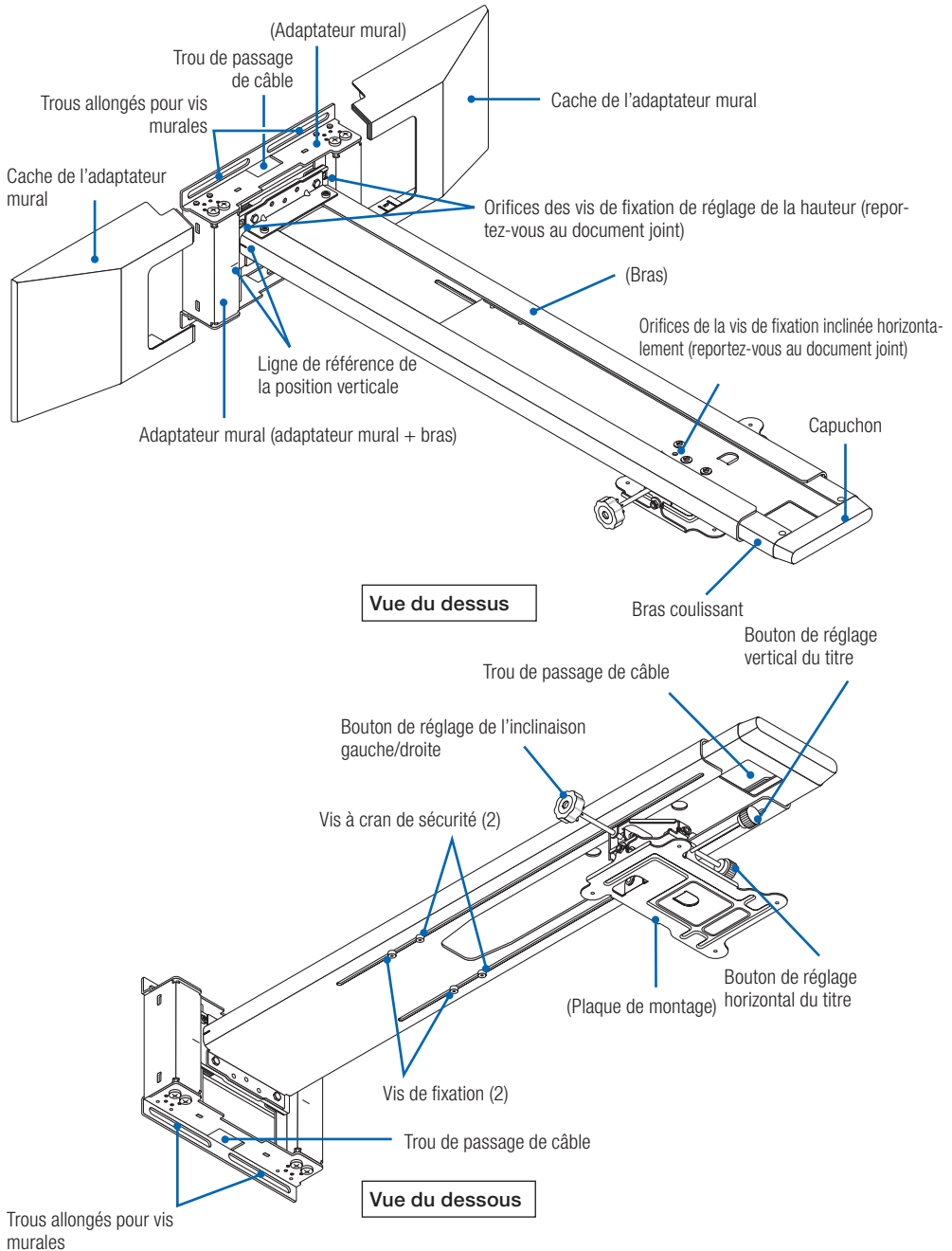
Cela fournit une description simple de l'installation et des procédures de réglage.

Guide d'installation : 1

La méthode d'installation de la vis de fixation inclinée horizontalement et des vis de fixation de réglage de la hauteur est présentée ici.



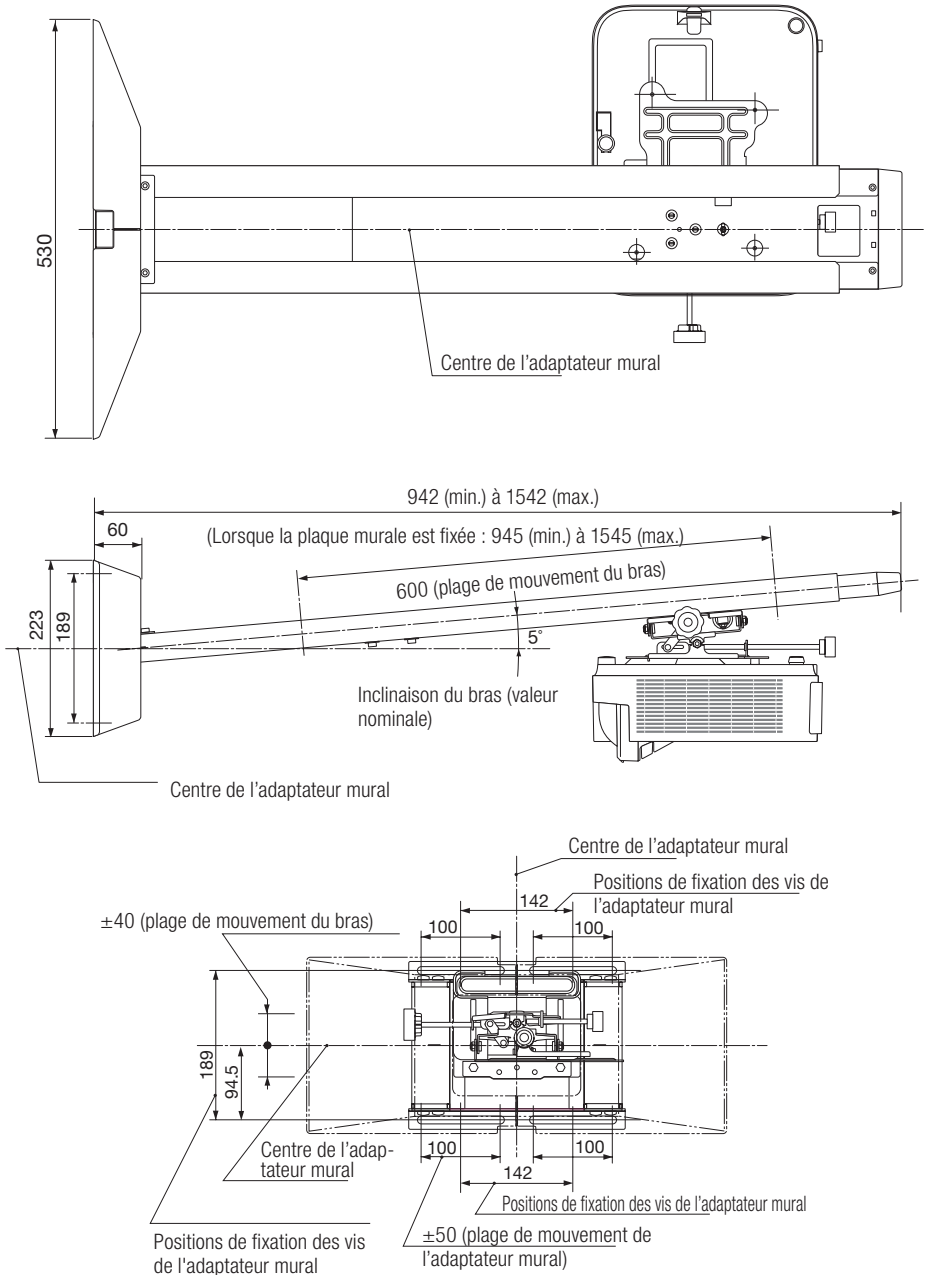
Noms des pièces



■ Dimensions des pièces

Ce qui suit montre une vue externe de l'unité murale, les positions des vis de fixation de l'adaptateur mural et la quantité de mouvement lors de la fixation du projecteur.

Unités: mm



Installation du projecteur

Avant l'installation

1. Considérez l'endroit où l'écran va être installé et déterminez la position dans laquelle l'unité murale doit être montée. (Reportez-vous au guide d'installation rapide)

- Il n'est pas possible d'installer de façon à ce que l'image soit projetée de biais. Positionnez l'appareil de sorte que l'image soit pointée directement vers l'avant.

2. Vérifiez que la position d'installation réponde aux conditions dans « À lire avant d'installer » à la page FRA-2 de ces instructions.

- En raison de l'importance de l'angle d'élévation de l'axe optique du projecteur, de petits décalages dans la distance de projection changeront la taille et la position de l'image projetée de manière significative. En outre, si la direction vers laquelle le projecteur est tournée est éloignée, la distorsion de l'image augmente.

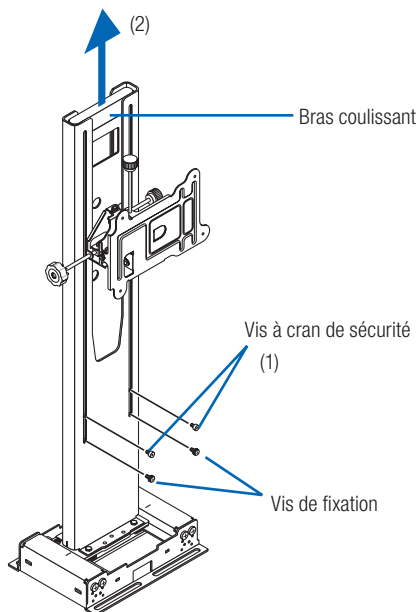
Préparations :

1. Préparez un tournevis cruciforme (magnétique) et la clé hexagonale fournie.
2. Retirez le cache des câbles du projecteur. Pour obtenir des instructions, voir le mode d'emploi correspondant.

1. Retirer le bras coulissant.

L'adaptateur mural et le bras coulissant sont assemblés lors de l'expédition.

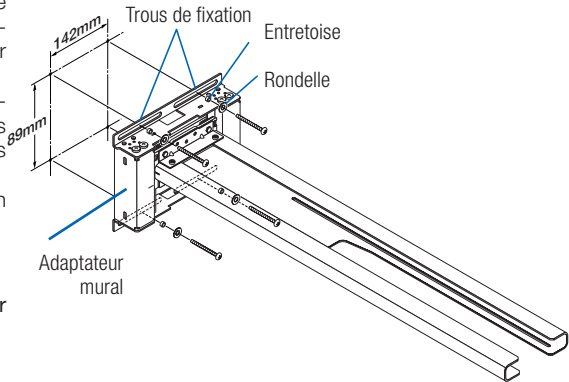
- (1) Retirez les deux vis de fixation et les deux vis à cran de sécurité.
- (2) Tirez le bras coulissant.



2. Fixez l'adaptateur mural au matériau de structure du mur.

Utilisez les rondelles et les entretoises fournies pour fixer l'adaptateur mural avec les vis M6 (ou boulons).

- Veuillez vous reporter à l'annexe « Guide d'installation rapide » et à FRA-6 dans « Dimensions des pièces » pour la position d'installation murale et les dimensions.
- Veuillez à serrer les vis au centre des trous de fixation, car ils serviront de points de référence pour la position horizontale.
- L'adaptateur mural doit être installé dans la bonne direction vers le haut/bas. Monter dans le sens indiqué sur le schéma.
- La plage de réglage de la position horizontale est de ± 50 mm.



ATTENTION

- La fixation doit être réalisée par deux personnes.



ATTENTION



- Assurez-vous d'utiliser des vis M6 (1/4 pouce) ou des boulons (4 emplacements) pour fixer la partie inférieure de l'adaptateur mural. Utiliser autre chose que des vis M6 (ou des boulons) pourrait conduire à la chute du projecteur et provoquer des blessures.

3. Fixez le projecteur sur la plaque de montage.

Alignez les trous de vis de la plaque de montage avec les trous de vis situés sur la partie inférieure du projecteur et serrez fermement les quatre vis M4x8 incluses.

- Placer un chiffon doux, épais, etc., sur le sol afin de protéger le projecteur contre les rayures.

Remarque : «MAX.M4 x 8» est indiqué sur les quatre trous de vis en dessous du projecteur. Note that this indication is not for this product's projector adapter. Remarquez que cette indication ne concerne pas l'adaptateur du projecteur de ce produit.

ATTENTION

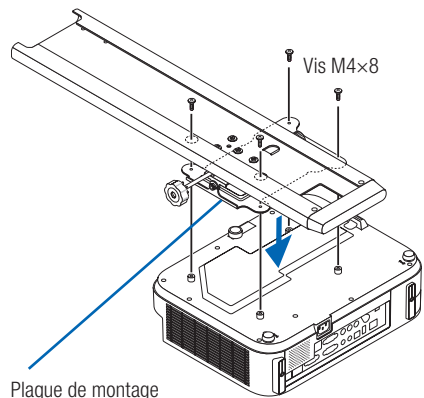
- Prenez garde à ne pas toucher la fenêtre de projection du projecteur lors de la fixation du projecteur.



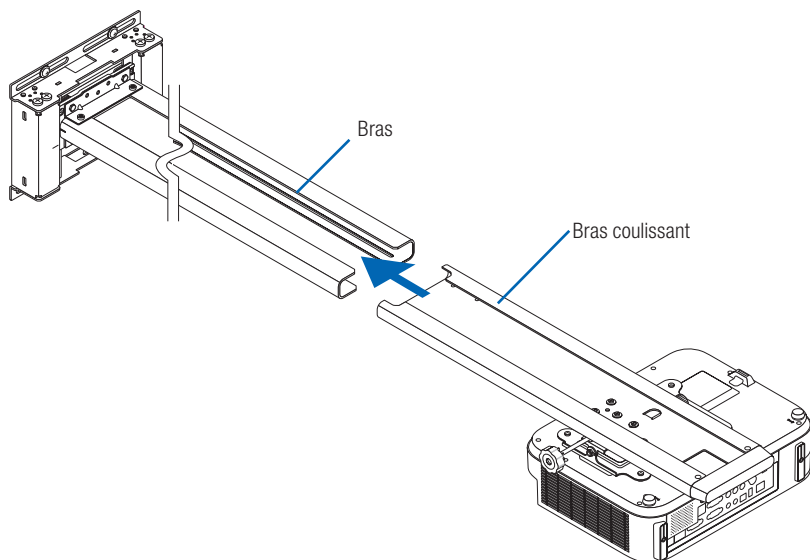
AVERTISSEMENT



- La fixation du projecteur à l'aide de vis autres que celles fournies pourrait endommager le projecteur ou risquer de le faire tomber et de provoquer des blessures. Assurez-vous d'utiliser les vis fournies.

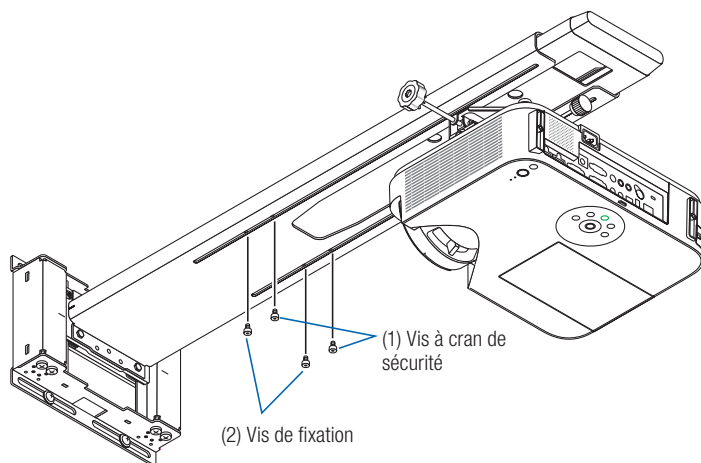


4. Insérez le bras coulissant dans le bras.



5. Fixez les vis à cran de sécurité et les vis de fixation.

- (1) Utilisez la clé hexagonale fournie pour serrer fortement les vis à cran de sécurité.
- (2) Laissez les deux vis de fixation desserrées. Resserrer après que les réglages sont effectués.



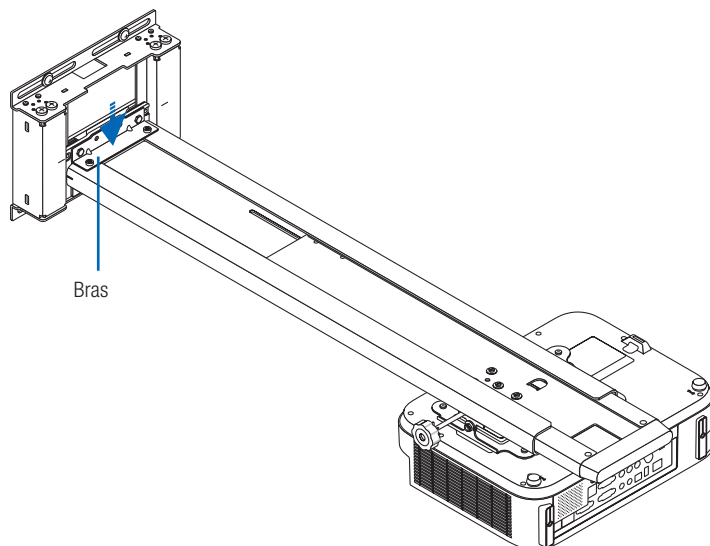
* Ce schéma est vu comme en dessous.

6. Effectuez les réglages initiaux de la position verticale du bras de l'appareil.

Lors de l'expédition de l'usine, le bras est réglé sur la position la plus haute.

Maintenez la base du bras et abaissez-le à fond vers le bas une fois.

Ceci termine le réglage initial de la position verticale du bras.



AVERTISSEMENT

- Ne retirez les vis à cran de sécurité que pour le montage. Faire cela pourrait faire glisser et tomber le bras coulissant, provoquant des blessures.
- Lors de l'abaissement du bras pendant les réglages, assurez-vous de le tenir à sa base. S'il est tenu à n'importe quel autre endroit lors des réglages, le bras pourrait être endommagé ou tomber, provoquant des blessures.

7. Câblage

Le cordon d'alimentation et le(s) câble(s) de signal peuvent être passés à travers le bras coulissant et l'adaptateur mural.

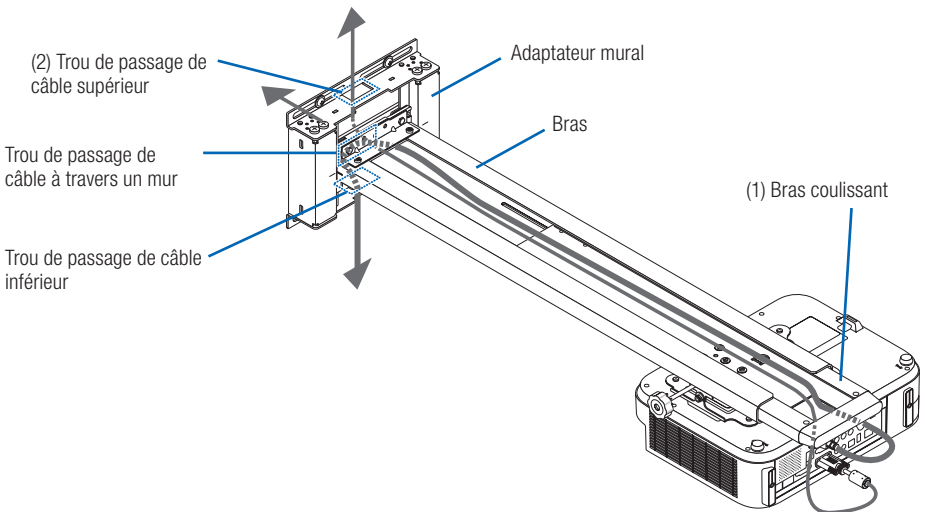
Il y a un trou pour câble dans le bras coulissant et trois dans l'adaptateur mural (vers le haut, à travers le mur et vers le bas).

Sélectionnez les trous de passage de câble qui doivent être utilisés conformément aux conditions de câblage.

- (1) Faites passer les câbles par le trou pour câble dans le bras coulissant puis dans l'extrémité du bras.
- (2) Faites passer les câbles par les trous pour câble supérieur, inférieur ou intermédiaire dans l'adaptateur mural.

ATTENTION

- Fournissez suffisamment de longueur de câble pour permettre le réglage du bras coulissant.
- Lorsqu'il y a plusieurs câbles de signal, attachez-les ensemble. Cependant, ne les attachez pas ensemble avec le cordon d'alimentation. Cela pourrait provoquer une interférence de bruit d'alimentation.



Cela termine l'installation du projecteur.

Fixez les caches des câbles du projecteur et de l'adaptateur mural après l'ajustement de l'image projetée.

Réglage de la déformation de l'image projetée

■ Avant le réglage

Préparation du projecteur

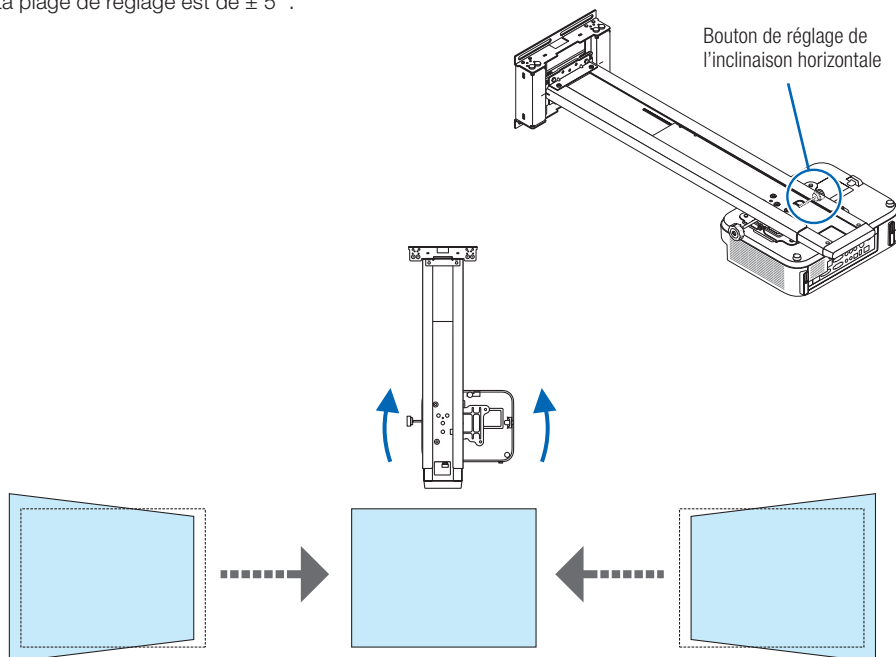
- Projetez une image à partir du projecteur, puis bougez tout d'abord la bague de mise au point du projecteur pour effectuer un réglage approximatif de l'image projetée.
Pour obtenir des instructions sur la projection d'images, reportez-vous à «Projection d'une image (fonctionnement élémentaire)» du mode d'emploi (CD-ROM) fourni avec le projecteur.
- Dans « Installation » ou « Réglages » dans le menu à l'écran, sélectionnez « Plafond/Devant » pour la méthode de projection.
- Pour les projecteurs équipés de mires de test, le réglage est facilité par la projection de la mire de test.

Les schémas descriptifs indiquent les changements dans l'image projetée pour un réglage à la fois. Dans des circonstances réelles, la distorsion est composée.

1. Ajustez l'orientation du projecteur dans la direction horizontale.

Tourner le bouton de réglage de l'inclinaison horizontale et régler de manière à ce que les bords supérieurs et inférieurs de l'image projetée soient parallèles.

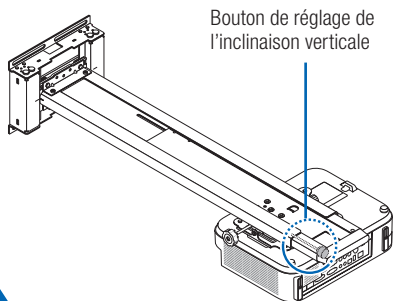
- La plage de réglage est de $\pm 5^\circ$.



2. Ajuster l'inclinaison du projecteur dans la direction verticale.

Tourner le bouton de réglage de l'inclinaison verticale et régler de manière à ce que le bord droit et le bord gauche de l'image projetée soient parallèles.

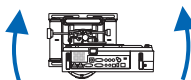
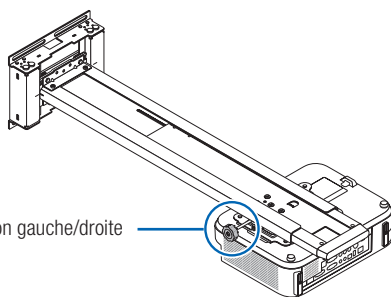
- La plage de réglage est de $\pm 5^\circ$.



3. Ajuster l'inclinaison du projecteur dans la direction de rotation.

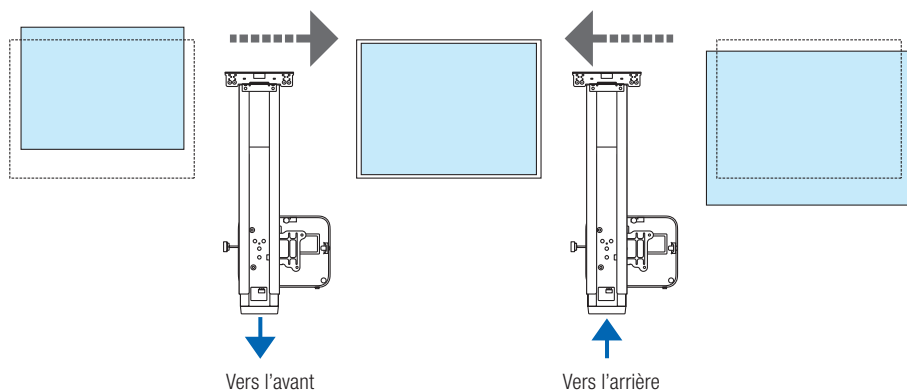
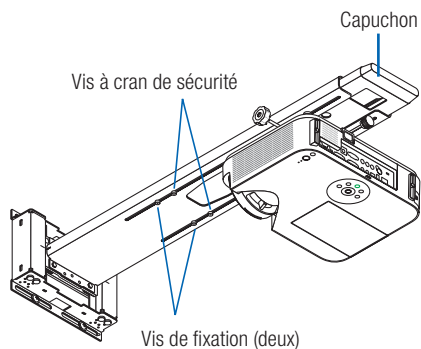
Tournez le bouton de réglage de l'inclinaison gauche/droite et ajustez de sorte que l'image soit parallèle à l'écran.

- La plage de réglage est de $\pm 5^\circ$.



4. Ajuster la taille de l'image projetée.

- (1) Desserrez les deux vis de fixation du bras.
- (2) Tout en tenant le capuchon du bras coulissant, déplacez vers l'avant ou vers l'arrière pour projeter l'image sur tout l'écran.
 - Lorsqu'il est installé en suivant les instructions dans la section « Distance de projection et taille de l'écran », l'image est projetée environ au centre.
 - Le bras coulissant se déplace de 600 mm au maximum.
 - En tenant compte des changements au fil du temps de la position à laquelle l'image projetée est ajustée, réglez de façon à ce que l'image soit légèrement (environ 20 mm) plus petite que l'écran.



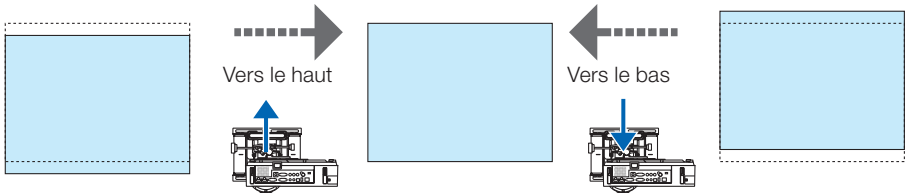
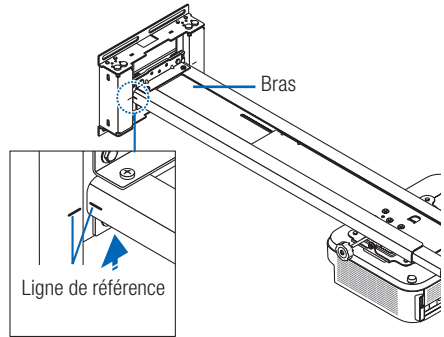
AVERTISSEMENT

- Ne retirez les vis à cran de sécurité que pour le montage. Faire cela pourrait faire glisser et tomber le bras coulissant, provoquant des blessures.

5. Ajuster dans le sens vertical.

Maintenez la base du bras et déplacez-le vers le haut avec la ligne de référence comme guide. Ajustez l'image de projection afin qu'elle soit au centre de la surface de l'écran.

- * Si l'image projetée se déplace trop loin vers le haut par rapport à la surface de l'écran, il est plus facile de régler en maintenant d'abord la base du bras et en abaissant le bras, puis en le déplaçant de nouveau vers le haut.
- Le bras utilise la force du ressort pour réduire la charge lors d'un déplacement vers le haut.
- La plage de réglage est de ± 40 mm.



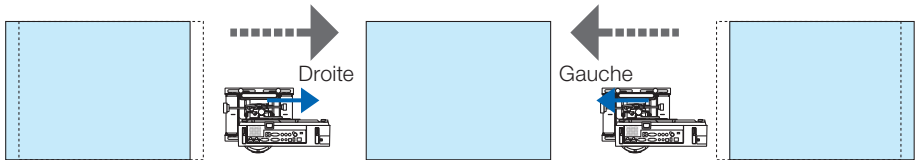
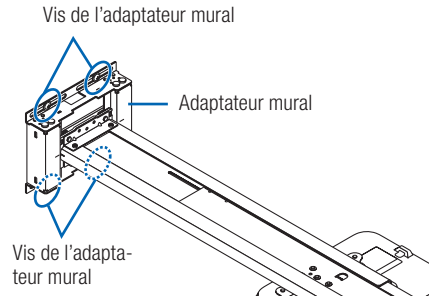
AVERTISSEMENT

- Lors de l'abaissement du bras pendant les réglages, assurez-vous de le tenir à sa base. S'il est tenu à n'importe quel autre endroit lors des réglages, le bras pourrait être endommagé ou tomber, provoquant des blessures.

6. Ajuster dans le sens horizontal.

Si l'image projetée est hors de l'écran pour l'un des côtés, desserrez légèrement les quatre vis de l'adaptateur mural, puis faites-le glisser pour ajuster.

- La plage de réglage est de ± 50 mm.



AVERTISSEMENT

- Ne pas trop desserrer les vis. Cela pourrait endommager l'adaptation ou provoquer la chute du produit, ce qui pourrait entraîner des blessures.

7. Une fois les réglages terminés, serrez fermement toutes les vis qui ont été desserrées.

8. Attachez les caches de l'adaptateur mural.

Les caches (A) et (B) ont la même forme.

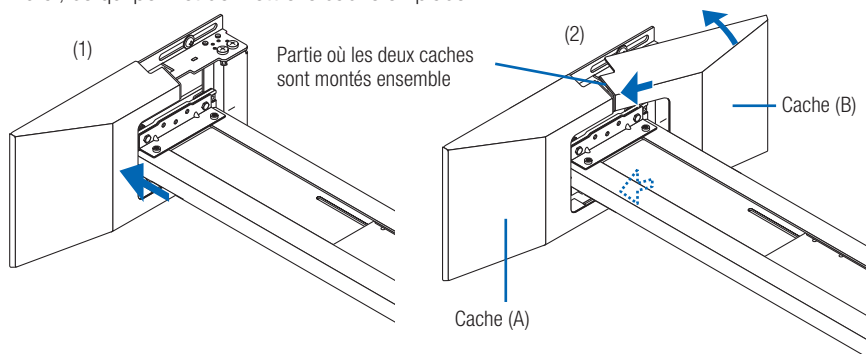
Fixation des caches

(1) Appuyez sur l'un des caches sur l'adaptateur mural.

- Les quatre languettes situées au dos du cache rentrent dans les encoches de l'adaptateur mural, ce qui permet de mettre le cache en place.

(2) Insérez le cache (B) avec un angle, puis procédez à sa rotation, en prêtant attention aux languettes.

- Les quatre languettes situées au dos du cache rentrent dans les encoches de l'adaptateur mural, ce qui permet de mettre le cache en place.



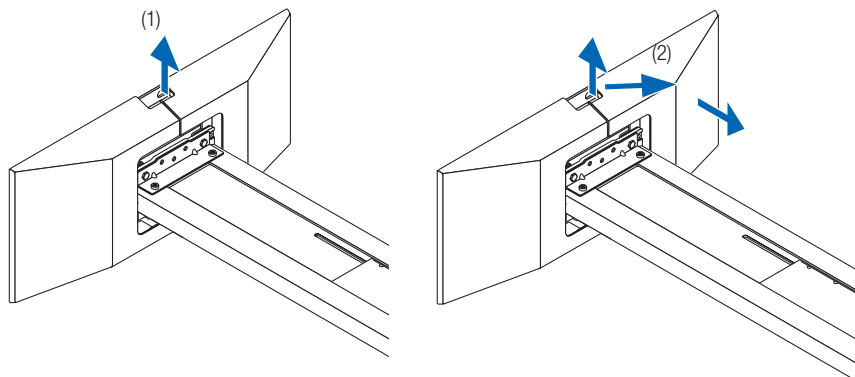
Retrait des caches

(1) Mettez un doigt dans l'orifice du dessus du cache, puis soulevez légèrement vers le haut pour décrocher les languettes.

(2) Tirez en diagonale dans la direction indiquée par les flèches, puis déplacez le cache vers vous pour le retirer. Retirez l'autre cache en utilisant la même procédure.

MISE EN GARDE

- Ne tirez pas de force si les languettes situées au dos du cache ne sont pas décrochées. Cela pourrait endommager les languettes.



9. Fixez le cache du câble au projecteur.

Pour savoir comment fixer le couvercle, reportez-vous au Mode d'emploi.



AVERTISSEMENT

- N'enroulez pas le câble d'alimentation avec les câbles et ne le placez pas sous le cache du câble. Cela pourrait provoquer un incendie.

Cela termine l'installation et le réglage.

Spécifications

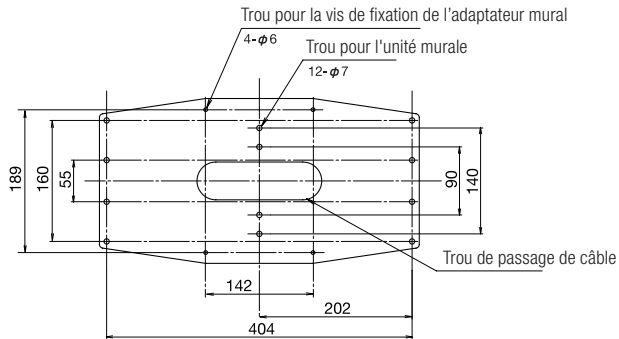
Nom du produit	: Unité murale
Nom du modèle	: NP05WK/NP05WK1
Angles réglables	: Angle vertical – $\pm 5^\circ$; Angle horizontal – $\pm 5^\circ$; Angle d'inclinaison – $\pm 5^\circ$
Positions réglables	: Avant/arrière – 422 ; Horizontal – ± 50 mm ; Vertical – ± 40 mm
Dimensions externes	: 530 (L) x 942 (P) x 223 (H) mm (NP05WK1; 530 (L) x 945 (P) x 223 (H) mm)
Poids	: Environ 13,7 kg (NP05WK1 : 15,5 kg)
Capacité de charge	: 5,0 kg

Les caractéristiques techniques et la conception sont sujettes à modification sans préavis.

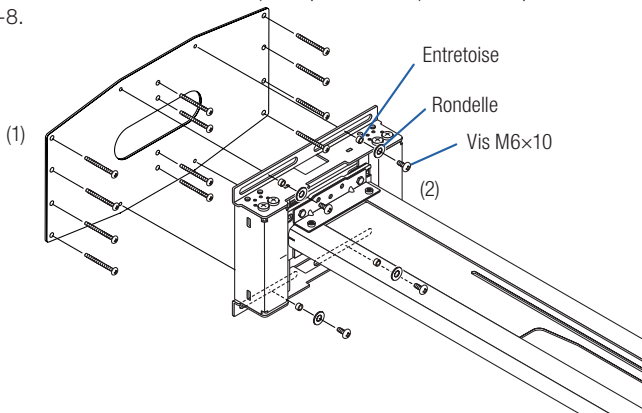
Utilisation de la plaque murale (NP05WK1 uniquement)

Lors de la fixation de l'adaptateur mural à l'aide de la plaque murale, effectuez 16 trous dans le mur aux positions indiquées ci-dessous. Faites des trous d'une profondeur et d'un diamètre correct pour l'utilisation des vis.

Schéma dimensionnel pour les positions des vis (unités : mm)



- (1) Fixez la plaque murale fournie à un membre vertical dans le mur à l'aide des vis (ou des boulons) (dans 12 emplacements).
- (2) Fixez solidement l'adaptateur mural à la plaque murale à l'aide des vis (M6x10), des rondelles et des entretoises fournies (4 emplacements). Pour les précautions, etc., voir page FRA-8.



NP05WK/NP05WK1 Manuale di Installazione e Regolazione

Grazie per aver acquistato questa unità di montaggio a muro NEC.

La preghiamo di leggere con attenzione questo manuale di installazione e regolazione per un utilizzo appropriato.

Per una lista di proiettori supportati, controllare il sito internet NEC o i cataloghi NEC.

Le illustrazioni del proiettore in questo manuale di istruzioni per l'installazione e la regolazione vengono fornite a titolo puramente illustrativo e potrebbero differire nella forma dal proiettore da installare.



Per installare l'unità a muro sono richieste abilità specializzate. Questo lavoro non dovrebbe mai essere eseguito dal cliente.

Al Rivenditore e Installatore



Per assicurare la sicurezza del cliente, prima che il lavoro di installazione venga avviato, chiediamo di fare molta attenzione alla locazione di montaggio, per assicurarsi che sia adatta a sopportare il peso del proiettore e della struttura di montaggio.



CONTENUTI

Si prega di leggere con attenzione.....	ITA-2
Introduzione.....	ITA-4
Parti incluse nella confezione	ITA-4
Nomi dei componenti.....	ITA-5
Dimensioni dei componenti.....	ITA-6
Installare il proiettore.....	ITA-7
Per regolare la distorsione dell'immagine proiettata.....	ITA-12
Specifiche.....	ITA-18







Si prega di leggere con attenzione

● Simboli




In questo “Manuale di Installazione e Regolazione”, per assicurare la sicurezza e l'uso appropriato del prodotto, prevenire infortuni a voi e ad altri e danni alla proprietà, vengono usati vari simboli. I simboli e i loro significato sono i seguenti. Si prega di leggere questo manuale dopo essersi assicurati di aver compreso i loro contenuti.

 Attenzione	La manipolazione impropria e la mancata considerazione di questa indicazione potrebbe portare a inconvenienti fisici come morte, infortuni gravi e così via.
 Avviso	La manipolazione impropria e la mancata considerazione di questa indicazione potrebbero causare danni al fisico e agli oggetti circostanti.

Esempi di simboli:

	 Il simbolo allerta sugli avvisi (compresi quelli di attenzione) Le figure specificano concretamente la causa degli avvisi.
	 Il simbolo raffigura delle azioni proibite Le figure specificano concretamente le proibizioni.
	 Il simbolo raffigura delle azioni obbligate. Le figure specificano concretamente le istruzioni.

Attenzione

-  • Mentre si procede all'installazione del proiettore e alla regolazione della sua posizione assicurarsi di operare seguendo le spiegazioni presenti nel manuale. Se installato o regolato in maniera impropria, il proiettore potrebbe cadere e causare infortuni.
-  • Per evitare che il proiettore cada, installarlo in una posizione e fissarlo con una forza sufficiente a sopportare il peso combinato del proiettore e dell'unità di montaggio a muro, per un lungo periodo di tempo e in modo che resista ai terremoti. In caso di forza o fissaggio insufficienti il proiettore potrebbe cadere e causare infortuni.
Assicurarsi di osservare le seguenti precauzioni:
 - Usare bulloni e viti M6 (1/4") per il fissaggio a muro dell'adattatore a muro.
 - Usare una presa di corrente per l'alimentazione del proiettore. Non collegare direttamente alla linea usata per l'illuminazione perché è pericoloso. Inoltre, usare una presa accessibile che consenta di collegare e scollegare il cavo di alimentazione.
 - Montaggio su un muro di legno
Assicurarsi che il carico sia montato su un pilastro o su strutture di materiale robusto. Se la robustezza del materiale della struttura non è sufficiente, si prega di rinforzarla. Non montare su materiali di finitura del muro, listelli di intelaiatura e così via.
 - Montaggio su un muro di cemento
Usare un bullone commerciale di ancoraggio M6 (1/4"), dadi di ancoraggio e simili, che supporteranno il carico del proiettore.
-  • Non installare in locazioni soggette a vibrazioni costanti. Una prolungata vibrazione potrebbe causare l'allentamento delle viti e la conseguente caduta dell'Unità di Montaggio a Muro con rischio di infortuni. Inoltre potrebbe causare la rottura del proiettore.

Attenzione



• Per garantire la sicurezza, assicurarsi di stringere adeguatamente i bulloni, le viti e le viti di sicurezza. In caso contrario il proiettore potrebbe cadere e causare infortuni.



• Le parti non devono essere modificate. In caso contrario il proiettore e l'Unità di Montaggio a Muro potrebbero cadere e causare infortuni.



• Non usare parti danneggiate. In caso contrario il proiettore e l'Unità di Montaggio a Muro potrebbero cadere e causare infortuni. Se una parte dovesse rompersi, consultare il rivenditore.



• Non guardare nella finestra di proiezione, nello specchio o nella lente quando il proiettore è acceso. Questo potrebbe provocare danni alla vista.



• Non appendersi al proiettore o all'Unità di Montaggio a Muro. In caso contrario il proiettore e l'Unità di Montaggio a Muro potrebbero cadere e causare infortuni. Prestare particolare attenzione ai bambini.



• Non usare adesivi per le viti di bloccaggio, agenti lubrificanti, oli e simili per l'adattatore a muro. In caso contrario si potrebbe causare il deterioramento del materiale dell'adattatore a muro e la conseguente caduta del proiettore con rischio di infortuni.



• Non appendere alcun oggetto sul braccio dell'unità di montaggio a parete.

Il braccio può rompersi e cadere e causare danni.



• Assicurarsi di reggere la base del braccio prima di effettuare la regolazione quando si sta abbassando il braccio. Esso potrebbe rompersi e cadere provocando danni se non viene tenuto alla base durante la regolazione.

Avviso



• Non ostruire le prese d'aria del proiettore. In caso contrario si impedirebbe la dispersione di calore con rischio di incendi. In particolare, non usare il proiettore nei seguenti modi:

installando il proiettore su muri e posizioni simili dove la ventilazione sia insufficiente, coprendolo, ecc.



• Non installare il proiettore di fronte alle uscite di un condizionatore d'aria o calorifero o in un luogo soggetto a vibrazioni intense. In caso contrario potrebbero verificarsi incendi e scosse elettriche.



• Non installare il proiettore in luoghi umidi o polverosi o esposti a fumi oleosi o vapori (vicino a fornelli da cucina o umidificatori) In caso contrario potrebbero verificarsi incendi.



• Quando si installa il proiettore, lasciare spazio sufficiente tra esso e gli oggetti circostanti. In caso contrario si impedirebbe la dispersione di calore con rischio di incendi.

Si prega di:

- Si evitino stanze con grandi quantità di fumo di sigarette e fuliggine, nonché polvere e umidità. Lo sporco potrebbe rimanere attaccato alle parti ottiche come l'obiettivo e provocare un abbassamento della qualità dell'immagine.
- Evitare luoghi in cui lo schermo sia esposto alla luce del sole diretta o alla luce artificiale. Quando la luce colpisce lo schermo in modo diretto, l'immagine appare sbiadita ed è difficile da vedere.
- Evitare luoghi esposti a temperature particolarmente alte o basse. In caso contrario potrebbe verificarsi un guasto. (Per la temperatura ambientale idonea, consultare il manuale d'uso allegato al proiettore.)

Introduzione

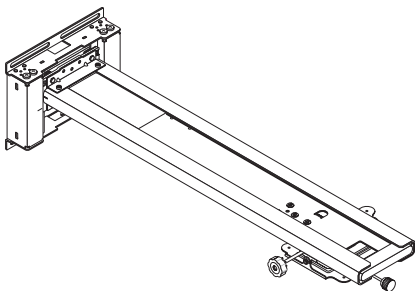
Parti incluse nella confezione

Verificare che le seguenti parti siano incluse nella confezione.

Adattatore a muro: 1

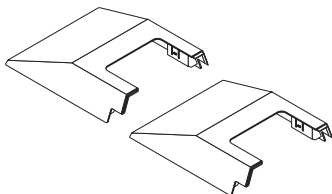
Braccio di scorrimento: 1

L'adattatore a muro e il braccio di scorrimento sono assemblati prima della spedizione.



Coperchi dell'adattatore a muro: 2

Questi sono i coperchi per l'adattatore a muro. I due coperchi sono uguali.



Viti M4x8 mm: 4

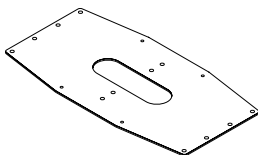
Vengono usate per montare il proiettore.



Piastra a muro: 1

Viene utilizzata per montare l'adattatore a muro nell'America Settentrionale.

* Per le viti o bulloni per il montaggio dell'adattatore a muro alla parete, utilizzare viti o bulloni adatti alla superficie della parete.



Viti M6x10 mm: 4

Vengono utilizzate per montare la piastra a muro sull'unità a muro.



Viti di sicurezza inclinate orizzontalmente (A): 1 unità

Rondella a molla (B): 1 unità

Rondella (C): 1 unità

Da utilizzarsi da parte di coloro che hanno bisogno di fissare l'inclinazione orizzontale dello schermo dopo averlo regolato. Fare riferimento alla Guida all'installazione per il metodo di installazione.



Rondelle: 4

Distanziatori: 4

Essi sono utilizzati per montare l'adattatore a muro alla parete.

* Per le viti o bulloni per il montaggio dell'adattatore a muro alla parete, utilizzare viti o bulloni adatti alla superficie della parete.



Viti di sicurezza per regolazione altezza (D): 2 unità

Da utilizzarsi da parte di coloro che hanno bisogno di fissare l'altezza del braccio dopo averlo regolato. Fare riferimento alla Guida all'installazione per il metodo di installazione.

Chiave esagonale: 1

Questa è una chiave per serrare le viti del blocco di sicurezza.

Tenda cieca: 1 pezzo

Da utilizzarsi da parte di coloro che vogliono coprire la base del braccio. Fare riferimento all'ultima pagina della Guida all'installazione rapida per il metodo di installazione.

Precauzioni per l'installazione: 1

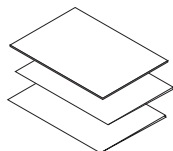
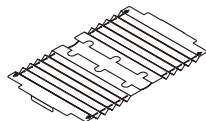
Questi includono precauzioni di sicurezza inerenti all'installazione dell'unità di montaggio a muro, un elenco dei componenti in dotazione e le specifiche.

Guida installazione rapida: 1

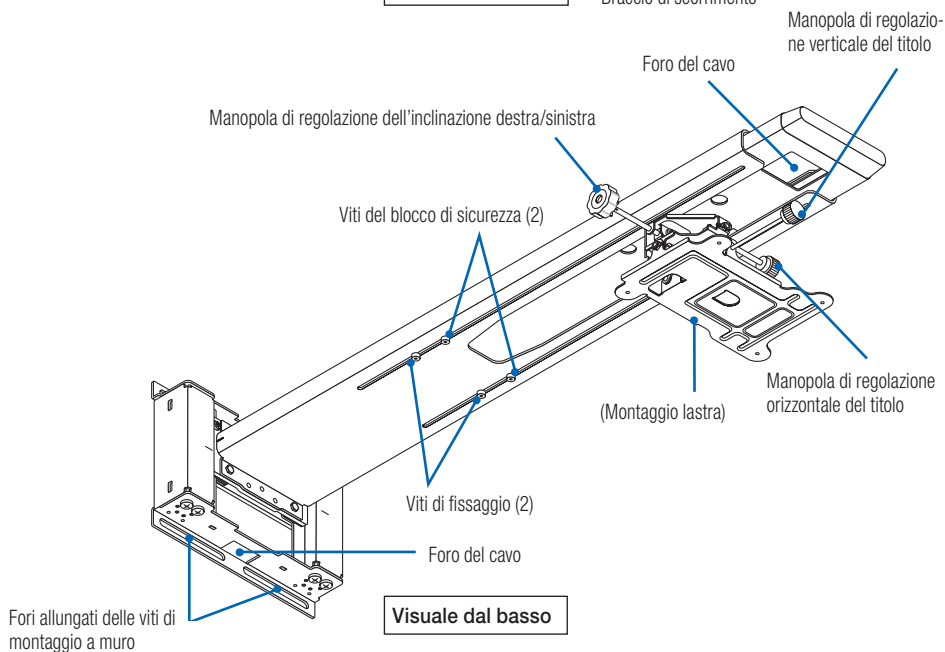
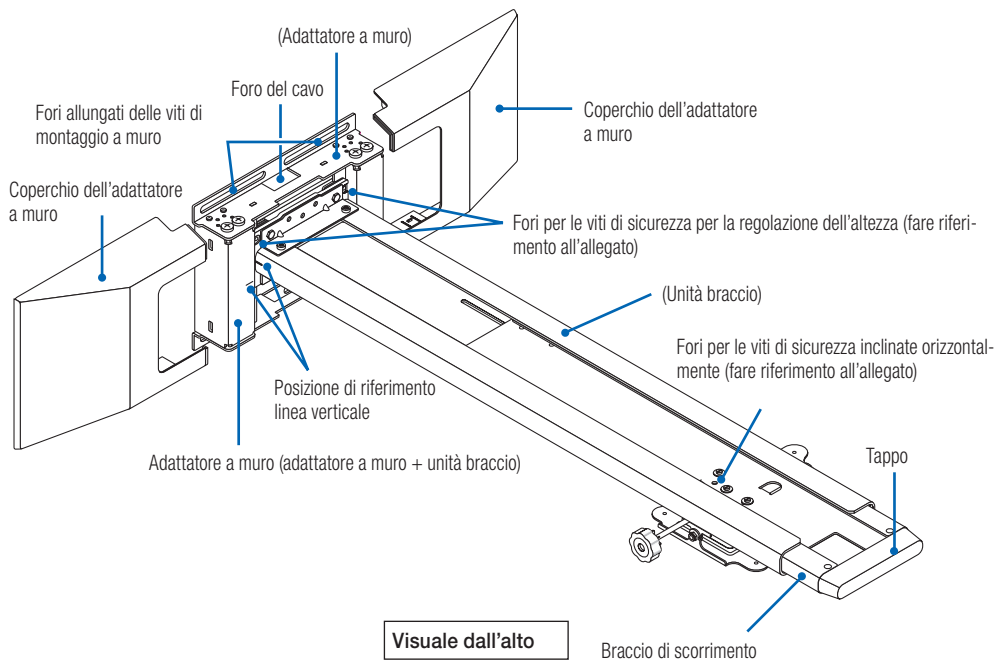
Questa fornisce una semplice descrizione dell'installazione e delle procedure di regolazione.

Guida all'installazione: 1

Il metodo di installazione delle viti di sicurezza inclinate orizzontalmente e di quelle per la regolazione dell'altezza viene presentato qui.



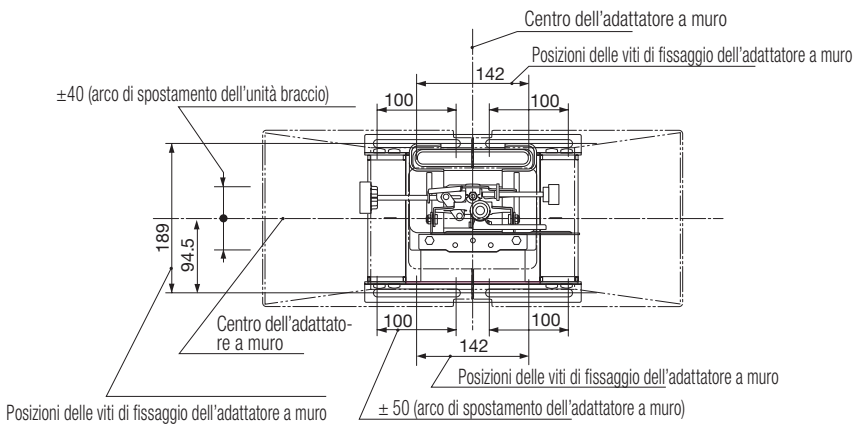
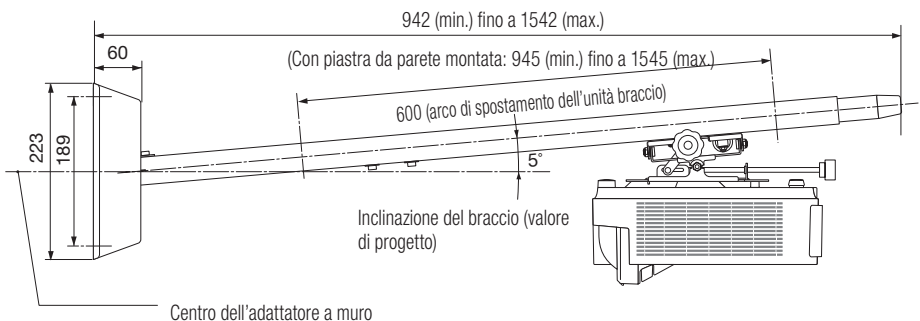
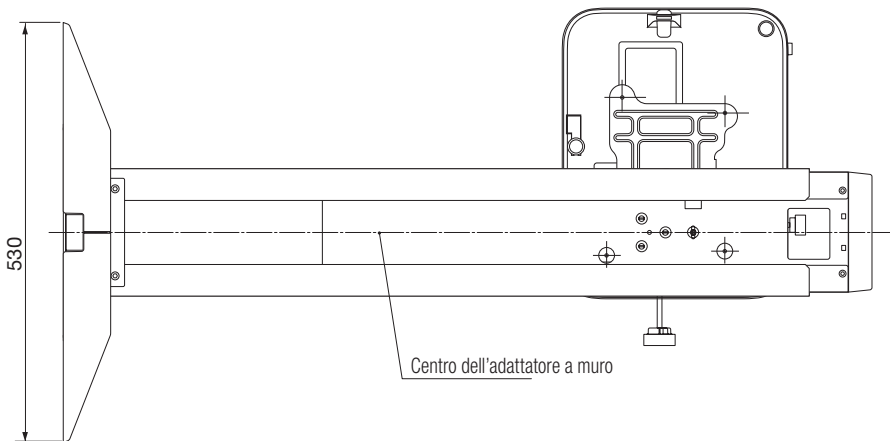
■ Nomi dei componenti



■ Dimensioni dei componenti

Ciò che segue mostra una visuale esterna dell'unità di montaggio a muro, le posizioni delle viti dell'adattatore di montaggio a muro e la quantità di movimento per montare il proiettore.

Unità: mm



Installare il proiettore

Prima di installare

1. Considerare il punto in cui lo schermo deve essere installato e determinare la posizione in cui l'unità di montaggio a muro deve essere montata. (Fare riferimento alla Guida all'installazione rapida)
 - Non è possibile installare in modo che l'immagine venga proiettata ad un angolo. Posizione in modo che l'immagine venga proiettata direttamente verso la parte anteriore.
2. Controllare che la posizione di installazione soddisfi le condizioni in "Assicurarsi di leggere prima di installare" a pagina ITA-2 di queste istruzioni.
 - Poiché l'angolo di elevazione dell'asse ottico del proiettore è grande, piccole variazioni della distanza di proiezione cambieranno significativamente la dimensione e la posizione dell'immagine proiettata. Inoltre, se la direzione verso cui è rivolto il proiettore è cieca, la distorsione dell'immagine aumenta.

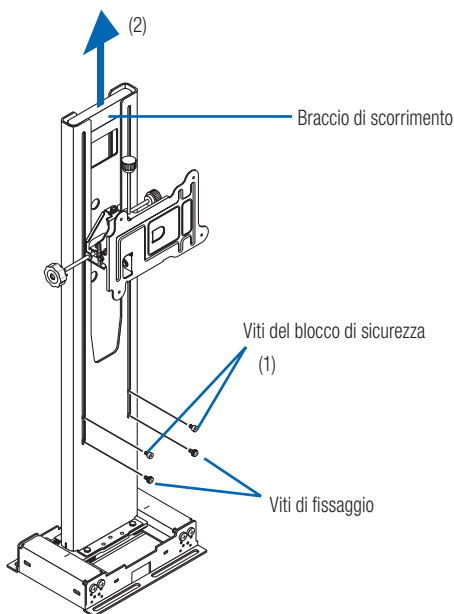
Preparazioni:

1. Preparare un cacciavite a croce (magnetico) e la chiave esagonale in dotazione.
2. Rimuovere il coperchio del cavo del proiettore. Per ulteriori informazioni, consultare i rispettivi manuali delle istruzioni.

1. Rimuovere il braccio di scorrimento.

L'adattatore a muro e il braccio di scorrimento sono assemblati prima della spedizione.

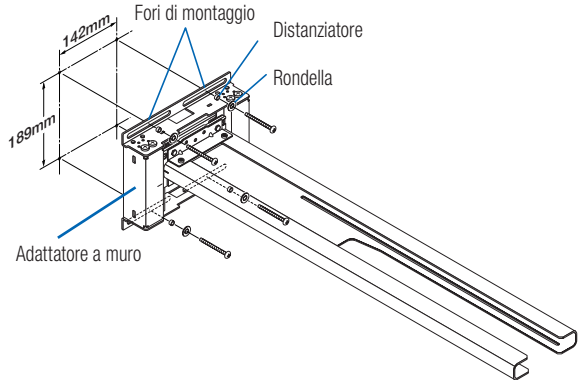
- (1) Rimuovere le due viti di fissaggio e le due viti del blocco di sicurezza.
- (2) Estrarre il braccio di scorrimento.



2. Attaccare l'adattatore a muro alla materiale strutturale della parete.

Utilizzare i distanziatori e le rondelle in dotazione per fissare l'adattatore a muro con le viti M6 (o bulloni).

- Fare riferimento all'allegato "Guida all'installazione rapida" e a ITA-6 del "Dimensioni delle parti" per la posizione e le dimensioni dell'installazione al muro.
- Assicurarsi di serrare le viti al centro dei fori di montaggio, poiché essi servono come punti di riferimento per la posizione orizzontale.
- L'adattatore a muro deve essere installato nella giusta direzione sopra/sotto. Montarlo nella direzione mostrata nel grafico.
- L'arco di regolazione della posizione orizzontale è di ± 50 mm.



AVVISO

- Il montaggio dovrebbe essere eseguito da due persone.



ATTENZIONE



- Assicurarsi di utilizzare viti M6 (1/4 di pollice) o bulloni (4 posizioni) per fissare la parte inferiore dell'adattatore a muro. Usare qualcosa di diverso dalle viti M6 (o dai bulloni) potrebbe provocare la caduta del proiettore e causare lesioni.

3. Collegare il proiettore alla piastra di montaggio.

Allineare i fori per le viti nella piastra di montaggio con i fori per le viti sul lato inferiore del proiettore e serrare saldamente le quattro viti incluse M4x8.

- Posizionare un panno spesso, morbido ecc., sul pavimento per evitare che il proiettore si graffi.

Nota: "MAX.M4 x 8" è indicato sui quattro fori per le viti sul lato inferiore del proiettore. Si noti che questa indicazione non è per l'adattatore di questo proiettore.

AVVISO

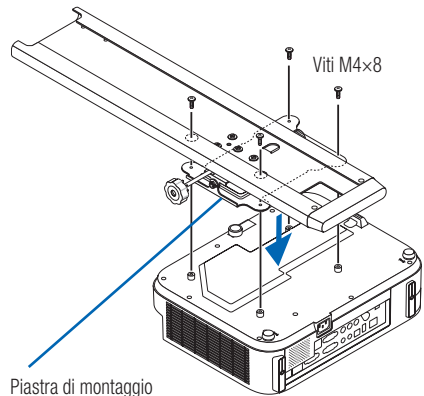
- Fare attenzione a non toccare la finestra di proiezione del proiettore quando si monta il proiettore.



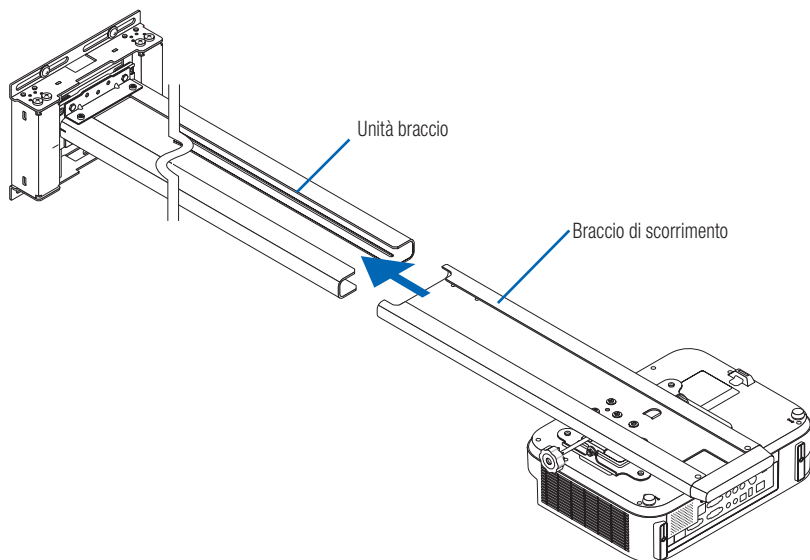
ATTENZIONE



- Il montaggio del proiettore usando le viti diverse da quelle in dotazione potrebbe danneggiare il proiettore o provocarne la caduta e causare lesioni. Assicurarsi di utilizzare le viti in dotazione.

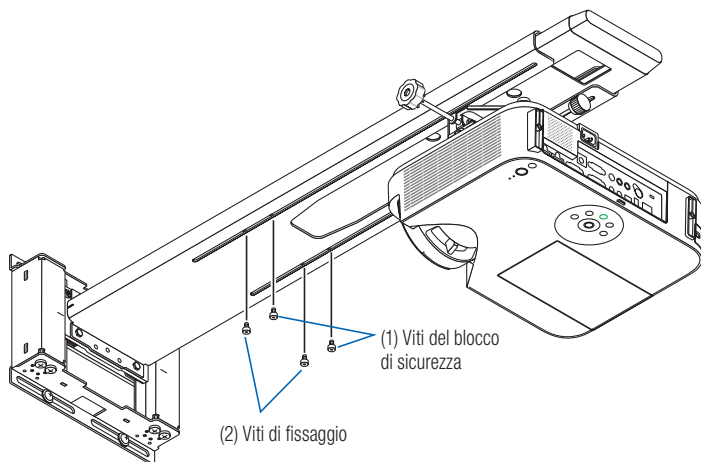


4. Inserire il braccio di scorrimento sull'unità braccio.



5. Fissare le viti del blocco di sicurezza e le viti di fissaggio.

- (1) Utilizzare la chiave esagonale in dotazione per serrare saldamente le due viti del blocco di sicurezza.
- (2) Lasciare le due viti di fissaggio allentate. Serrare i bulloni dopo che le regolazioni sono state effettuate.

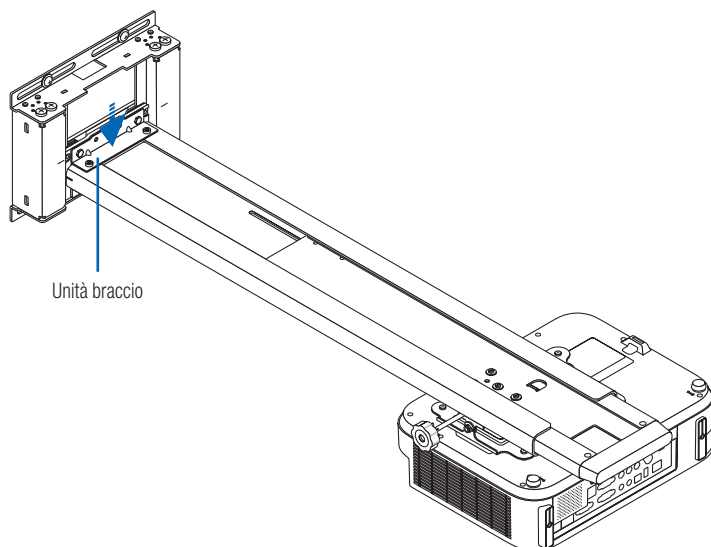


* Questo grafico è visto dal basso.

6. Effettuare le impostazioni iniziali della posizione verticale dell'unità braccio.

Al momento della spedizione dalla fabbrica, l'unità braccio è impostata sulla posizione più elevata. Reggere la base del braccio e abbassarlo fino in fondo per una volta.

Questo completa l'impostazione iniziale della posizione verticale dell'unità braccio.



ATTENZIONE

- Non rimuovere le viti del blocco di sicurezza se non per l'assemblaggio. In caso contrario, il braccio di scorrimento potrebbe staccarsi e cadere, provocando lesioni.
- Durante l'abbassamento del braccio per la regolazione, assicurarsi di reggerlo alla base. Se tenuto in qualsiasi altra posizione mentre si effettua la regolazione, il braccio potrebbe danneggiarsi o cadere, provocando lesioni.

7. Cablaggio

Il cavo di alimentazione e il(i) cavo(i) del segnale possono essere fatti passare attraverso il braccio di scorrimento e l'adattatore a muro.

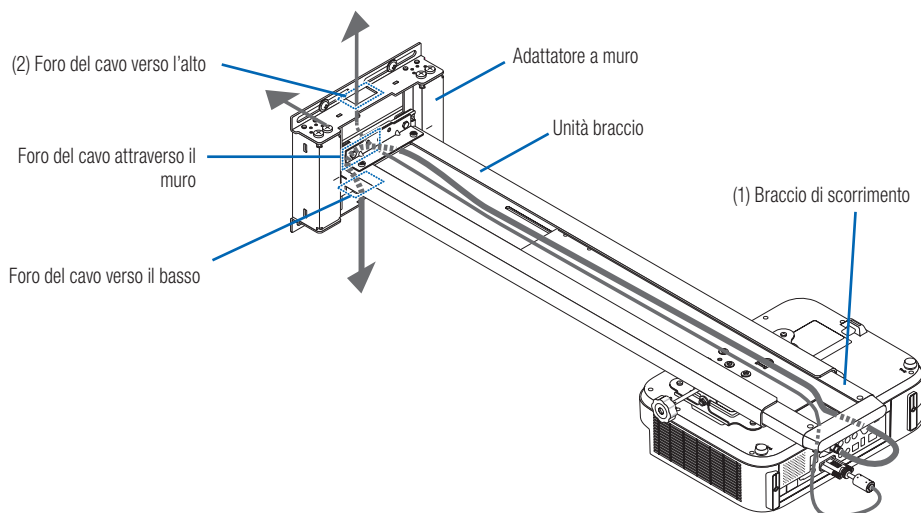
È presente un foro per il cavo nel braccio di scorrimento e tre fori per il cavo nell'adattatore a muro (verso l'alto, attraverso il muro e verso il basso).

Selezionare i fori del cavo da utilizzare in base alle condizioni di cablaggio.

- (1) Far passare i cavi attraverso il foro per il cavo nel braccio di scorrimento quindi alla punta dell'unità braccio.
- (2) Far passare i cavi attraverso il foro superiore, inferiore o medio del cavo nell'adattatore a muro.

AVVISO

- Fornire sufficiente lunghezza del cavo per consentire la regolazione del braccio di scorrimento.
- Quando ci sono più cavi di segnale, avvolgere i cavi. Tuttavia, non avvolgerli insieme al cavo di alimentazione. In caso contrario, potrebbero verificarsi interferenze di alimentazione.



Ciò completa la procedura di installazione del proiettore.

Montare il coperchio del cavo del proiettore e i coperchi dell'adattatore a muro dopo aver regolato l'immagine proiettata.

Per regolare la distorsione dell'immagine proiettata

■ Prima di regolare

Preparazione del proiettore

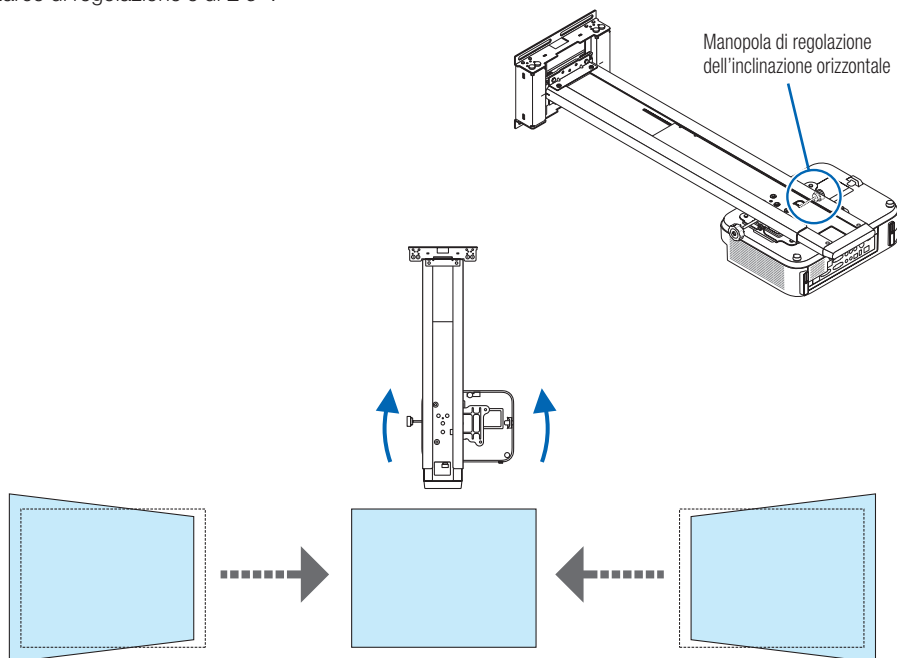
- Proiettare un'immagine dal proiettore, quindi spostare l'anello di messa a fuoco del proiettore per regolare approssimativamente la messa a fuoco dell'immagine proiettata. Per istruzioni sulla proiezione delle immagini, fare riferimento a "Proiezione di un'immagine (operazione di base)" del Manuale dell'utente (CD-ROM) fornito in dotazione con il proiettore.
- In "Installazione" o "Impostazioni" nel menu sullo schermo, selezionare "Soffitto/Anteriore" per il metodo di proiezione.
- Per i proiettori con una funzione schema di prova, la regolazione diventa più facile proiettando lo schema di prova.

I grafici descrittivi indicano solo i cambiamenti nell'immagine proiettata per una regolazione alla volta. In circostanze reali, la distorsione viene aumentata.

1. Regolare l'orientamento del proiettore in direzione orizzontale.

Ruotare la manopola di regolazione dell'inclinazione orizzontale e regolare in modo che il bordo superiore e quello inferiore dell'immagine proiettata siano paralleli.

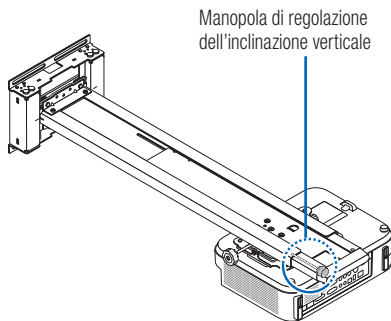
- L'arco di regolazione è di $\pm 5^\circ$.



2. Regolare l'inclinazione del proiettore in direzione verticale.

Ruotare la manopola di regolazione dell'inclinazione verticale e regolare in modo che il bordo destro e quello sinistro dell'immagine proiettata siano paralleli.

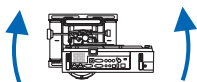
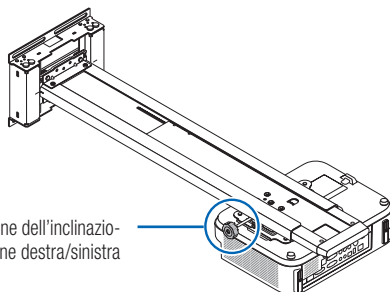
- L'arco di regolazione è di $\pm 5^\circ$.



3. Regolare l'inclinazione del proiettore nel senso di rotazione.

Ruotare la manopola di regolazione dell'inclinazione destra/sinistra e fare in modo che l'immagine sia parallela allo schermo.

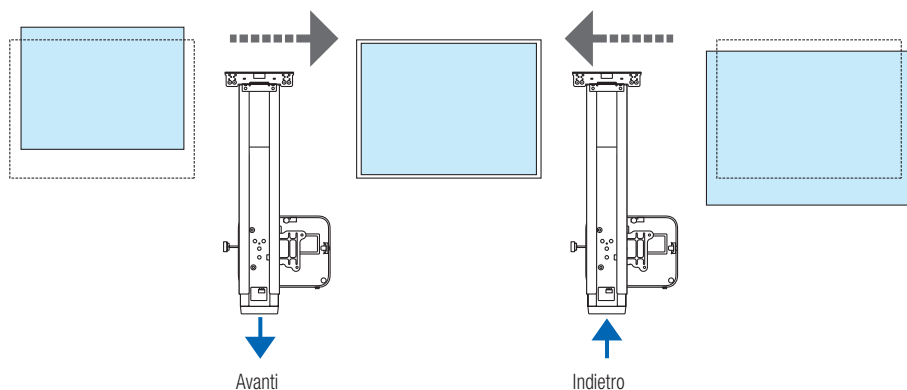
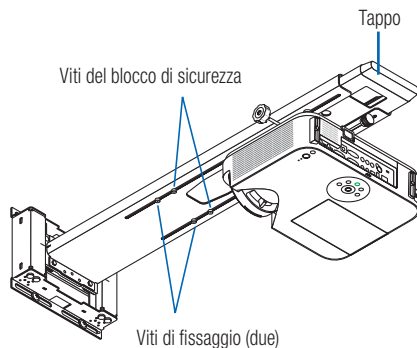
- L'arco di regolazione è di $\pm 5^\circ$.



4. Regolare la dimensione dell'immagine proiettata.

- (1) Allentare le due viti di fissaggio dell'unità braccio.
- (2) Reggere il coperchio del braccio di scorrimento, spostare avanti o indietro per proiettare l'immagine a schermo intero.

- Se installato seguendo le istruzioni in "Distanza di proiezione e dimensioni dello schermo", l'immagine viene proiettata vicino al centro.
- Il braccio di scorrimento si sposta al massimo di 600 mm.
- In considerazione del tempo per il cambio della posizione alla quale l'immagine proiettata viene regolata, impostare in modo che l'immagine proiettata sia leggermente più piccola (circa 20 mm) rispetto allo schermo.



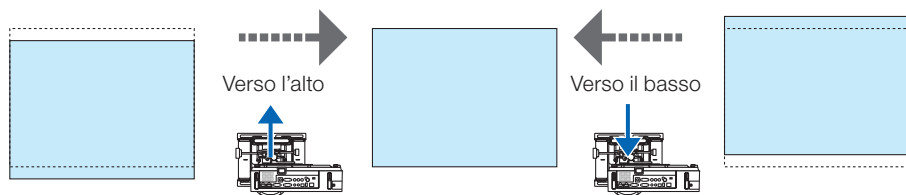
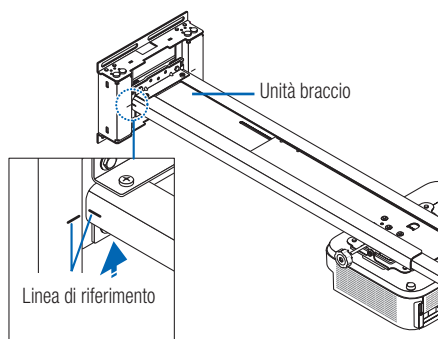
ATTENZIONE

- Non rimuovere le viti del blocco di sicurezza se non per l'assemblaggio. In caso contrario, il braccio di scorrimento potrebbe staccarsi e cadere, provocando lesioni.

5. Regolare in direzione verticale.

Reggere la base del braccio e spostarlo verso l'alto usando la linea di riferimento come guida. Regolare la proiezione dell'immagine in modo che si trovi al centro della superficie dello schermo.

- * Se l'immagine proiettata si sposta in una posizione troppo alta rispetto alla superficie dello schermo, è più facile regolarla tenendo prima la base del braccio e abbassando il braccio, per poi spostarlo all'indietro verso l'alto.
- L'unità braccio si avvale della molla di alimentazione per ridurre il carico quando la si sposta verso l'alto.
- L'arco di regolazione è di ± 40 mm.



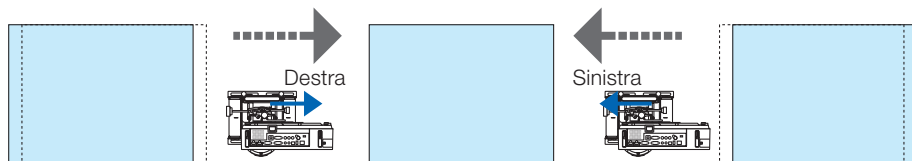
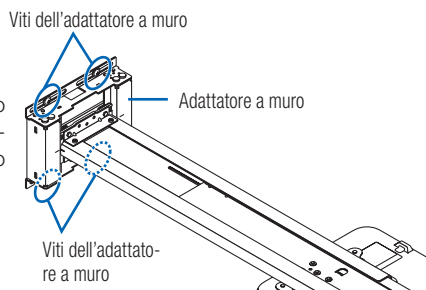
ATTENZIONE

- Durante l'abbassamento del braccio per la regolazione, assicurarsi di reggerlo alla base. Se tenuto in qualsiasi altra posizione mentre si effettua la regolazione, il braccio potrebbe danneggiarsi o cadere, provocando lesioni.

6. Regolare in direzione orizzontale.

Se l'immagine proiettata è fuori dallo schermo su uno dei lati, allentare leggermente le quattro viti dell'adattatore a muro, quindi far scorrere l'adattatore a muro per regolare.

- L'arco di regolazione è di ± 50 mm.



ATTENZIONE

- Non allentare eccessivamente le viti. In caso contrario, si potrebbe danneggiare l'apparecchio o causare la caduta dello stesso, provocando lesioni.

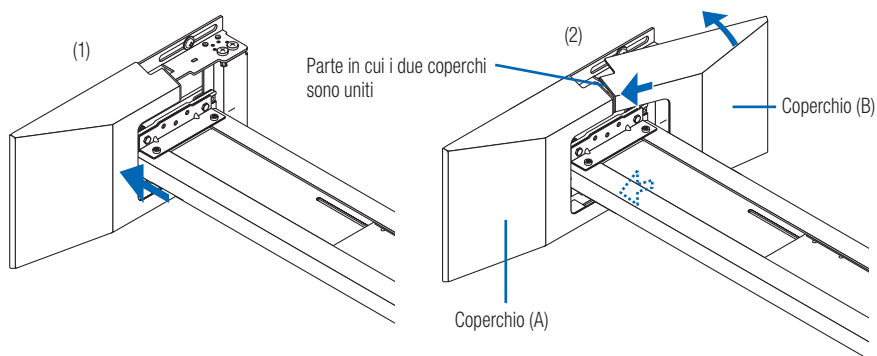
7. Una volta completate le regolazioni, serrare saldamente tutte le viti che sono state allentate.

8. Fissare i coperchi all'adattatore a muro.

Il coperchio (A) e il coperchio (B) hanno la stessa forma.

Fissare i coperchi

- (1) Premere uno dei coperchi sull'adattatore a muro.
 - Fissando il coperchio in posizione, le quattro linguette sul retro del coperchio si inseriscono nelle tacche presenti nell'adattatore a muro.
- (2) Inserire il coperchio (B) da un'angolazione e ruotarlo facendo attenzione alle linguette.
 - Fissando il coperchio in posizione, le quattro linguette sul retro del coperchio si inseriscono nelle tacche presenti nell'adattatore a muro.

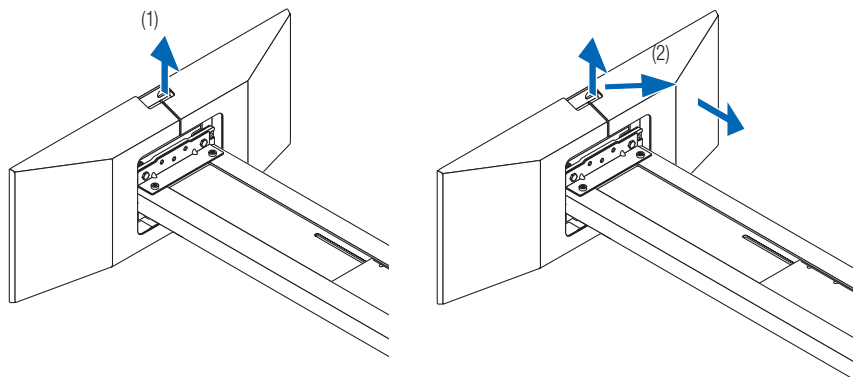


Rimozione dei coperchi

- (1) Posizionare un dito nell'apertura sul lato superiore del coperchio, quindi sollevarlo leggermente verso l'alto per sganciare le linguette.
- (2) Tirare diagonalmente come indicato dalle frecce, quindi spostare il coperchio verso di sé per rimuoverlo. Rimuovere l'altro coperchio seguendo la stessa procedura.

AVVISO

- Non tirare con forza se le linguette situate sul retro del coperchio non sono sganciate. In caso contrario, si potrebbero danneggiare le linguette.



9. Fissare il copricavo del cavo al proiettore.

Per istruzioni sull'installazione del coperchio, fare riferimento al Manuale dell'utente.



ATTENZIONE

- Non avvolgere il filo di alimentazione insieme ai cavi e metterlo sotto il copricavo. In caso contrario, si potrebbe provocare un incendio.

Questa operazione completa l'installazione e la regolazione.

Specifiche

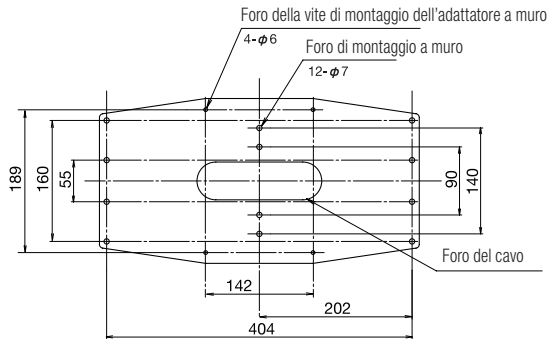
Nome del prodotto	: Unità di montaggio a muro
Nome del modello	: NP05WK/NP05WK1
Angoli di regolazione	: Angolo verticale $\pm 5^\circ$; Angolo orizzontale $\pm 5^\circ$; Angolo di inclinazione $\pm 5^\circ$
Posizioni di regolazione	: Parte anteriore/posteriore ± 422 ; Orizzontale ± 50 mm; Verticale ± 40 mm
Dimensioni esterne	: 530 (L) x 942 (P) x 223 (A) mm (NP05WK1; 530 (L) x 945 (P) x 223 (A) mm)
Peso	: Ca. 13,7 kg (NP05WK1: 15,5 kg)
Capacità di carico	: 5,0 kg

Queste specifiche e il design sono soggetti a modifiche senza preavviso.

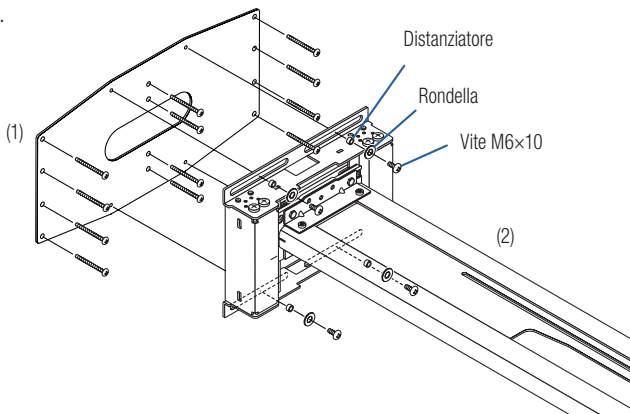
Utilizzo della piastra a muro (solo NP05WK1)

Quando si collega l'adattatore a muro usando la piastra a muro, effettuare 16 fori nella parete nelle posizioni indicate di seguito. Eseguire i fori da usare per le viti ad una profondità e con un diametro appropriati.

Disegno dimensionale per le posizioni delle viti (unità: mm)



- (1) Fissare la piastra a muro in dotazione al membro verticale nella parete utilizzando le viti (o i bulloni) (in 12 punti).
- (2) Fissare saldamente l'adattatore a muro alla piastra a muro usando le viti in dotazione (M6x10), i distanziatori e le rondelle (4 posizioni). Per le avvertenze, ecc., consultare pagina ITA-8.



NP05WK/NP05WK1 Manual de instalación y ajuste

Gracias por haber adquirido esta unidad de montaje de pared NEC.

Para garantizar un uso adecuado, lea atentamente este manual de instalación y ajuste.

Si desea una lista con los proyectores compatibles, consulte el sitio web de NEC o sus catálogos.

Las ilustraciones del proyector que aparecen en este manual de instrucciones de instalación y ajuste sólo tienen fines ilustrativos y pueden diferir en su forma del proyector que se va a instalar.



Se requieren habilidades especiales para la instalación de la unidad de montaje de pared. Dicha tarea no podrá ser realizada en ningún caso por el cliente.



Nota para el distribuidor y el instalador

Con la finalidad de garantizar la seguridad del cliente, le rogamos que comience el proceso de instalación una vez comprobada la resistencia de la ubicación de montaje para asegurarse de que la misma soportará el peso del proyector y del hardware de montaje.



CONTENIDO

Preste atención	SPA-2
Introducción	SPA-4
Contenidos del paquete.....	SPA-4
Denominación de las piezas.....	SPA-5
Dimensiones de las piezas	SPA-6
Instalación del proyector	SPA-7
Ajuste de la distorsión de la imagen proyectada	SPA-12
Especificaciones	SPA-18

Preste atención

● Símbolo

Con la finalidad de garantizar el uso seguro y adecuado de este producto, evitar lesiones personales y daños materiales se utilizarán varios símbolos en este “Manual de instalación y ajuste”. Los símbolos y su significado son los siguientes. Lea este manual una vez comprobado que se ha comprendido plenamente su contenido.

 Aviso	El manejo inadecuado y la omisión de estas indicaciones podrían provocar lesiones físicas tales como la muerte, lesiones graves, etc.
 Precaución	El manejo inadecuado y la omisión de estas indicaciones podrían provocar lesiones físicas y daños a los contenidos adyacentes.

Ejemplos de los símbolos:



△ Este símbolo indica precauciones (incluyendo avisos)

Las precauciones concretas vienen indicadas en imágenes.



⊘ Este símbolo indica acciones prohibidas

Las prohibiciones concretas vienen indicadas en imágenes.



● Este símbolo indica acciones imperativas.

Las instrucciones concretas vienen indicadas en imágenes.



Aviso



• Asegúrese de realizar la instalación del proyector y el ajuste de la posición de proyección de acuerdo a lo especificado en este manual. Si el proyector no es instalado y ajustado adecuadamente podría caerse y provocar lesiones.

• Para prevenir la caída del proyector, instálelo en una ubicación y asegúrelo de forma tal que garantice el soporte del peso combinado del proyector, de la unidad de montaje de pared y demás, durante largos períodos de tiempo así como su resistencia en caso de terremotos. Una resistencia o fijación insuficiente podría provocar la caída del proyector y provocar lesiones.

Asegúrese de cumplir con las siguientes precauciones:

- Utilice el tamaño M6 (1/4 pulgadas) para los pernos de fijación de pared y tornillos para el adaptador de pared.

- Utilice una toma de corriente como suministro de alimentación del proyector. No lo conecte directamente a la línea de la lámpara ya que es peligroso. Igualmente, utilice una toma de corriente accesible de manera que pueda conectar y desconectar el enchufe de alimentación.

- Montaje en paredes de madera

Asegúrese de que la carga es colocada sobre un pilar o sobre materiales de construcción robusta. Si la resistencia de los materiales de construcción y demás es insuficiente, utilice refuerzos. No lo instale sobre materiales de acabado de pared, listones, etc.

- Montaje en paredes de hormigón

Utilice un perno de anclaje comercio M6 (1/4 pulgadas), tuercas de anclaje y similares, ya que soportarán la carga del proyector.



• No lo instale en ubicaciones sometidas a constantes vibraciones. Una vibración continua podría causar que los tornillos se aflojasen y provocar la caída de la Unidad de montaje de pared y del proyector provocando lesiones. Igualmente, podría producir la avería del proyector.

Aviso



- Por motivos de seguridad, asegúrese de apretar firmemente los pernos, tornillos y tornillos de bloqueo de seguridad. Si hace caso omiso de esta advertencia podría provocar la caída del proyector y provocar lesiones.



- No modifique ninguna de las piezas. Si hace caso omiso de esta advertencia podría provocar la caída del proyector y de la Unidad de montaje de pared, provocando lesiones.



- No utilice piezas rotas. Si hace caso omiso de esta advertencia podría provocar la caída del proyector y de la Unidad de montaje de pared, provocando lesiones. Si una de las piezas se rompe, contacte con su distribuidor.



- Si el proyector está encendido, no mire a la ventana de proyección, al espejo o a la lente. De lo contrario podría dañar su vista.



- No se apoye en el proyector ni en la Unidad de montaje de pared. Si hace caso omiso de esta advertencia podría provocar la caída del proyector y de la Unidad de montaje de pared, provocando lesiones. Ponga especial atención si hay niños alrededor.



- No utilice adhesivos para fijar los tornillos, ni agentes lubricantes, aceites y demás con el adaptador de pared. Si hace caso omiso de esta advertencia podría provocar el deterioro del material del adaptador de pared y provocar la caída del proyector, provocando lesiones.



- Nunca cuelgue cosas del brazo de la unidad de montaje en la pared.

El brazo puede romperse, caer y causar lesiones.



- Asegúrese de sujetar la base del brazo antes de ajustar cuando está bajando el brazo. El brazo podría romperse y caer causando lesiones si no se sujeta por la base durante el ajuste.

Precaución



- No bloquee los orificios de ventilación del proyector. De lo contrario evitará la disipación del calor y podría provocar un incendio. Concretamente, no utilice el proyector bajo las siguientes circunstancias: instalación del proyector en lugares tales como una pared en la cual la ventilación sea escasa, esté cubierto, etc.



- No instale el proyector en frente de las salidas de un aire acondicionado o calefactores o en lugares expuestos a vibraciones considerables. De lo contrario podría resultar en incendios y descargas eléctricas.



- No instale el proyector en lugares húmedos o polvorientos o en lugares expuestos a humos de aceite o vapores (como por ejemplo cerca de equipos de cocina o humidificadores). De lo contrario podría resultar en incendios.



- Al instalar el proyector, deje suficiente espacio entre el mismo y cualquier objeto adyacente. Si hace caso omiso de esta advertencia podría evitar la disipación del calor y provocar incendios.

Por favor:

- Evite lugares con mucho humo de cigarrillos y hollín, así como el polvo y la humedad. La suciedad puede adherirse a las partes ópticas tales como el objetivo y causar una reducción de la calidad de la imagen.
- Evite lugares en los cuales la pantalla esté expuesta a la luz solar directa o a sistemas de iluminación. Si la luz circundante se refleja directamente en la pantalla, la imagen será borrosa y de difícil visualización.
- Evite ubicaciones expuestas a altas o bajas temperaturas. De lo contrario podría resultar en una avería. (Para más información sobre la temperatura de funcionamiento, consulte el manual del usuario incluido con el proyector.)

Introducción

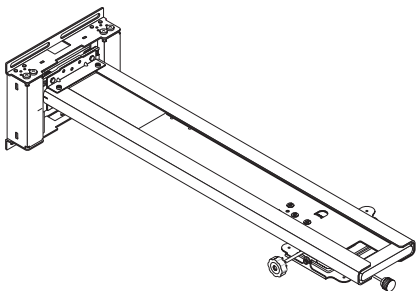
■ Contenidos del paquete

Compruebe que el paquete contenga las siguientes piezas.

Adaptador de pared: 1 juego

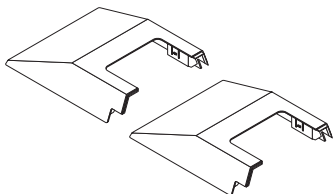
Brazo de deslizamiento: 1 juego

El adaptador de pared y el brazo de deslizamiento se envían ya montados.



Cubiertas del adaptador de pared: 2

Estas son las cubiertas del adaptador de pared. Las dos cubiertas son iguales.



Tornillos M4x8 mm: 4

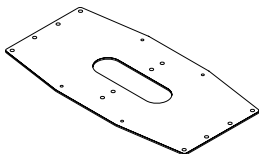
Utilizados para instalar el proyector.



Placa de pared: 1

Se utiliza para instalar el adaptador de pared en la región de Norteamérica.

* Para los pernos o tornillos para la instalación del adaptador de pared en la pared, utilice pernos o tornillos que se adapten a la superficie de la pared.



Tornillos M6x10 mm: 4

Utilizados para instalar la placa de pared en la unidad de montaje de pared.



Tornillos de fijación inclinados horizontalmente (A): 1 unidad

Arandela elástica (B): 1 unidad

Arandela (C): 1 unidad

Para su utilización por aquellos que deseen fijar la inclinación horizontal de la pantalla después de ajustarla. Consulte la Guía de instalación para obtener información sobre el método de instalación.



Arandelas: 4



Espaciadores: 4



Utilizados para instalar el adaptador de pared en la pared.

* Para los pernos o tornillos para la instalación del adaptador de pared en la pared, utilice pernos o tornillos que se adapten a la superficie de la pared.

Tornillos de fijación de ajuste de altura (D): 2 unidades



Para su utilización por aquellos que deseen fijar la altura del brazo después de ajustarla. Consulte la parte posterior de la Guía de instalación para obtener información sobre el método de instalación.

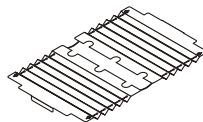
Llave hexagonal: 1

Esta llave se utiliza para apretar los tornillos de bloqueo de seguridad.



Cortina ciega: 1 pieza

Para su utilización por aquellos que deseen ocultar la base del brazo. Consulte el reverso de la Guía de instalación rápida para obtener información sobre el método de instalación.



Precauciones de instalación: 1

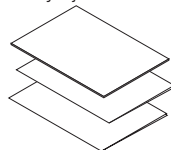
Incluyen las precauciones de seguridad de la instalación de la unidad de montaje de pared, una lista con las piezas incluidas y las especificaciones.

Guía de instalación rápida: 1

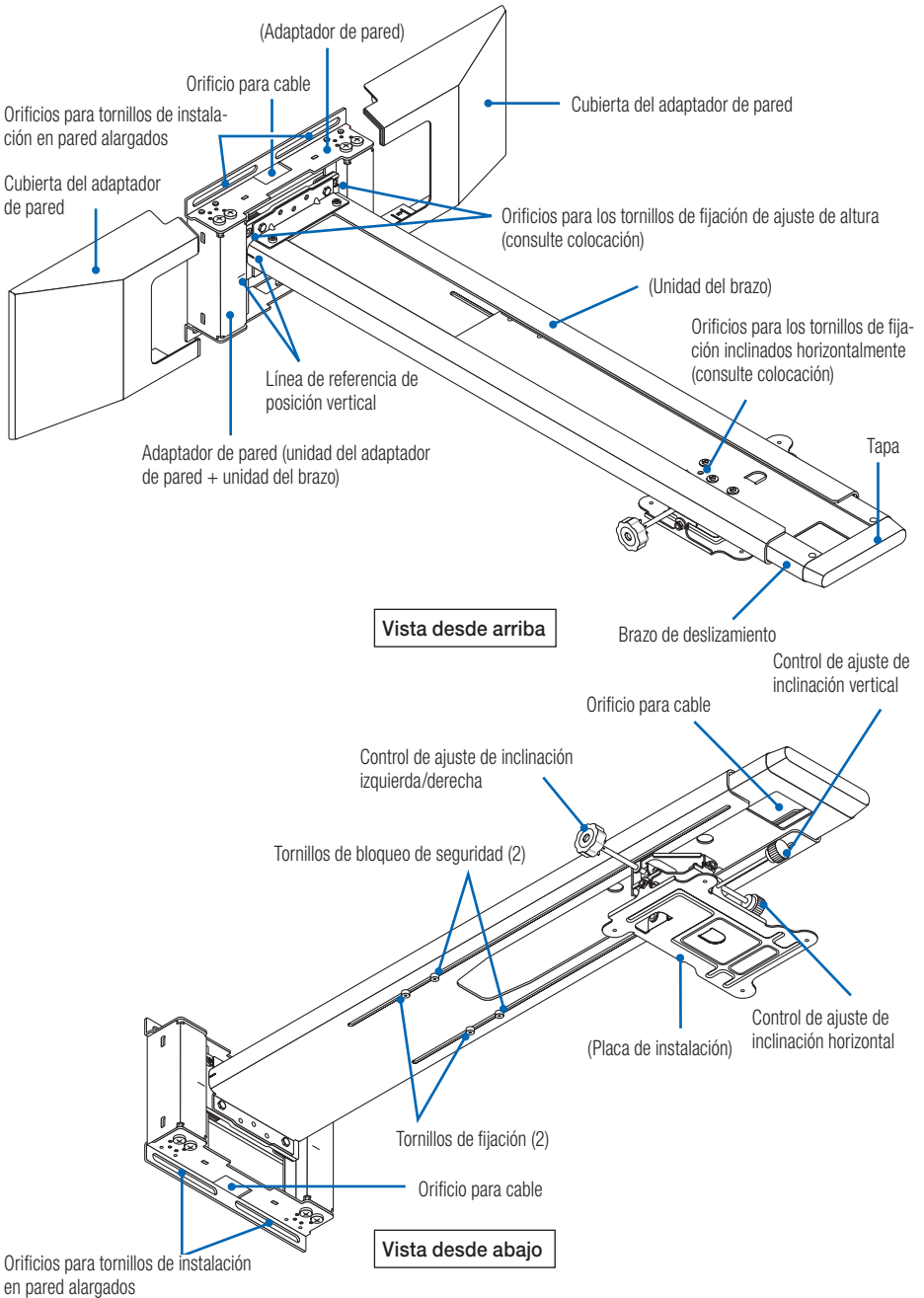
Suministra una descripción simple de los procedimientos de instalación y ajuste.

Guía de instalación: 1

El método de instalación de los tornillos de fijación inclinados horizontalmente y de los tornillos de fijación de ajuste de altura se muestra aquí.



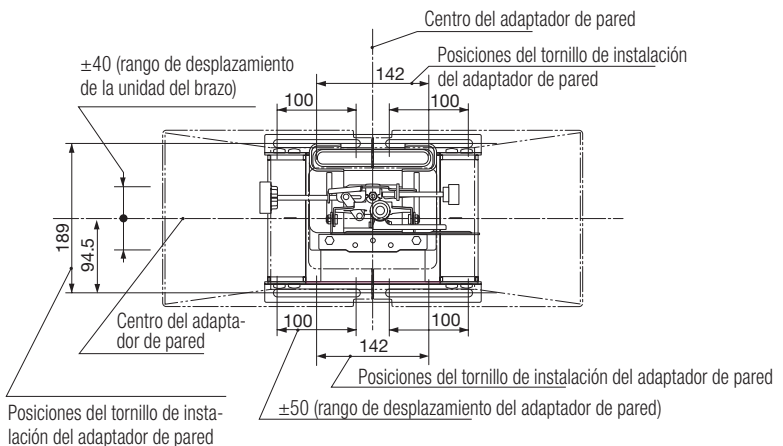
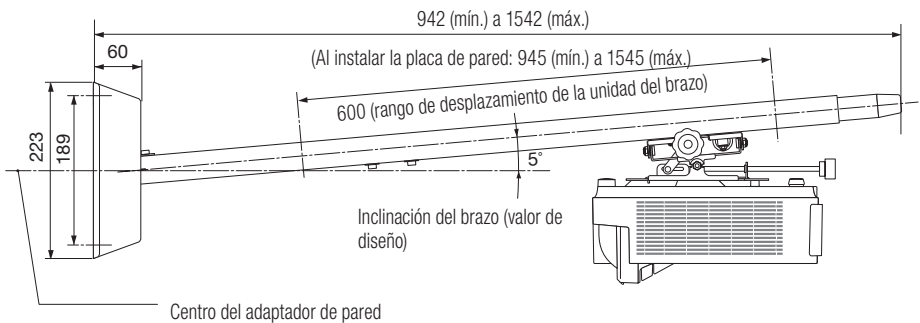
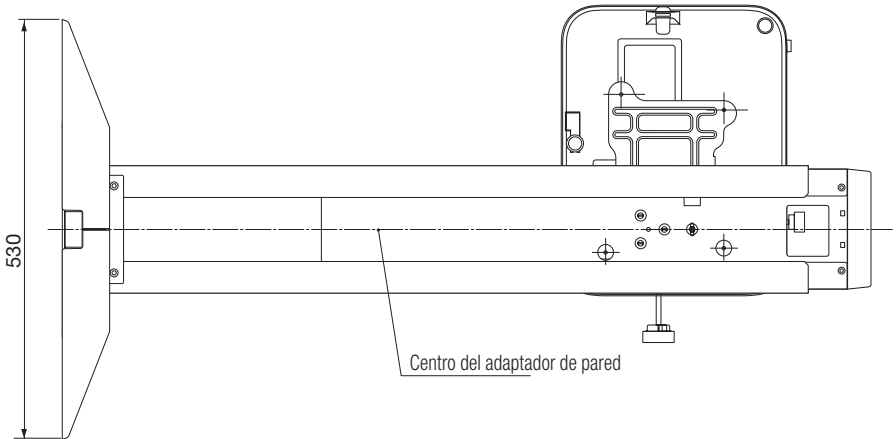
Denominación de las piezas



■ Dimensiones de las piezas

A continuación se muestra la vista externa de la unidad de montaje de pared, las posiciones de los tornillos de instalación en pared del adaptador de pared y la cantidad de desplazamiento al instalar el proyector.

Unidades: mm



Instalación del proyector

Antes de la instalación

1. Decida el lugar en el que instalará la pantalla y determine la posición en la cual instalará la unidad de montaje de pared. (Consulte la Guía de instalación rápida)
 - No es posible realizar la instalación de modo que la imagen sea proyectada en ángulo. Coloque el producto de tal modo que la imagen sea proyectada directamente delante.
2. Compruebe que la posición de instalación cumpla con las condiciones indicadas en “Leer antes de instalar” en la página SPA-2 de estas instrucciones.
 - Ya que el ángulo de elevación del eje óptico del proyector es grande, la realización de pequeños cambios en la distancia de proyección cambiará significativamente el tamaño y la posición de la imagen proyectada. Igualmente, si la dirección en la cual está orientado el proyector está desviada, la distorsión de la imagen aumenta.

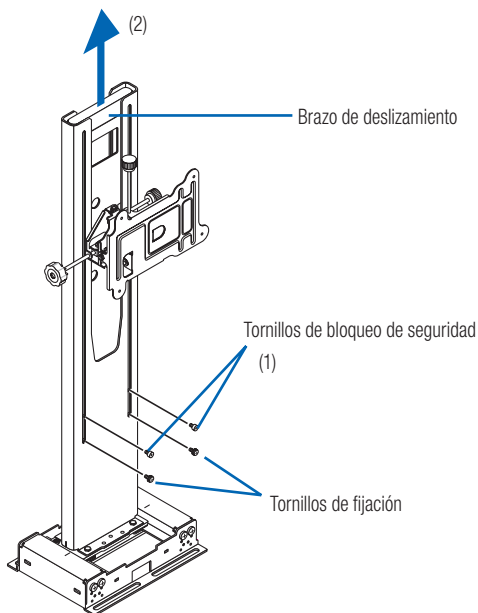
Preparativos:

1. Tenga a mano un destornillador Phillips (magnético) y la llave hexagonal suministrada.
2. Extraiga la cubierta para cables del proyector. Para más información, consulte las respectivas instrucciones de funcionamiento.

1. Extraiga el brazo de deslizamiento.

El adaptador de pared y el brazo de deslizamiento se envían ya montados.

- (1) Extraiga los dos tornillos de fijación y los dos tornillos de bloqueo de seguridad.
- (2) Tire del brazo de deslizamiento.

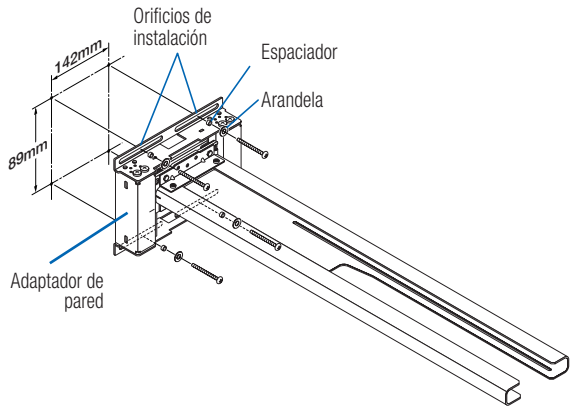


SPA-7

2. Instale el adaptador de pared en el material estructural de la pared.

Utilice las arandelas y espaciadores suministrados para instalar el adaptador de pared con los tornillos M6 (o pernos).

- Consulte la "Guía de instalación rápida" de colocación y SPA-6 de las "Dimensiones de las piezas" para la posición de instalación en la pared y dimensiones.
- Asegúrese de apretar los tornillos en el centro de los orificios de instalación, ya que sirven como puntos de referencia para la posición horizontal.
- El adaptador de pared debe ser instalado en la dirección superior/inferior correcta. Instálelo en la dirección indicada en el diagrama.
- El rango de ajuste de la posición horizontal es de ± 50 mm.



PRECAUCIÓN

- La instalación debe ser realizada por dos personas.



AVISO



- Asegúrese de utilizar tornillos o pernos M6 (1/4 pulg.) (4 ubicaciones) para fijar la parte inferior del adaptador de pared. Utilizar cualquier otro tornillo (o perno) que no sea M6 podría provocar la caída del proyector y causar lesiones.

3. Instale el proyector en la placa de instalación.

Alinee los orificios de los tornillos de la placa de instalación con los orificios de los tornillos de la parte inferior del proyector y apriete firmemente los cuatro tornillos M4x8 suministrados.

- Coloque un paño grueso, suave, etc., sobre el suelo para evitar rayar el proyector.

Nota: "MÁX. M4 x 8" aparece indicado en los cuatro orificios de tornillo de la parte inferior del proyector. Tenga en cuenta que esta indicación no está destinada al adaptador del proyector de este producto.

PRECAUCIÓN

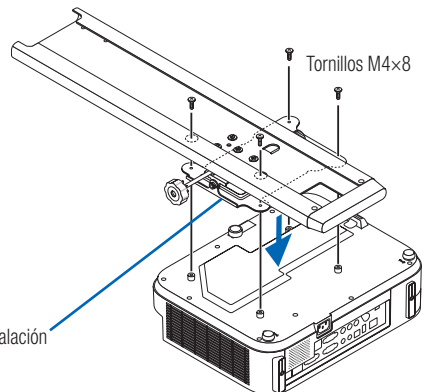
- No toque la ventana de proyección del proyector al instalar el proyector.



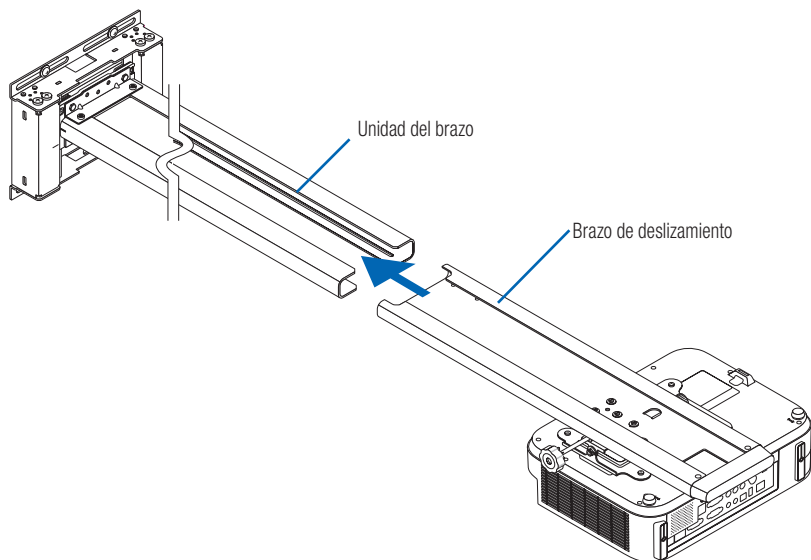
AVISO



- Instalar el proyector utilizando tornillos distintos a los suministrados podría dañar el proyector o provocar su caída y causar lesiones. Asegúrese de utilizar los tornillos suministrados.

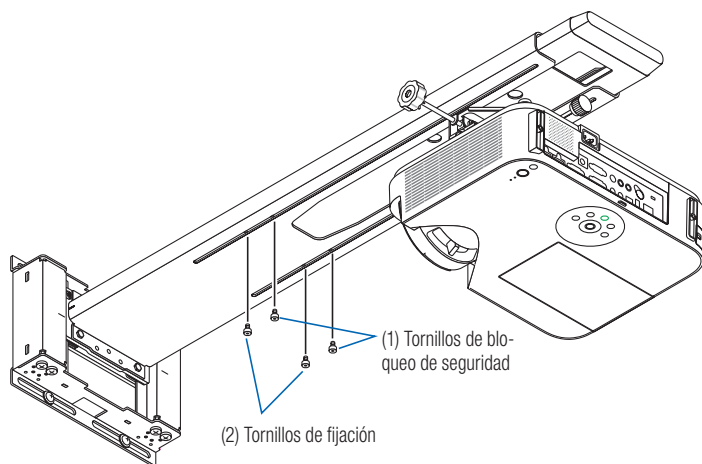


4. Introduzca el brazo de deslizamiento en la unidad del brazo del brazo.



5. Instale los tornillos de bloqueo de seguridad y los tornillos de fijación.

- (1) Utilice la llave hexagonal suministrada para apretar firmemente los dos tornillos de bloqueo de seguridad.
- (2) Deje los dos tornillos de fijación sueltos. Apriételes tras realizar los ajustes.



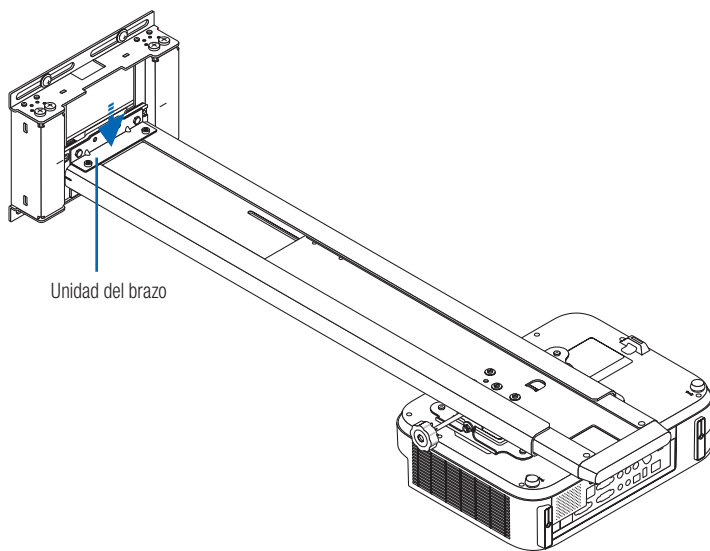
* Este diagrama muestra la vista desde abajo.

6. Realice el ajuste inicial de la posición vertical de la unidad del brazo.

La unidad del brazo sale de fábrica ajustada en la posición más alta.

Sujete la base del brazo y bájela totalmente una vez.

Con ello finaliza el ajuste inicial de la posición vertical de la unidad del brazo.



AVISO

- No extraiga tornillos de bloqueo de seguridad que no sean los de montaje. Hacerlo podría causar el desprendimiento y caída del brazo de deslizamiento y causar lesiones.
- Al descender el brazo para el ajuste, asegúrese de sujetarlo por su base. Si lo sujeta por cualquier otra posición mientras realiza el ajuste, el brazo podría dañarse o caer, causando lesiones.

7. Cableado

El cable de alimentación y el(los) cable(s) de señal pueden ser guiados a través del brazo de deslizamiento y del adaptador de pared.

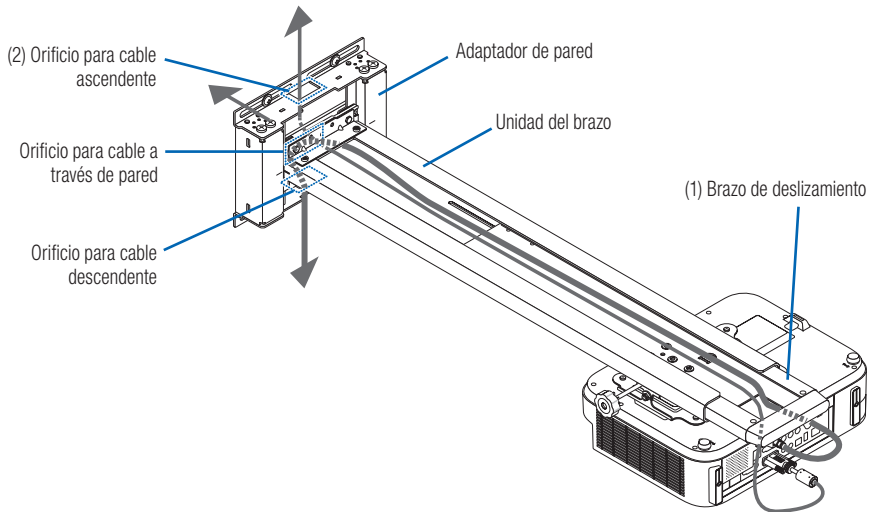
Hay un orificio para cable en el brazo de deslizamiento y tres orificios para cable en el adaptador de pared (ascendente, a través de pared y descendente).

Seleccione los orificios para cable a utilizar en conformidad con las condiciones del cableado.

- (1) Pase los cables a través del orificio para cable del brazo de deslizamiento y, a continuación, al extremo de la unidad del brazo.
- (2) Pase los cables a través del orificio para cable superior, inferior o medio del adaptador de pared.

PRECAUCIÓN

- Utilice un cable con la suficiente longitud para permitir el ajuste del brazo de deslizamiento.
- Si hay varios cables de señal, átelos juntos. Sin embargo, no los ate junto con el cable de alimentación. Hacerlo podría causar interferencias de ruido del suministro de alimentación.



Con ello finaliza la instalación del proyector.

Instale la cubierta para cables del proyector y las cubiertas del adaptador de pared tras ajustar la imagen proyectada.

Ajuste de la distorsión de la imagen proyectada

■ Antes del ajuste

Preparación del proyector

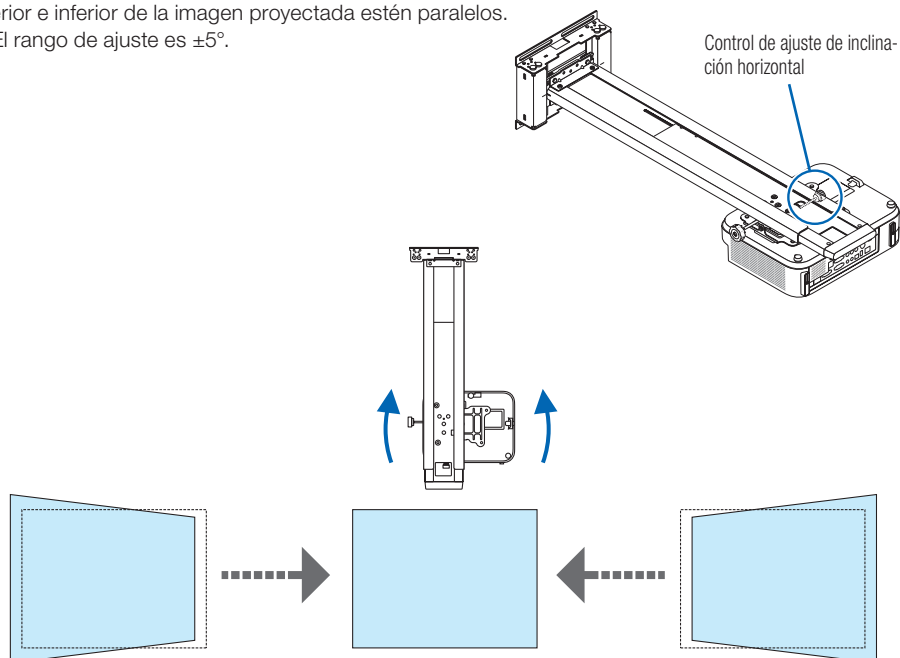
- Projete una imagen desde el proyector, a continuación mueva primero el anillo de enfoque del proyector para ajustar aproximadamente el enfoque de la imagen proyectada. Para más información sobre la proyección de imágenes, consulte “Proyección de una Imagen (Funcionamiento Básico)” en el Manual del usuario (CD-ROM) suministrado con el proyector.
- En “Instalación” o “Ajustes” del menú en pantalla, seleccione “Techo/Frontal” para el método de proyección.
- Para los proyectores con la función de patrón de prueba, el ajuste es más sencillo proyectando el patrón de prueba.

Los diagramas descriptivos únicamente indican cambios en la imagen proyectada para un ajuste cada vez. En circunstancias reales la distorsión es compuesta.

1. Ajuste la orientación del proyector en dirección horizontal.

Gire el control de ajuste de inclinación horizontal y realice el ajuste de modo que los extremos superior e inferior de la imagen proyectada estén paralelos.

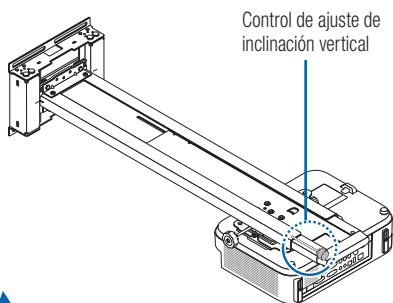
- El rango de ajuste es $\pm 5^\circ$.



2. Ajuste la inclinación del proyector en dirección vertical.

Gire el control de ajuste de inclinación vertical y realice el ajuste de modo que los extremos izquierdo y derecho de la imagen proyectada estén paralelos.

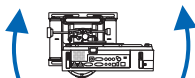
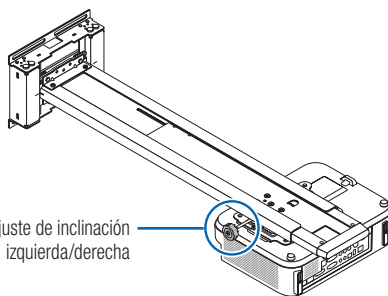
- El rango de ajuste es $\pm 5^\circ$.



3. Ajuste la inclinación del proyector en dirección rotacional.

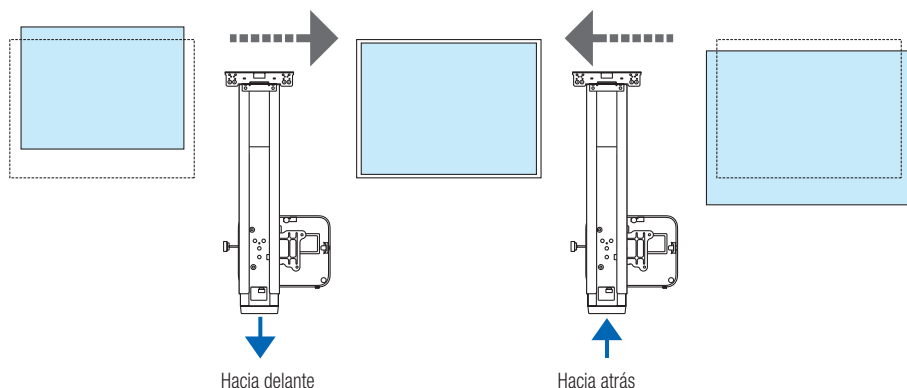
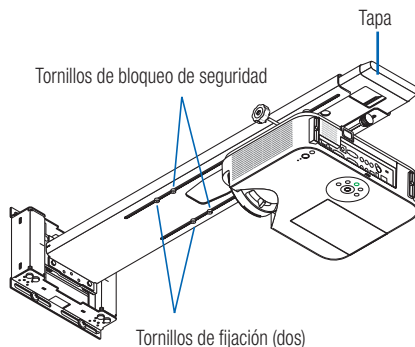
Gire el control de ajuste de inclinación izquierda/derecha y realice el ajuste de modo que la imagen sea paralela a la pantalla.

- El rango de ajuste es $\pm 5^\circ$.



4. Ajuste el tamaño de la imagen proyectada.

- (1) Afloje los dos tornillos de fijación de la unidad del brazo.
- (2) Sujetando la tapa del brazo de deslizamiento, mueva hacia delante o hacia atrás para proyectar la imagen en toda la pantalla.
 - Al instalarse siguiendo las instrucciones indicadas en "Distancia de proyección y tamaño de la pantalla", la imagen es proyectada en el centro aproximadamente.
 - El brazo de deslizamiento se mueve un máximo de 600 mm.
 - Teniendo en mente cambiar en el futuro la posición a la cual se ha ajustado la imagen proyectada, realice los ajustes de modo que la imagen proyectada sea ligeramente (unos 20 mm) menor que la pantalla.



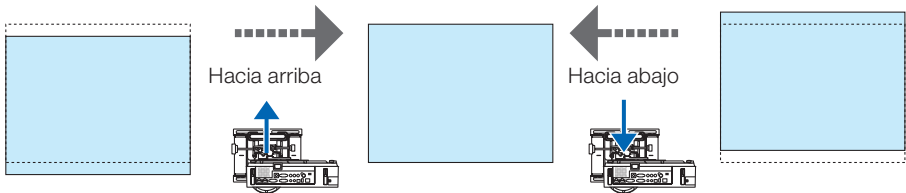
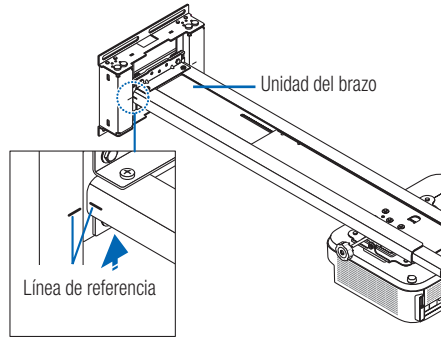
AVISO

- No extraiga tornillos de bloqueo de seguridad que no sean los de montaje. Hacerlo podría causar el desprendimiento y caída del brazo de deslizamiento y causar lesiones.

5. Ajustar en la dirección vertical.

Sujete la base del brazo y muévela hacia arriba con la línea de referencia como guía. Ajuste la imagen proyectada de manera que quede en el centro de la superficie de la pantalla.

- * Si la imagen proyectada se desplaza excesivamente hacia arriba en relación con la superficie de la pantalla, es más fácil realizar primero el ajuste sujetando la base del brazo y descendiendo el brazo, para luego volver a desplazarlo hacia arriba.
- La unidad del brazo utiliza un resorte motorizado para reducir la carga al moverlo hacia arriba.
- El rango de ajuste es ± 40 mm.



AVISO

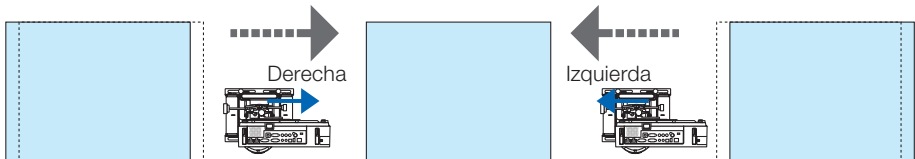
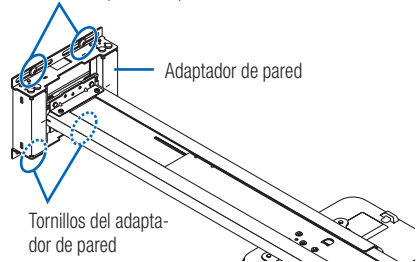
- Al descender el brazo para el ajuste, asegúrese de sujetarlo por su base. Si lo sujeta por cualquier otra posición mientras realiza el ajuste, el brazo podría dañarse o caer, causando lesiones.

6. Ajuste en la dirección horizontal.

Si la imagen proyectada está fuera de uno de los lados de la pantalla, afloje ligeramente los cuatro tornillos del adaptador de pared, a continuación deslice el adaptador de pared para ajustar.

- El rango de ajuste es ± 50 mm.

Tornillos del adaptador de pared



AVISO

- No afloje demasiado los tornillos. Hacerlo podría dañar el accesorio o hacer que caiga, causando lesiones.

7. Una vez realizados los ajustes, apriete firmemente todos los tornillos que han sido aflojados.

8. Instale las cubiertas al adaptador de pared.

La cubierta (A) y la cubierta (B) tienen la misma forma.

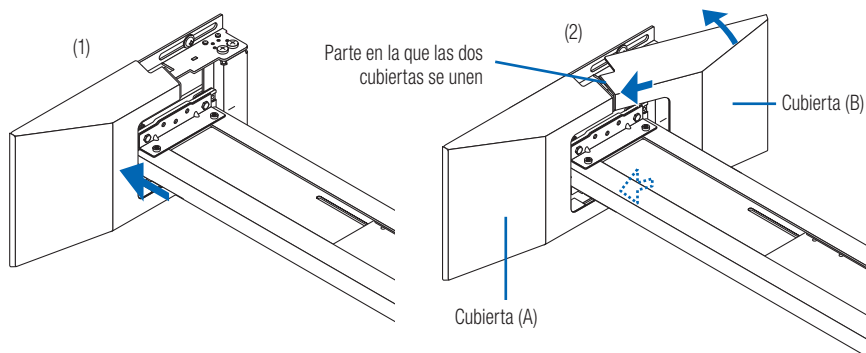
Instalación de las cubiertas

(1) Presione una de las cubiertas sobre el adaptador de pared.

- Las cuatro pestañas de la parte trasera de la cubierta encajan en las muescas del adaptador de pared, fijando así la cubierta en su posición.

(2) Introduzca la cubierta (B) desde un ángulo, a continuación gírela prestando atención a las pestañas.

- Las cuatro pestañas de la parte trasera de la cubierta encajan en las muescas del adaptador de pared, fijando así la cubierta en su posición.



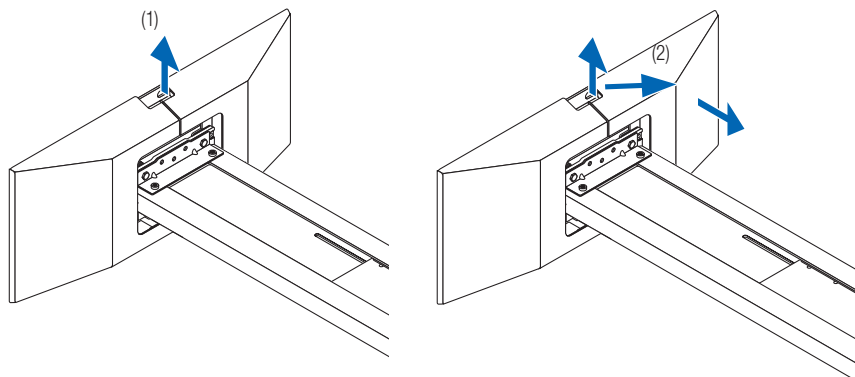
Extracción de las cubiertas

(1) Coloque un dedo en la apertura de la parte superior de la cubierta, a continuación eleve ligeramente hacia arriba para desenganchar las pestañas.

(2) Tire diagonalmente tal y como indican las flechas, a continuación mueva la cubierta hacia usted para extraerla. Extraiga la otra cubierta utilizando el mismo procedimiento.

PRECAUCIÓN

- No tire con fuerza si las pestañas de la parte trasera de la cubierta no están desenganchadas. Hacerlo podría dañar las pestañas.



9. Instale la cubierta para cables al proyector.

Para más información sobre la instalación de la tapa, consulte el Manual del usuario.



AVISO

- No ate el cable de alimentación con los otros cables ni lo coloque en el interior de la cubierta para cables. Hacerlo podría provocar incendios.

Con ello finaliza la instalación y los ajustes.

Especificaciones

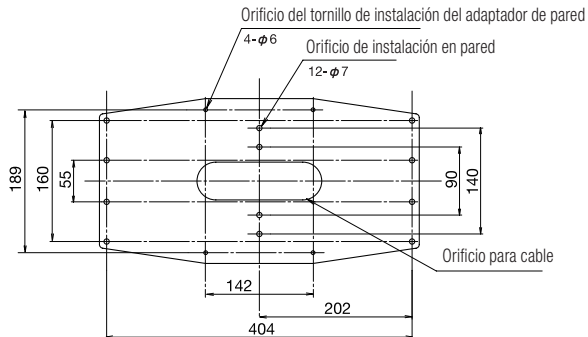
Nombre del producto	: Unidad de montaje de pared
Nombre del modelo	: NP05WK/NP05WK1
Ángulos ajustables	: Ángulo vertical – $\pm 5^\circ$; ángulo horizontal – $\pm 5^\circ$; ángulo de inclinación – $\pm 5^\circ$
Posiciones ajustables	: Delantera/trasera – 422; horizontal – ± 50 mm; vertical – ± 40 mm
Dimensiones externas	: 530 (An.) x 942 (Pr.) x 223 (Al.) mm (NP05WK1; 530 (An.) x 945 (Pr.) x 223 (Al.) mm)
Peso	: Aprox. 13,7 kg (NP05WK1: 15,5 kg)
Capacidad de carga	: 5,0 kg

Estas especificaciones y el diseño están sometidos a cambios sin previo aviso.

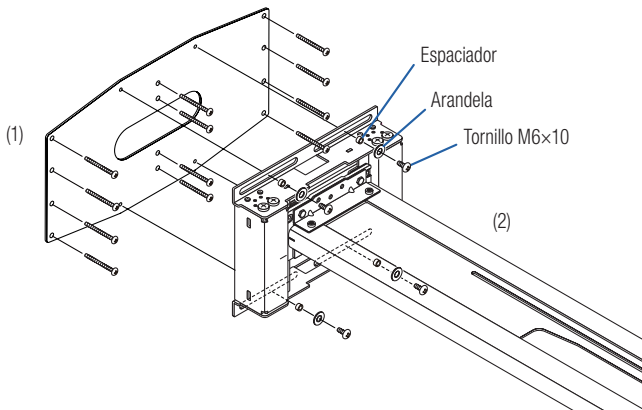
Uso de la placa de pared (NP05WK1 únicamente)

Al instalar el adaptador de pared con la placa de pared, perforo 16 orificios en la pared en las posiciones indicadas a continuación. Perfore los orificios con la profundidad y el diámetro adecuados a los tornillos a utilizar.

Esquema dimensional para las posiciones de los tornillos (unidades: mm)



- (1) Instale la placa de pared incluida en un miembro vertical en la pared utilizando los tornillos (o pernos) (en 12 ubicaciones).
- (2) Fije firmemente el adaptador de pared a la placa de pared utilizando los tornillos (M6x10), espaciadores y arandelas (4 ubicaciones) suministrados. Para más información acerca de las precauciones, etc., consulte la página SPA-8.



Unidade de Montagem na Parede

NP05WK/NP05WK1 Manual de Instalação e Ajuste

Obrigado por sua compra desta unidade NEC de montagem na parede.

Favor ler cuidadosamente este manual de instalação e ajuste para garantir o uso adequado.

Para uma lista de projetores que podem ser suportados, por favor, consulte o site ou os catálogos da NEC.

As ilustrações do projetor neste manual de instalação e ajuste são apenas para fins ilustrativos e podem diferir do formato do projetor a ser instalado.



Habilidades especiais são necessárias para instalar a unidade de montagem na parede. Este trabalho nunca deve ser executado pelo cliente.



Para o Revendedor e Instalador

Para assegurar a segurança do cliente, solicitamos que o trabalho de instalação se inicie depois de se prestar cuidadosa atenção à resistência do local da montagem a fim de garantir que ele aguentará o peso do projetor e ferragens da montagem.



CONTEÚDO

Por favor observe o seguinte	POR-2
Introdução	POR-4
Peças na Embalagem.....	POR-4
Nomes das Peças	POR-5
Dimensões das Peças	POR-6
Instalando o Projetor	POR-7
Ajuste da Distorção da Imagem Projetada.....	POR-12
Especificações	POR-18




Por favor observe o seguinte

● Símbolo




Neste “Manual de Instalação e Ajuste”, vários símbolos são usados a fim de garantir o uso adequado e seguro do produto, evitar ferimento a você e a outros, bem como danos à propriedade. Os símbolos e seus significados são os seguintes. Por favor leia este manual depois de confirmar que os conteúdos estejam bem entendidos.

 Aviso	Manuseio inadequado e ignorar esta indicação poderá resultar em lesões corporais como a morte, ferimentos graves e assim por diante.
 Atenção	Manuseio inadequado e ignorar esta indicação poderá resultar em lesão corporal e danos aos objetos nas imediações.









Examples of symbols:

	△ Símbolos que alertam para você ter cuidado (incluindo avisos) Os cuidados concretos são especificados nas figuras.
	⊘ Este símbolo representa ações proibidas Proibições concretas são especificadas nas figuras.
	● Símbolo que indica uma ação compulsória. Instruções concretas são especificadas nas figuras.





Aviso

-  Quando instalar o projetor e ajustar a posição da projeção, certifique-se de fazer isto como explicado neste manual. O projetor poderá cair e causar ferimentos se for instalado e ajustado inadequadamente.
-  Para evitar que o projetor caia, instale-o e prenda-o num local que garanta resistência suficiente para aguentar o peso combinado do projetor, da unidade de montagem na parede e assim por diante, por um longo período de tempo, bem como suportar tremores de terra. Resistência ou fixação insuficientes poderão resultar em queda do projetor e causar ferimentos.
Certifique-se de observar as precauções seguintes:
 - Para fixação na parede use parafusos e porcas M6 (1/4 de polegada) para o adaptador de parede.
 - Use uma tomada como fonte de energia para o projetor. Não conecte diretamente à linha da lâmpada porque isto é perigoso. Também use uma tomada acessível de modo que você possa ligar e desligar o plugue de força.
 - Montagem em uma parede de madeira
Certifique-se de que a carga seja montada num pilar ou em material de construção resistente. Se a resistência do material de construção e tudo mais for insuficiente, por favor, reforce-os. Não monte sobre material de acabamento de parede, fita de forração e assim por diante.
 - Montagem em uma parede de concreto
Use um parafuso chumbador comercial M6 (1/4 de polegada), porcas de fixação e similares que possam aguentar a carga do projetor.
-  Não instale em locais sujeitos a vibração constante. Vibração prolongada poderá provocar afrouxamento dos parafusos e resultar na queda da Unidade de Montagem de Parede e do projetor, causando ferimentos. Além disso poderá causar avaria do projetor.

Aviso

	<ul style="list-style-type: none">• Para garantir segurança, certifique-se de apertar com firmeza os pernos, parafusos e parafusos de trava de segurança.
	<ul style="list-style-type: none">• Não modifique quaisquer peças. Fazer isto poderá resultar na queda do projetor e da Unidade de Montagem de Parede e causar ferimentos.
	<ul style="list-style-type: none">• Não use peças quebradas. Fazer isto poderá resultar na queda do projetor e da Unidade de Montagem de Parede e causar ferimentos. Se uma peça se quebrar, consulte seu revendedor.
	<ul style="list-style-type: none">• Não olhe para dentro da janela de projeção, espelho ou lente quando o projetor estiver ligado.
	<ul style="list-style-type: none">• Não se pendure no projetor e na Unidade de Montagem de Parede. Fazer isto poderá resultar na queda do projetor e da Unidade de Montagem de Parede e causar ferimentos. Tenha cuidado especial com as crianças.
	<ul style="list-style-type: none">• Não use adesivos para os parafusos de trava, agente lubrificante, óleo, etc. para o adaptador de parede. Fazer isso pode causar que o material do adaptador de parede se deteriore e resulte na queda do projetor e causar ferimento.
	<ul style="list-style-type: none">• Nunca pendure nada no braço da unidade de montagem da parede. O braço poderá quebrar e cair e causar ferimentos.
	<ul style="list-style-type: none">• Certifique-se de segurar a base do braço antes de ajustar quando você estiver abaixando o braço. O braço pode quebrar e cair causando ferimentos se ele não estiver seguro pela base durante o ajuste.

Atenção

	<ul style="list-style-type: none">• Não obstrua os orifícios de ventilação do projetor. Fazer isto prejudicará a dissipação de calor e poderá resultar em incêndio. Particularmente, não use o projetor das seguintes maneiras: instalar o projetor num local tal como uma parede e similares onde a ventilação seja inadequada, cobri-lo, etc.
	<ul style="list-style-type: none">• Não instale o projetor na frente de saídas de um ar condicionado ou aquecedor, ou em lugares expostos a vibrações excessivas. Fazer isto poderá causar fogo ou choque elétrico.
	<ul style="list-style-type: none">• Não instale o projetor em lugares úmidos ou empoeirados, ou naqueles expostos a fumaça gordurosa ou vapor (tais como próximos a equipamentos de cozinha ou umidificadores). Fazer isto poderá provocar incêndio.
	<ul style="list-style-type: none">• Quando instalar o projetor deixe espaço suficiente entre ele e os objetos ao seu redor. Deixar de fazer isto prejudicará a dissipação de calor e poderá resultar em incêndio.

Por favor:

- Evite ambientes com muita fumaça de cigarro e fuligem, bem como poeira e umidade.
A sujeira poderá aderir às partes óticas tais como a lente e resultar na deterioração da qualidade da imagem.
- Evite locais nos quais a tela esteja diretamente exposta à luz do sol ou luz acesa.
Quando a luz ambiente atinge diretamente a tela a imagem aparecerá desbotada e difícil de ser vista.
- Evite locais expostos a temperaturas particularmente elevadas ou baixas.
Fazer isto poderá resultar em avaria. (Para a temperatura ambiente de operação, veja o manual do usuário incluído com o projetor.)

Introdução

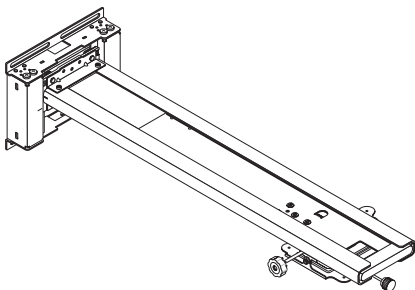
■ Peças na Embalagem

Verifique se as peças abaixo estão incluídas na embalagem.

Adaptador de parede: 1 conjunto

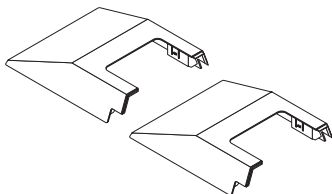
Braço deslizante: 1 conjunto

O adaptador de parede e o braço deslizante são montados quando do embarque.



Cobertura do adaptador de parede: 2

Estas são as coberturas para o adaptador de parede. As duas coberturas são iguais.



Parafusos M4x8 mm: 4

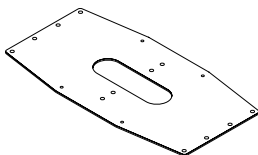
Estes são usados para montar o projetor.



Placa de parede: 1

Esta é usada para montar o adaptador de parede na região da América do Norte.

* Para os parafusos ou parafusos para montar o adaptador de parede na parede, use parafusos ou parafusos que sejam adaptados para a superfície da parede.



Parafusos M6x10 mm: 4

Estes são usadas para montar a placa de parede à unidade de montagem de parede.



Parafusos de fixação inclinados horizontalmente (A): 1 unidade

Arruela de pressão (B): 1 unidade

Arruela (C): 1 unidade



Para ser usado por aqueles que desejam corrigir a inclinação horizontal da tela depois de ajustá-la. Por favor, consulte o Guia de Instalação para o método de instalação.

Arruelas: 4



Espaçadores: 4



Estas são usadas para montar na parede o adaptador de parede.

* Para os parafusos ou parafusos para montar na parede o adaptador de parede, use parafusos ou parafusos que sejam adequados à superfície da parede.

Parafusos de fixação do ajuste da altura (D): 2 unidades



Para ser usado por aqueles que desejam fixar a altura do braço depois de ajustá-lo. Por favor, consulte o lado de trás do Guia de Instalação para o método de instalação.

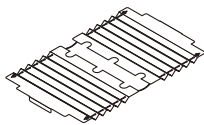
Chave hexagonal: 1

Esta é uma chave para apertar os parafusos da trava de segurança.



Cortina invisível: 1 peça

Para ser usada por aqueles que desejam esconder a base do braço. Por favor, consulte o verso da página do Guia de Instalação Rápida para o método de instalação.



Precauções na Instalação: 1

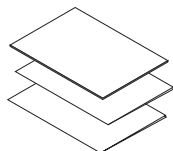
Estas incluem precauções de segurança na instalação da unidade de montagem na parede, uma lista das peças incluídas e as especificações.

Guia Rápido de Instalação: 1

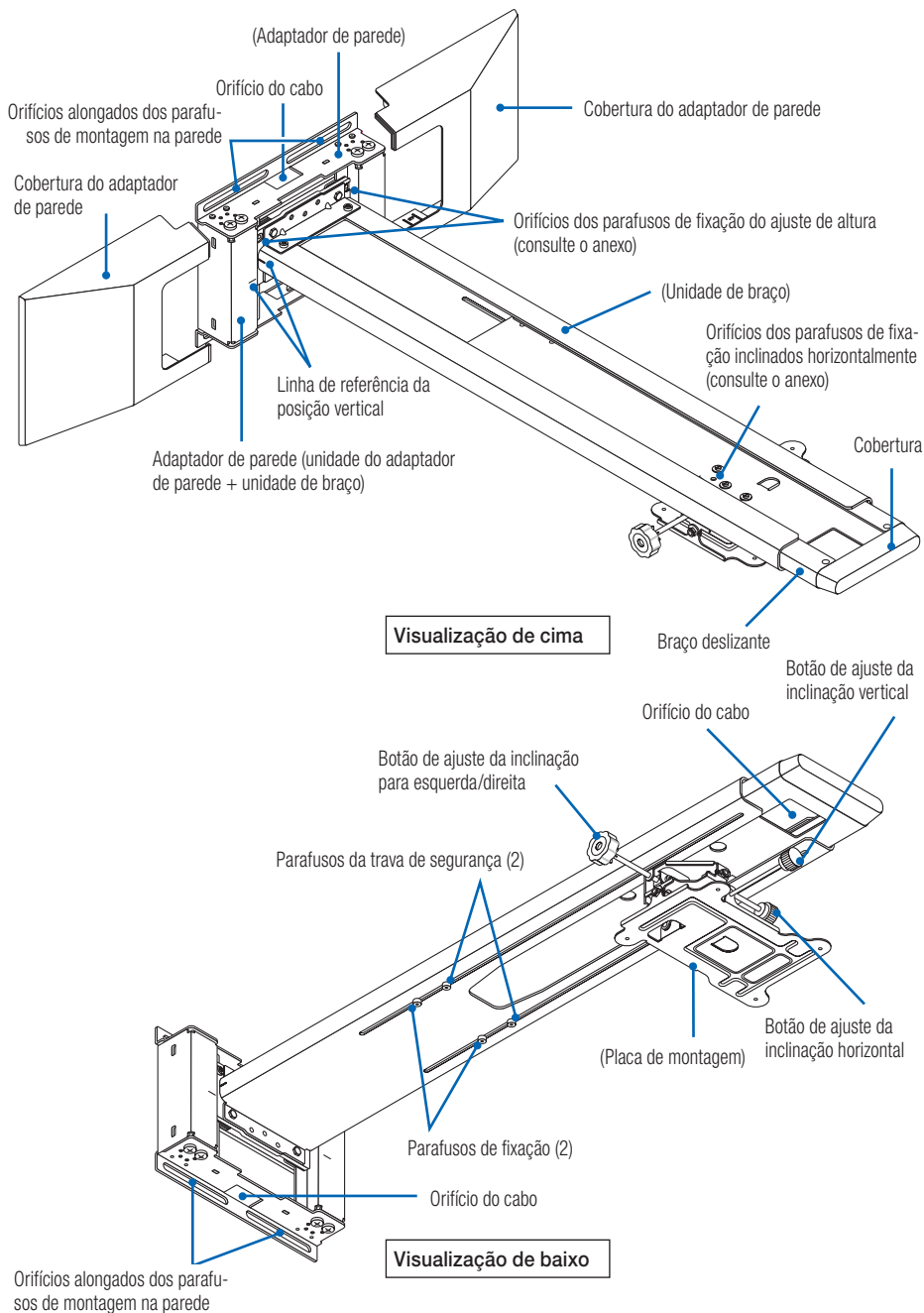
Este fornece uma descrição simples da instalação e procedimentos de ajuste.

Guia de Instalação: 1

O método de instalação dos parafusos de fixação inclinados horizontalmente e dos parafusos de fixação de ajuste da altura é apresentado aqui.



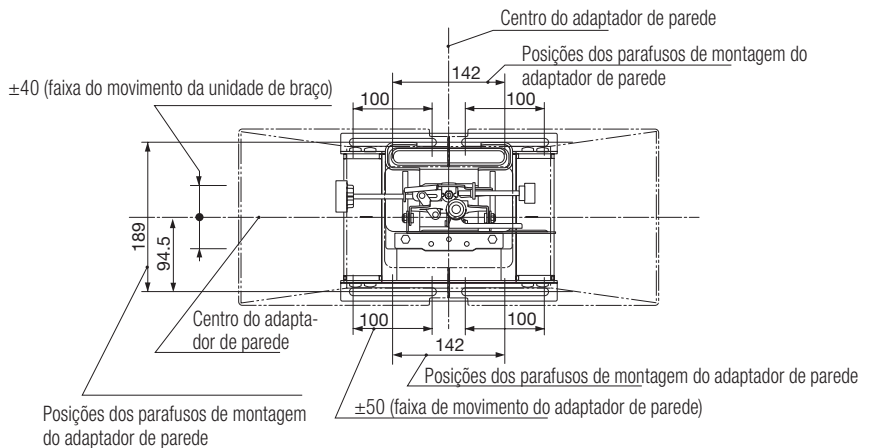
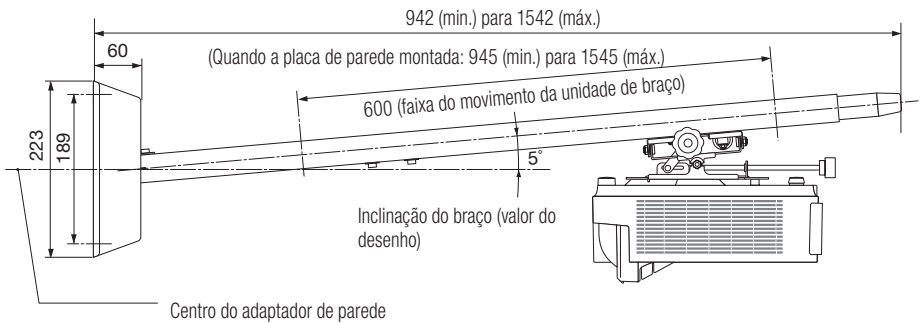
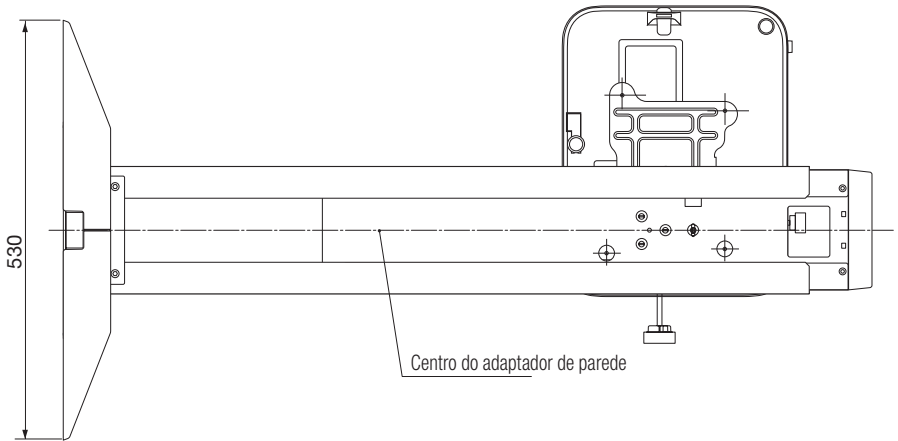
Nomes das Peças



■ Dimensões das Peças

O seguinte mostra uma visão externa da unidade de montagem na parede, as posições dos parafusos de montagem do adaptador de parede e a quantidade de movimento quando montar o projetor.

Unidades: mm



Instalando o Projetor

Antes de instalar

1. Considere o lugar onde a tela deverá ser instalada e determine a posição na qual a unidade de montagem na parede é para ser montada. (Consulte o Guia de Instalação Rápida)
 - Não é possível instalar de tal maneira que a imagem seja projetada em um ângulo. Posicione de tal modo que a imagem seja projetada diretamente para a frente.
2. Verifique se a posição de instalação atende as condições em “Certifique-se de ler antes de instalar” na página POR-2, destas instruções.
 - Porque o ângulo de elevação do eixo ótico do projetor é grande, pequenas mudanças na distância da projeção alterarão significativamente o tamanho e a posição da imagem projetada. Ainda mais, se a direção para a qual o projetor está voltado estiver desalinhada a distorção da imagem aumentará.

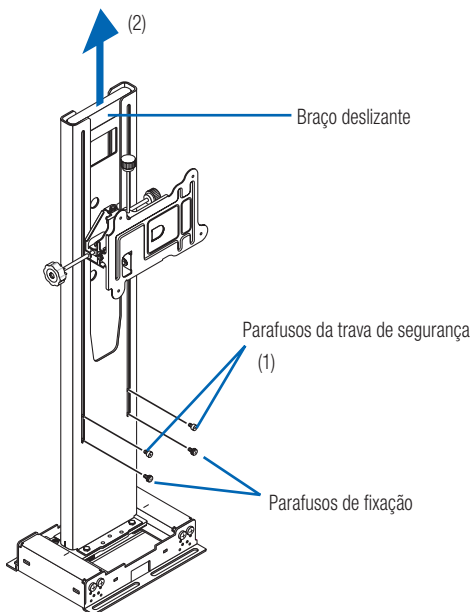
Preparações:

1. Prepare uma chave de parafuso Phillips (magnética) e a chave sextavada incluída.
2. Remova a cobertura do cabodo projetor. Para instruções veja as respectivas instruções operacionais.

1. Remova o braço deslizante.

O adaptador de parede e o braço deslizante são montados quando do embarque.

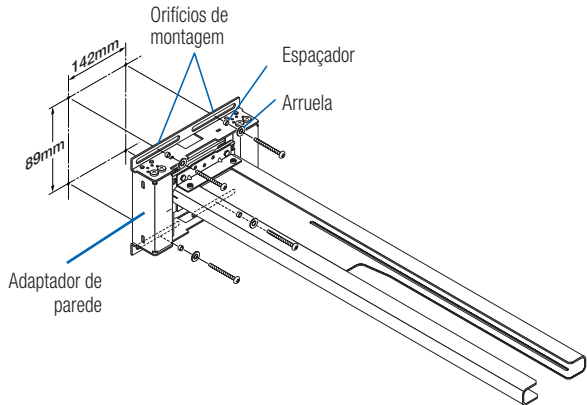
- (1) Remova os dois parafusos de fixação e os dois parafusos da trava de segurança.
- (2) Puxe o braço deslizante.



2. Fixe o adaptador de parede ao material estrutural da parede.

Use as arruelas e os espaçadores fornecidos para fixar o adaptador de parede com os parafusos (ou pernos) M6 fornecidos.

- Por favor, consulte o “Guia de Instalação Rápida” de anexos e POR-6 do “Dimensões das Peças” para a posição e dimensões da instalação na parede.
- Certifique-se de apertar os parafusos no centro dos orifícios de montagem, uma vez que eles servirão como pontos de referência para a posição horizontal.
- O adaptador de parede deve ser instalado na direção correta alto/baixo. Monte-o na direção mostrada no diagrama.
- A faixa de ajuste na posição horizontal é de ± 50 mm.



ATENÇÃO

- A montagem deve ser realizada por duas pessoas.



AVISO



- Assegure-se de usar parafusos ou pernos M6 (1/4 de polegada) para apertar a base do adaptador de parede (4 lugares). Usar qualquer coisa diferente de parafusos (ou pernos) M6 poderá resultar na queda do projetor e causar ferimentos.

3. Prenda o projetor na chapa de montagem.

Alinhe os orifícios dos parafusos na chapa de montagem com os orifícios dos parafusos na base do projetor e aperte firmemente os quatro parafusos M4x8 incluídos.

- Coloque um tecido grosso, macio, etc., no chão para proteger o projetor contra riscos.

Nota: “MAX.M4 x 8” está indicado nos quatro orifícios dos parafusos na parte de baixo do projetor. Note que esta indicação não é para o adaptador do projetor deste produto.

ATENÇÃO

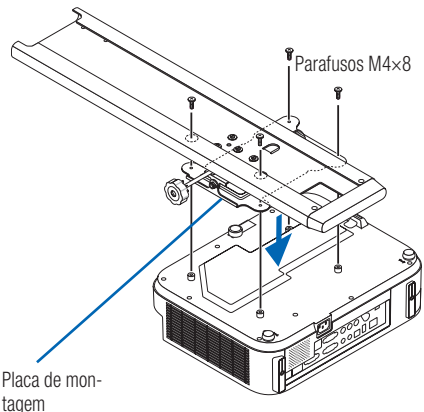
- Tenha cuidado para não tocar na janela de projeção do projetor quando montá-lo.



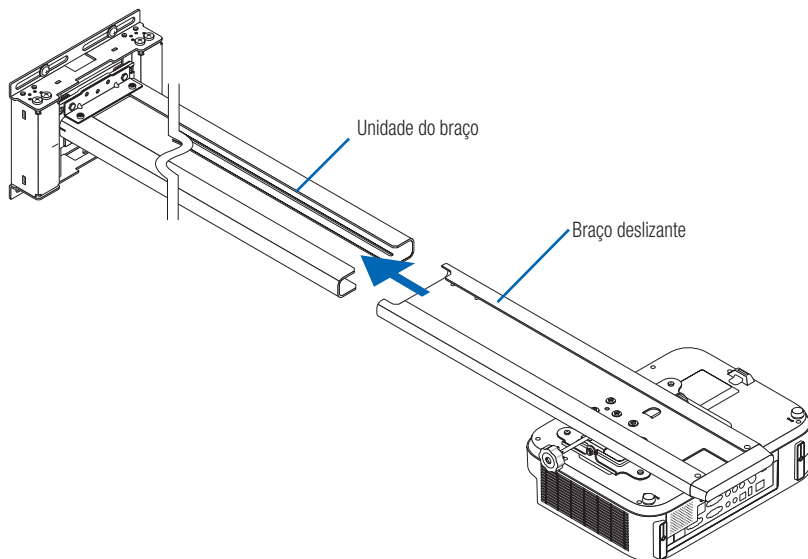
AVISO



- Montar o projetor usando parafusos diferentes dos que foram fornecidos poderá danificar o projetor ou resultar que ele caia e cause ferimentos. Certifique-se de usar os parafusos fornecidos.

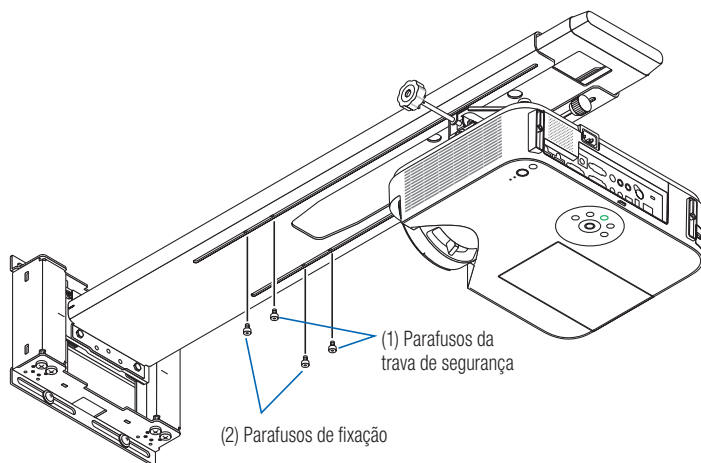


4. Insira o braço deslizante na unidade de braço.



5. Instale os parafusos da trava de segurança e parafusos de fixação.

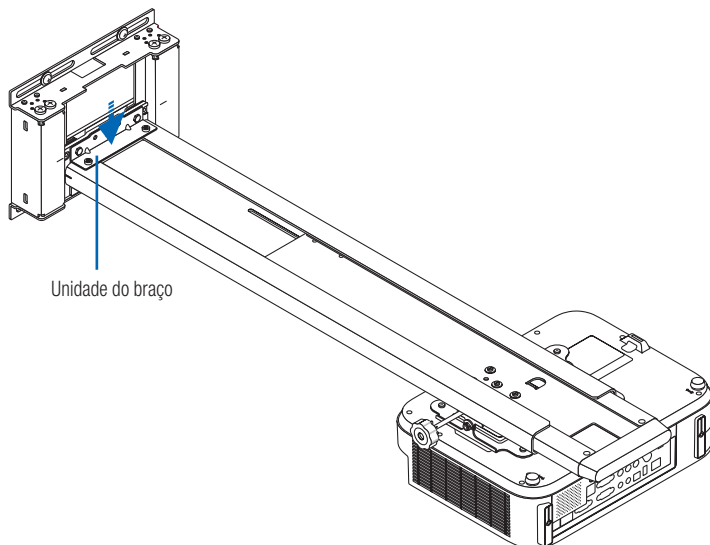
- (1) Use a chave hexagonal incluída para apertar com firmeza os dois parafusos da trava de segurança.
- (2) Deixe soltos os dois parafusos de fixação. Aperte-os depois que tenham sido feitos os ajustes.



* Este diagrama é como visto de baixo.

6. Faça os ajustes iniciais da unidade de braço na posição vertical.

No momento do embarque na fábrica a unidade de braço fica ajustada na posição mais alta. Segure a base do braço e abaixe-o uma vez totalmente. Isto completa os ajustes iniciais da unidade de braço na posição vertical.



AVISO

- Não remova os parafusos da trava de segurança, a não ser para a montagem. Fazer isso poderá provocar que o braço deslizante se solte e caia, resultando em ferimentos.
- Quando baixar o braço para ajuste, certifique-se de segurá-lo em sua base. Se for segurado em qualquer outra posição, enquanto estiver realizando os ajustes, o braço poderá ser danificado ou cair, resultando em ferimentos.

7. Cabeamento

O cabo de alimentação e o(s) cabo(s) de sinal podem ser passados através do braço deslizante e do adaptador de parede.

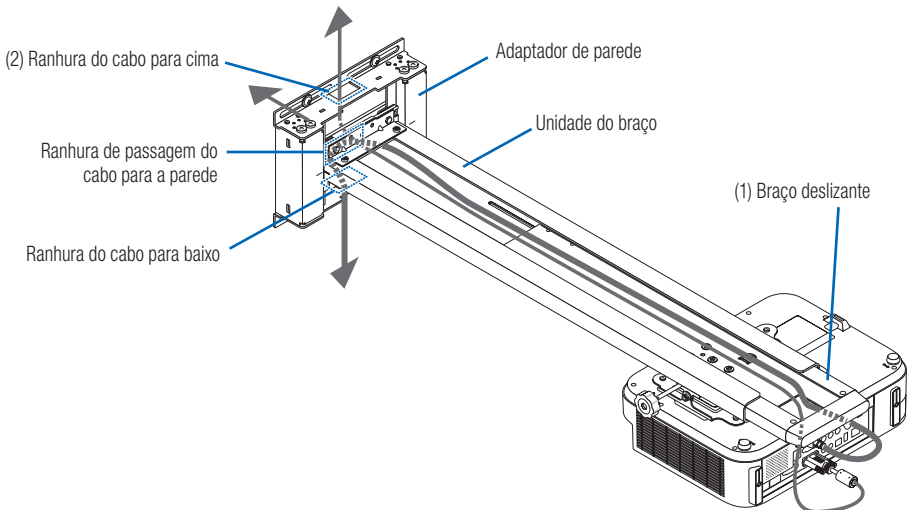
Há uma ranhura para o cabo no braço deslizante e três ranhuras no adaptador de parede (para cima, através para a parede e para baixo).

Selecione as ranhuras dos cabos a serem utilizadas de conformidade com as condições do cabeamento.

- (1) Passe os cabos através da ranhura no braço deslizante e depois para a ponta da unidade de braço.
- (2) Passe os cabos através das ranhuras superior, inferior ou do meio no adaptador de parede.

ATENÇÃO

- Forneça suficiente comprimento de cabo para permitir o ajuste do braço deslizante.
- Onde houver múltiplos cabos de sinal, reúna-os num feixe. Porém não os reúna com o cabo de alimentação. Fazer isso poderá causar interferência de ruído do cabo de alimentação.



Isto completa a instalação do projetor.

Monte a cobertura do cabo do projetor as coberturas do adaptador de parede depois de ajustar a imagem projetada.

Ajuste da Distorção da Imagem Projetada

■ Antes de Ajustar

Preparando o Projetor

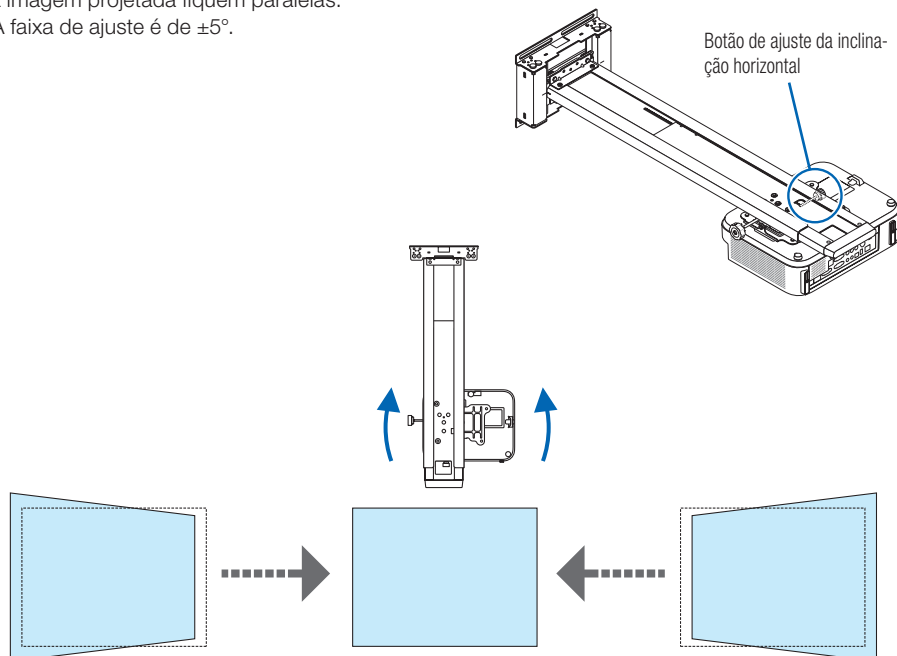
- Projete uma imagem a partir do projetor, então, primeiro mova o anel de foco do projetor para ajustar aproximadamente o foco da imagem projetada. Para obter instruções sobre como projetar as imagens, veja “Projetando Imagens (Operação Básica)” no manual do usuário (CD-ROM) fornecido com o projetor.
- Em “Instalação” ou “Ajustes” no menu na tela, selecione “Teto/Frente” para o método de projeção.
- Para projetores com uma função padrão de teste, o ajuste é mais fácil projetando o padrão de teste.

Os diagramas descritivos apenas indicam mudanças na imagem projetada, para um ajuste de cada vez. Em circunstâncias reais a distorção é composta.

1. Ajuste a orientação do projetor na direção horizontal.

Gire o botão de ajuste da inclinação horizontal e acerte de modo que as bordas superior e inferior da imagem projetada fiquem paralelas.

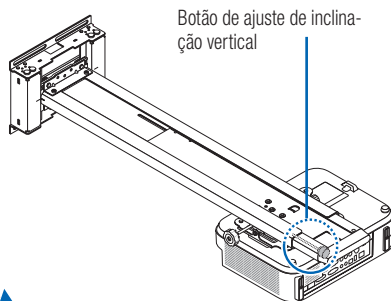
- A faixa de ajuste é de $\pm 5^\circ$.



2. Ajuste a orientação do projetora direção horizontal.

Gire o botão de ajuste da inclinação vertical e acerte de modo que as bordas esquerda e direita da imagem projetada fiquem paralelas.

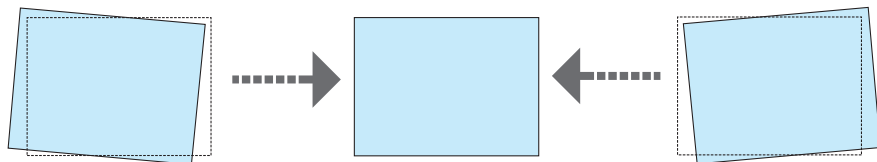
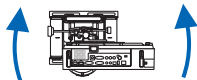
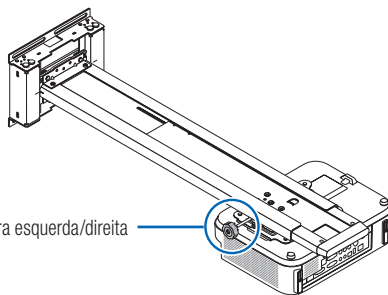
- A faixa de ajuste é de $\pm 5^\circ$.



3. Ajuste a inclinação do projetora direção de rotação.

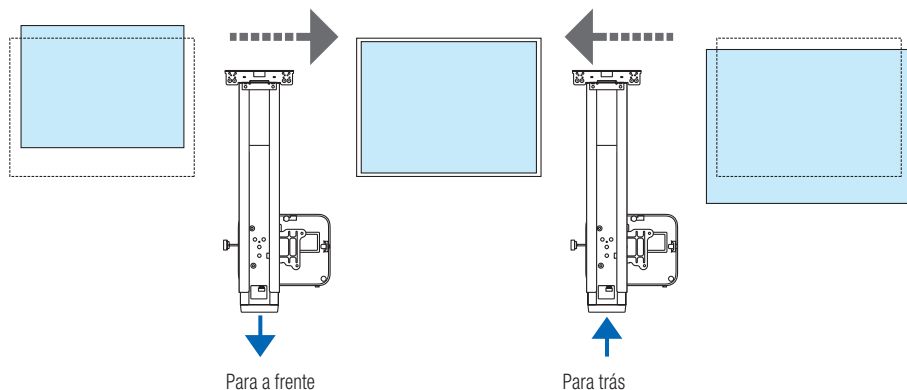
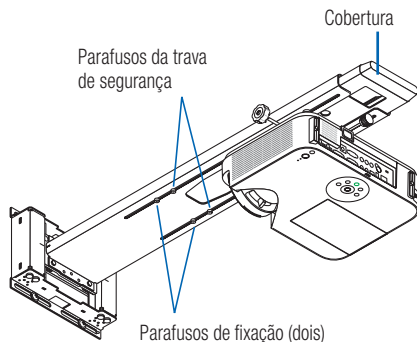
Gire o botão de ajuste esquerda/direita e acerte de modo que a imagem fique paralela à tela.

- A faixa de ajuste é de $\pm 5^\circ$.



4. Ajuste do tamanho da imagem projetada.

- (1) Afrouxe os dois parafusos (B) de fixação do braço da unidade.
- (2) Segurando a coberturado braço deslizante, mova para a frente ou para trás para projetar a imagem sobre a tela inteira.
 - Quando instalar seguindo as instruções em "Distância de Projeção e Tamanho da Tela", a imagem é projetada aproximadamente no centro.
 - O braço deslizante se move um máximo de 422 mm.
 - Tendo em consideração a mudança ao longo do tempo da posição para a qual a imagem projetada é ajustada, defina de modo que a imagem projetada seja ligeiramente (aproximadamente 20 mm) menor do que a tela.



AVISO

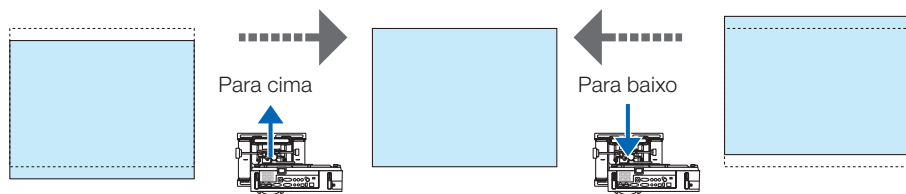
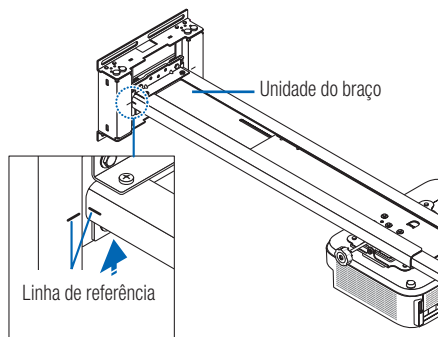
- Não remova os parafusos da trava de segurança, a não ser para a montagem. Fazer isso poderá provocar que o braço deslizante se solte e caia, resultando em ferimentos.

5. Ajuste na direção vertical.

Segure a base do braço e mova-o para cima tendo a linha de referência como guia. Ajuste a imagem projetada de modo que ela fique no centro da superfície da tela.

* Se a imagem projetada se mover muito para cima em relação à superfície da tela, ficará mais fácil ajustar primeiro segurando a base do braço e abaixando-o e depois movendo-o de volta para cima.

- A unidade de braço usa o poder de mola para reduzir a carga quando movê-la para cima.
- A faixa de ajuste é de ± 40 mm.



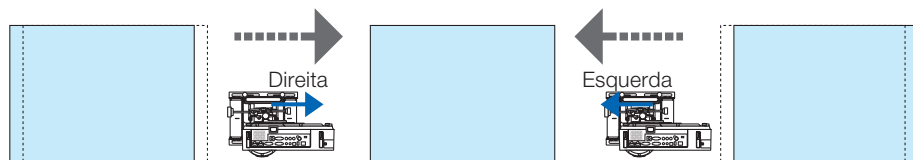
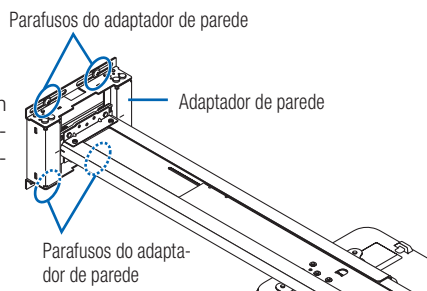
AVISO

- Quando baixar o braço para ajuste, certifique-se de segurá-lo em sua base. Se for segurado em qualquer outra posição, enquanto estiver realizando os ajustes, o braço poderá ser danificado ou cair, resultando em ferimentos.

6. Ajuste na direção horizontal.

Se a imagem projetada estiver fora da tela para um dos lados, desaperte ligeiramente os quatro parafusos do adaptador de parede, então deslize o adaptador de parede para ajustar.

- A faixa de ajuste é de ± 50 mm.



AVISO

- Não afrouxe demais os parafusos. Fazer isso poderá danificar o encaixe ou provocar sua queda, resultando em ferimento.

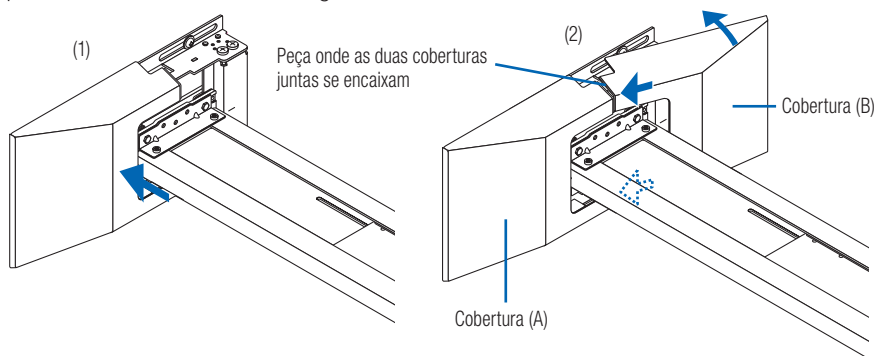
7. Uma vez que os ajustes estejam completos, aperte firmemente todos os parafusos que foram afrouxados.

8. Instale as coberturas para o adaptador de parede.

Cobertura (A) e cobertura (B) têm o mesmo formato.

Fixando as coberturas

- (1) Empurre uma das coberturas para dentro do adaptador de parede.
 - As quatro guias na parte de trás da cobertura se encaixam nos entalhes do adaptador de parede, fixando a cobertura no lugar.
- (2) Insira a cobertura (B) a partir de um ângulo, depois gire-a, prestando atenção nas abas.
 - As quatro guias na parte de trás da cobertura se encaixam nos entalhes do adaptador de parede, fixando a cobertura no lugar.

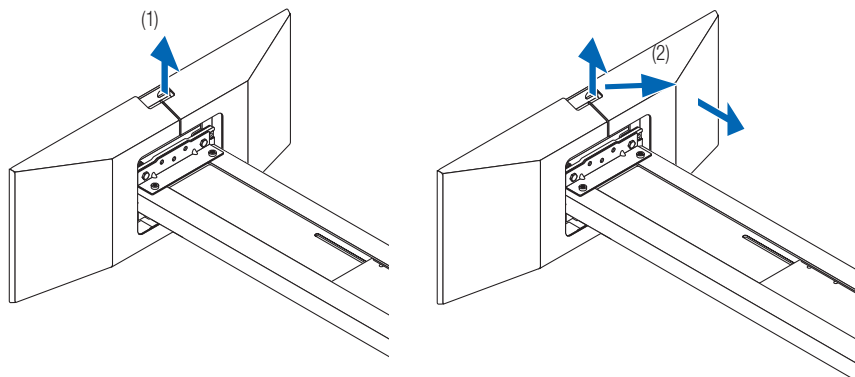


Remoção das coberturas

- (1) Ponha um dedo dentro da abertura no alto da cobertura, depois levante-a ligeiramente para desengatar as guias.
- (2) Puxe diagonalmente, como indicado pelas setas, depois mova a cobertura em sua direção para removê-la. Remova a outra cobertura usando o mesmo procedimento. Remova a outra cobertura usando o mesmo procedimento.

ATENÇÃO

- Não puxe com força se as guias na parte de trás da cobertura não estiverem desenganchadas. Fazer isto poderá danificar as guias.



9. Instale a cobertura do cabo para o projetor.

Para obter instruções sobre como colocar a tampa, veja o manual do usuário.



AVISO

- Não prenda o cabo de alimentação junto com os demais cabos e ponha-o sob a cobertura dos cabos. Fazer isto poderá provocar incêndio.

Isto completa a instalação e ajuste.

Especificações

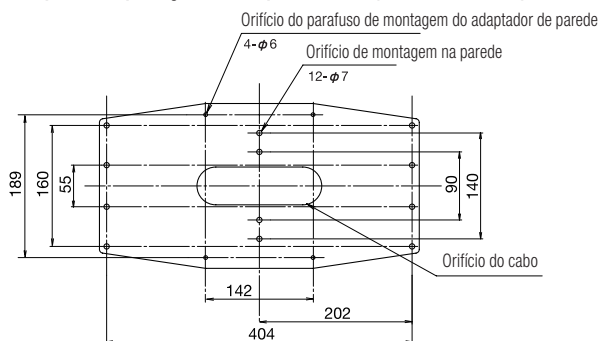
Nome do produto	: Unidade de montagem na parede
Nome do modelo	: NP05WK/NP05WK1
Ângulos ajustáveis	: Ângulo vertical – $\pm 5^\circ$; Ângulo horizontal – $\pm 5^\circ$; Ângulo inclinado – $\pm 5^\circ$
Posições ajustáveis	: Frente/trás – 422; Horizontal – ± 50 mm; Vertical – ± 40 mm
Dimensões externas	: 530 (L) x 942 (C) x 223 (A) mm (NP05WK1); 530 (L) x 945 (C) x 223 (A) mm
Peso	: Aprox. 13,7 kg (NP05WK1: 15,5 kg)
Capacidade de carga	: 5,0 kg

Estas especificações e o design estão sujeitos a alteração sem aviso prévio.

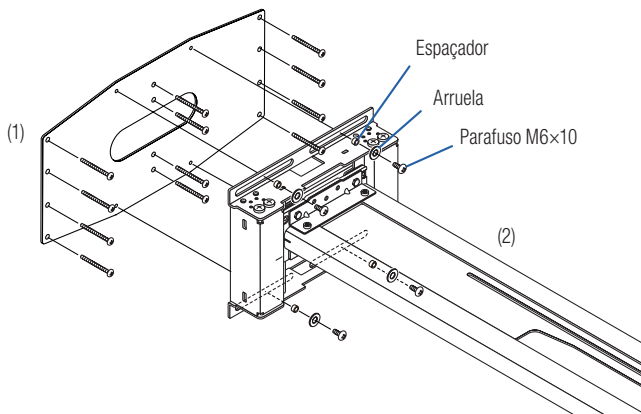
Usando a placa de parede (apenas NP05WK1)

Quando colocar o adaptador de parede usando a chapa de parede, faça 16 furos na parede, nas posições indicadas abaixo. Faça os furos com a devida profundidade e diâmetro para os parafusos que serão usados.

Desenho dimensional para as posições dos parafusos (unidades: mm)



- (1) Prenda a placa de parede incluída a um membro vertical da parede usando parafusos (ou pernos) (em 12 locais).
- (2) Aperte com firmeza o adaptador de parede à placa de parede usando os parafusos incluídos (M6x10), espaçadores e arruelas (4 locais). Para cuidados, etc., veja a página POR-8.



Настенное крепление для проектора

NP05WK/NP05WK1 Инструкция по установке и регулировке

Благодарим Вас за приобретение данного настенного крепления для проектора NEC. Внимательно ознакомьтесь с данной инструкцией по установке и регулировке крепления для его надлежащего использования.

Для ознакомления со списком поддерживаемых проекторов, см. веб-сайт NEC или каталоги NEC.

Иллюстрации проектора в настоящем руководстве по установке и настройке приведены в только качестве примера и могут несколько отличаться от устанавливаемого проектора.



Для установки настенного крепления необходимы специальные навыки. Покупатель не должен выполнять данную работу.



Для дилера и установщика

Убедитесь в безопасности покупателя, прежде чем начать установку; уделите особое внимание прочности места установки, убедившись, что оно выдержит вес проектора и элементов крепления.



СОДЕРЖАНИЕ

Меры безопасности.....	RUS-2
Введение.....	RUS-4
Составляющие комплекта.....	RUS-4
Названия деталей.....	RUS-5
Размеры деталей.....	RUS-6
Установка проектора.....	RUS-7
Регулировка искажения проецируемого изображения.....	RUS-12
Технические условия.....	RUS-18

Меры безопасности

● Предупреждающие знаки

В данной «Инструкции по установке и регулировке» используются различные символы, позволяющие безопасно и должным образом использовать данное изделие, предотвратить нанесение вреда самому себе и окружающим и не нанести урон собственности. Ниже приведены символы и их значения. Прочтите эту инструкцию, убедившись, что хорошо поняли содержание.

 Предупреждение	Ненадлежащее обращение и игнорирование данного указания может привести к телесному повреждению, такому как смерть, серьезная травма и т.д.
 Внимание!	Ненадлежащее обращение и игнорирование данного указания может привести к физическим травмам и нанесению вреда окружающему.

Примеры символов:



△ Символ призывает быть внимательным (предупреждая)

В знаках указаны определенные предупреждения.



⊘ Символ выражает запрещенные действия

В знаках указаны определенные запреты.



● Символ выражает обязательные действия.

В знаках указаны определенные инструкции.



Предупреждение



- Производите установку и регулировку положения проектора так, как это описано в данной инструкции. Проектор может упасть и стать причиной травм, если он не установлен и не отрегулирован должным образом.

- Чтобы проектор не упал, установите и прикрепите его, учитывая необходимую прочность для удержания общего веса (вес проектора и вес настенного крепления для проектора) в течение длительного времени, а также он должен выдержать землетрясения. Недостаточная прочность или способ крепления может привести к падению проектора и вызвать травму.

Соблюдайте следующие меры предосторожности:

- Для фиксации в стене используйте болты и шурупы М6 (1/4 дюйма) для настенного держателя.



- Для проектора в качестве источника питания используйте розетку. Не подсоединяйте его напрямую к линии освещения, т.к. это опасно. Также розетка должна быть доступной, чтобы можно было подсоединить и отсоединить вилку.

- Установка на деревянной стене

Убедитесь, что нагрузка приходится на опорный или прочный строительный материал. Если строительный материал и все остальное недостаточно прочные выполните усиление. Не устанавливайте на настенный отделочный материал, обрешетину и т.д.









- Установка на бетонной стене

Приобретите анкерный болт М6 (1/4 дюйма), анкерные гайки или что-то подобное, что сможет выдержать нагрузку проектора.





- Не устанавливайте в местах, подверженных постоянной вибрации. Длительная вибрация может привести к ослаблению шурупов, что повлияет на настенное крепление проектора, проектор упадет и нанесет вред. Также это может привести к поломке проектора.

Предупреждение

-  • Для безопасности надежно затяните болты, шурупы и предохранительные винты. Несоблюдение этого условия может привести к падению проектора и вызвать травму.
-  • Не вносите изменений в детали. В результате проектор и настенное крепление проектора могут упасть и нанести вред.
-  • Не используйте сломанные детали. В результате проектор и настенное крепление проектора могут упасть и нанести вред. В случае поломки обратитесь к своему дилеру.
-  • Не заглядывайте в проекционное окно, зеркало или объектив при работе проектора. Это может повредить зрение.
-  • Не вешайте ничего на проектор и настенное крепление для проектора. В результате проектор и настенное крепление проектора могут упасть и нанести вред. Будьте особенно внимательны с детьми.
-  • Не используйте клей с крепежными болтами, смазывающее средство, масло и т.д. для настенного держателя. Это может привести к разрушению материала настенного держателя, в результате чего проектор может упасть и нанести вред.
-  • Не вешайте ничего на кронштейн настенного крепления. Кронштейн может сломаться и упасть, и стать причиной травм.
-  • Обязательно придерживайте основание кронштейна при его опускании перед регулировкой. Кронштейн может сломаться и упасть, что может стать причиной травм, если он не придерживается за основание во время регулировки.

Внимание!

-  • Не закрывайте вентиляционные отверстия проектора. Это мешает теплу рассеиваться и может стать причиной пожара. В особенности, не используйте проектор в следующих случаях:
если проектор установлен в таком месте на стене, где вентиляция очень слабая или вообще закрыта, и т.д.
-  • Не устанавливайте проектор напротив выходных отверстий кондиционера воздуха или обогревателя, или в местах, подверженных постоянной вибрации. Это может привести к пожарам и поражению электрическим током.
-  • Не устанавливайте проектор во влажных или пыльных местах или местах, подверженных воздействию сильного дыма или пара (например, возле оборудования для приготовления пищи или увлажнителей). Это может привести к пожарам.
-  • Во время установки проектора оставьте достаточное количество пространства между проектором и окружающими объектами. Несоблюдение данного условия мешает теплу рассеиваться и может стать причиной пожара.

Пожалуйста:

- Пожалуйста, избегайте помещений с большим количеством сигаретного дыма и копоти от ламп, а также пыли и влаги.
Грязь может пристать к оптическим компонентам, таким как объектив, и стать причиной снижения качества изображения.
- Избегайте мест, где экран будет подвержен воздействию прямых солнечных лучей или прямого освещения.
Когда окружающий свет падает прямо на экран, изображение теряет контрастность, и его трудно рассмотреть.
- Избегайте помещений, подверженных чрезвычайно высоким или низким температурам. Это может привести к поломке. (Для получения информации о рабочей температуре окружающей среды, см. руководство пользователя, приложенное к этому проектору).

Введение

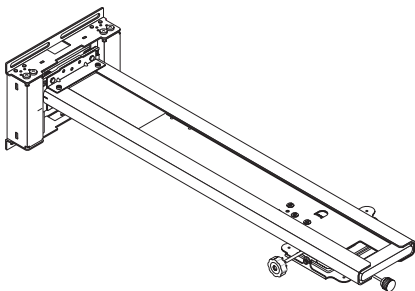
■ Составляющие комплекта

Убедитесь, что в комплект поставки входят указанные ниже детали.

Настенный держатель 1 шт.

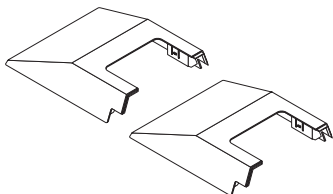
Направляющая: 1 шт.

Монтаж настенного держателя и направляющей выполняется при поставке.



Крышка настенного держателя: 2.

Эти крышки предназначены для настенного держателя. Данные крышки идентичны.



Винты М4х8 мм: 4.

Используются для установки проектора.



Винты М6х10 мм: 4.

Данные детали используются для монтирования настенной пластины на стену.

Наклоненные по горизонтали крепежные винты (А): 1 шт.

Пружинная шайба (В): 1 шт.

Шайба (С): 1 шт.

Для использования теми, кто желает зафиксировать наклон экрана по горизонтали после его регулировки. Пожалуйста, см. Руководство по установке для получения информации о способе установки.



Шайбы: 4.

Прокладки: 4.

Данные детали используются для монтирования настенного держателя на стену.

* Для монтирования настенного держателя на стену следует использовать болты или винты, пригодные для использования на поверхности стен.



Крепежные винты для регулировки высоты (D): 2 шт.

Для использования теми, кто желает зафиксировать высоту кронштейна после его регулировки. Пожалуйста, см. Руководство по установке для получения информации о способе установки.



Шестигранный ключ: 1.

Данный ключ используется для затяжки предохранительных винтов.

Жалюзи: 1 шт.

Для использования теми, кто желает замаскировать основание кронштейна. Пожалуйста, см. последнюю страницу Краткого руководства по установке для получения информации о способе установки.



Меры предосторожности при установке: 1.

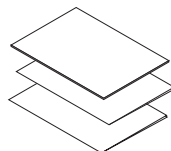
Сюда входят меры предосторожности при установке настенного крепления, список комплектующих и технические характеристики.

Краткое руководство по установке: 1.

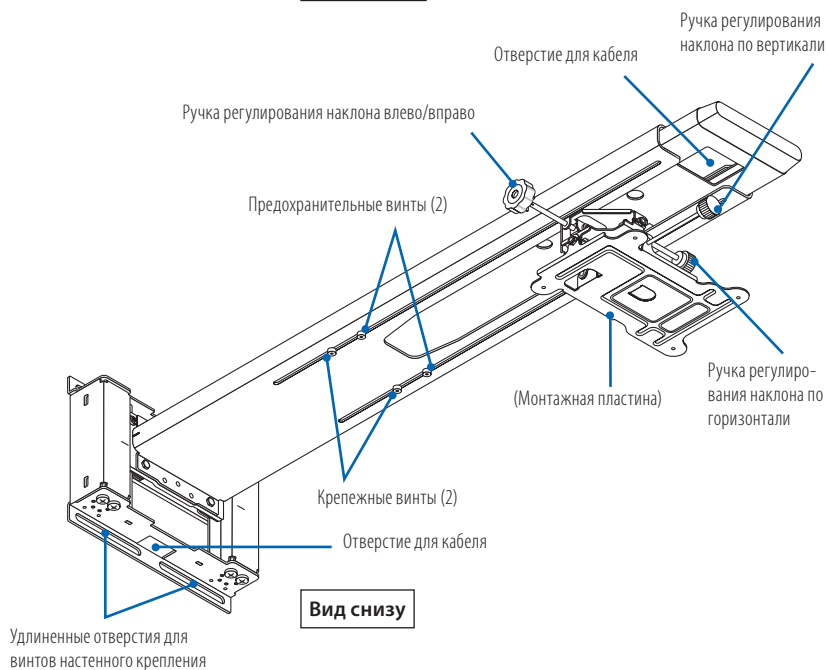
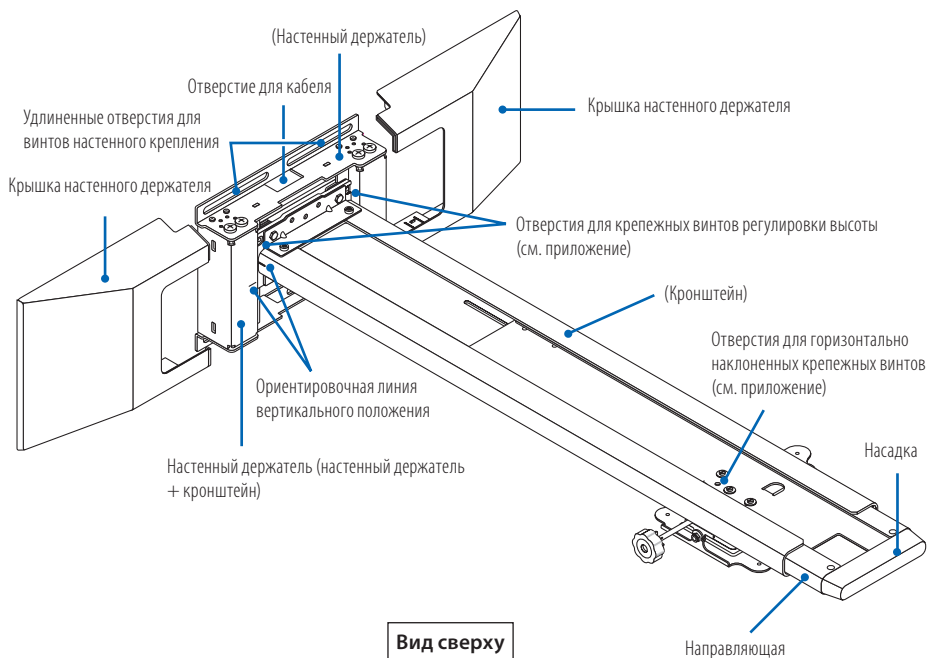
Содержит простое описание процедуры установки и регулировки.

Руководство по установке: 1

Способ установки горизонтально наклоненных крепежных винтов и крепежных винтов регулировки высоты представлен ниже.



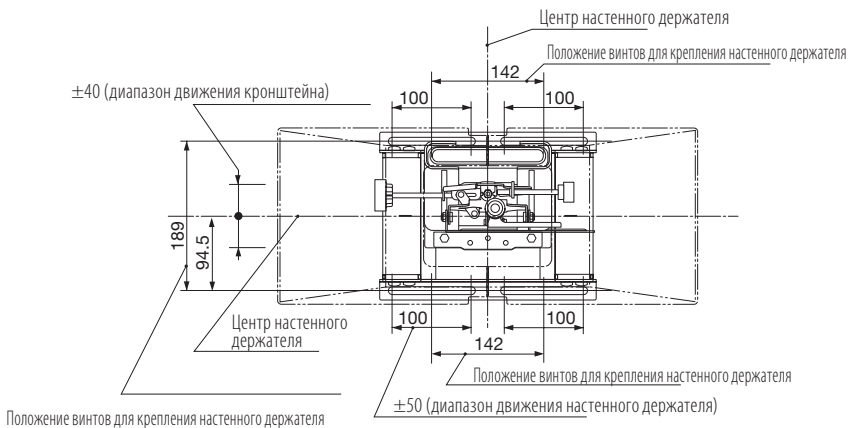
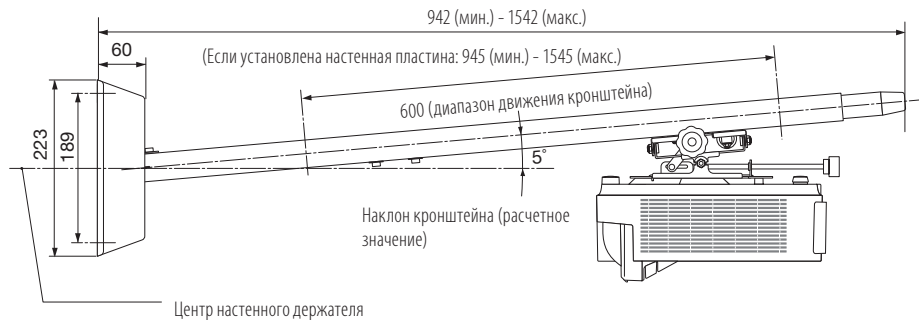
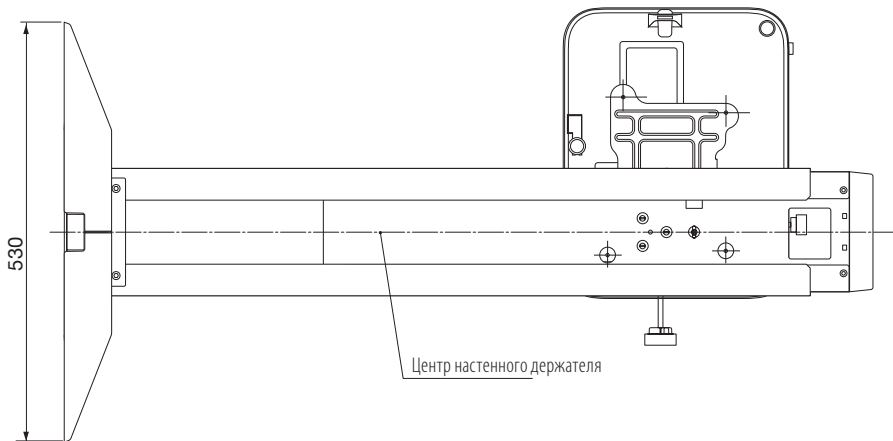
■ Названия деталей



■ Размеры деталей

Ниже показан внешний вид настенного крепления, положение винтов для монтажа настенного держателя на стену и величина перемещения при установке проектора.

Единицы измерения: мм



Установка проектора

Перед установкой

1. Примите во внимание место установки экрана и определите положение для монтажа настенного крепления. (См. Краткое руководство по установке)

- Невозможно выполнить установку таким образом, чтобы изображение проецировалось под углом. Выберите такое положение, при котором изображение проецируется прямо.

2. Убедитесь, что положение установки соответствует условиям, перечисленным в разделе « Прочтите перед установкой» на странице RUS-2 в данной инструкции.

- Поскольку угол возвышения оптической оси проектора большой, небольшие изменения в расстоянии проецирования существенно повлияют на размер и положение проецируемого изображения. Кроме того, если направление, в котором направлен проектор, отклонится, то увеличится искажение изображения.

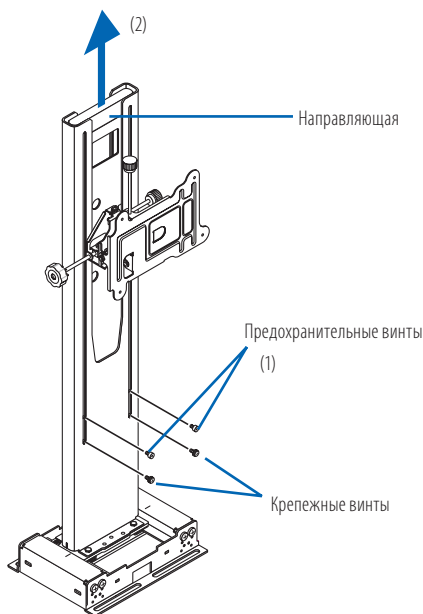
Подготовка:

1. Подготовьте крестообразную отвертку (магнитную) и прилагаемый шестигранный ключ.
2. Снимите крышку с кабеля проектора. Подробнее см. соответствующую инструкцию по эксплуатации.

1. Снимите направляющую.

Монтаж настенного держателя и направляющей выполняется при поставке.

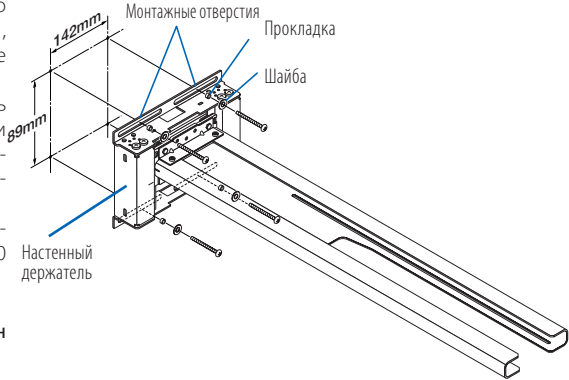
- (1) Удалите два крепежных болта и два предохранительных винта.
- (2) Снимите направляющую.



2. Присоедините настенный держатель к конструкционному стеновому материалу.

Используйте входящие в комплект шайбы и прокладки для крепления настенного держателя с помощью винтов М6 (или болтов).

- Пожалуйста, обратитесь к приложению «Краткое руководство по установке» и разделу RUS-6 главы «Размеры деталей» для получения информации о положении настенного монтажа и размерах.
- Обязательно затяните винты по центру монтажных отверстий, поскольку они служат в качестве ориентиров по горизонтали.
- Настенный держатель должен быть установлен в нужном направлении вверх/вниз. Установите его в направлении, показанном на рисунке.
- Горизонтальная регулировка положения находится в диапазоне ± 50 мм.



ВНИМАНИЕ!

- Монтаж должен быть выполнен двумя людьми.



ПРЕДУПРЕЖДЕНИЕ



- Обязательно используйте винты или болты М6 (1/4 дюйма) (в 4 местах) для крепления нижней части настенного держателя. Использование винтов (или болтов), отличных от М6, может привести к падению проектора и стать причиной телесных повреждений.

3. Присоедините проектор к монтажной пластине.

Совместите винтовые отверстия в монтажной пластине с винтовыми отверстиями в нижней части проектора и надежно затяните четыре прилагаемых винта М4х8.

- Поместите на пол кусок плотной, мягкой материи и т.д., чтобы защитить проектор от царапин.

Примечание: «MAX.M4 x 8» указано на четырех винтовых отверстиях в нижней части проектора. Примите к сведению, что данное обозначение не применимо к держателю проектора данного изделия.

ВНИМАНИЕ!

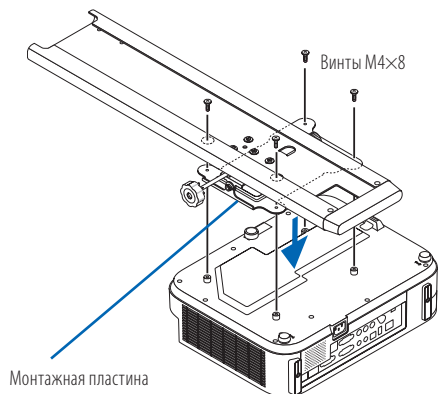
- Будьте внимательны и не прикасайтесь к окну проецирования при установке проектора.



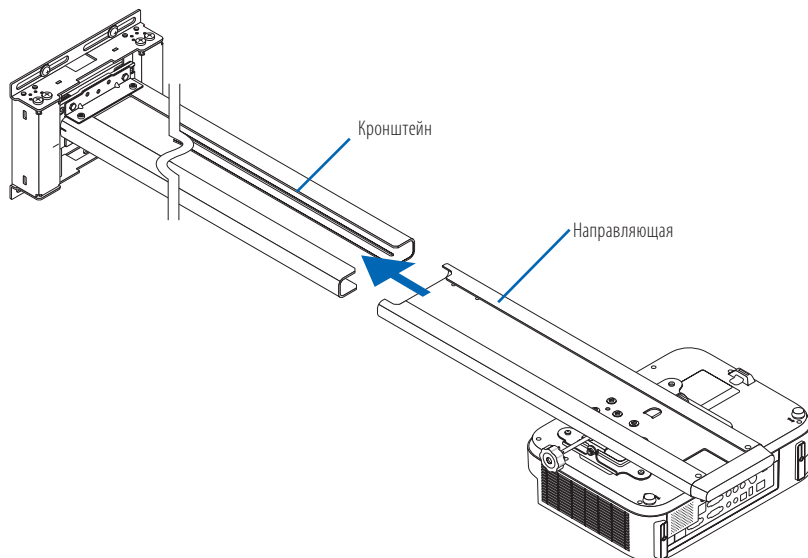
ПРЕДУПРЕЖДЕНИЕ



- Установка проектора с помощью винтов, не входящих в комплект, может повредить проектор или привести к его падению и стать причиной телесных повреждений. Обязательно используйте прилагаемые винты.

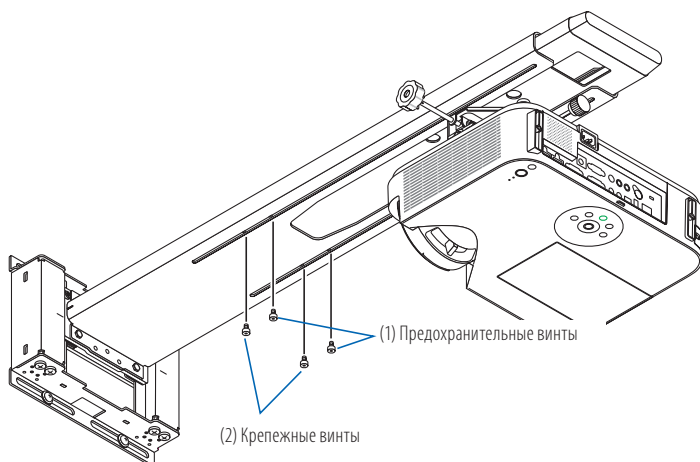


4. Вставьте направляющую в кронштейн.



5. Закрепите предохранительные винты и крепежные винты.

- (1) Используя входящий в комплект шестигранный ключ, надежно затяните два предохранительных болта.
- (2) Не затягивайте плотно два крепежных винта. Затяните их после выполнения регулировки.



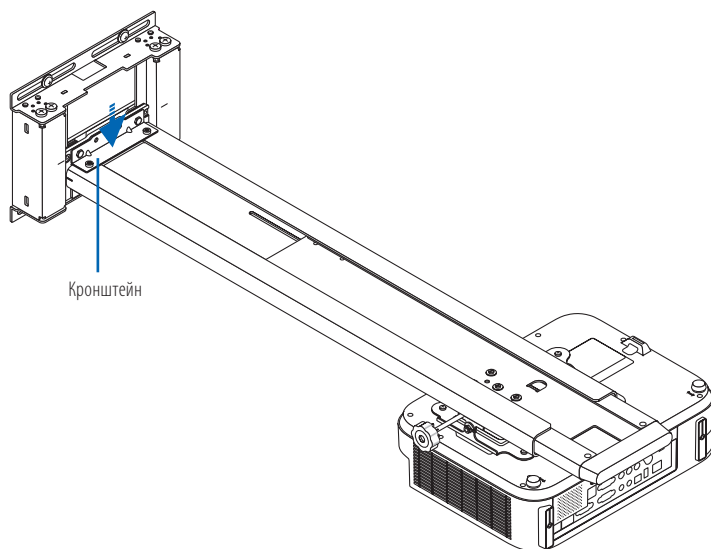
* На данной диаграмме представлен вид снизу.

6. Выполните начальную настройку положения кронштейна по вертикали.

На момент отгрузки изделия с завода кронштейн установлен в крайнее верхнее положение.

Удерживая основание кронштейна, опустите его в крайнее нижнее положение.

Это действие завершит начальную настройку положения кронштейна по вертикали.



ПРЕДУПРЕЖДЕНИЕ

- Не выкручивайте предохранительные винты, кроме как для сборки. Это может стать причиной отсоединения и падения направляющей, что может привести к телесным повреждениям.
- При опускании кронштейна в целях регулировки, обязательно держите его за основание. Невыполнение данного условия может привести к порче и падению кронштейна, а также к телесным повреждениям.

7. Проводка

Шнур питания и сигнальный (-е) кабель (-и) можно протянуть через направляющую и настенный держатель.

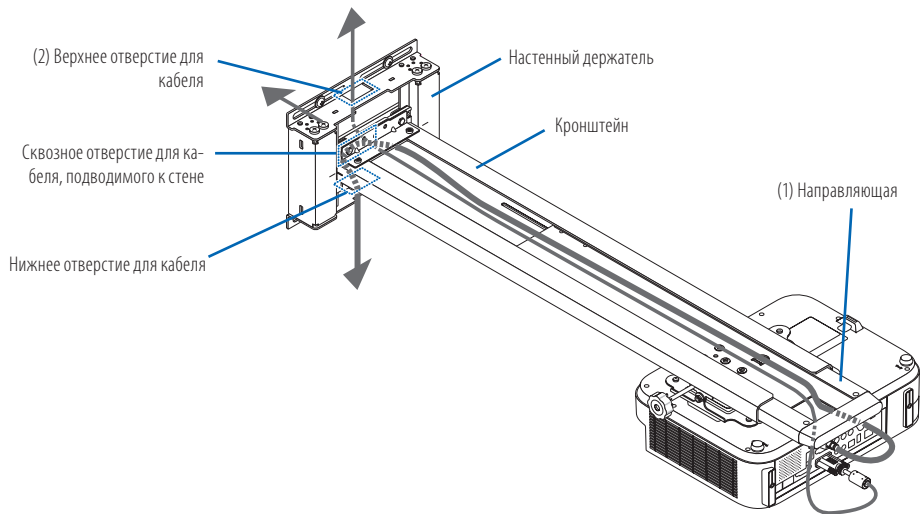
В направляющей имеется одно отверстие для кабеля, а в настенном держателе - три отверстия (верхнее, сквозное к стене и нижнее).

Выберите отверстия для кабеля в соответствии с условиями проводки.

- (1) Проложите кабели через отверстие для кабеля в направляющей до наконечника кронштейна.
- (2) Проложите кабели через верхнее, нижнее или среднее отверстие для кабеля в настенном держателе.

ВНИМАНИЕ!

- Обеспечьте достаточную длину кабеля для регулирования направляющей.
- При наличии нескольких сигнальных кабелей, свяжите их вместе. Однако не скручивайте их со шнуром питания. Это может вызвать шумовые помехи в питании.



Данное действие завершает установку проектора.

Закрепите крышку кабеля проектора и крышки настенного держателя после выполнения регулировки проецируемого изображения.

Регулировка искажения проецируемого изображения

■ Перед регулировкой

Подготовка проектора

- Спроецируйте изображение с проектора, затем в первую очередь измените положение кольца фокусировки проектора, чтобы приблизительно настроить фокусировку проецируемого изображения.

Для получения информации о проецировании изображений, см. «Проецирование изображений (Основная операция)» в руководстве пользователя (диск), прилагаемом к проектору.

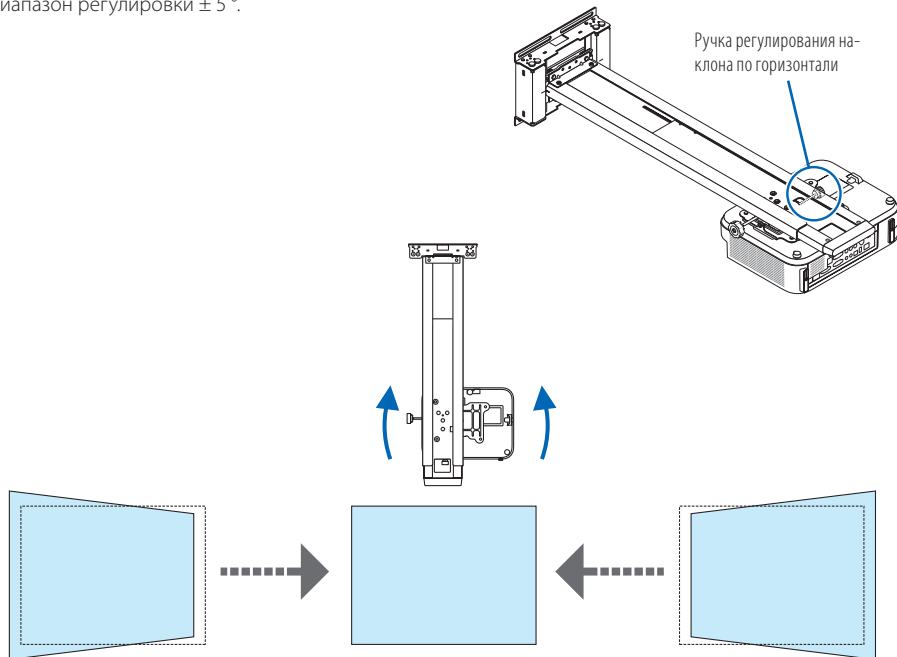
- В пункте «Установка» или «Настройки» в экранном меню выберите «Потолок/Вперед» для настройки метода проецирования.
- Для проекторов с функцией тестового шаблона регулировка выполняется легче путем проецирования тестового шаблона.

Схемы с описанием указывают лишь на изменения в проецируемом изображении для одной корректировки за раз. В реальных обстоятельствах искажения накладываются одно на другое.

1. Отрегулируйте положение проектора в горизонтальном направлении.

Поверните ручку регулирования наклона по горизонтали и выполните настройку так, чтобы верхняя и нижняя части проецируемого изображения стали параллельными.

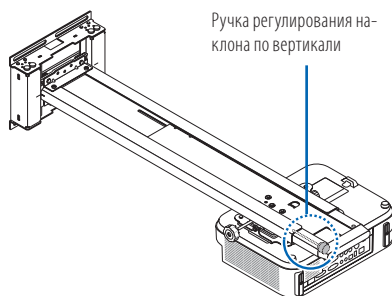
- Диапазон регулировки $\pm 5^\circ$.



2. Отрегулируйте наклон проектора по вертикали.

Поверните ручку регулирования наклона по вертикали и выполните настройку так, чтобы левая и правая части проецируемого изображения стали параллельными.

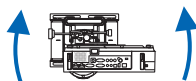
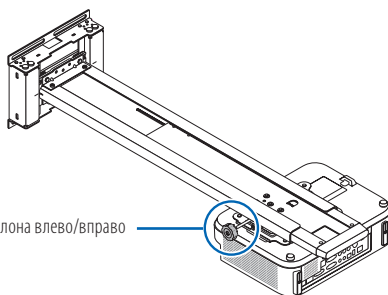
- Диапазон регулировки $\pm 5^\circ$.



3. Отрегулируйте наклон проектора в направлении вращения.

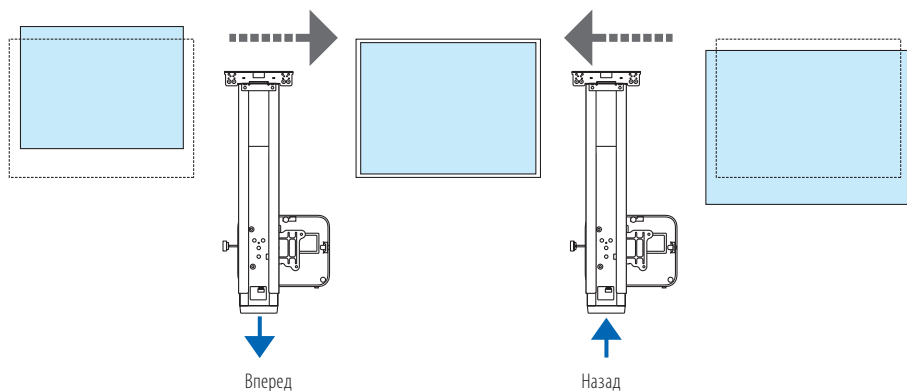
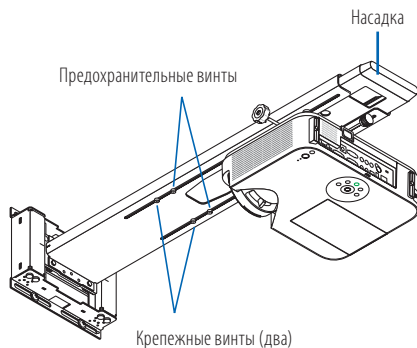
Поверните ручку регулирования наклона влево/вправо и выполните настройку так, чтобы изображение было параллельно экрану.

- Диапазон регулировки $\pm 5^\circ$.



4. Регулировка размера проецируемого изображения.

- (1) Ослабьте два крепежных винта кронштейна.
- (2) Удерживая насадку направляющей, передвиньте ее вперед или назад, чтобы изображение проецировалось на весь экран.
 - После выполнения установки в соответствии с инструкциями, приведенными в разделе «Расстояние проецирования и размер экрана», изображение будет проецироваться примерно по центру.
 - Максимальное смещение направляющей - 600 мм.
 - Принимая во внимание то, что положение, в которое установлено проецируемое изображение, со временем изменится, отрегулируйте его так, чтобы проецируемое изображение было немного (примерно на 20 мм) меньше экрана.



ПРЕДУПРЕЖДЕНИЕ

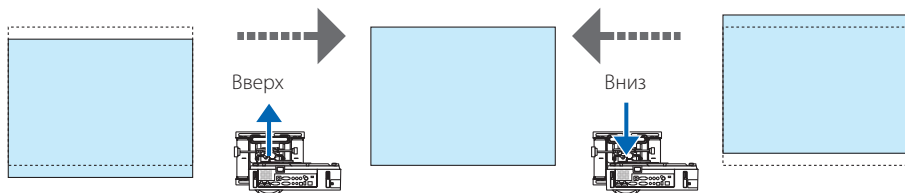
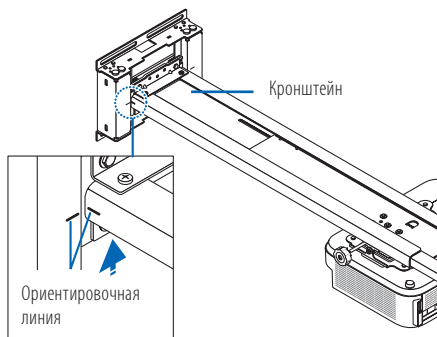
- Не выкручивайте предохранительные винты, кроме как для сборки. Это может стать причиной отсоединения и падения направляющей, что может привести к телесным повреждениям.

5. Регулировка по вертикали.

Удерживая основание кронштейна, сдвиньте его вверх, используя контрольную линию в качестве ориентира. Отрегулируйте проецируемое изображение так, чтобы оно находилось в центре поверхности экрана.

* Если проецируемое изображение сдвигается слишком сильно вверх по отношению к поверхности экрана, проще выполнить регулировку, если сначала удерживать основную часть кронштейна и опустить его, а затем переместить его обратно вверх.

- Кронштейн использует усилие пружины в целях сокращения нагрузки при перемещении вверх.
- Диапазон регулировки ± 40 мм.



ПРЕДУПРЕЖДЕНИЕ

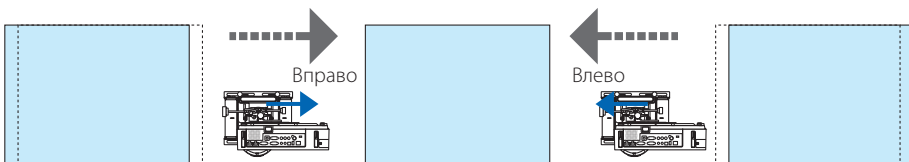
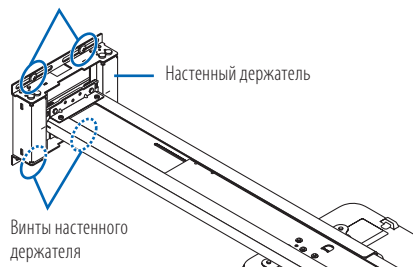
- При опускании кронштейна в целях регулировки, обязательно держите его за основание. Невыполнение данного условия может привести к порче и падению кронштейна, а также к телесным повреждениям.

6. Регулировка по горизонтали.

Если проецируемое изображение выходит за края экрана с одной из сторон, слегка ослабьте четыре винта настенного держателя, а затем сдвиньте настенный держатель в целях регулировки.

- Диапазон регулировки ± 50 мм.

Винты настенного держателя



ПРЕДУПРЕЖДЕНИЕ

- Не ослабляйте винты слишком сильно. Это может повредить установку или привести к ее падению и, как следствие, к травмам.

7. После завершения регулировки тщательно затяните винты, которые были ослаблены.

8. Присоедините крышки к настенному держателю.

Крышки (А) и (В) имеют одинаковую форму.

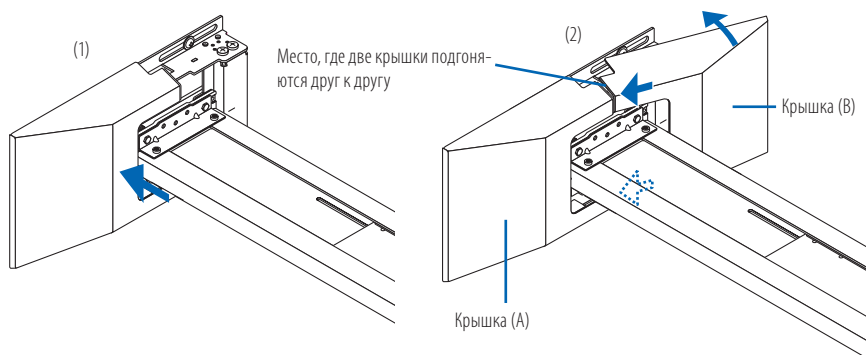
Присоединение крышек

(1) Вставьте одну из крышек в настенный держатель.

- Четыре выступа на обратной стороне крышки помещаются в пазы на настенном держателе и фиксируют крышку на месте.

(2) Вставьте крышку (В) под углом, затем поверните ее, обращая внимание на выступы.

- Четыре выступа на обратной стороне крышки помещаются в пазы на настенном держателе и фиксируют крышку на месте.



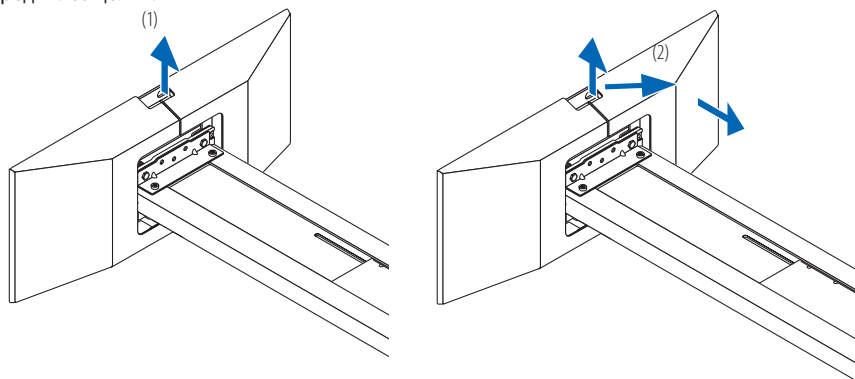
Снятие крышек

(1) Поместите палец в отверстие в верхней части крышки, затем слегка поднимите ее вверх и отсоедините защелки.

(2) Потяните по диагонали, как показано стрелками, затем сдвиньте крышку на себя и снимите ее. Снимите вторую крышку с помощью этой же процедуры.

ВНИМАНИЕ!

- Не применяйте силу, если защелки на обратной стороне крышки не отсоединены. Это может повредить защелки.



9. Присоединение крышки кабеля к проектору.

Для получения информации об установке крышки см. Руководство пользователя.



ПРЕДУПРЕЖДЕНИЕ

- Запрещается связывать кабель питания с другими кабелями и помещать его под крышку кабеля. Это может привести к возгоранию.

Данное действие завершает установку и регулировку.

Технические условия

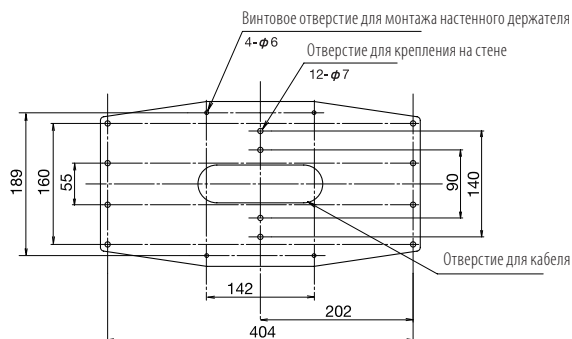
Название изделия	: Настенное крепление
Название модели	: NP05WK/NP05WK1
Регулируемые углы	: Вертикальный угол – $\pm 5^\circ$; Горизонтальный угол – $\pm 5^\circ$; Угол наклона – $\pm 5^\circ$
Регулируемые положения	: Передняя сторона/Задняя сторона – 422; По горизонтали – ± 50 мм; По вертикали – ± 40 мм
Внешние размеры	: 530 (W) x 942 (D) x 223 (H) мм (NP05WK1; 530 (W) x 945 (D) x 223 (H) мм)
Вес	: Прибл. 13,7 кг (NP05WK1: 15,5 кг)
Грузоподъемность	: 5,0 кг

Данные технические характеристики и лежащая в основе схема могут подвергаться изменениям без уведомления.

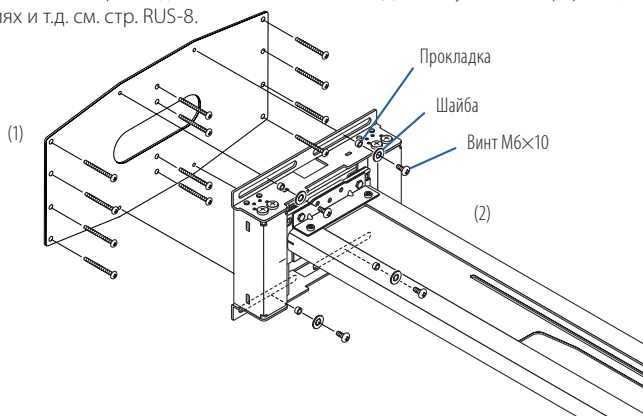
Использование настенной пластины (только для NP05WK1)

При установке настенного держателя с использованием настенной пластины, сделайте 16 отверстий в стене в местах, показанных на схеме ниже. Сделайте отверстия в соответствии с глубиной и диаметром используемых винтов.

Пространственный рисунок расположения винтов (Единицы измерения: мм)



- (1) Присоедините входящую в комплект настенную пластину к вертикальной детали на стене с помощью винтов (или болтов) (в 12 местах).
- (2) Надежно закрепите настенный держатель на настенной пластине при помощи прилагаемых винтов (M6x10), прокладок и шайб (в 4 местах). Для получения информации о предостережениях и т.д. см. стр. RUS-8.



벽면 장착 장치 NP05WK/NP05WK1 설치 및 조정 설명서

이 NEC 벽면 장착 장치를 구매해주셔서 감사합니다.
 이 설치 및 조정 설명서를 자세히 읽고 올바른 사용법을 익히십시오.
 지원되는 프로젝터 목록을 확인하려면 NEC 웹사이트 또는 NEC 카탈로그를 참조하십시오.
 본 설치 조정 취급 설명서에 표시된 프로젝터 그림은 예시의 목적으로만 제공된 것으로 설치할 프로젝터의 모양과 다를 수 있습니다.



벽면 장착 장치를 설치하려면 특별한 기술이 필요합니다. 이 설치 작업은 고객이 수행할 수 없습니다.



대리점과 설치자에게

고객의 안전을 확보하기 위해 당사에서는 장착 위치의 강도가 이 프로젝터와 장착 하드웨어의 무게를 지탱할 수 있을 정도로 충분한지 확인한 후 설치 작업을 시작하도록 권장합니다.



목차

주의 사항	KOR-2
소개	KOR-4
포장에 포함된 부품	KOR-4
부품 명칭	KOR-5
부품 치수	KOR-6
프로젝터 설치하기	KOR-7
투사된 이미지의 왜곡 조정	KOR-12
사양	KOR-18




주의 사항

● 기호



이 '설치 및 조정 설명서'에서는 이 제품의 안전과 올바른 사용을 확보하고 사용자와 주위 사람을 위험으로부터 보호하고 자산의 손상을 방지할 목적으로 여러 가지 기호를 사용합니다. 사용되는 기호와 그 의미는 다음과 같습니다. 내용을 잘 이해한 후에 이 설명서를 읽어주시기 바랍니다.

 경고	이 표시를 잘못 취급하여 무시하면 심한 부상이나 사망과 같은 신체적 위험이 야기될 수 있습니다.
 주의	이 표시를 잘못 취급하여 무시하면 신체적 부상과 주위 내용물의 손상이 발생할 수 있습니다.

기호의 예 :


	△ 기호는 주의 사항을 알려줍니다 (경고 포함). 구체적인 주의 사항은 그림으로 제시됩니다.
	⊘ 기호는 금지된 작업 / 조치를 나타냅니다. 구체적인 금지 사항은 그림으로 제시됩니다.
	● 기호는 필수적인 작업 / 조치를 나타냅니다. 구체적인 지침은 그림으로 제시됩니다.

경고

- 
 - 프로젝터를 설치하고 투사 위치를 조정할 때 이 설명서의 지침을 따르십시오. 잘못 설치되거나 조정되면 프로젝터가 떨어져서 신체적 부상을 유발할 수 있습니다.
 - 
 - 프로젝터가 떨어지지 않도록 하려면 오랜 시간이 흘러도 프로젝터와 벽면 장착 장치를 합한 무게를 지탱하고 지진에 견딜 수 있을 정도로 강도가 충분한 곳에 프로젝터를 설치하여 고정하십시오. 강도가 약하거나 고정이 충분하지 않으면 프로젝터가 떨어져서 신체적 부상을 유발할 수 있습니다.

다음 예방 조치를 준수하십시오.

 - 벽면 어댑터의 벽면 고정 볼트 M6(1/4 인치) 과 나사를 사용하십시오.
 - 프로젝터 전원으로 전원 콘센트를 사용하십시오. 위험하므로 램프 회선에 직접 연결하지 마십시오. 또한 전원 플러그를 연결하고 분리할 수 있는 가까운 위치의 콘센트를 사용하십시오.
 - 목재 벽면에 장착

하중이 기둥이나 견고한 건축 구조물에 실리도록 하십시오. 건축 구조물 등의 강도가 충분하지 않으면 보강하십시오. 벽면 마감재, 피장 (줄대) 등에 프로젝터를 장착하지 마십시오.
 - 콘크리트 벽면에 장착
- 프로젝터의 하중을 견딜 수 있는 시중에서 구입할 수 있는 고정 볼트 M6(1/4 인치), 고정 너트 등을 사용하십시오.
- 
 - 일정한 진동이 존재하는 곳에는 설치하지 마십시오. 진동이 계속되면 나사가 풀어져서 벽면 장착 장치와 프로젝터가 떨어지면 신체적 부상을 야기할 수 있습니다. 또한 프로젝터가 파손될 수도 있습니다.

경고



• 안전을 확보하려면 볼트와 나사 그리고 안전 잠금 나사를 확실하게 조이십시오. 그렇지 않으면 프로젝터가 떨어져서 신체적 부상을 유발할 수 있습니다.



• 부품을 일체 수정하지 마십시오. 그러면 프로젝터와 벽면 장착 장치가 떨어져서 신체적 부상을 야기할 수 있습니다.



• 파손된 부품은 사용하지 마십시오. 그러면 프로젝터와 벽면 장착 장치가 떨어져서 신체적 부상을 야기할 수 있습니다. 부품이 파손된 경우 해당 대리점에 문의하십시오.



• 프로젝터가 켜져 있을 때 투사 창, 미러 또는 렌즈를 바라보지 마십시오. 그러면 시각이 손상될 수 있습니다.



• 프로젝터와 벽면 장착 장치에 매달리지 마십시오. 그러면 프로젝터와 벽면 장착 장치가 떨어져서 신체적 부상을 야기할 수 있습니다. 특히 어린이에게 유의하십시오.



• 벽면 어댑터의 잠금 나사에 접착제, 윤활유, 오일 등을 사용하지 마십시오. 그러면 벽면 어댑터의 소재가 약화되어 프로젝터가 떨어져서 신체적 부상을 야기할 수 있습니다.



• 벽걸이 암에는 어떠한 물체도 부착하지 않도록 합니다.
암이 파손되어 떨어지면 상해를 입을 수 있습니다.



• 암의 아래 부분을 지지한 상태로 암의 높이를 조정하여 암을 내립니다. 아래 부분을 지지하지 않고 높이를 조정할 경우 암이 파손되어 떨어지면서 상해를 입을 수 있습니다.

주의



• 프로젝터의 환기구를 막지 마십시오. 그러면 열이 발산되지 않아서 화재가 발생할 수 있습니다. 특히 다음 방법으로 프로젝터를 사용하지 마십시오.

벽과 같이 환기가 잘 안 되고 환기구가 막힐 수 있는 곳에 프로젝터를 설치



• 에어컨이나 히터의 배출구 입구 또는 상당한 진동이 존재하는 곳에 프로젝터를 설치하지 마십시오. 그러면 화재가 감전 사고가 발생할 수 있습니다.



• 습기나 먼지가 있는 곳 또는 기름기 있는 연기나 증기에 노출된 곳 (요리 기기 또는 가습기 근처) 에 프로젝터를 설치하지 마십시오. 그러면 화재가 발생할 수 있습니다.



• 프로젝터를 설치할 때 프로젝터와 주위 물체 사이에 충분한 공간을 두십시오. 그렇지 않으면 열이 발산되지 않아서 화재가 발생할 수 있습니다.

다음과 같이 하십시오.

- 먼지나 습기, 담배 연기나 등 그늘음이 가득한 장소는 피하십시오.
렌즈와 같은 광학 부품에 먼지가 묻어 화질이 저하될 수 있습니다.
- 화면이 직사광선 또는 점등된 불빛에 노출되어 있는 장소는 피하십시오.
주위의 불빛이 화면에 직접 닿으면 이미지가 찌그러져서 보기가 어렵게 됩니다.
- 온도가 과도하게 높거나 낮은 곳은 피하십시오.
그러면 장치가 파손될 수 있습니다. (주위 작동 온도의 경우 프로젝터와 함께 제공된 사용자 설명서를 참조하십시오.)

소개

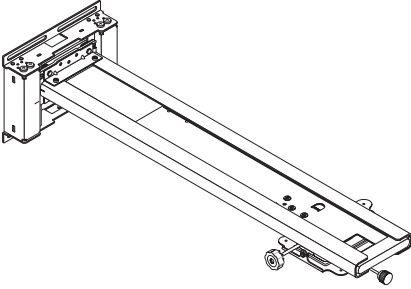
■ 포장에 포함된 부품

다음 부품이 패키지에 포함되어 있는지 확인합니다.

벽면 어댑터 : 1 세트

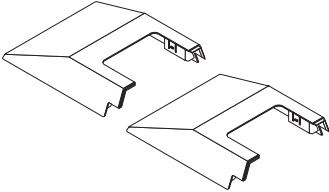
슬라이드 암 : 1 세트

벽면 어댑터와 슬라이드 암은 조립되어 배송됩니다.



벽면 어댑터 덮개 : 2 개

다음은 벽면 어댑터의 덮개입니다. 두 덮개가 동일합니다.



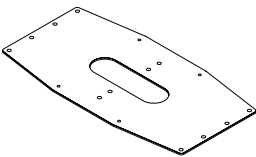
M4 × 8 mm 나사 : 4 개

이러한 나사는 프로젝터를 장착하는 데 사용됩니다.

벽면용 플레이트 : 1 개

이 플레이트는 북미 지역에서 벽면 어댑터를 장착하는 데 사용됩니다.

* 벽면 어댑터를 벽면에 장착할 때 사용되는 볼트와 나사로는 벽의 표면에 맞는 볼트와 나사를 사용하십시오.



M6 × 10 mm 나사 : 4 개

이 부품은 벽면용 플레이트를 벽면 장착 장치에 장착할 때 사용됩니다.

수평 배열 고정 나사 (A) : 1 개

스프링 와셔 (B) : 1 개

와셔 (C) : 1 개

화면을 조정한 후 화면의 수평 기울기를 고정할 때 사용합니다. 설치 방법은 설치 안내서를 참조하십시오.

워셔 : 4 개

스페이서 : 4 개

이러한 부품은 벽면 어댑터를 벽면에 장착할 때 사용됩니다.

* 벽면 어댑터를 벽면에 장착할 때 사용되는 볼트와 나사로는 벽의 표면에 맞는 볼트와 나사를 사용하십시오.

높이 조절 고정 나사 (D) : 2 개

암을 조정한 후 암의 높이를 고정할 때 사용합니다. 설치 방법은 설치 안내서 뒷면을 참조하십시오.

육각 렌치 : 1 개

이 렌치는 안전 잠금 나사 조임용입니다.

블라인드 커튼 : 1 개

암 아래 부분을 숨길 때 사용합니다. 설치 방법은 빠른 설치 안내서 뒷면을 참조하십시오.

설치 주의 사항 : 1 권

여기에는 벽면 장착 장치의 설치에 관한 안전 주의 사항과 포함된 부품 목록 그리고 사양이 포함되어 있습니다.

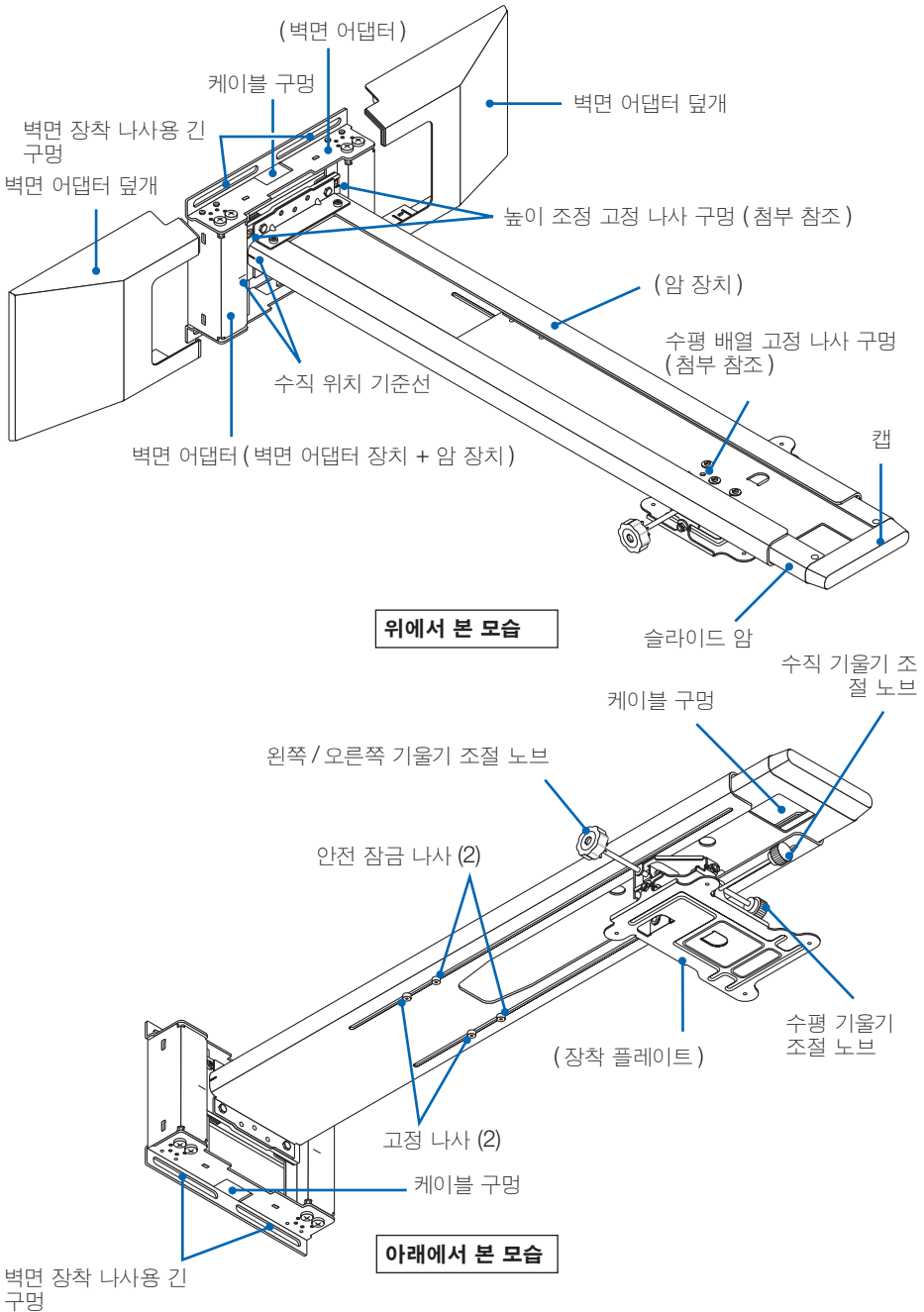
빠른 설치 안내서 : 1 권

이 안내서는 설치 및 조정 절차에 대한 간략한 설명을 수록하고 있습니다.

설치 안내서 : 1 권

수평 배열 고정 나사와 높이 조절 고정 나사를 설치하는 방법이 설명되어 있습니다.

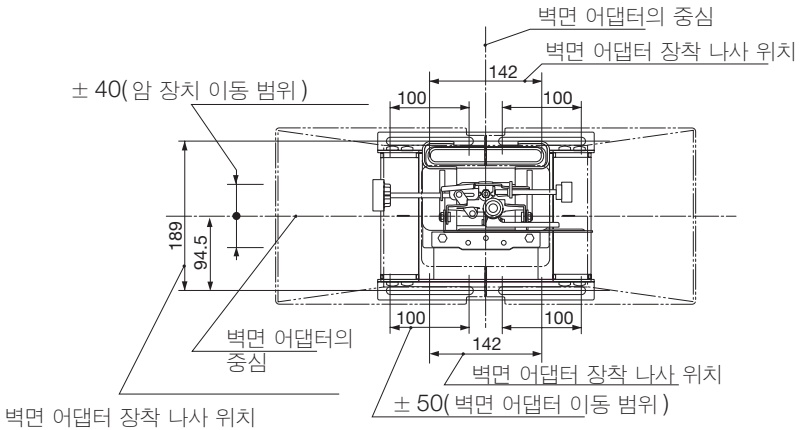
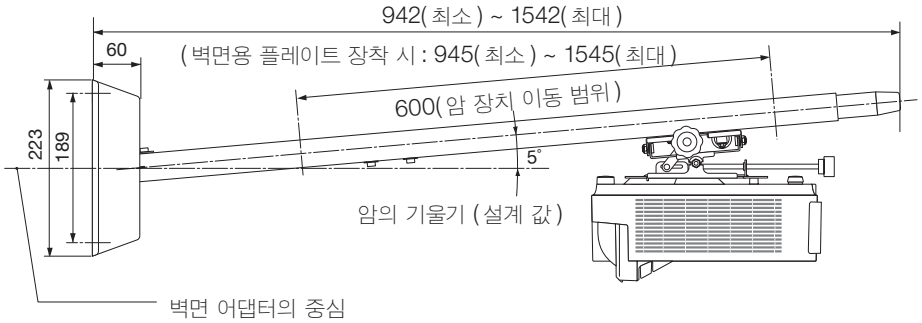
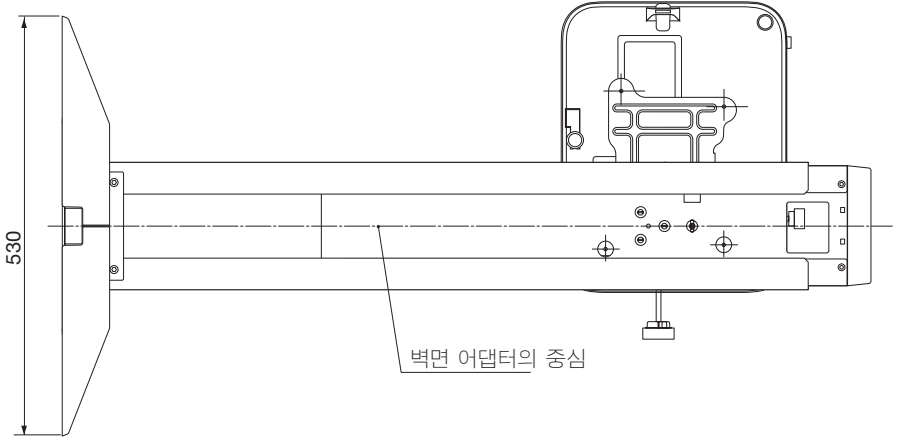
부품 명칭



■ 부품 치수

다음 그림은 벽면 장착 장치의 외부 보기, 벽면 어댑터의 벽면 장착 나사 위치와 프로젝터 장착 시 이동 거리를 보여줍니다.

단위 : mm



프로젝터 설치하기

설치 전에

1. 화면을 설치할 위치를 고려하여 벽면 장착 장치를 장착할 위치를 결정하십시오. (빠른 설치 안내서 참조)
 - 이미지가 비스듬히 투사되도록 설치할 수는 없습니다. 이미지가 앞면에 직접 투사되도록 위치를 정해야 합니다.
2. 설치 위치가 이러한 지침의 KOR-2 페이지에 나와 있는 '반드시 설치 전에 읽기'의 조건에 맞는지 확인하십시오.
 - 프로젝터 광학 축의 고도각이 크기 때문에 투사 거리가 약간만 바뀌어도 투사된 이미지의 크기와 위치가 크게 변경됩니다. 또한 프로젝터가 향하는 방향이 어긋나면 이미지의 왜곡이 커집니다.

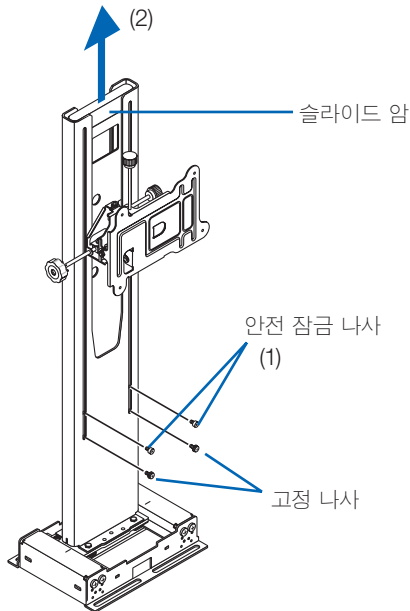
준비 사항:

1. 십자 드라이버 (자석)와 함께 제공된 육각 렌치를 준비합니다.
2. 프로젝터의 케이블 덮개를 분리합니다. 분리 방법은 해당 사용 지침을 참조하십시오.

1. 슬라이드 암을 분리합니다.

벽면 어댑터와 슬라이드 암은 조립되어 배송됩니다.

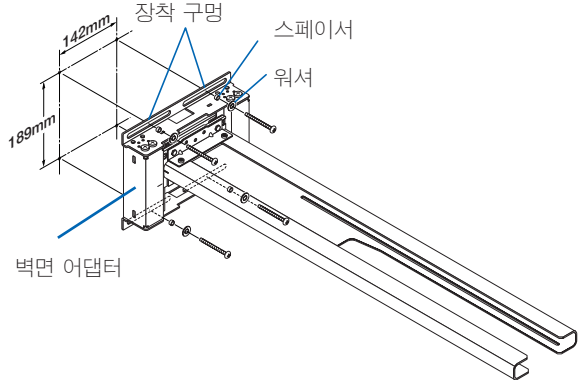
- (1) 두 고정 나사와 두 안전 잠금 나사를 풀습니다.
- (2) 슬라이드 암을 꺼냅니다.



2. 벽면 어댑터를 벽면의 구조재에 부착합니다.

함께 제공된 워셔와 스페이서를 사용하여 M6 나사 (또는 볼트) 로 벽면 어댑터를 장착합니다.

- 벽 설치 위치와 치수에 대한 내용은 첨부된 "빠른 설치 안내서" 와 "부품 치수" 가 표시된 KOR-6 을 참조합니다.
- 수평 위치의 기준점 역할을 하는 장착 구멍 중심에 나사를 조입니다.
- 벽면 어댑터를 올바른 위 / 아래 방향으로 설치해야 합니다. 그림에 나와 있는 방향으로 장착합니다.
- 수평 위치 조절 범위는 ± 50 mm 입니다.



주의

- 장착 작업은 두 사람이 함께 해야 합니다.

⚠ 경고

- M6(1/4 인치) 나사 또는 볼트 (4 개 위치) 를 사용하여 벽면 어댑터의 하단을 조이십시오. M6 나사 (또는 볼트) 가 아닌 다른 나사를 사용하면 프로젝터가 떨어져서 사람이 다칠 수 있습니다.

3. 프로젝터를 장착 플레이트에 부착합니다.

장착 플레이트의 나사 구멍을 프로젝터 하단의 나사 구멍에 일치시키고, 함께 제공된 M4 x 8 나사 4 개를 안전하게 조입니다.

- 두껍고 부드러운 천 등을 바닥에 깔아서 프로젝터가 긁히지 않도록 합니다.

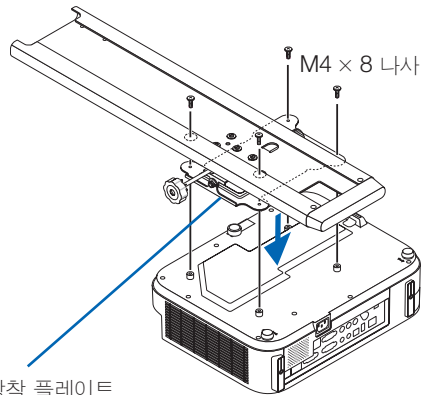
참고 : 프로젝터 하단의 나사 구멍 4 개에 'MAX.M4 x 8 '이 표시되어 있습니다. 이 표시는 이 제품의 프로젝터 어댑터용이 아닙니다.

주의

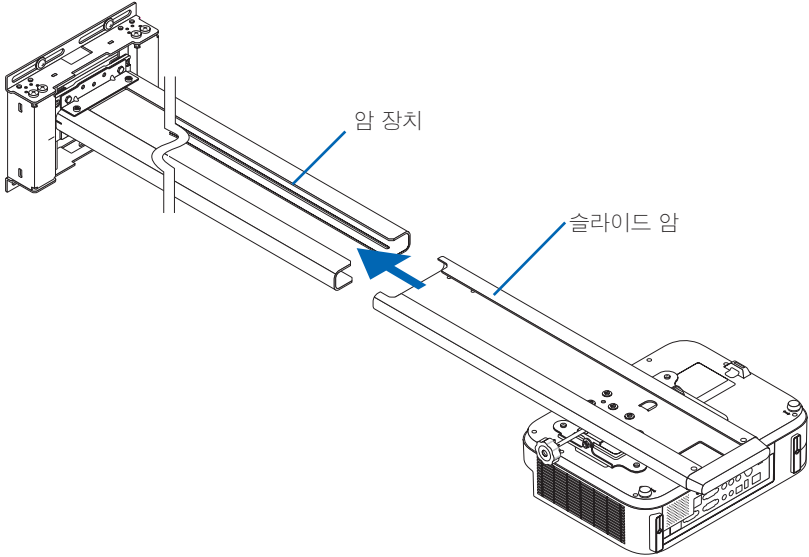
- 프로젝터 장착 시 프로젝터의 투사 창을 접촉하지 마십시오.

⚠ 경고

- 함께 제공된 것이 아닌 나사를 사용하여 프로젝터를 장착하면 프로젝터가 손상되거나 떨어져서 사람이 다칠 수 있습니다. 반드시 함께 제공된 나사를 사용하십시오.

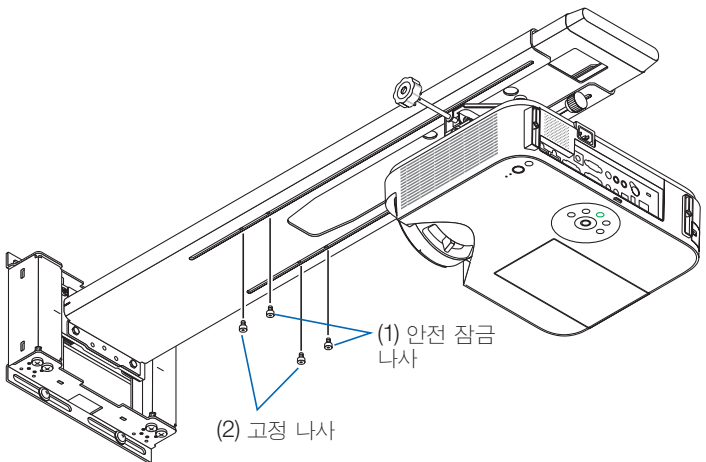


4. 암 장치에 슬라이드 암을 넣습니다.



5. 안전 잠금 나사와 고정 나사를 장착합니다.

- (1) 함께 제공된 육각 렌치를 사용하여 안전 잠금 나사를 단단히 조입니다.
- (2) 두 고정 나사를 느슨하게 둡니다. 조절이 완료된 후 고정 나사를 조입니다.



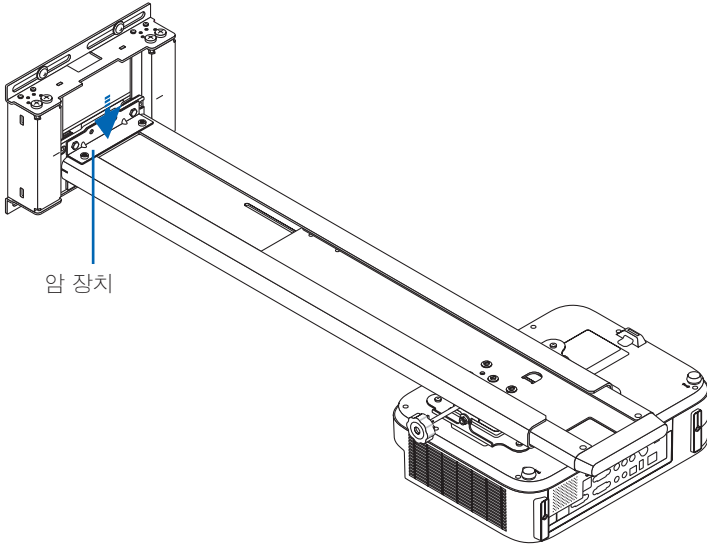
* 이 그림은 아래에서 바라본 모습입니다.

6. 암 장치 수직 위치의 초기 설정을 수행합니다.

공장에서 출하 시, 암 장치는 맨 위 위치로 설정되어 있습니다.

암의 아래 부분을 지지하고 한번에 바닥까지 암을 내립니다.

이것으로 암 장치 수직 위치의 초기 설정이 완료됩니다.



경고

- 조립 이외의 용도로 안전 잠금 나사를 제거하지 마십시오. 그렇게 할 경우 슬라이드 암이 분리되어 떨어지면 부상의 위험이 있습니다.
- 조절을 위해 암을 내릴 때 베이스를 잡으십시오. 조절 시 다른 위치를 잡을 경우, 암이 손상되거나 떨어져서 사람이 다칠 수 있습니다.

7. 케이블 연결

전원 코드와 신호 케이블이 슬라이드 암과 벽면 어댑터를 통과할 수 있습니다.

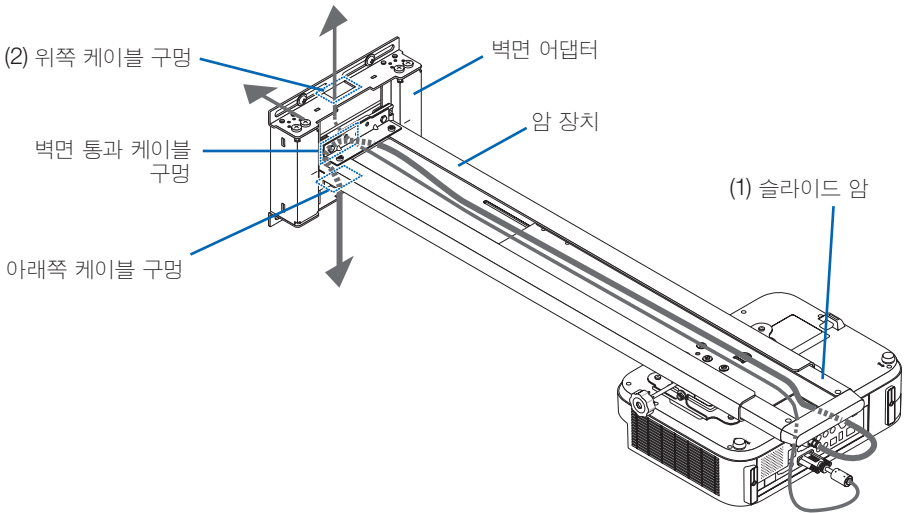
슬라이드 암에 케이블 구멍이 하나 있고, 벽면 어댑터에 케이블 구멍이 3개 (위쪽, 벽면 통과, 아래쪽) 있습니다.

케이블 연결 조건에 따라 사용할 케이블 구멍을 선택합니다.

- (1) 케이블을 슬라이드 암의 케이블 구멍을 통해 암 장치의 상단으로 통과시킵니다.
- (2) 케이블을 벽면 어댑터의 위쪽, 아래쪽 또는 가운데 케이블 구멍으로 통과시킵니다.

주의

- 슬라이드 암을 조정할 수 있도록 케이블 길이를 충분하게 둡니다.
- 신호 케이블이 여러 개인 경우 함께 묶습니다. 전원 코드와 함께 묶지는 마십시오. 그럴 경우 전원 공급장치 노이즈 간섭이 발생할 수 있습니다.



이것으로 프로젝터의 설치가 완료됩니다.

투사된 이미지를 조정한 후 프로젝터의 케이블 덮개와 벽면 어댑터의 덮개를 장착합니다.

투사된 이미지의 왜곡 조정

■ 조정 전에

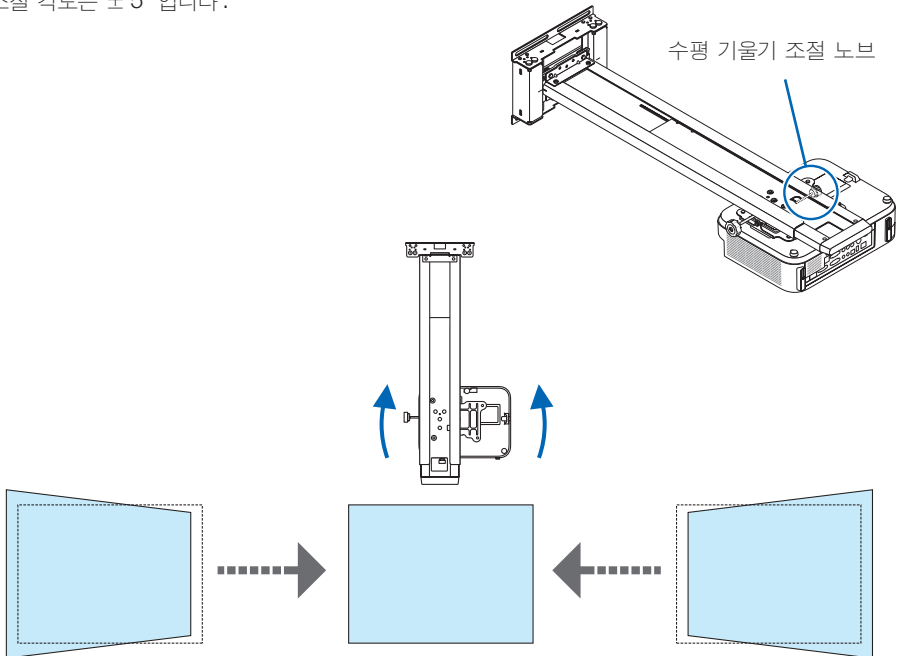
프로젝터 준비

- 프로젝터에서 이미지를 투사한 후 먼저 프로젝터의 초점 링을 옮기면서 투사된 이미지의 초점을 대략적으로 조정합니다.
영상 투사에 관한 설명은 프로젝터와 함께 제공된 사용자 매뉴얼 (CD-ROM) 의 'Projecting an Image(영상 투사하기)'를 참조하십시오.
- 화면 메뉴의 '설치' 또는 '설정'에서 투사 방법으로 '천장 / 전면'을 선택합니다.
- 테스트 패턴 기능이 있는 프로젝터의 경우, 테스트 패턴을 투사하면 조정 작업을 더 쉽게 수행할 수 있습니다.

설명용 그림은 한 번에 한 조정에 대해서만 투사된 이미지 변경 내용을 표시합니다. 실제 상황에서는 왜곡이 복합적입니다.

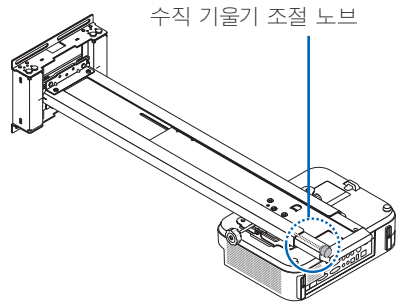
1. 프로젝터의 방향을 수평 방향으로 조정합니다.

수평 기울기 조절 노브를 돌려서 투사된 이미지의 상단/하단 가장자리가 평행이 되도록 조절합니다.
- 조절 각도는 $\pm 5^\circ$ 입니다.



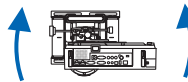
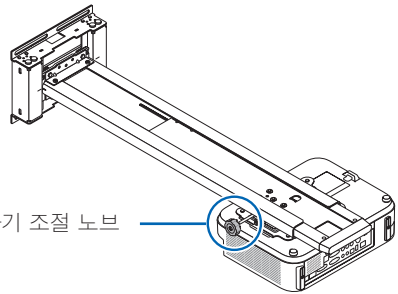
2. 프로젝터의 기울기를 수직 방향으로 조정합니다.

수직 기울기 조절 노브를 돌려서 투사된 이미지의 왼쪽/오른쪽 가장자리가 평행이 되도록 조절합니다.
- 조절 각도는 $\pm 5^\circ$ 입니다.



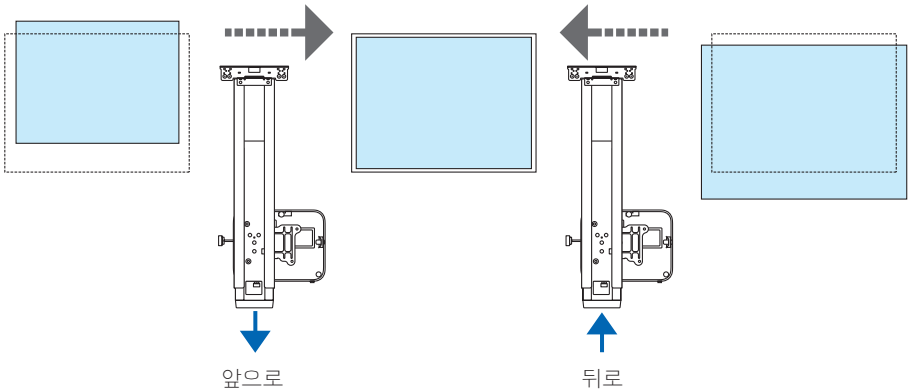
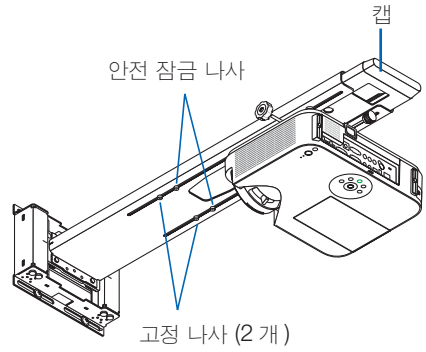
3. 프로젝터의 기울기를 회전 방향으로 조정합니다.

왼쪽/오른쪽 기울기 조절 노브를 돌려서 이미지가 화면과 평행하도록 조절합니다.
- 조절 각도는 $\pm 5^\circ$ 입니다.



4. 투사된 이미지의 크기를 조정합니다.

- (1) 암 장치의 두 고정 나사를 느슨하게 풉니다.
- (2) 슬라이드 암의 캡을 잡고 앞/뒤로 이동하면서 전체 화면에 이미지를 투사합니다.
 - '투사 거리와 화면 크기'의 지침에 따라 설치한 경우 이미지가 중심 부근으로 투사됩니다.
 - 슬라이드 암은 최대 600 mm 까지 이동합니다.
 - 투사된 이미지가 조정되는 위치가 시간 경과에 따라 다소 바뀌는 것을 고려하여, 투사된 이미지가 화면보다 약간 (약 20 mm) 작도록 설정합니다.



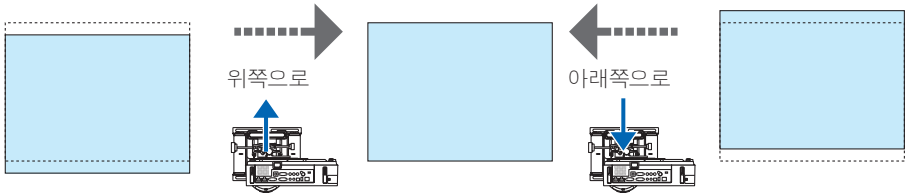
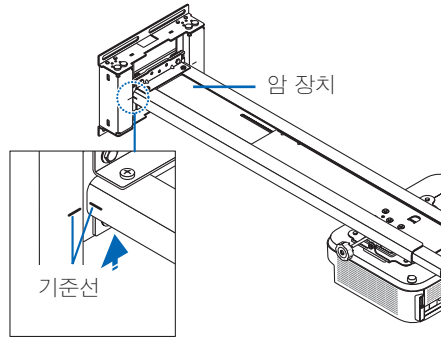
경고

- 조립 이외의 용도로 안전 잠금 나사를 제거하지 마십시오. 그렇게 할 경우 슬라이드 암이 분리되어 떨어지면 부상의 위험이 있습니다.

5. 수직 방향으로 조정합니다.

암의 아래 부분을 지지하고 기준선을 참조하여 암을 위로 올립니다. 투사된 이미지가 화면 표면의 중심에 오도록 조정합니다.

- * 투사된 이미지가 화면 표면에서 위쪽으로 너무 이동한 경우, 먼저 암 베이스를 잡고 암을 내린 후 다시 위로 이동하면 쉽게 조정할 수 있습니다.
- 암 장치는 위로 이동 시 스프링 힘을 사용하여 하중을 줄입니다.
- 조정 범위는 ± 40 mm 입니다.



! 경고

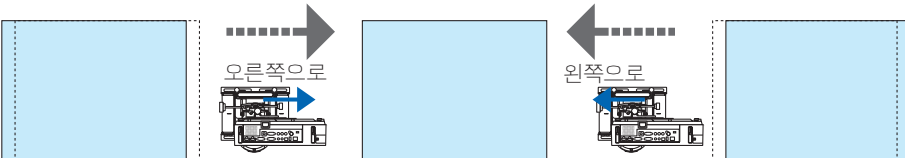
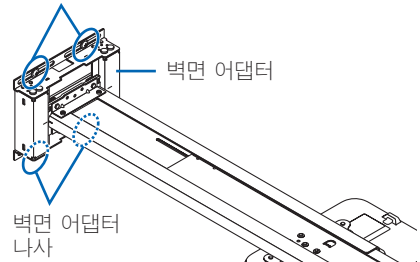
- 조정을 위해 암을 내릴 때 베이스를 잡으십시오. 조정 시 다른 위치를 잡을 경우, 암이 손상되거나 떨어져서 사람이 다칠 수 있습니다.

6. 수평 방향으로 조정합니다.

투사된 이미지가 화면의 측면에서 벗어나는 경우, 벽면 어댑터의 나사 4 개를 약간 풀 후 벽면 어댑터를 밀어서 조정합니다.

- 조정 범위는 ± 50 mm 입니다.

벽면 어댑터 나사



! 경고

- 나사를 너무 많이 풀지 마십시오. 그러면 고정이 느슨해지거나 장치가 떨어져서 사람이 다칠 수 있습니다.

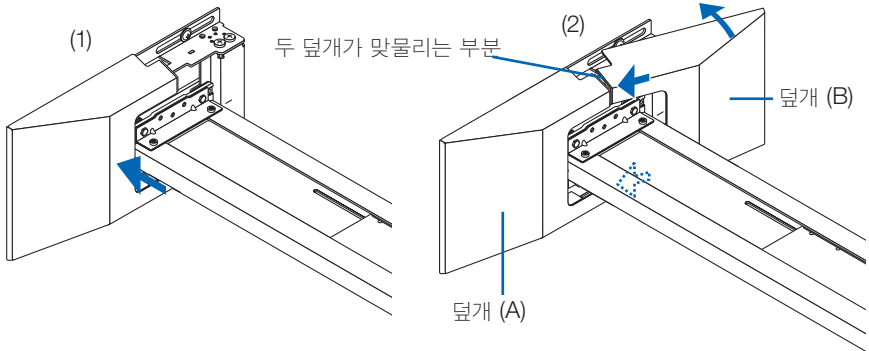
7. 조정이 완료되면 느슨하게 풀어둔 나사를 모두 확실하게 조입니다.

8. 덮개를 벽면 어댑터에 장착합니다.

덮개 (A) 와 덮개 (B) 의 모양은 동일합니다.

덮개 장착

- (1) 덮개 하나를 벽면 어댑터에 밀어서 끼웁니다.
 - 덮개 뒤쪽의 탭 4 개가 벽면 어댑터의 노치에 삽입되어, 덮개를 제자리에 고정합니다.
- (2) 탭에 주의하면서 덮개 (B) 를 비스듬하게 삽입한 후 돌려줍니다.
 - 덮개 뒤쪽의 탭 4 개가 벽면 어댑터의 노치에 삽입되어, 덮개를 제자리에 고정합니다.

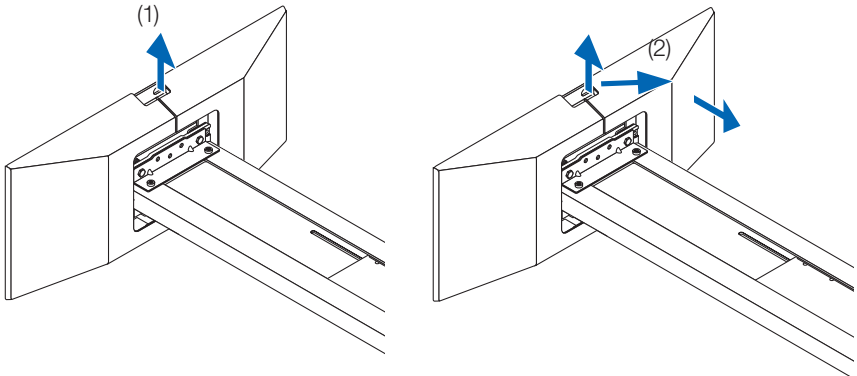


덮개 분리

- (1) 손가락 하나를 덮개 상단의 입구에 넣은 후 위쪽으로 가볍게 들어올려서 탭의 후크를 해제합니다.
- (2) 화살표의 표시처럼 대각선 방향으로 당긴 후 몸 쪽으로 덮개를 이동하여 분리합니다. 마찬가지로 이 방법을 사용하여 다른 덮개도 분리합니다.

주의

- 덮개 뒤쪽의 탭 후크가 해제되지 않은 경우 강제로 당기지 마십시오. 그러면 탭이 손상될 수 있습니다.



9. 케이블 덮개를 프로젝터에 장착합니다.

덮개 부착에 관한 설명은 사용자 매뉴얼을 참조하십시오.

경고

- 전원 코드를 케이블과 함께 묶어서 케이블 덮개 아래에 두지 마십시오. 그러면 화재가 발생할 수 있습니다.

이것으로 설치와 조정이 완료됩니다.

사양

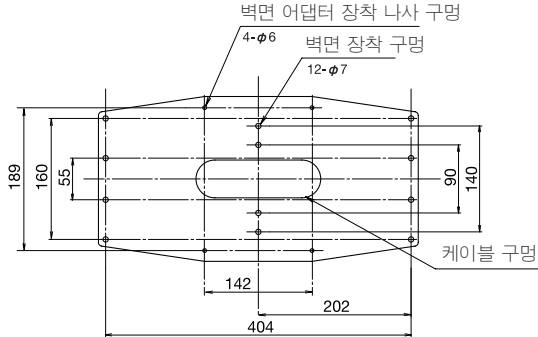
제품 이름	: 벽면 장착 장치
모델 이름	: NP05WK/NP05WK1
조정 각도	: 수직 각도 - $\pm 5^\circ$; 수평 각도 - $\pm 5^\circ$; 기울기 각도 - $\pm 5^\circ$
조정 가능 위치	: 전 / 후 - 422; 수평 - ± 50 mm; 수직 - ± 40 mm
외부 치수	: 530 (W) x 942 (D) x 223 (H) mm (NP05WK1; 530 (W) x 945 (D) x 223 (H) mm)
무게	: 약 13,7 kg (NP05WK1: 15,5 kg)
최대 하중	: 5.0 kg

이러한 사양과 설계는 예고 없이 변경될 수 있습니다.

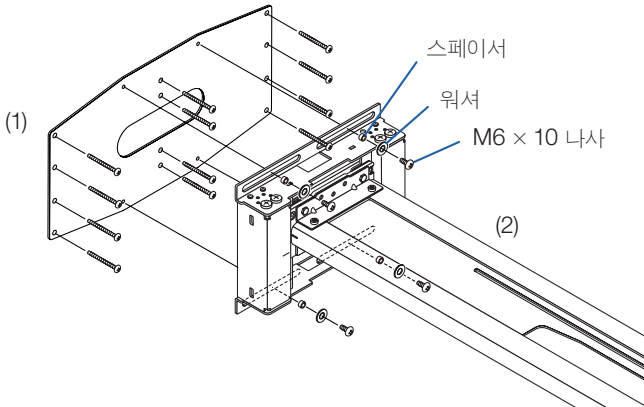
벽면용 플레이트 사용 (NP05WK1 만 해당)

벽면용 플레이트를 사용하여 벽면 어댑터를 장착할 때 벽면의 아래에 표시된 위치에 구멍을 16 개 만듭니다. 적절한 깊이와 직경으로 나사에 사용할 구멍을 만듭니다.

나사 위치의 치수 도면 (단위 : mm)



- (1) 나사 (또는 볼트)(12 개 위치) 를 사용하여 함께 제공된 벽면용 플레이트를 벽면의 수직재에 장착합니다.
- (2) 함께 제공된 나사 (M6 × 10), 스페이서, 워셔 (4 개 위치) 를 사용하여 벽면 어댑터를 벽면용 플레이트에 안전하게 조입니다. 주의 사항은 KOR-8 쪽을 참조하십시오.



دليل التركيب والضبط لوحدة NP05WK/NP05WK1

نشكركم على شرائكم وحدة التثبيت على الحائط من شركة NEC. يُرجى قراءة دليل التركيب والضبط هذا بعناية لضمان الاستخدام الصحيح. للحصول على قائمة بأجهزة العرض المدعومة، يُرجى الرجوع إلى موقع شركة NEC أو الكتالوجات الخاصة بها. الرسوم التوضيحية لجهاز العرض الواردة في دليل التركيب وتعليمات الضبط لأغراض التوضيح فقط وقد تختلف من حيث الشكل عن جهاز العرض المراد تركيبه.

تتطلب عملية تركيب وحدة التثبيت على الحائط مهارات خاصة؛ لذا لا ينبغي للعميل مطلقاً أن يتولى بنفسه القيام بهذا العمل.



ملاحظة إلى الموزع والقائم على التركيب
لضمان سلامة العميل، ندعوكم إلى الشروع في عملية التركيب بعد المراعاة البالغة لقوة مكان التثبيت للتأكد من أنه سيتحمل وزن جهاز العرض وأدوات التثبيت ذات الصلة.





المحتويات

٢-عربي	يُرجى مراعاة ما يلي
٤-عربي	مقدمة
٤-عربي	محتويات العبوة
٥-عربي	أسماء الأجزاء
٦-عربي	أبعاد الأجزاء
٧-عربي	تركيب جهاز العرض
١٢-عربي	ضبط تنشؤ الصورة المعروضة
١٨-عربي	المواصفات

يُرجى مراعاة ما يلي

● الرموز

يتم استخدام العديد من الرموز في "دليل التركيب والضبط" لضمان الاستخدام الآمن والصحيح لهذا المنتج، ولمنع وقوع أضرار لك ولغيرك وللممتلكات. وفيما يلي بيان بتلك الرموز ومعانيها. يُرجى قراءة هذا الدليل بعد التأكد من فهم محتوياته جيدًا.

قد تؤدي إساءة التعامل مع تلك العلامة وإهمالها إلى وقوع أضرار جسيمة مثل الوفاة والإصابات البالغة وما إلى ذلك.	 تحذير
قد تؤدي إساءة التعامل مع تلك العلامة وإهمالها إلى وقوع إصابات جسيمة وإتلاف المحتويات المحيطة.	 تنبيه






أمثلة على الرموز:

	△ يشير هذا الرمز إلى وجود تنبيهات (بما في ذلك التحذيرات) تم توضيح التنبيهات الصارمة بالرسوم.
	⊘ يشير هذا الرمز إلى الإجراءات المحظورة تم توضيح المحظورات الصارمة بالرسوم.
	● يشير هذا الرمز إلى الإجراءات الإلزامية. تم توضيح التعليمات الصارمة بالرسوم.





تحذير

- عند تركيب الجهاز وضبط موضع العرض، تأكد من القيام بذلك وفقًا لما هو موضح بهذا الدليل؛ فقد يسقط جهاز العرض محدثًا إصابات إذا تم تركيبه وضبطه على نحو غير صحيح.
- لمنع سقوط جهاز العرض، ينبغي لك تركيبه وتثبيته في موضع يضمن توفير القوة الكافية لتحمل الوزن الممثل للجهاز ووحدة التثبيت على الحائط وغيرهما لفترة طويلة، وكذلك لضمان صموده حال حدوث زلازل. وفي حالة عدم كفاية قوة التثبيت أو إحكامه، فقد يؤدي ذلك إلى سقوط جهاز العرض وحدث إصابات.
- احرص على اتباع الاحتياطات التالية:
 - استخدم مسامير الربط ذات المقاس M6 (٤/١ بوصة) لتثبيت الجهاز على الحائط وكذلك المسامير الملولبة من نفس المقاس لمهايك الحائط.
 - استخدم مأخذًا لمصدر إمداد جهاز العرض بالطاقة؛ ومن ثم تجنب توصيل مصدر الإمداد بالطاقة مباشرة بخط المصباح لما ينطوي عليه ذلك من خطورة. استخدم أيضًا مأخذًا يسهل الوصول إليه لكي تتمكن من توصيل قابس الطاقة وفصله.
 - التثبيت على حائط خشبي
 - تأكد أن الحمل مثبت على عمود أو مادة بناء قوية تمامًا. فإذا كانت قوة تحمل مادة البناء أو نحوها غير كافية، يُرجى تعزيزها حينئذٍ. تجنب التثبيت في المواد المزخرفة على الحائط أو ألواح الخشب الداعمة للحائط وما إلى ذلك.
 - التثبيت على حائط خرساني
 - استخدم مسامير الارتكاز المتداولة ذات المقاس M6 (٤/١ بوصة) وصواميل التثبيت وما إلى ذلك لحمل ثقل جهاز العرض.
- لا تتم بتركيب الجهاز في أماكن عرضة للاهتزاز الدائم؛ فقد يتسبب الاهتزاز الذي يمتد لفترة طويلة في خلخلة المسامير الداعمة لوحدة التثبيت على الحائط مما يؤدي إلى سقوط الوحدة وجهاز العرض وحدث إصابات، فضلًا عن تعطيل جهاز العرض.

تحذير !

- لضمان السلامة، تأكد من إحكام المسامير والبراغي ومسامير قفل الأمان بإحكام. قد يؤدي الإخفاق في القيام بذلك إلى سقوط جهاز العرض وحدوث إصابات. 
- تجنّب إدخال تعديلات على أي جزء من الأجزاء؛ فقد يؤدي ذلك إلى سقوط جهاز العرض ووحدة التثبيت على الحائط وحدوث إصابات. 
- لا تستخدم أي أجزاء مكسورة؛ فقد يؤدي ذلك إلى سقوط جهاز العرض ووحدة التثبيت على الحائط وحدوث إصابات. وفي حالة تلف أي جزء، يُرجى استشارة الموزع. 
- لا تنظر إلى نافذة العرض أو المرآة أو العدسات أثناء تشغيل جهاز العرض؛ فقد يؤدي ذلك إلى إلحاق الضرر ببيصرك. 
- لا تتعلّق بجهاز العرض أو وحدة التثبيت على الحائط؛ فقد يؤدي ذلك إلى سقوط جهاز العرض ووحدة التثبيت على الحائط وحدوث إصابات. يُرجى توخي الحذر تجاه الأطفال. 
- لا تستخدم أية مواد لاصقة لمسامير القفل وعوامل التشحيم والزيت وما إلى ذلك مع مهايئ الحائط؛ فقد يؤدي ذلك إلى تدهور حالة مهايئ الحائط ويتسبب في سقوط جهاز العرض وحدوث إصابات. 
- لا تقم بتعليق أي شيء مطلقًا بذراع وحدة التثبيت على الحائط؛ فقد ينكسر الذراع ويسقط ويتسبب في حدوث إصابات. 
- عندما تقوم بخفض الذراع، تأكد من تدعيم قاعدة الذراع قبل إجراء عملية الضبط؛ فقد ينكسر الذراع ويسقط ويتسبب في حدوث إصابات حال عدم تدعيم القاعدة أثناء إجراء عملية الضبط. 

تنبيه !

- لا تسد فتحات التهوية الموجودة بجهاز العرض؛ فقد يؤدي ذلك إلى منع تسرب الحرارة مما قد يتسبب في نشوب حريق. تجنّب استخدام جهاز العرض بالطرق التالية على الأخص: تركيب جهاز العرض في مكان مثل الحائط أو نحو ذلك حيث يصعب تهوية الجهاز وتغطيته وما إلى ذلك. 
- يُحظر تركيب جهاز العرض أمام مأخذ مكيف الهواء أو المدفأة أو في مكان معرض للاهتزازات الخطيرة؛ فقد يؤدي ذلك إلى نشوب حرائق أو حدوث صدمات كهربائية. 
- يُحظر تركيب جهاز العرض في الأماكن الرطبة أو المترربة أو الأماكن التي يتعرّض فيها للدخان الزيتي أو البخار (كالأماكن القريبة من أدوات الطهي أو أجهزة الترتيب)؛ فقد يؤدي ذلك إلى نشوب حريق. 
- ينبغي ترك مساحة كافية بين جهاز العرض والأشياء المحيطة به عند تركيبه؛ فقد يؤدي الإخفاق في القيام بذلك إلى منع تسرب الحرارة مما قد يتسبب في حدوث حرائق. 

يُرجى:

- تجنّب تركيب الجهاز في الحجرات الممتلئة بدخان السجائر وسخام المصابيح وكذلك الأتربة والرطوبة. قد يؤدي ذلك إلى التصاق القاذورات بالأجزاء البصرية مثل العدسات؛ مما ينتج عنه انخفاض جودة الصورة.
- تجنّب الأماكن التي تكون فيها الشاشة عرضة لضوء الشمس المباشر أو مصادر الإضاءة الصناعية. عند مواجهة الشاشة للضوء المحيط بصورة مباشرة، تظهر الصورة باهتة وتصعب مشاهدتها.
- تجنّب الأماكن المعرّضة لدرجات الحرارة العالية أو المنخفضة. قد يؤدي ذلك إلى تعطل جهاز العرض. (لمعرفة درجة حرارة التشغيل المحيطة، يُرجى الرجوع إلى دليل الاستخدام المرفق مع جهاز العرض.)

محتويات العبوة

تأكد من وجود الأجزاء الواردة أدناه في العبوة.



مسامير تأمين للإمالة الأفقية (A): وحدة واحدة

حلقات ربط نابضية (B): وحدة واحدة

حلقة ربط (C): وحدة واحدة

يمكن استخدامها بواسطة الراغبين في تعديل درجة الإمالة الأفقية للشاشة بعد ضبطها. يُرجى الرجوع إلى دليل التركيب لمعرفة طريقة التركيب.



حلقات الربط: ٤



فلكات مبادعة: ٤

تُستخدم لتثبيت المهائى الجداري في الحائط * بالنسبة لمسامير الربط أو المسامير الملولبة الخاصة بتثبيت المهائى على الحائط، استخدم مسامير الربط أو المسامير الملولبة التي تلائم سطح الحائط.



مسامير تأمين ضبط الارتفاع (D):

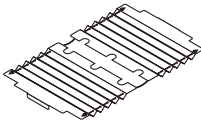
٢ وحدة

يمكن استخدامها بواسطة الراغبين في تأمين ارتفاع الذراع بعد ضبطه. يُرجى الرجوع للجزء الخلفي من دليل التركيب لمعرفة طريقة التركيب.



مفتاح سداسي: ١

يُستخدم هذا المفتاح لربط مسامير قفل الأمان.



ستارة ممتعة: قطعة واحدة

يمكن استخدامها بواسطة الراغبين في إخفاء قاعدة الذراع. يُرجى الرجوع للصفحة الخلفية من دليل التركيب السريع لمعرفة طريقة التركيب.

تثبيتات التركيب: ١

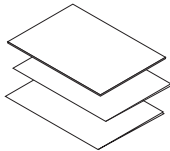
تتضمن هذه التثبيتات احتياطات السلامة الخاصة بتركيب وحدة التثبيت على الحائط وقائمة بالأجزاء المرفقة والمواصفات.

دليل التركيب السريع: ١

يضم هذا الدليل وصفاً مبسطاً لإجراءات التركيب والضبط.

دليل التركيب: ١

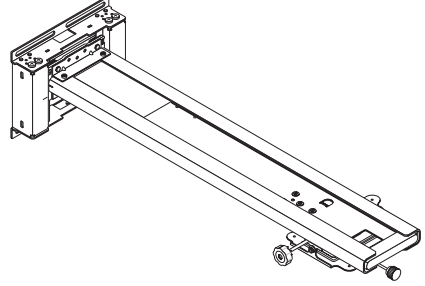
يوضح لك هذا الدليل طريقة تركيب مسامير تأمين الإمالة الأفقية ومسامير تأمين ضبط الارتفاع.



مهائى الحائط: مجموعة واحدة

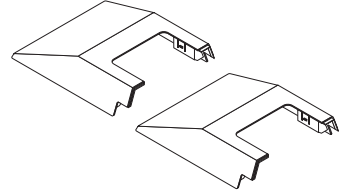
الذراع المنزلق: مجموعة واحدة

يتم تجميع مهائى الحائط والذراع المنزلق عند شحن الجهاز.



أغطية مهائى الحائط: ٢

هذان غطاءان لمهائى الحائط، وهما نوعان متماثلان من الأغطية.



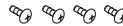
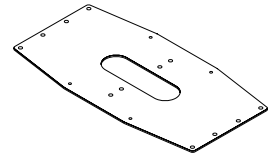
مسامير ٨×M4 مم: ٤

تُستخدم لتثبيت جهاز العرض.

اللوح الجداري: ١

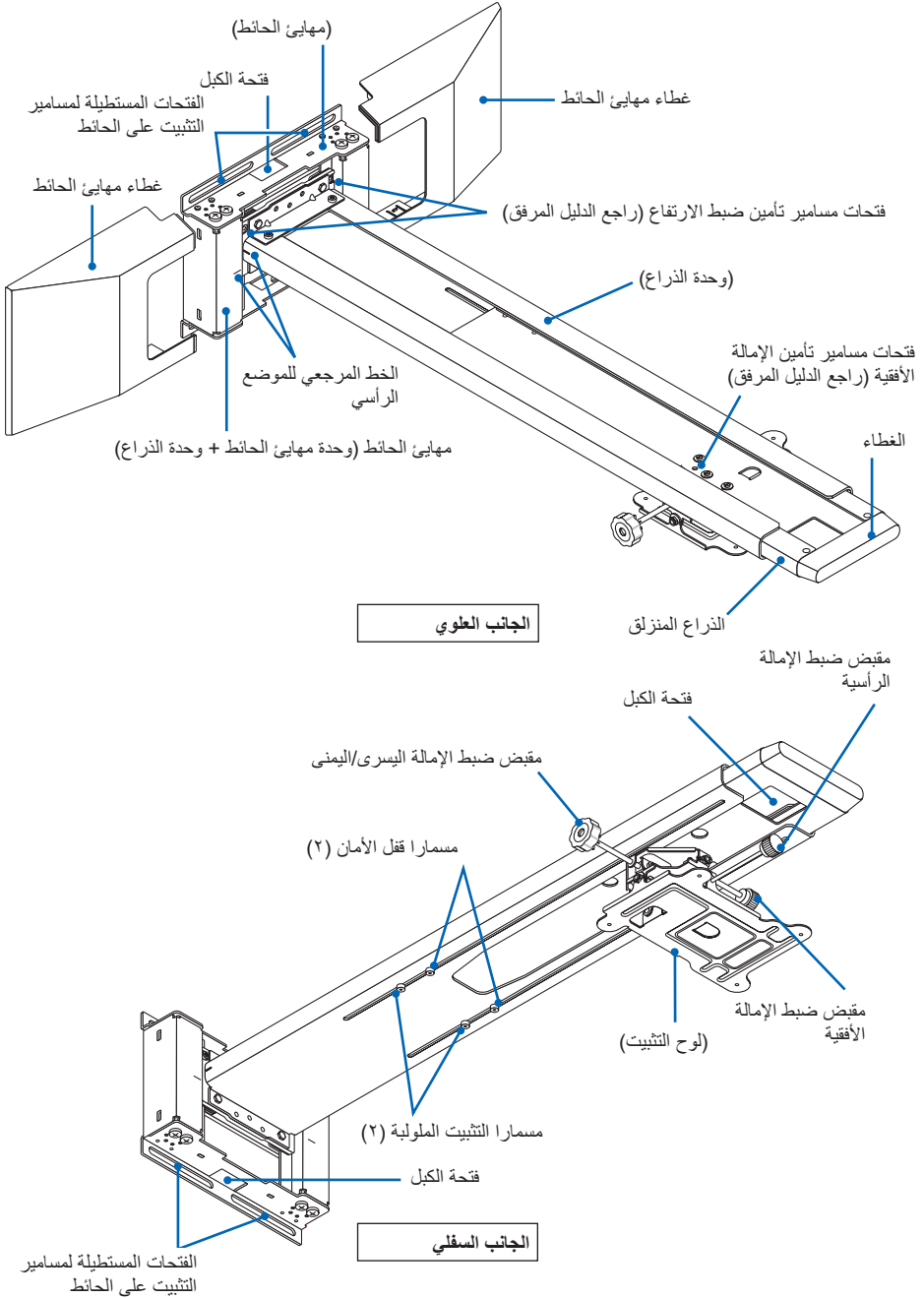
يستخدم هذا اللوح لتثبيت مهائى الحائط في منطقة أمريكا الشمالية.

* بالنسبة لمسامير الربط أو المسامير الملولبة الخاصة بتثبيت المهائى على الحائط، استخدم مسامير الربط أو المسامير الملولبة التي تلائم سطح الحائط.



مسامير مقاس ١٠×M6 مم: ٤

تستخدم هذه المسامير لتثبيت اللوح الجداري على وحدة التثبيت على الحائط.



تركيب جهاز العرض

قبل الشروع في التركيب

١. يُرجى مراعاة المكان الذي يجب تركيب الشاشة به وتحديد الوضع المرغوب لتثبيت وحدة التثبيت الحائطية به. (راجع دليل التركيب السريع)

- من غير الممكن تركيب جهاز العرض بالطريقة التي يتم فيها عرض الصورة بزاوية؛ بل ينبغي وضعه بطريقة يتم فيها عرض الصورة مباشرة إلى الجانب الأمامي.

٢. تأكد من توافق موضع التركيب مع الشروط الموضحة في قسم "تأكد من قراءة الدليل قبل التركيب" الواردة في صفحة عربي-٢ من دليل التعليمات هذا.

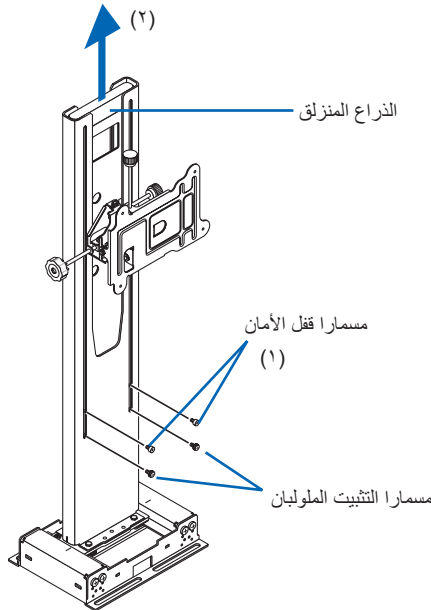
- نظرًا لكبر زاوية ارتفاع المحور البصري بجهاز العرض، فإن التغييرات الطفيفة في مسافة العرض تؤثر تأثيرًا بالغًا على تغيير حجم الصورة المعروضة وموضعها؛ كما يزداد تشوه الصورة في حال بُعد الاتجاه المواجه لجهاز العرض.

خطوات الإعداد:

١. أحضر مفك براغي فيليبس (مغناطيسي) والمفتاح السداسي المرفق.
٢. انزع غطاء كبل الجهاز. للاطلاع على التعليمات، راجع تعليمات التشغيل ذات الصلة.

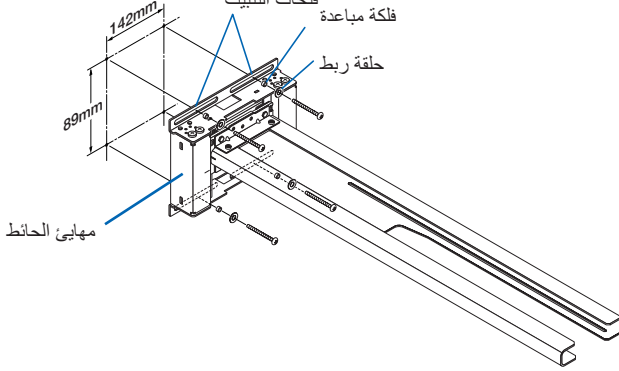
١. قم بإزالة الذراع المنزلق.

- يتم تجميع مهابئ الحائط والذراع المنزلق عند شحن الجهاز.
- (١) قم بإزالة مسماري التثبيت ومسماري قفل الأمان.
 - (٢) اسحب الذراع المنزلق للخارج.



٢. قم بتركيب مهائى الحائط في المادة الهيكلية للجدار.

- استخدم حلقات الربط وفلكات المبادعة المرفقة لتركيب مهائى الحائط باستخدام مسامير M6 الملولبة (أو مسامير الربط).
- يرجى الرجوع إلى الدليل المرفق "دليل التركيب السريع" وكذلك إلى قسم "أبعاد الأجزاء" في صفحة عربي-٦ لمعرفة موضع التركيب والأبعاد.
- تأكد من إحكام ربط المسامير في وسط فتحات التثبيت، نظرًا لكونها النقاط المرجعية للموضع الأفقي.
- يجب تثبيت مهائى الحائط في الاتجاه العلوي/السفلي الصحيح، قم بتثبيت المهائى في الاتجاه المبين على الرسم التوضيحي.
- يصل نطاق ضبط الموضع الأفقي إلى ± 5 مم.



تنبيه

- ينبغي أن يقوم شخصان بعملية التثبيت.

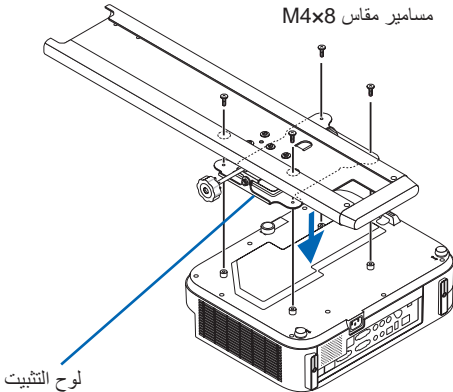
تحذير

- احرص على استخدام مسامير ملولبة M6 (١/٤ بوصة) أو مسامير ربط (٤ مواقع) لتثبيت قاعدة مهائى الحائط. قد ينتج عن استخدام مسامير أخرى غير مسامير M6 (أو مسامير الربط) سقوط الجهاز وحدوث إصابات.

٣. قم بتركيب جهاز العرض على لوح التثبيت.

- قم بمحاذاة فتحات المسامير في لوح التثبيت بفتحات المسامير الموجودة بقاعدة جهاز العرض ثم أحكم ربط المسامير الأربعة المرفقة بمقاس M4x8.
- ضع قطعة قماش سميكة أو ناعمة أو ما شابه ذلك على الأرض لحماية جهاز العرض من حدوث أي خدوش.

ملاحظة: مقاس المسامير "MAX.M4 x 8" (بحد أقصى) موضح على فتحات المسامير الأربعة الموجودة بقاعدة الجهاز. يرجى ملاحظة أن هذا التوضيح لا يخص مهائى هذا الجهاز.



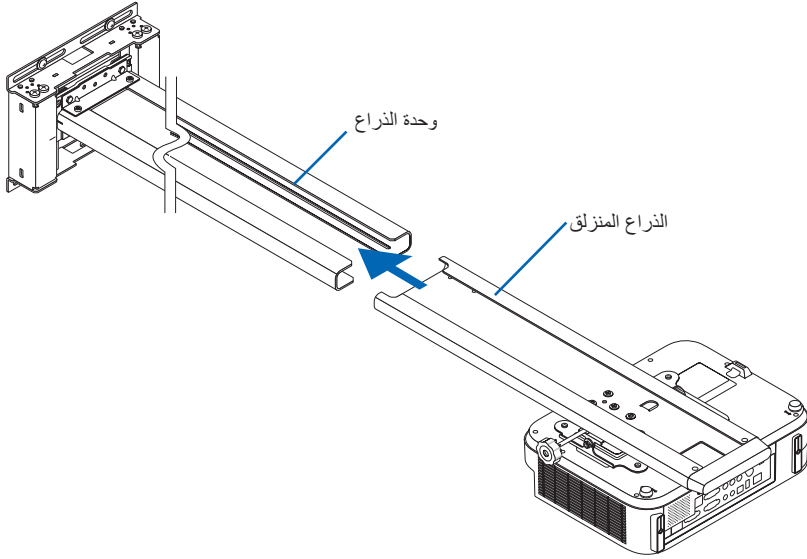
تنبيه

- احرص على عدم لمس نافذة عرض الجهاز عند تثبيته.

تحذير

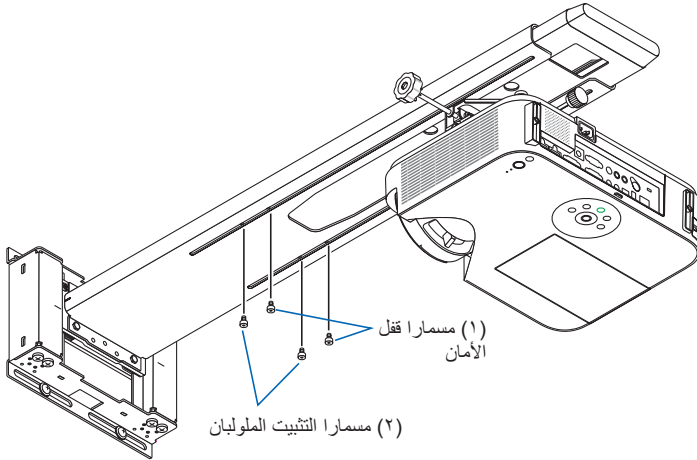
- قد يؤدي تثبيت جهاز العرض باستخدام مسامير أخرى غير المسامير المرفقة إلى تلف الجهاز أو التسبب في سقوطه وحدوث إصابات؛ لذا تأكد من استخدام المسامير المرفقة.

٤. أدخل الذراع المنزلق في الوحدة الخاصة بالذراع.



٥. اربط مسماري قفل الأمان ومسماري التثبيت الموليبين.

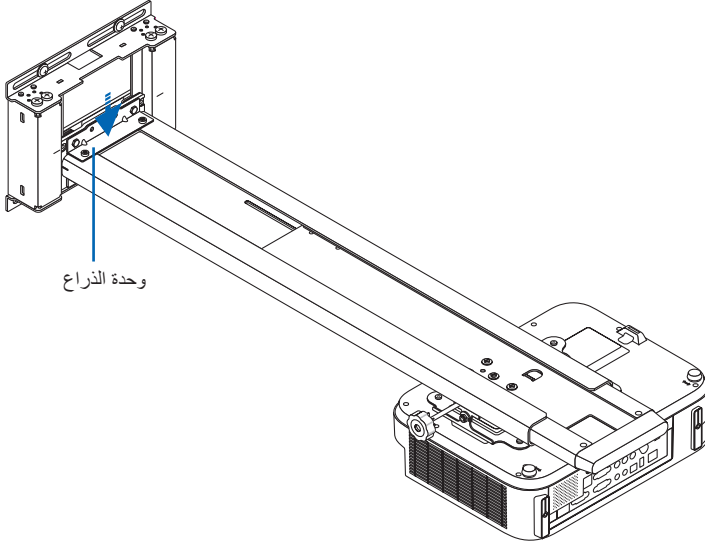
- (١) استخدم المفتاح السداسي المرفق لربط مسماري قفل الأمان بإحكام.
- (٢) اترك مسماري التثبيت الموليبين مخلخين، ثم أحكم ربطهما بعد إجراء عملية الضبط.



* يبين هذا الرسم التوضيحي الجانب السفلي للجهاز.

٦. اضبط الإعداد الأولي للموضع الرأسي لوحدة الذراع.

يتم ضبط وحدة الذراع على الموضع العلوي عند الشحن من المصنع. احرص على إمساك وحدة الذراع وإنزالها إلى الموضع السفلي تمامًا مرة واحدة. بهذا تكون قد انتهيت من الإعداد الأولي للموضع الرأسي لوحدة الذراع.



تحذير ⚠

- تجنب إزالة مسامير قفل الأمان ما عدا تلك المسامير الخاصة بالتجميع؛ فقد يؤدي القيام بذلك إلى انحراف الذراع المنزلق وسقوطه مما يتسبب في حدوث الإصابات.
- عند خفض الذراع للضبط، تأكد من الإمساك به من القاعدة. وفي حالة الإمساك به من أي موضع آخر أثناء الضبط، فقد يتعرض الذراع للتلف أو السقوط مما يتسبب في حدوث الإصابات.

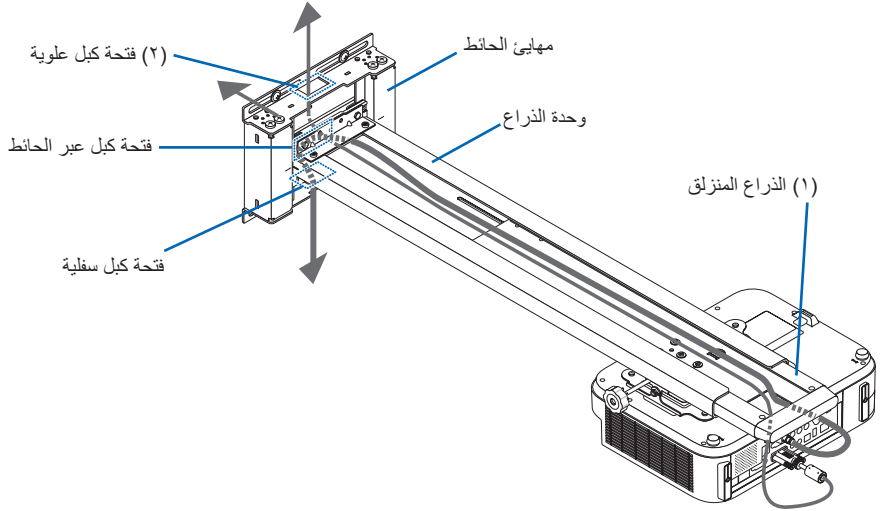
٧. توصيل الكبلات

يمكن تمرير كبل الطاقة وكبل (كبلات) الإشارة من خلال الذراع المنزلق ومهائبي الحائط. توجد فتحة كبل واحدة في الذراع المنزلق وثلاث فتحات كبلات في مهائبي الحائط (علوية وعبر الحائط وسفلية). حدّد فتحات الكبل التي يجب استخدامها طبقاً لشروط توصيلات الكبلات.

- (١) مرّر الكبلات من خلال فتحة الكبل الموجودة في الذراع المنزلق ثم إلى طرف وحدة الذراع.
- (٢) مرّر الكبلات من خلال فتحة الكبل العلوية أو السفلية أو المتوسطة في مهائبي الحائط.

تنبيه

- يتعين توفير كبل طويل بما يكفي للسماح بضغط الذراع المنزلق.
- في حالة وجود العديد من كبلات الإشارة، احرص على تجميعها معاً. ومع ذلك تجنّب تجميعها مع كبل الطاقة؛ فقد يؤدي ذلك إلى تداخل الضوضاء الصادرة عن وحدة الإمداد بالطاقة.



بهذا تكون قد انتهيت من تركيب جهاز العرض.

قم بتثبيت غطاء كبل جهاز العرض وغطائِي مهائبي الحائط بعد ضبط الصورة المعروضة.

ضبط تشوه الصورة المعروضة

■ قبل الضبط

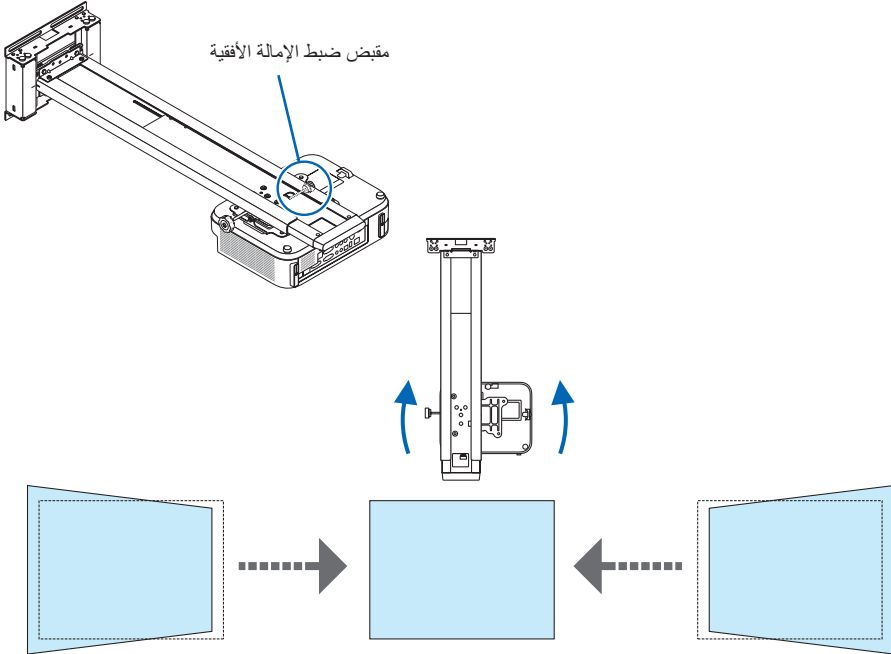
إعداد جهاز العرض

- اعرض صورة من الجهاز ثم قم أولاً بتحريك عجلة التركيز بالجهاز لضبط تركيز الصورة المعروضة بشكل تقريبي. للاطلاع على تعليمات حول عرض الصور، راجع قسم "عرض الصور (التشغيل الأولي)" في دليل المستخدم (القرص المدمج) المرفق مع الجهاز.
- قم بتحديد طريقة العرض "Ceiling/Front" (السقف/أمامي) في "Installation" (التركيب) أو "Settings" (الإعدادات) بقائمة المعلومات المعروضة على الشاشة.
- بالنسبة لأجهزة العرض التي تتميز بوجود وظيفة نمط الاختبار، تعد عملية الضبط أسهل من خلال عرض نمط الاختبار.

تشير الرسومات التوضيحية إلى التغييرات الطارئة على الصورة المعروضة الخاصة بأحد إعدادات الضبط في إحدى المرات فقط؛ إلا أن التشوه قد يتكون بفعل بعض العوامل في الظروف الحقيقية.

١. اضبط اتجاه جهاز العرض في الاتجاه الأفقي.

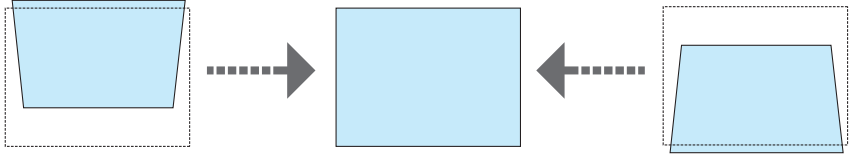
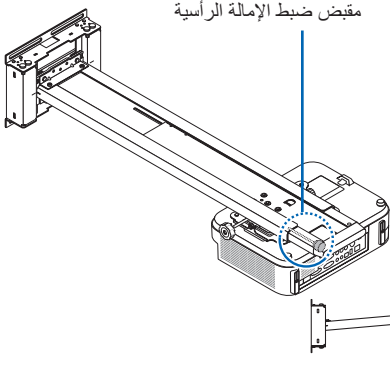
أدر مقبض ضبط الإمالة الأفقية واضبطه حتى يتم موازنة الحواف السفلية والعلوية للصورة المعروضة. - يصل نطاق الضبط إلى ± 5 درجات.



٢. اضبط درجة إمالة جهاز العرض في

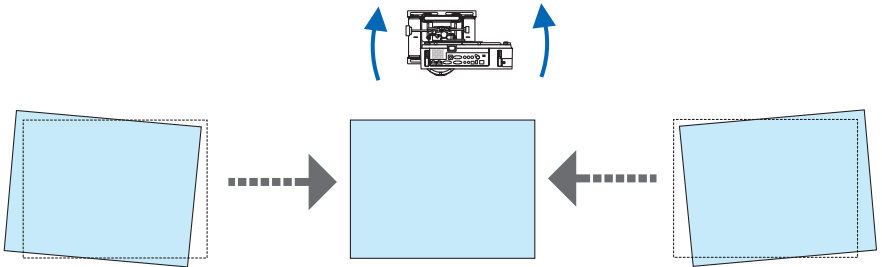
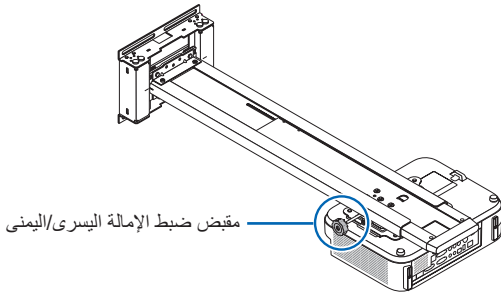
الاتجاه الرأسى.

أدر مقبض ضبط الإمالة الرأسية واضبطه حتى يتم موازاة الحواف اليسرى واليمنى للصورة المعروضة.
- يصل نطاق الضبط إلى ± 5 درجات.

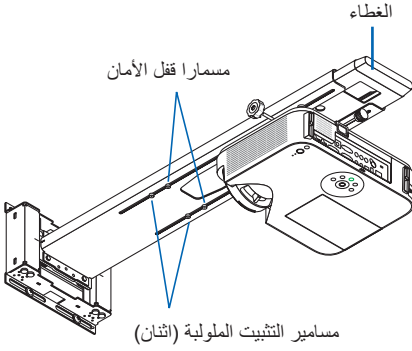


٣. اضبط درجة إمالة جهاز العرض في الاتجاه الدائرى.

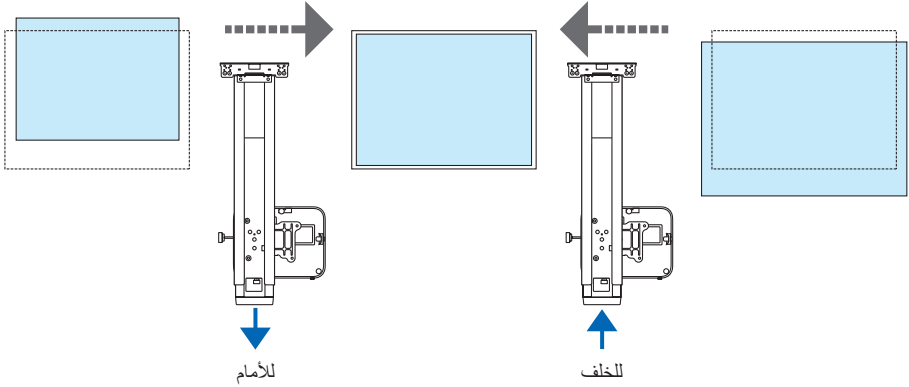
أدر مقبض ضبط الإمالة اليسرى/اليمنى واضبطه حتى يتم موازاة الصورة على الشاشة.
- يصل نطاق الضبط إلى ± 5 درجات.



٤. اضبط حجم الصورة المعروضة.



- (١) قم بخلخلة مسماري تثبيت وحدة الذراع.
- (٢) مع إمساك غطاء الذراع المنزلق، قم بتحريك إلى الأمام أو الخلف لعرض الصورة على الشاشة بأكملها.
- عند إجراء عملية التركيب باتباع التعليمات الواردة في قسم "مسافة العرض ومقاس الشاشة"، يتم عرض الصورة حول المركز.
- يتحرك الذراع المنزلق بمقدار ٦٠٠ مم بحد أقصى.
- بالنظر إلى التغير الذي يحدث بمرور الوقت على موضع ضبط الصورة المعروضة، قم بالضبط بحيث تكون الصورة المعروضة أصغر قليلاً من الشاشة (حوالي ٢٠ مم).



تحذير

- تجنب إزالة مسامير قفل الأمان ما عدا تلك المسامير الخاصة بالتجميع؛ فقد يؤدي القيام بذلك إلى انحراف الذراع المنزلق وسقوطه مما يتسبب في حدوث الإصابات.

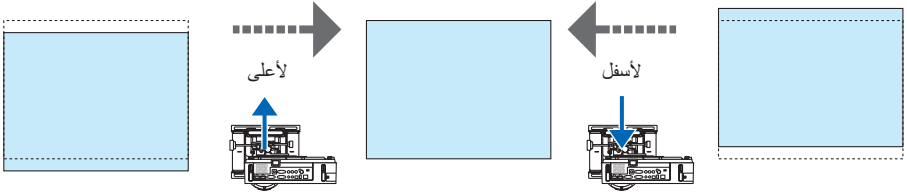
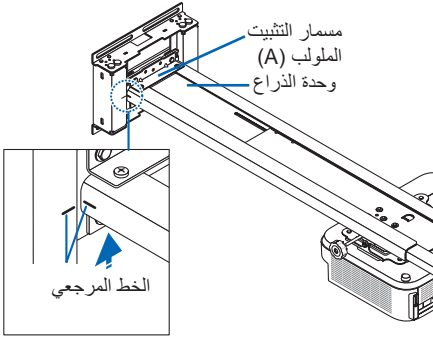
٥. اضبط في الاتجاه الرأسى.

أمسك قاعدة الذراع وحركها لأعلى مع مراعاة الخط المرجعي كدليل. اضبط الصورة المعروضة بحيث تكون في وسط سطح الشاشة.

* في حالة تحريك الصورة المعروضة لأعلى أكثر من اللازم مقارنة بسطح الشاشة، يكون من السهل ضبطها من خلال الإمساك بقاعدة الذراع أولاً وخفض الذراع ثم تحريكه لأعلى مرة أخرى.

- تستخدم وحدة الذراع النابضية لتقليل الحمل عند تحريكه لأعلى.

- يصل نطاق الضبط إلى ± 40 مم.



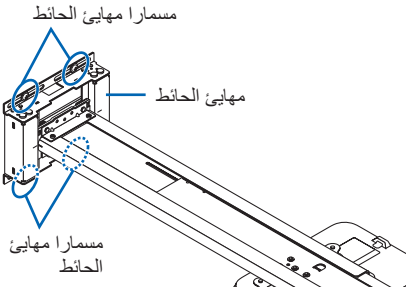
تحذير

- عند خفض الذراع للضبط، تأكد من الإمساك به من القاعدة. وفي حالة الإمساك به من أي موضع آخر أثناء الضبط، فقد يتعرض الذراع للتلف أو السقوط مما يتسبب في حدوث الإصابات.

٦. اضبط في الاتجاه الأفقى.

في حالة انحراف الصورة المعروضة على الشاشة من أحد الجانبين، قم بخلخلة المسامير الأربعة الخاصة بمهايئ الحائط بعض الشيء ثم حرك مهايئ الحائط لضبطه.

- يصل نطاق الضبط إلى ± 50 مم.



تحذير

- تجنب خلخلة المسامير أكثر من اللازم؛ فقد يؤدي القيام بذلك إلى الإضرار بتجهيزات التثبيت أو سقوطها مما يسفر عن الإصابات.

٧. بمجرد الانتهاء من عمليات الضبط، أحكم ربط جميع المسامير التي تم خلختها.

٨. قم بتركيب الغطاءين على مهائى الحائط.

يتميز الغطاء (A) والغطاء (B) بنفس الشكل.

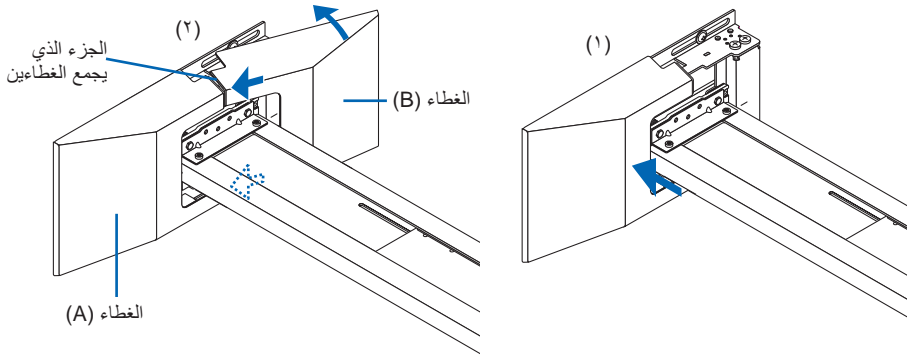
تركيب الغطاءين

(١) ادفع أحد الغطاءين في مهائى الحائط.

- عندئذ يتم ملائمة الألسنة الأربعة في الجزء الخلفي من الغطاء مع المزاليج الموجودة بمهائى الحائط مما يؤدي إلى تثبيت الغطاء في مكانه.

(٢) أدخل الغطاء (B) من إحدى الزوايا، ثم قم بتدويره مع مراعاة الألسنة.

- عندئذ يتم ملائمة الألسنة الأربعة في الجزء الخلفي من الغطاء مع المزاليج الموجودة بمهائى الحائط مما يؤدي إلى تثبيت الغطاء في مكانه.



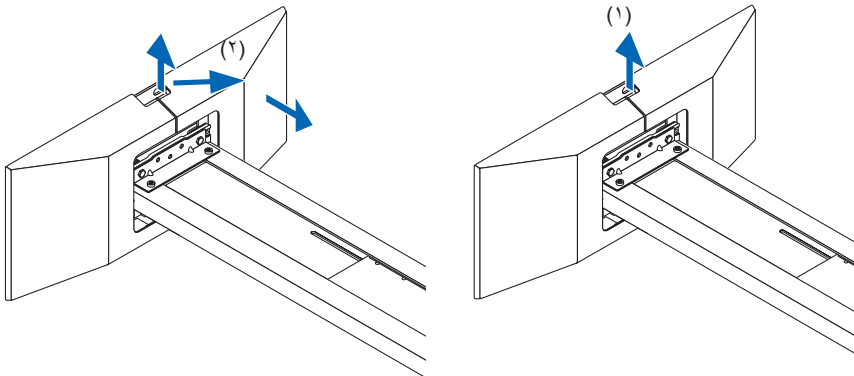
إزالة الغطاءين

(١) ضع أحد أصابعك في الفتحة الموجودة أعلى الغطاء، ثم ارفعه لأعلى برفق لفك الألسنة.

(٢) اسحب بشكل قطري كما هو موضح بالأسهام، ثم حرّك الغطاء تجاهك لإزالته. قم بإزالة الغطاء الآخر باتباع نفس الخطوات.

تنبيه

- تجنب السحب بقوة في حالة عدم فك الألسنة الموجودة أسفل الغطاء؛ فقد يؤدي ذلك إلى تلف الألسنة.



٩. قم بتركيب غطاء الكبل على جهاز العرض.

للاطلاع على تعليمات تركيب الغطاء، راجع دليل المستخدم.



تحذير

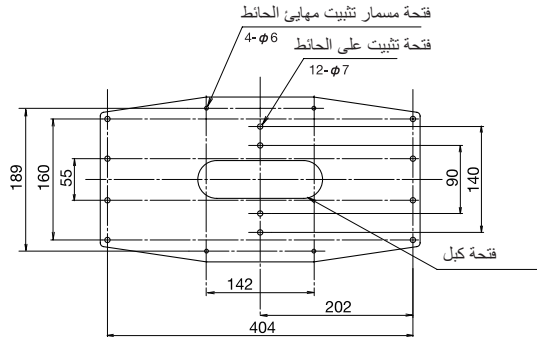
- تجنب تجميع كبل الطاقة مع الكبلات الأخرى ووضعها تحت غطاء الكبل؛ فقد يؤدي ذلك إلى نشوب حريق.

بهذا تكون قد انتهيت من التركيب والضبط.

اسم المنتج	: وحدة التثبيت على الحائط
اسم الطراز	: NP05WK/NP05WK1
الزوايا القابلة للضبط	: الزاوية الرأسية ± 5 درجات؛ الزاوية الأفقية ± 5 درجات؛ زاوية الإمالة ± 5 درجات
المواقع القابلة للضبط	: الأمامي/الخلفي - ٤٢٢؛ الأفقي - $50 \pm$ مم؛ الرأسى - $40 \pm$ مم
الأبعاد الخارجية	: ٥٣٠ مم (العرض) X ٩٤٢ مم (العمق) (NP05WK1)؛ ٥٣٠ مم (العرض) X ٩٤٥ مم (العمق) X ٢٢٣ مم (الارتفاع)
الوزن	: حوالي ١٣,٧ كجم (NP05WK1: ١٥,٥ كجم)
طاقة الحمل	: ٥,٠ كجم
هذه المواصفات والتصميمات عرضة للتغيير دون إخطار.	

استخدام اللوح الجداري (الطراز NP05WK1 فقط)

عند تركيب مهابئ الحائط باستخدام اللوح الجداري، اصنع ١٦ فتحة في الحائط في المواضع المشار إليها أدناه. كما يجب استخدام الفتحات ذات العمق والقطر المناسب للمسامير الخاصة بها.
الرسومات ذات الأبعاد الخاصة بمواقع المسامير (الوحدات: مم)



- (١) قم بتوصيل اللوح الجداري المرفق بالجزء الرأسي في الحائط باستخدام مسامير التثبيت (أو مسامير الربط) (في ١٢ موقعاً).
- (٢) أحكم تثبيت مهابئ الحائط على اللوح الجداري باستخدام المسامير المرفقة (M6x10) وقلكات المبادعة وحلقات الربط (٤ مواقع). للاطلاع على التثبيتات وما إلى ذلك، يُرجى الرجوع إلى الصفحة عربي-٨.

