

MultiSync ME Series Large Format Installation Guide

[Ver.1.0]

Contents:

Product Description and Notes	Page 1
Rotation	Page 1
Ventilation Recommendations	Page 2
Display Dimensions	Pages 3-10
Optional Stand Dimensions	Page 11-12
Optional Wall Mount Dimensions	Page 13
Optional Speaker Dimensions	Page 14
Intel® Smart Display Module Integration	Page 15
Compute Module Integration	Page 16
Input Panel	Page 17
ASCII Commands	Page 18
PD Comms Tool	Page 18
Cable Connection	Page 19
Browser Control	Page 19



Product Description:

Type: LCD Display
 Resolution: 3840 x 2160
 Aspect Ratio: 16:9
 EMI: Class B

	Dimensions (without stand)	Weight (without stand)	VESA Pattern	Power Consumption (Typical) (Max Brightness) (Absolute Max*)	BTU's (Typical) (Max Brightness) Absolute Max*)
M431-2	973.0 x 561.2 x 62.6mm 38.31 x 22.09 x 2.46in.	30.6 lbs. / 13.9kg	200 x 200mm (M6 x 4-hole)	80W 95W 175W	272.8 BTU/hr 323.95 BTU/hr 596.75 BTU/hr
M501-2	1128.4 x 649.0 x 62.6mm 44.43 x 25.55 x 2.46in.	38.1 lbs. / 17.3kg	400 x 400mm (M6 x 4-hole)	85W 100W 210W	289.85 BTU/hr 341 BTU/hr 716.1 BTU/hr
M551-2	1241.8 x 712.6 x 62.6mm 48.89 x 28.06 x 2.46in.	43.7 lbs. / 19.8kg	400 x 400 (M6 x 4-hole)	120W 155W 265W	409.2 BTU/hr 528.55 BTU/hr 903.65 BTU/hr
M651-2	1462.3 x 837.3 x 81.7mm 57.57 x 32.96 x 2.68in.	64.8 lbs. / 29.4kg	400 x 400 (M8 x 4-hole)	165W 215W 320W	562.65 BTU/hr 733.15 BTU/hr 1091.2 BTU/hr

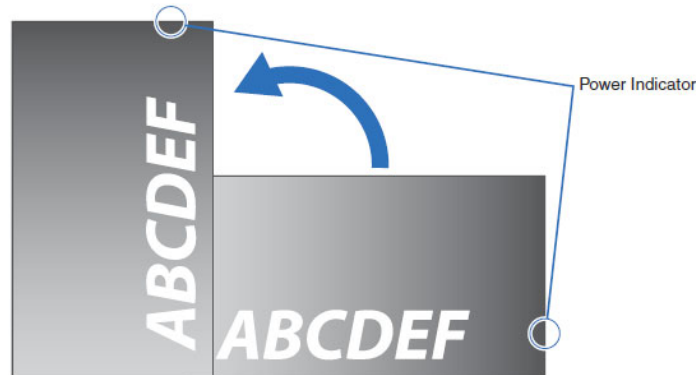
*Absolute Max refers to when the display is at full brightness with all slots active and volume at 100.

NOTES:

- This document is intended to be used as a reference guide to supply useful information for a design or installation. It is not intended to be a step-by step procedure for installation.
- Any ceilings or walls must be strong enough to support the monitor and the installation must be in accordance with any local building codes. All mounts should make secure contact to wood studs.
- Distances are in inches, for millimeters multiply by 25.4. Distances may vary ±5%.

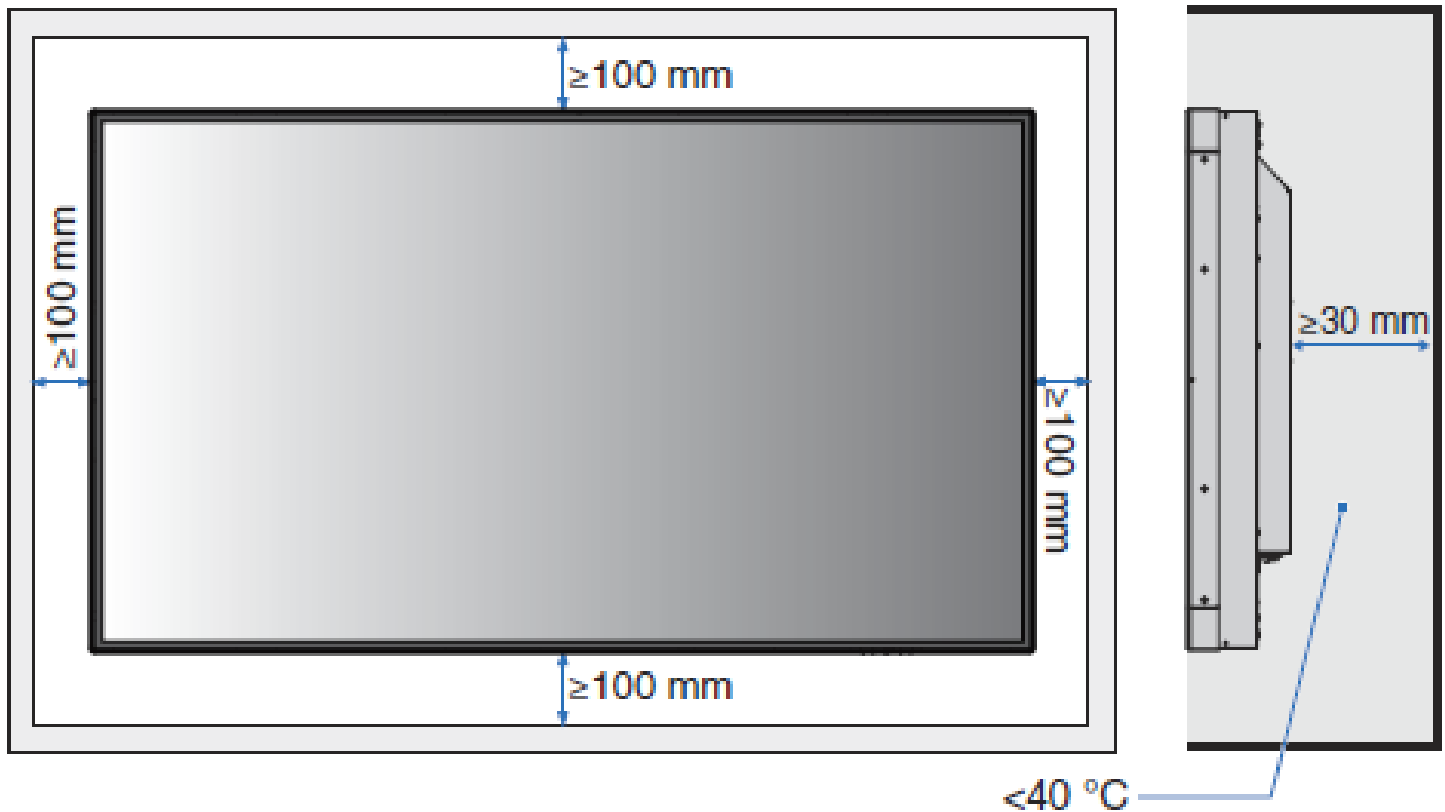
Rotation:

- If display is to be used in portrait orientation, rotation needs to be **counterclockwise**.



Ventilation Recommendations:

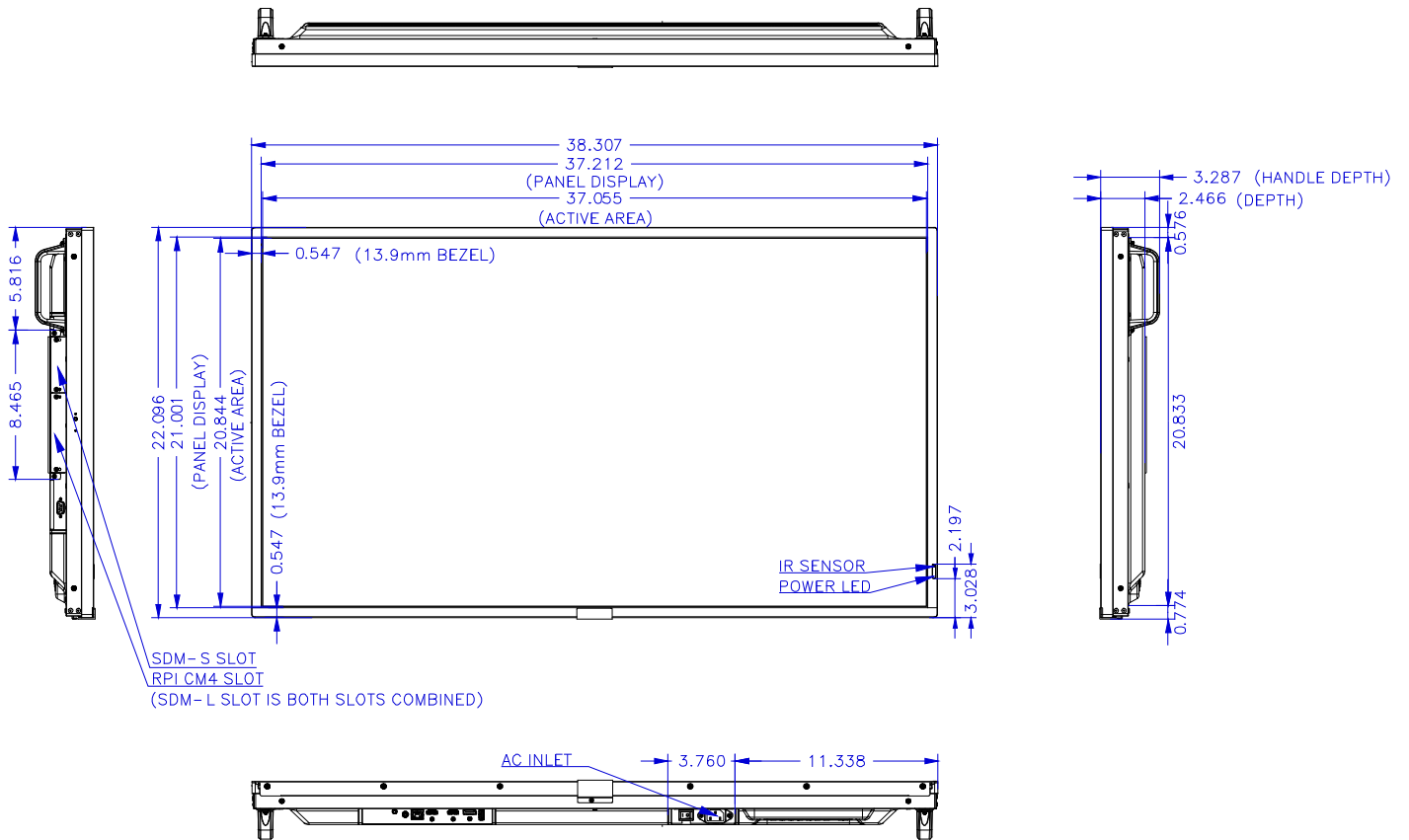
Dimensions below are minimum recommended for proper ventilation.



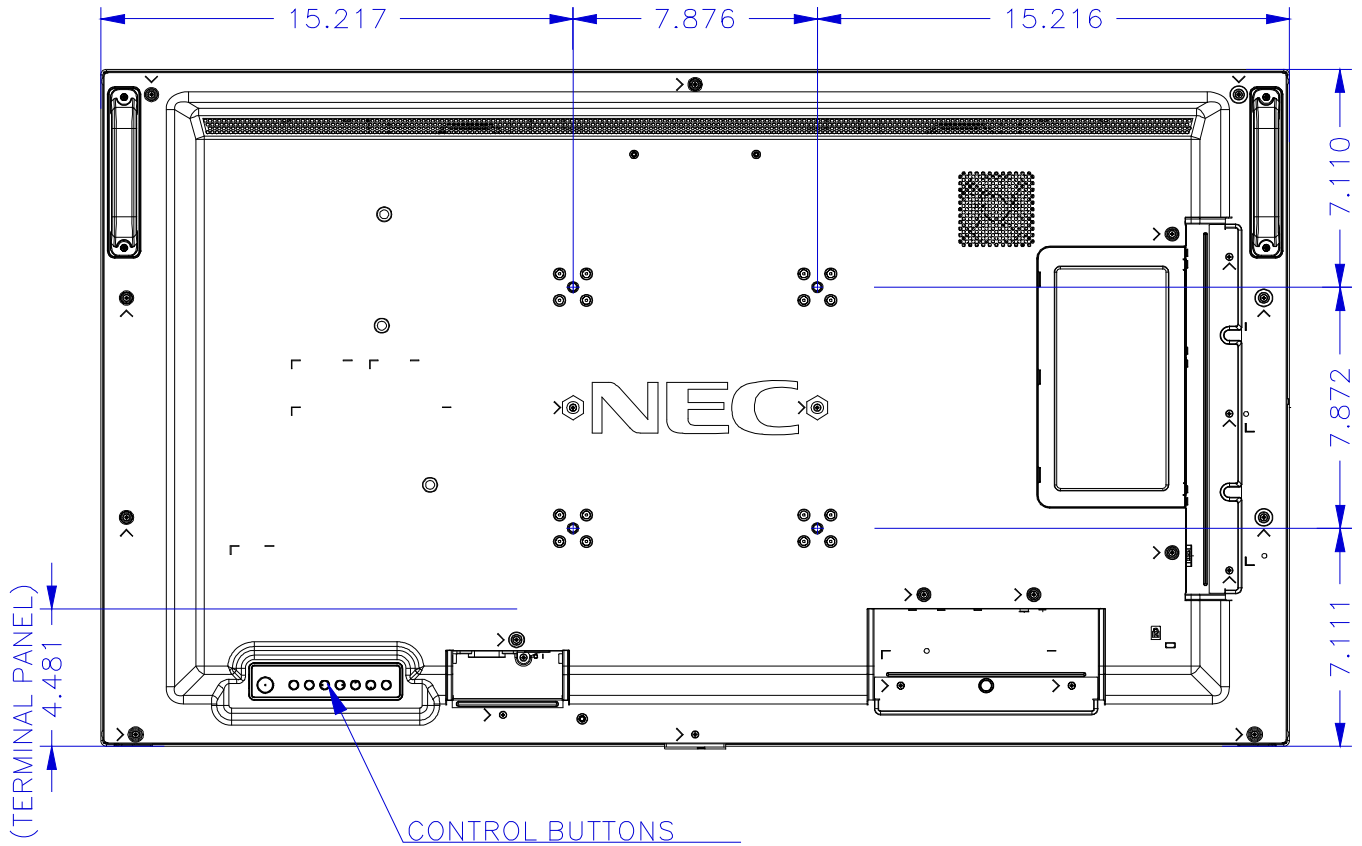
NOTE:

- The above are recommendations in order to keep your display as cool as possible. If the distances are less than the 100mm, extra ventilation may be necessary. The ventilation space should not be covered or closed off at the front of the opening. If for some reason the opening needs to be covered, other means of ventilation will need to be incorporated into the design. Contact NEC for design review and recommendations.

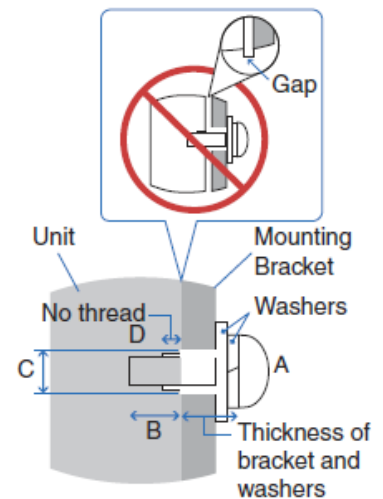
Display Dimensions – ME431:



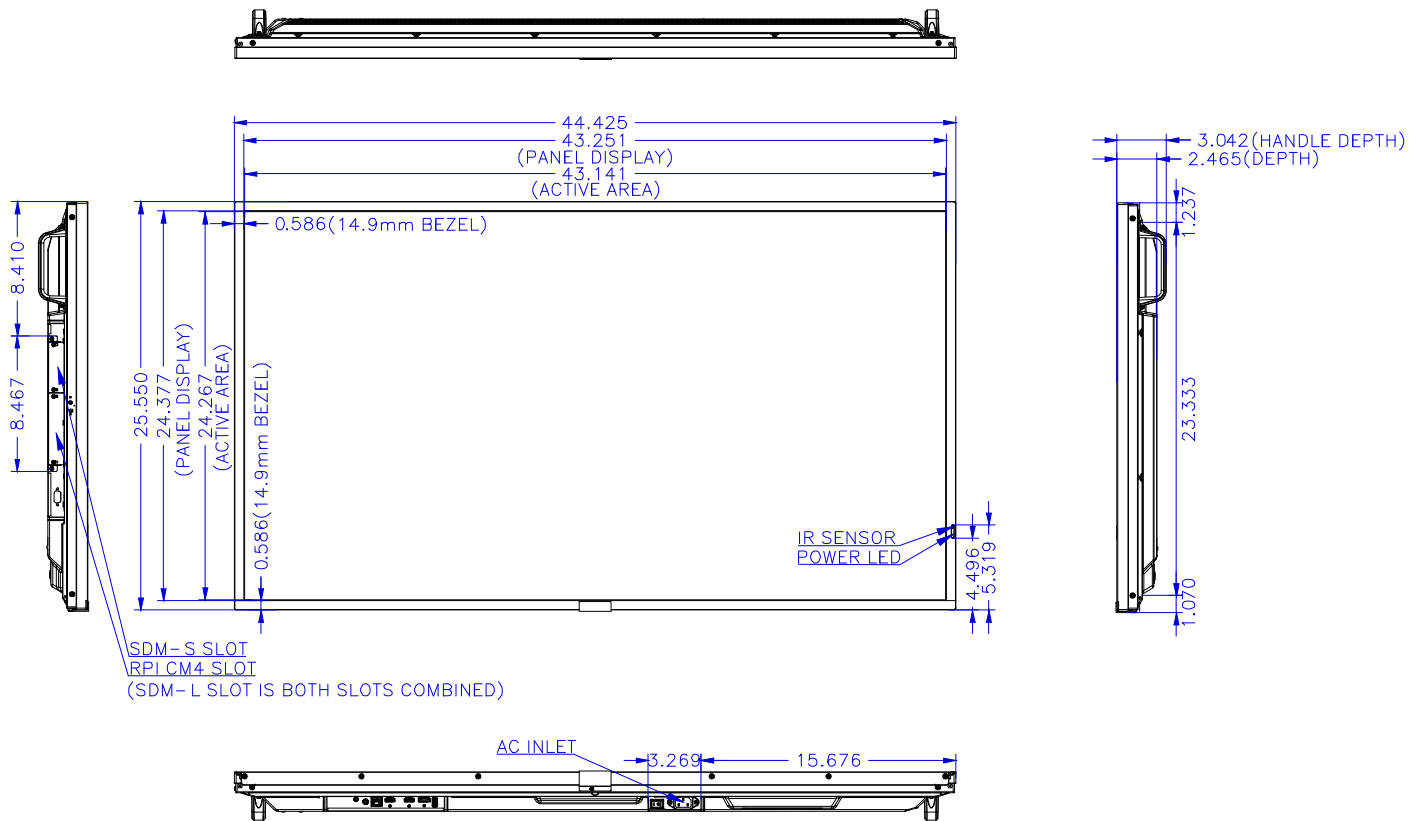
Display Dimensions – ME431 cont'd:



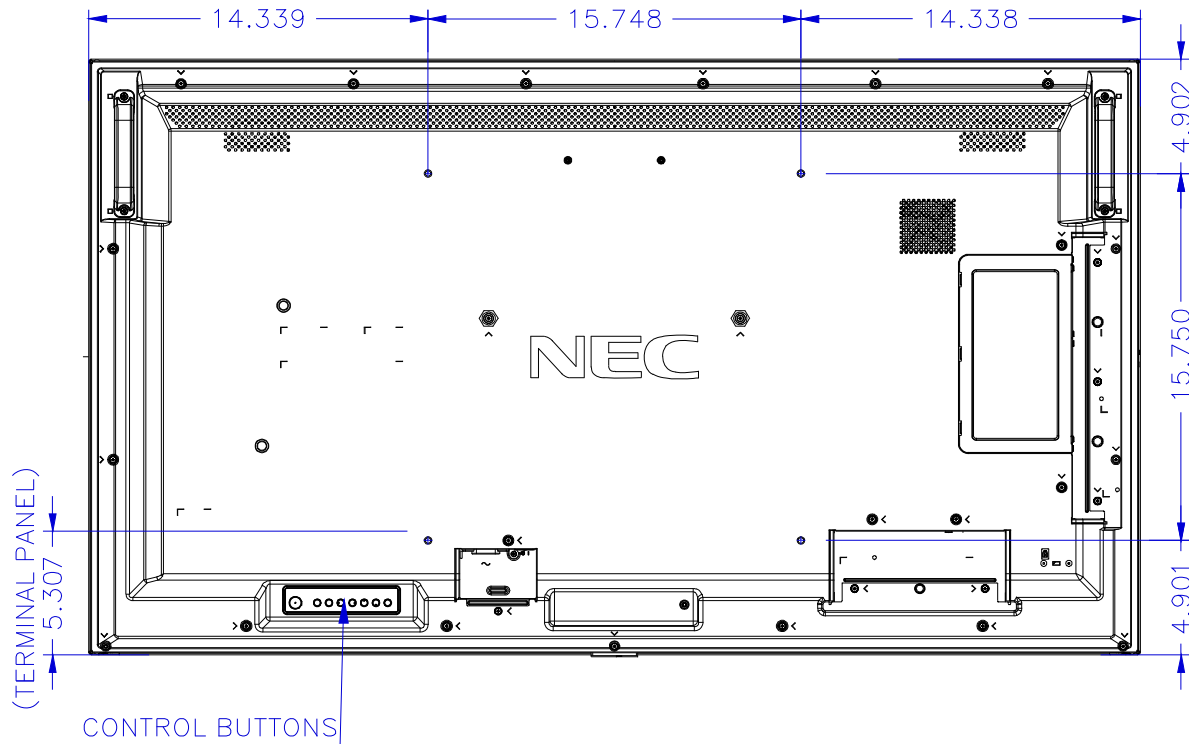
NEC strongly recommends using size M6 screws (10-12mm + the thickness of the bracket and washers in length).



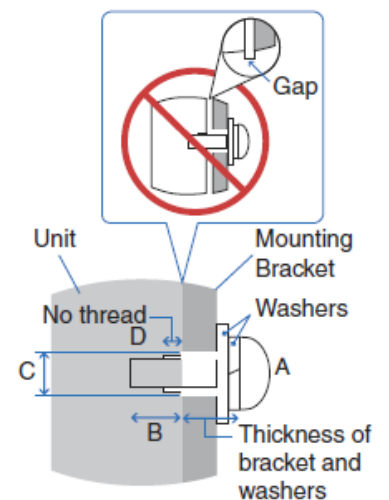
Display Dimensions – ME501:



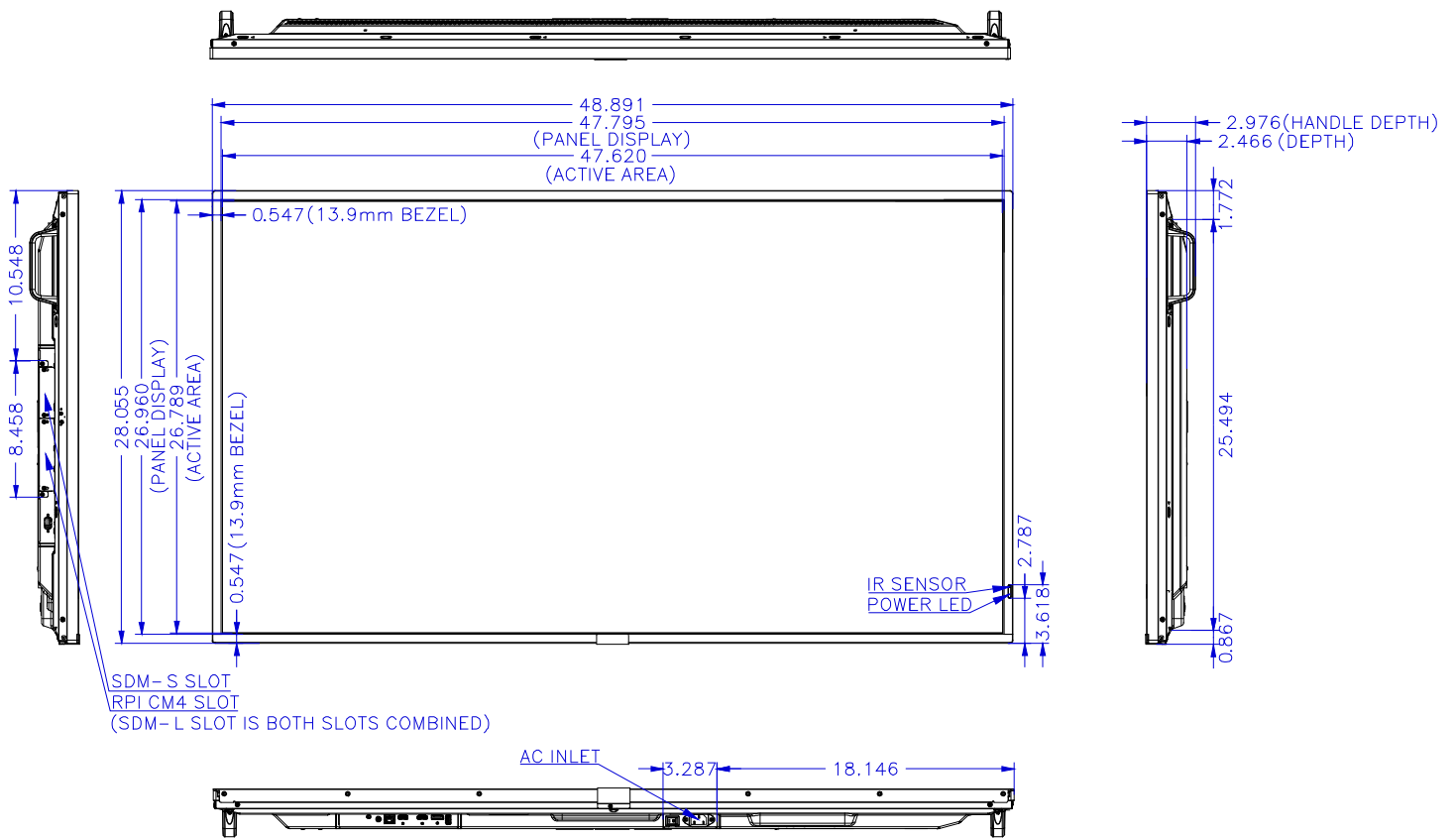
Display Dimensions – ME501 cont'd:



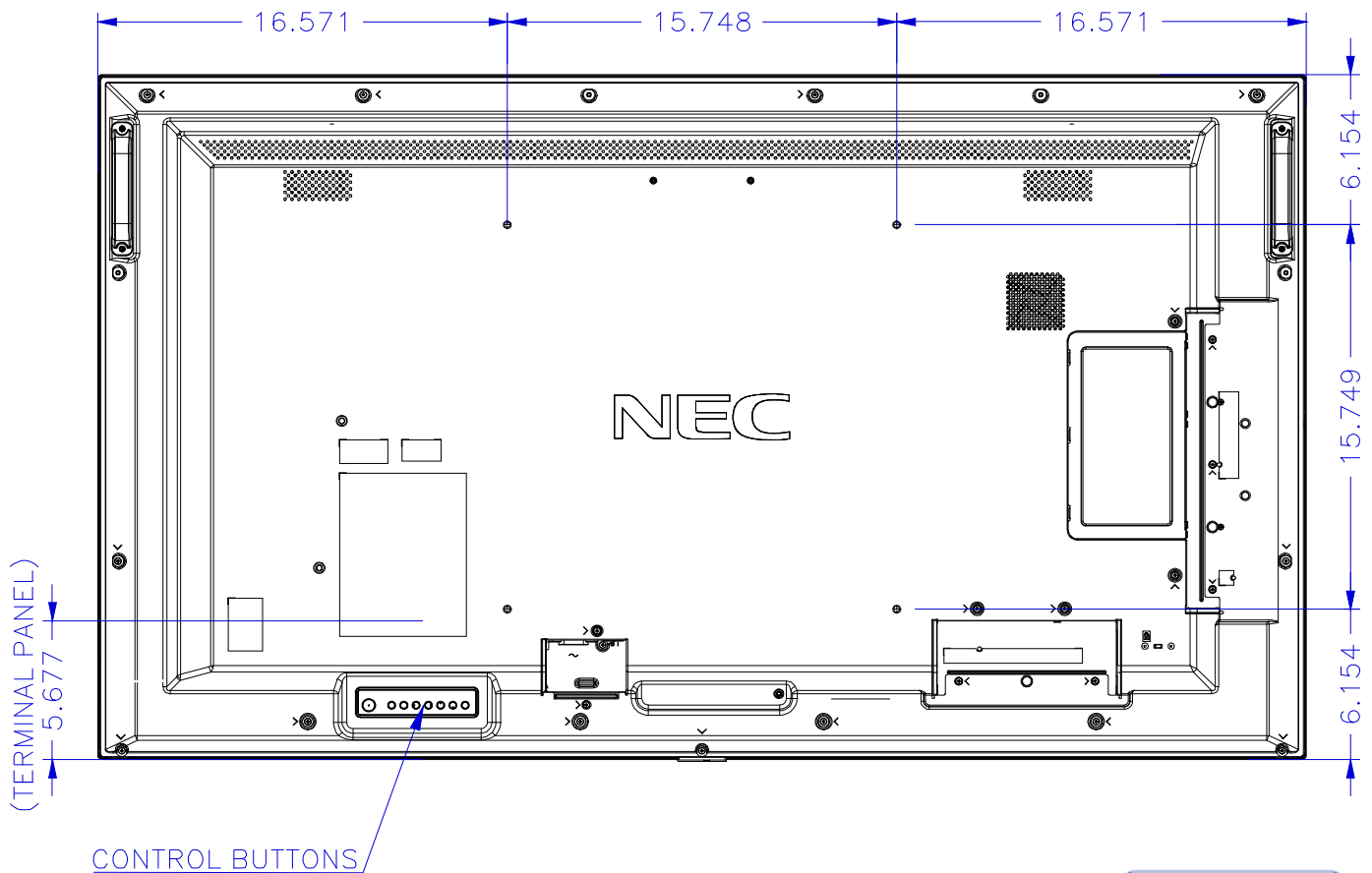
NEC strongly recommends using size M6 screws (10-12mm + the thickness of the bracket and washers in length).



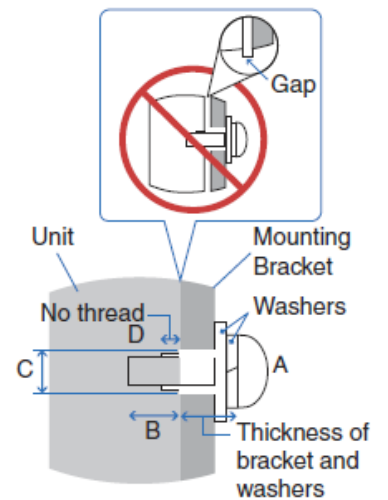
Display Dimensions – ME551:



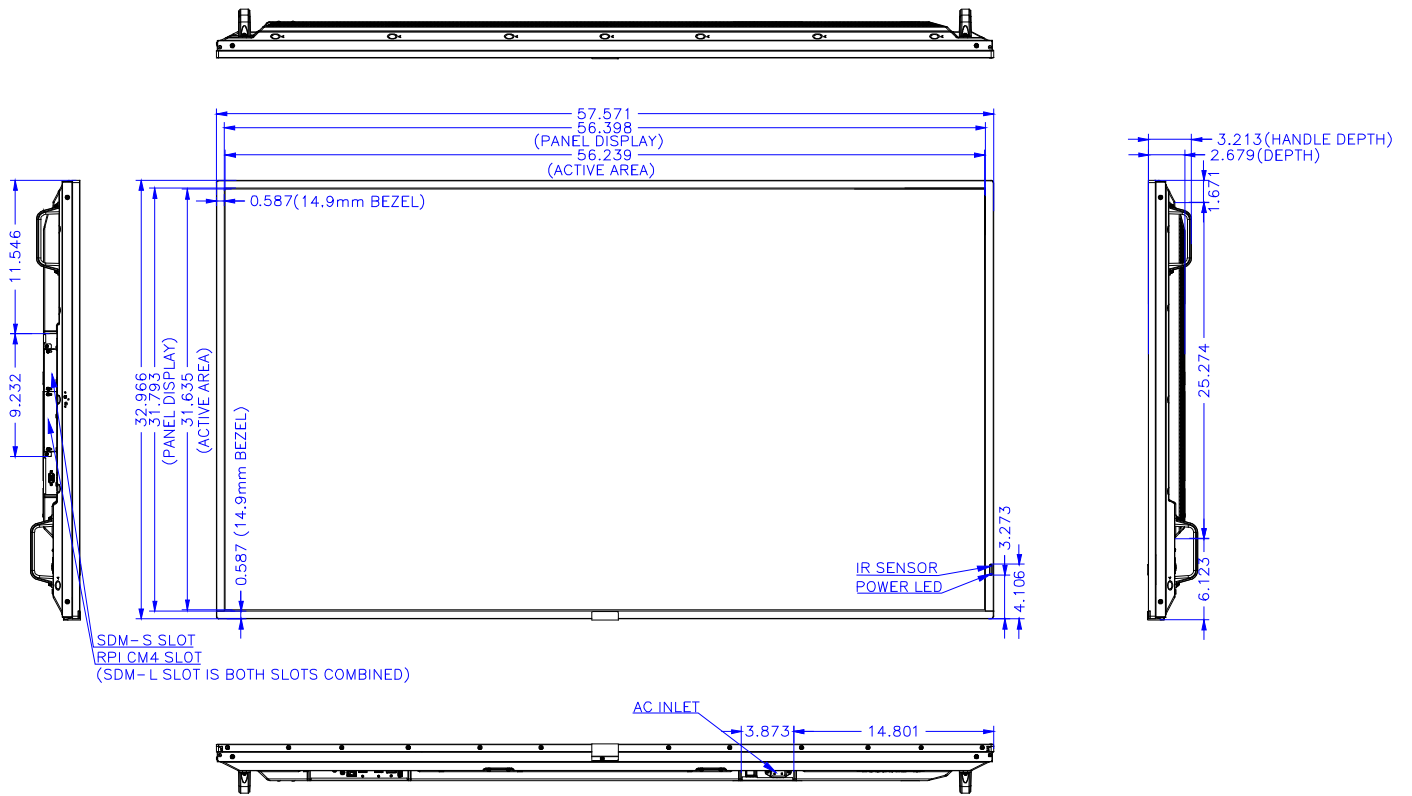
Display Dimensions – ME551 cont'd:



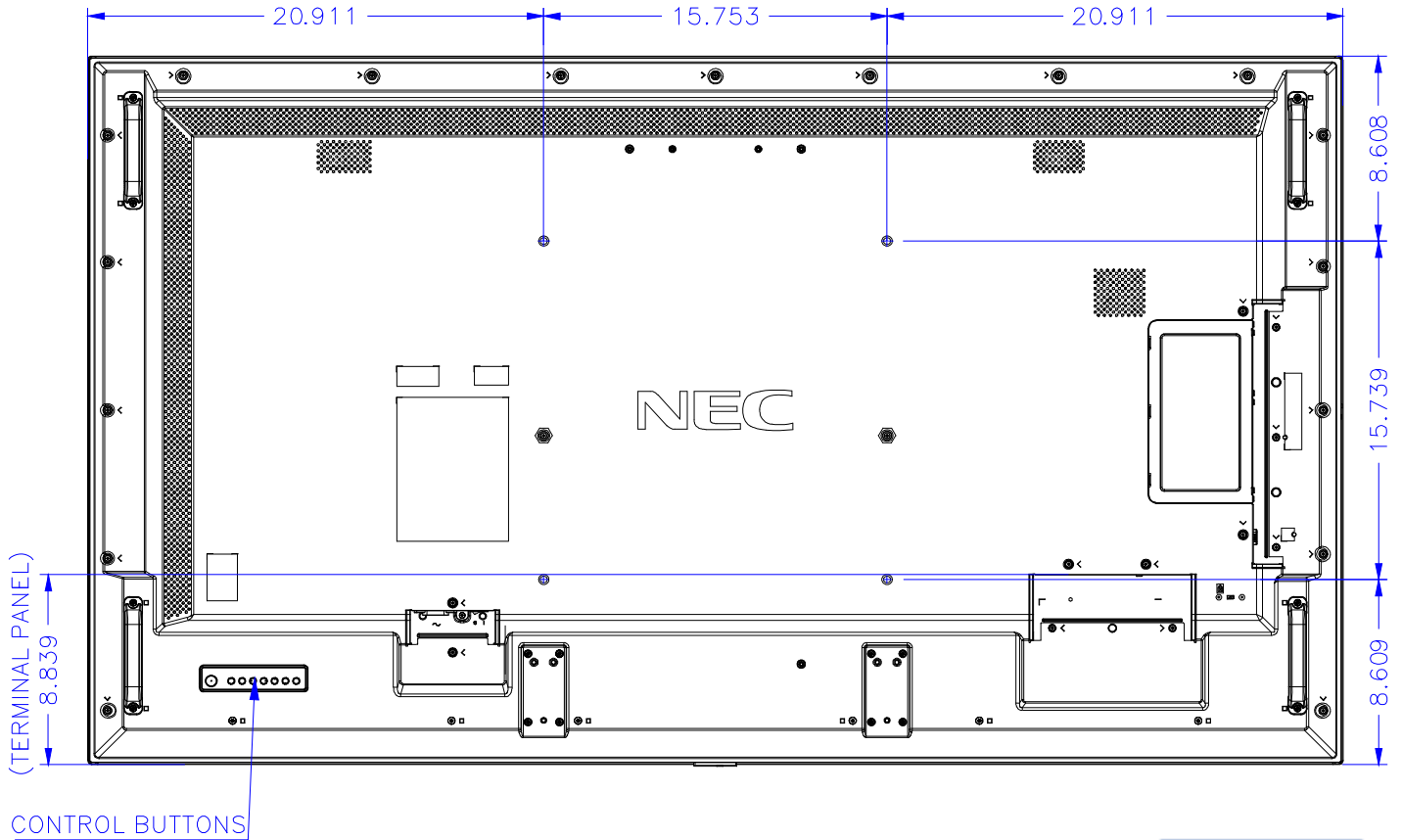
NEC strongly recommends using size M6 screws (10-12mm + the thickness of the bracket and washers in length).



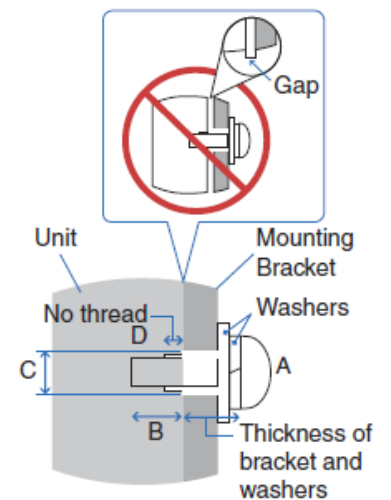
Display Dimensions – ME651:



Display Dimensions – ME651 cont'd:



NEC strongly recommends using size M8 screws (16-18mm + the thickness of the bracket and washers in length).

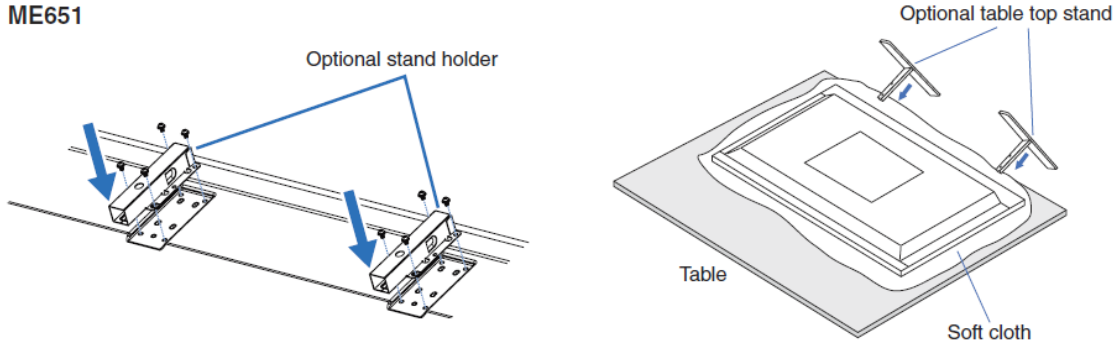


Installing and Removing the Optional Table Top Stand

- The ME431, M501 and M551 use the ST-401 or ST-43M. The ME651 utilizes the ST-65M
- Only use the screws that are included with the optional stand. The ST-65M will need included stand holders to also be attached

ME431	ST-43M (screws are included)
ME501 ME551	ST-401 or ST-43M (screws are included)
ME651	ST-65M (thumbscrews, screws, and stand holders are included)

ME651



ME431/ME501/ME551

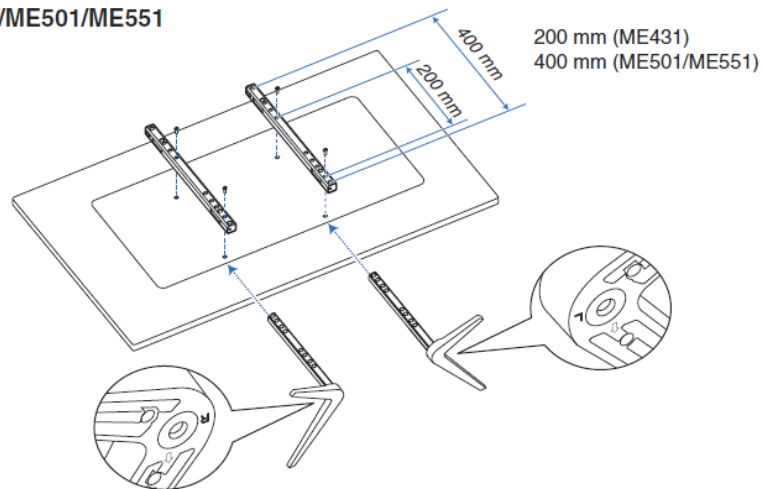


Table Top Stand Dimensions (ST-401 pictured below):

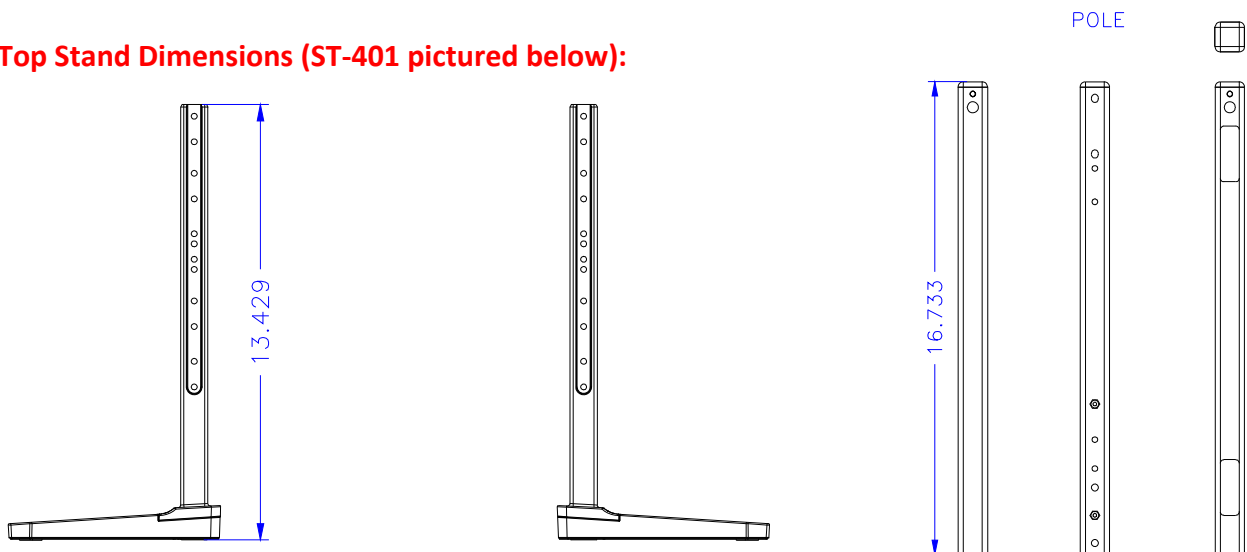
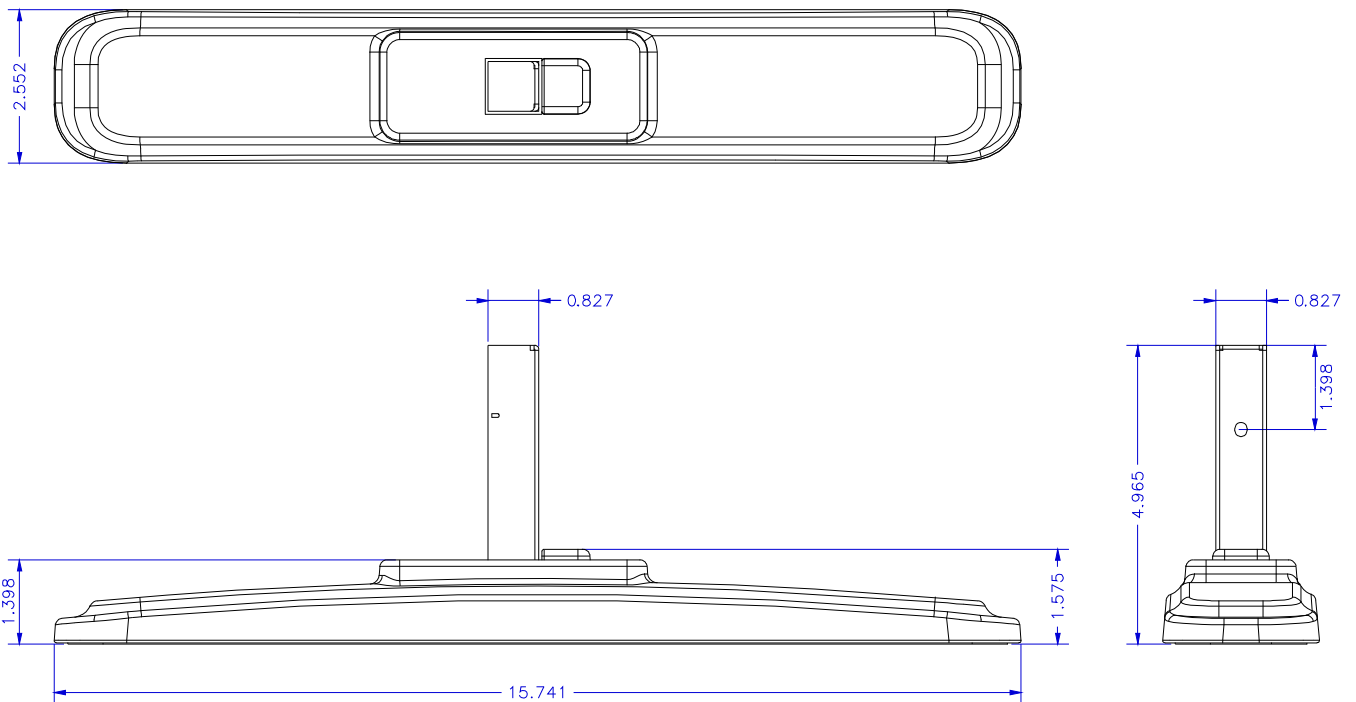
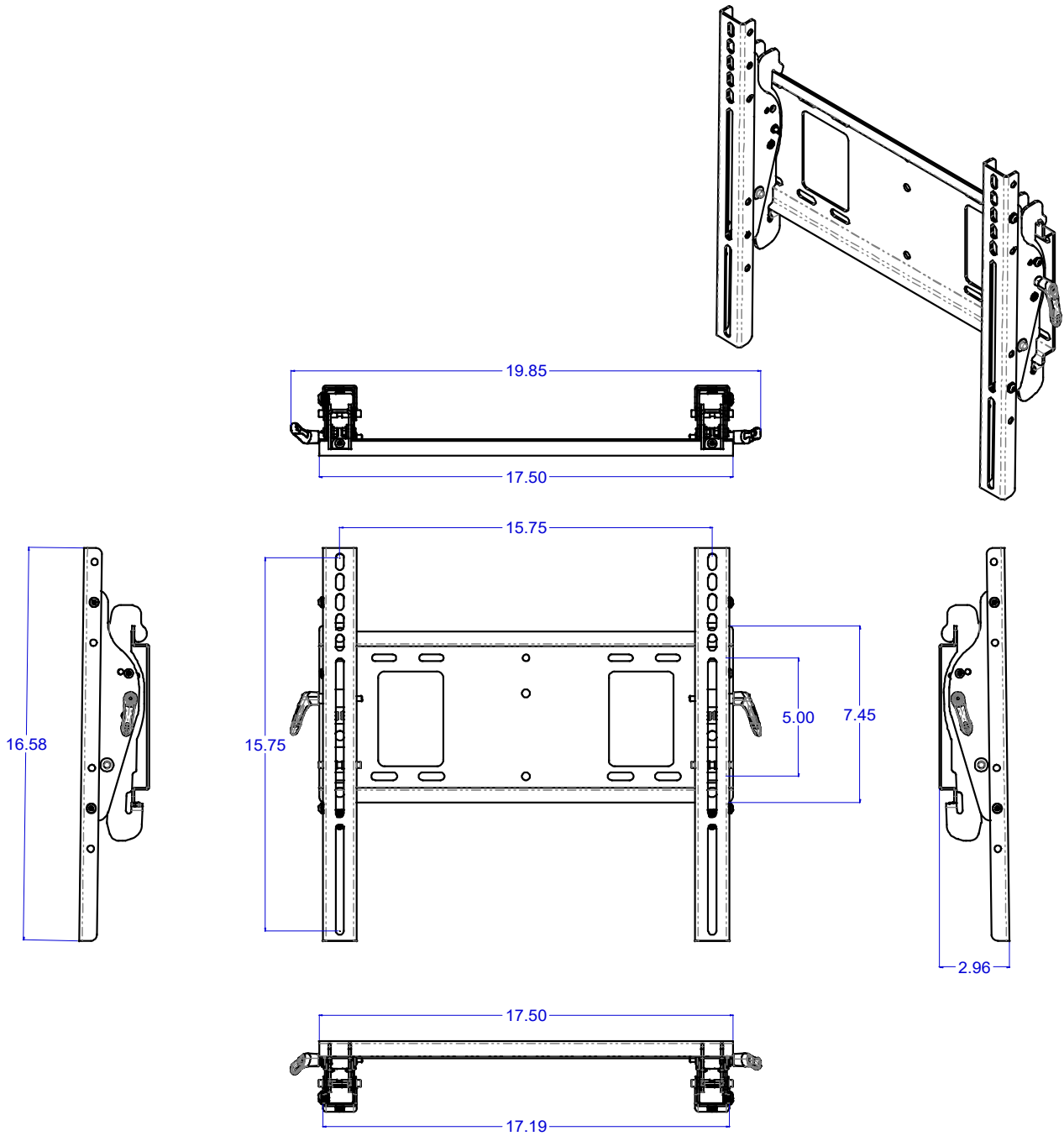


Table Top Stand Dimensions (ST-65M):

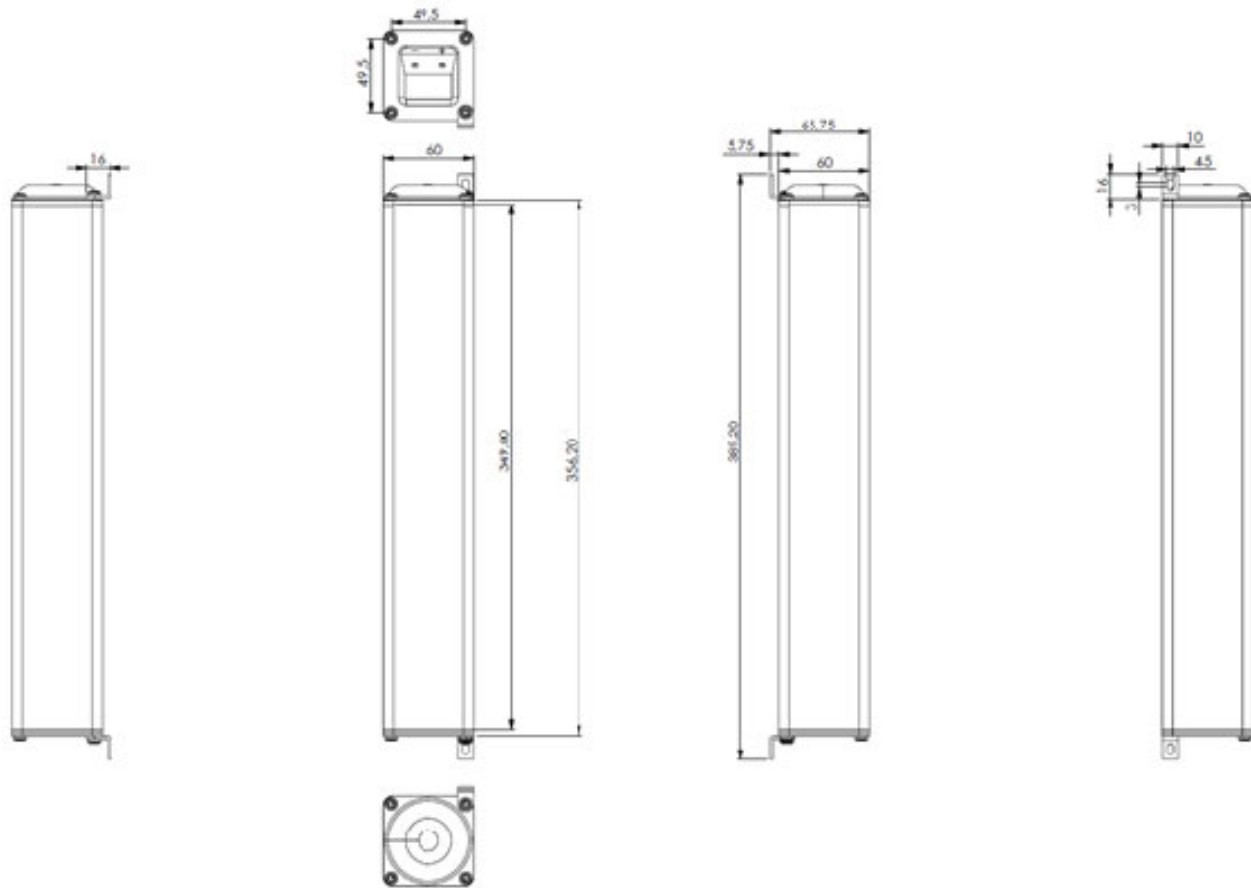
Note – stand holder is included when stand is purchased but is not included in drawing below



Optional Large Wall Mount (WMK-6598):

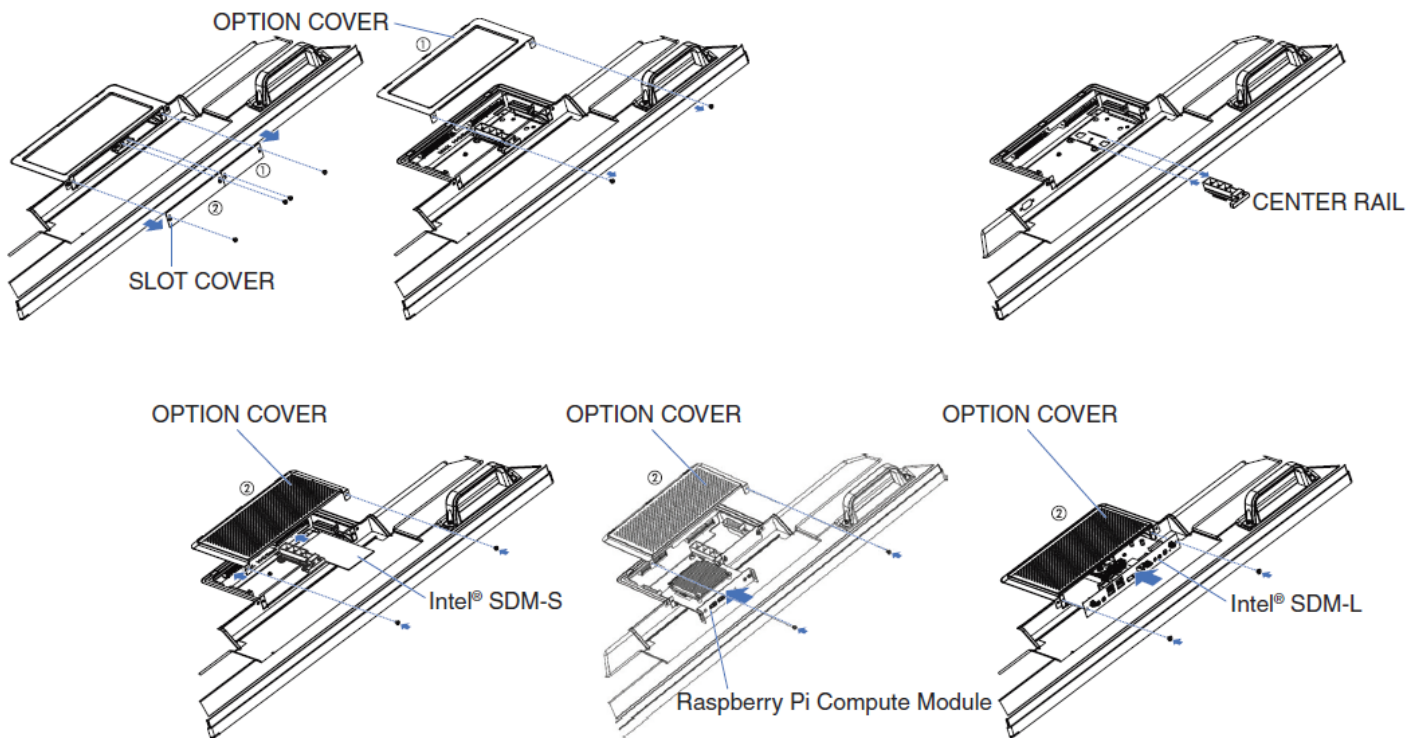


Optional Speaker Dimensions (SP-RM3a):



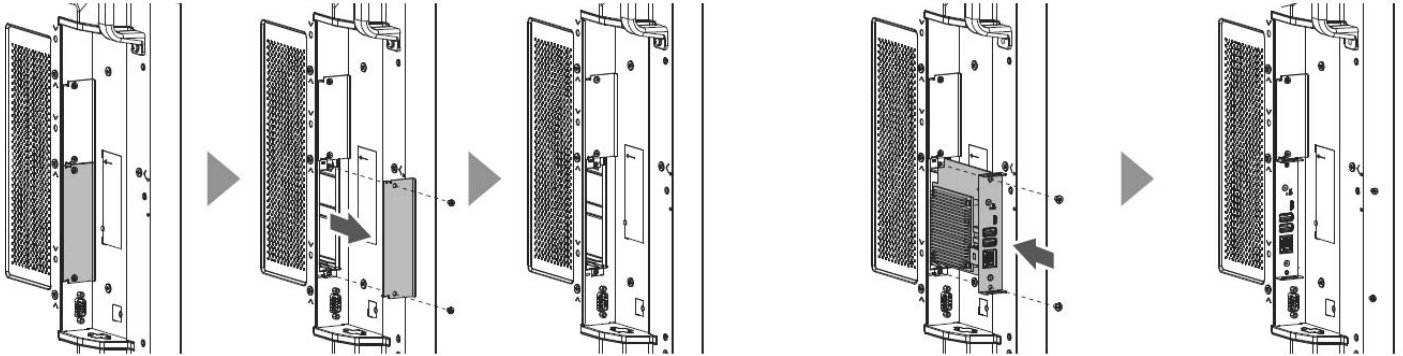
Intel® Smart Display Module Integration:

1. Place the monitor face down on a flat even surface that is larger than the monitor screen. Use a sturdy table that can easily support the weight of the monitor. To avoid scratching the LCD panel, always place a soft cloth, such as a blanket that is larger than the monitor's screen area, on the table before laying the monitor face down. Make sure there is nothing on the table that can damage the monitor.
2. Remove the SLOT COVER and the OPTION COVER. Note when using Intel® SDM-L type option board, slide the CENTER RAIL to the right and remove. Reverse the process to re-attach
3. Gently push in SDM-S or SDM-L module
4. Attach included Option Cover after installation of SDM device



Compute Module Integration:

- Please see separate DS1-IF20CE installation guide for full integration. Image below may not represent actual back of unit but the concept is the same.
- Removing the OPTION COVER is necessary for installation



Final installed DS-IF20CE with RPI CM4 below



Input Panel:
Bottom



Side (Rotated)



ASCII Common Commands:

- This monitor supports common ASCII control commands with many other NEC projectors. For more information on this, please see our website.

Parameter

Input command

Input signal name	Response	Parameter
DisplayPort1	DisplayPort1	DisplayPort1 or DisplayPort
DisplayPort2	DisplayPort2	DisplayPort2
HDMI1	hdmi1	hdmi1 or hdmi
HDMI2	hdmi2	hdmi2
HDMI3	hdmi3	hdmi3
MP	mp	mp
OPTION	option	option

Status command

Response	Error status
error:temp	Temperature abnormal
error:fan	Cooling fan abnormal
error:light	Inverter or backlight abnormal
error:system	System error

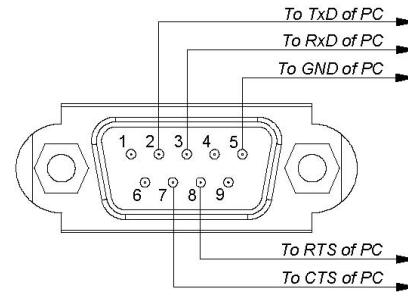
PD Comms Tool

- Please download PD Comms Tool and open the Communications Log by going to View → Communications Log. From here you can find any external control code necessary for your installation
- PD Comms Tool can be downloaded from here: <https://www.sharpnecdisplays.us/faqs/pdcommstool/179>

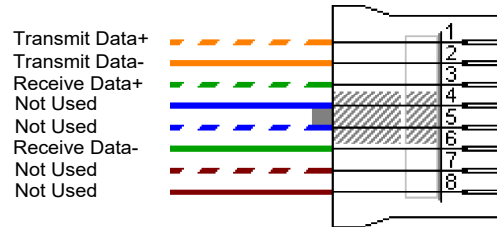
Cable Connection

Communication Protocol:

Interface: RS-232C
 Communication System: Asynchronous
 Baud Rate: 9600 bps
 Data Length: 8 bits
 Parity: None
 Stop Bit: 1 bit
 Communication Code: ASCII



Interface: Ethernet (CSMA/CD)
 Communication System: TCP/IP (Internet Protocol Suite)
 Communication Layer: Transport layer (TCP)
 IP Address: 192.168.0.10 (default out of box)
 Port Number: 7142 (Fixed)



Browser Control:

Information and control can also be available through the HTTP browser control menu.

In order to accomplish this, type: http://<the Monitor's IP address>/pd_index.html

Note that the LAN Power needs to be turned on in order for the display to be controlled while the units are off.

All displays are set to the IP address 192.168.0.10 out of the box unless changed through the initial setup guide

Communicating network PC needs to be on the same subnet as display that is being communicated with

NEC

HDMI1

- [HOME](#)
- [REMOTE CONTROL](#)
- [PICTURE ADJUST](#)
- [AUDIO](#)
- [SCHEDULE](#)
- [MULTI PICTURE CONTROL](#)
- [OSD](#)
- [MULTI DISPLAY](#)
- [DISPLAY PROTECTION](#)
- [EXTERNAL CONTROL](#)
- [ADVANCED OPTION1](#)
- [ADVANCED OPTION2](#)
- [NETWORK](#)
- [MAIL](#)
- [SNMP](#)
- [AMX](#)
- [CRESTRON](#)
- [NAME](#)
- [NETWORK PASSWORD](#)
- [PD LIST](#)
- [MEMO](#)
- [UPDATE FIRMWARE](#)
- [PORT](#)
- [UPDATE FIRMWARE\(ALL\)](#)

HOME

Welcome to the management and configuration web interface.
 You can use the navigation menus on the left to access additional pages.

MONITOR INFORMATION	
MODEL NAME	
SERIAL	45S00005TA

FIRMWARE VERSION	
FIRMWARE1	0.017
FIRMWARE2	0.008
FIRMWARE3	0.011
FIRMWARE4	0.002

ETHERNET	
MAC ADDRESS	58:C2:32:33:00:03
IPv4 ADDRESS	192.168.0.10
SUBNET MASK	255.255.255.0
DEFAULT GATEWAY	0.0.0.0
DNS PRIMARY	0.0.0.0
DNS SECONDARY	0.0.0.0

ID

Copyright © NEC Display Solutions, Ltd. 2014. All rights reserved.