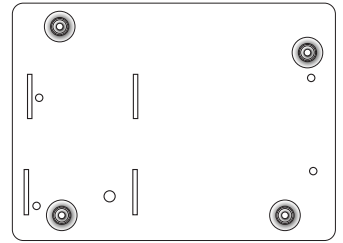
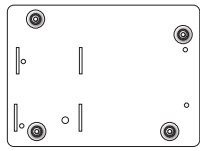


NEC Adapter Plate Installation Instructions

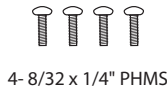


Parts Included

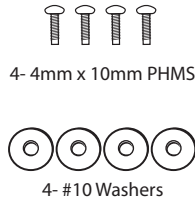
Promethean



NEC Adapter Plate

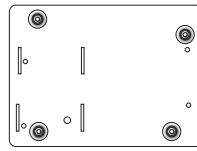


4- 8/32 x 1/4" PHMS

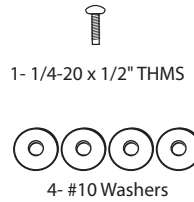


4- 4mm x 10mm PHMS
4- #10 Washers

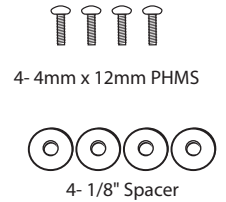
Smart Board



NEC Adapter Plate



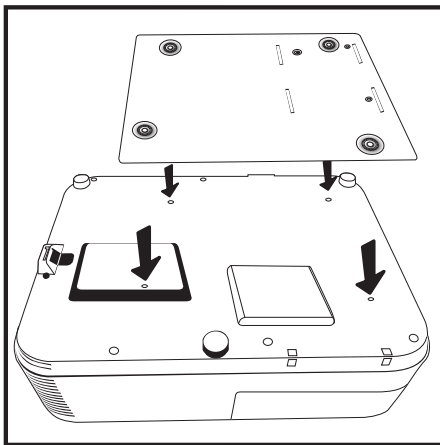
1- 1/4-20 x 1/2" THMS
4- #10 Washers



4- 4mm x 12mm PHMS
4- 1/8" Spacer

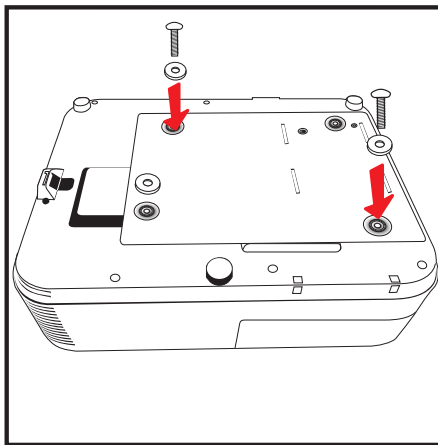
Attaching to Promethean Arm

1 Attach the Adapter Plate



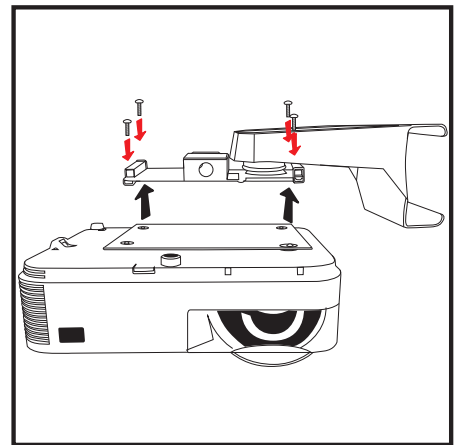
1. Turn projector upside down on a flat surface.

2 Screw in Adapter Plate



2. Place Adapter Plate onto the bottom of projector, aligning mounting holes on bracket with the threaded inserts in the bottom of projector, and line up with center of projector lens.

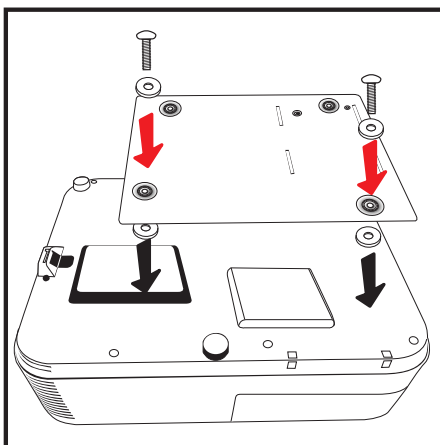
3 Attach to Promethean Arm



4. Lift Adapter Plate with projector up to end of the existing Promethean projector mount arm, and screw in onto arm mount

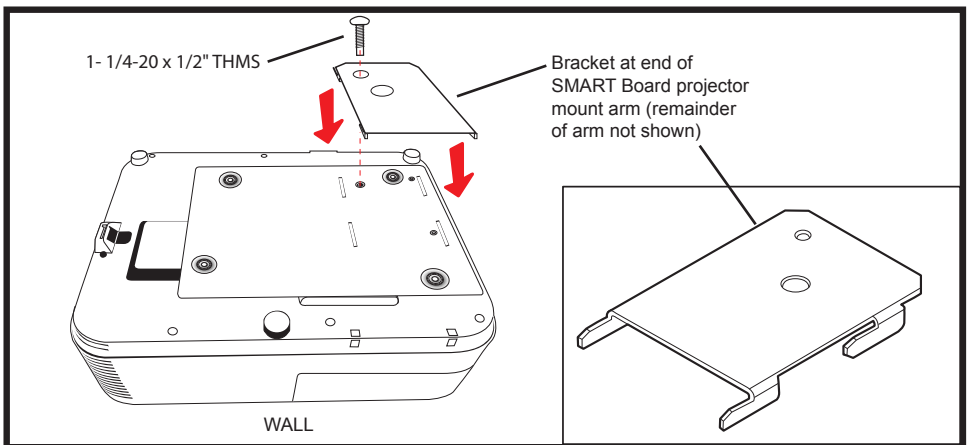
Attaching to Smart Arm

1 Attach the Adapter Plate



1. Turn projector upside down on a flat surface.
2. Place four spacers over the threaded inserts in the bottom of the projector.
3. Place Adapter Plate onto the bottom of projector, aligning mounting holes on bracket with threaded inserts in the bottom of projector, and line up with center of projector lens.

2 Screw in Adapter Plate



4. Place Adapter Plate onto the bottom of projector, aligning mounting holes on bracket with washers and threaded inserts in the bottom of projector, and line up with center of projector lens.
5. Lift Adapter Plate with projector up to end of the existing SMART Board projector mount arm, and slide interface bracket slots onto hooks.
6. Fasten interface bracket to end of SMART Board projector arm using one 1/4-20 x 1/2" THMS

