

# MultiSync® LT80 Installation Data

## Desk Top and Ceiling Mount

---

### Contents

Notes and Formulas	Page 1
Projection Distances and Screen Sizes	
Ceiling Mount	Page 2
Desktop Setup	Page 3
Cabinet Dimensions	Page 4
Ceiling Mount Dimensions	Page 5

### Notes

---

- For Screen Sizes of 24 to 300 inches not indicated on the projection tables, use the formulas below.
- Set the projection distance based on the width of the screen.
- If the figures on the tables do not match the figures in the formulas, use the figures in the table.
- All dimensions are in inches. Multiply by 25.4 for millimeters.
- Distances may vary +/- 5%.

### Formulas

---

#### Units: Inches

$$A = C / \cos \alpha$$

$$B = ((H \times 1.25) - 0.2) \times 3 / 25.4$$

$$C \text{ (WIDE)} = ((H \times 12.5 / 243) - 0.06) \times 39.37$$

$$C \text{ (TELE)} = ((H \times 12.5 / 187) - 0.06) \times 39.37$$

$$\alpha = \tan^{-1} ((H \times 0.375) + B) / C$$

H = Width of screen

A = Distance between lens center and screen center

B = Vertical distance between lens center and screen bottom (screen top for ceiling mount)

C = Horizontal throw distance between screen surface and projector lens

$\alpha$  = Offset Angle of image path center line with reference to desktop or ceiling

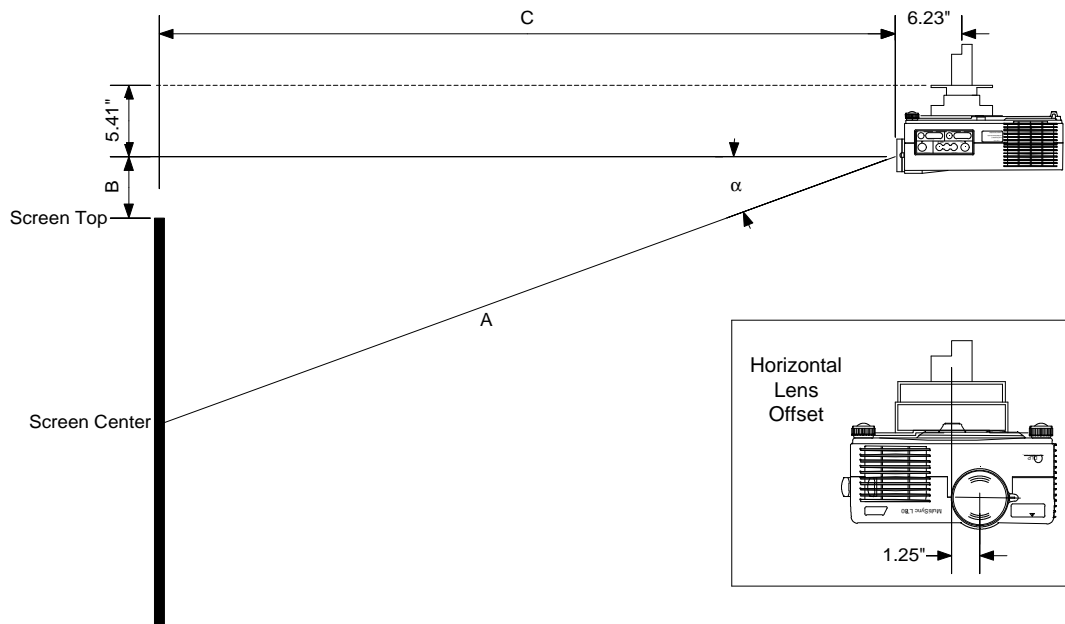
# MultiSync® LT80 Installation Data

Desk Top and Ceiling Mount

## Projection Distance and Screen Size for Ceiling Mount

The following shows the proper relative positions of the projector and screen. Refer to the table to determine the position of installation.

### Ceiling Mount System



### Distance Chart

Screen Size		A	B	C	α
Diagonal	Width	wide - tele		wide - tele	wide - tele
40"	32"	65.2 - 84.4"	4.8"	63" - 82.7"	14.9° - 11.5°
60"	48"	97.7" - 126.5"	6.9"	94.5" - 124.0"	14.8° - 11.4°
67"	53.6"	109.8" - 141.5"	7.9"	106.2" - 138.7"	14.8° - 11.4°
72"	57.6"	118.2" - 152.2"	8.5"	114.3" - 149.2"	14.8° - 11.4°
84"	67.2"	138.2" - 178.0"	9.9"	133.7" - 174.5"	14.7° - 11.4°
90"	72"	148.4" - 190.9"	10.6"	143.5" - 187.1"	14.7° - 11.4°
100"	80"	164.7" - 212.8"	11.5"	159.4" - 208.7"	14.6° - 11.3°
120"	96"	198.5" - 255.2"	14.1"	192.1" - 250.3"	14.6° - 11.3°
150"	120"	248.7" - 319.6"	17.7"	240.7" - 313.4"	14.6° - 11.3°
180"	144"	299.0" - 384.0"	21.2"	289.3" - 376.6"	14.6° - 11.3°
210"	168"	349.2" - 448.5"	24.8"	337.9" - 439.8"	14.6° - 11.3°
240"	192"	399.2" - 512.8"	28.3"	386.5" - 502.9"	14.5° - 11.3°
270"	216"	449.4" - 577.3"	31.9"	435.1" - 566.1"	14.5° - 11.3°
300"	240"	500.2" - No Tele	35.1"	484.3" - No Tele	14.5° - No Tele

**Note:**

For screen sizes of 24 to 300 inches not indicated on the projection tables, use the formulas on page 1.

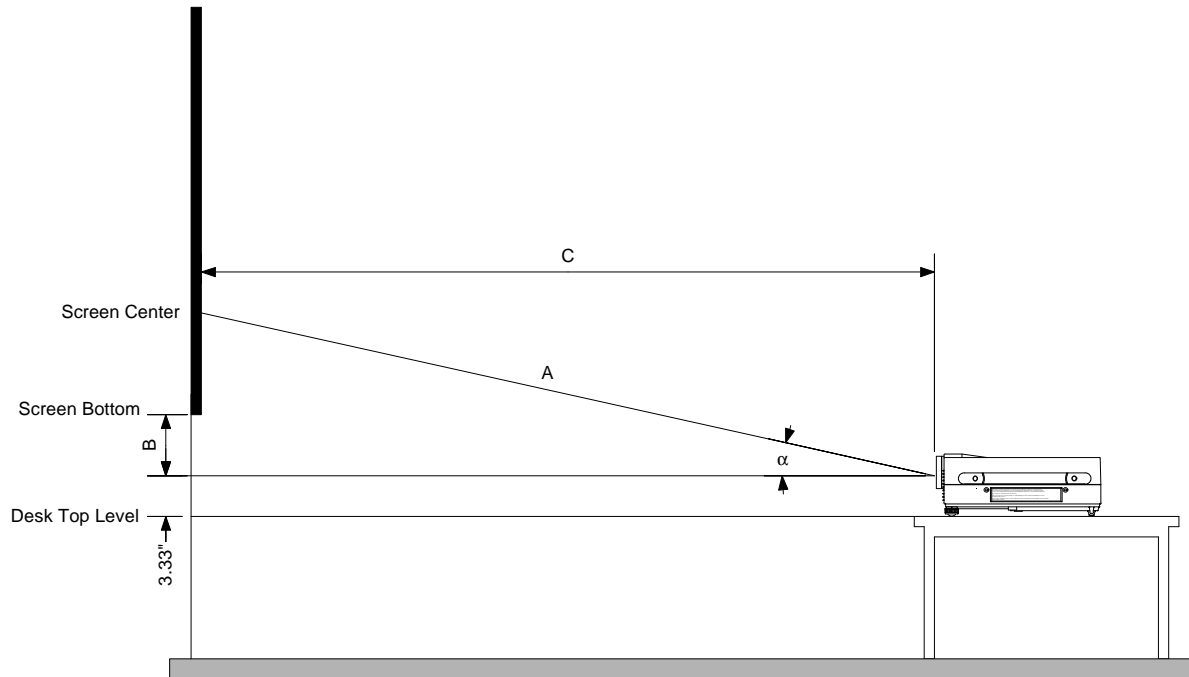
# MultiSync® LT80 Installation Data

Desk Top and Ceiling Mount

## Projection Distance and Screen Size for Desktop

The following diagram shows the relationship between projector position and the screen.

### Desktop System



### Distance Chart

Screen Size		A	B	C	α
Diagonal	Width	wide - tele		wide - tele	wide - tele
40"	32"	65.2 - 84.4"	4.8"	63" - 82.7"	14.9° - 11.5°
60"	48"	97.7" - 126.5"	6.9"	94.5" - 124.0"	14.8° - 11.4°
67"	53.6"	109.8" - 141.5"	7.9"	106.2" - 138.7"	14.8° - 11.4°
72"	57.6"	118.2" - 152.2"	8.5"	114.3" - 149.2"	14.8° - 11.4°
84"	67.2"	138.2" - 178.0"	9.9"	133.7" - 174.5"	14.7° - 11.4°
90"	72"	148.4" - 190.9"	10.6"	143.5" - 187.1"	14.7° - 11.4°
100"	80"	164.7" - 212.8"	11.5"	159.4" - 208.7"	14.6° - 11.3°
120"	96"	198.5" - 255.2"	14.1"	192.1" - 250.3"	14.6° - 11.3°
150"	120"	248.7" - 319.6"	17.7"	240.7" - 313.4"	14.6° - 11.3°
180"	144"	299.0" - 384.0"	21.2"	289.3" - 376.6"	14.6° - 11.3°
210"	168"	349.2" - 448.5"	24.8"	337.9" - 439.8"	14.6° - 11.3°
240"	192"	399.2" - 512.8"	28.3"	386.5" - 502.9"	14.5° - 11.3°
270"	216"	449.4" - 577.3"	31.9"	435.1" - 566.1"	14.5° - 11.3°
300"	240"	500.2" - No Tele	35.1"	484.3" - No Tele	14.5° - No Tele

### Note:

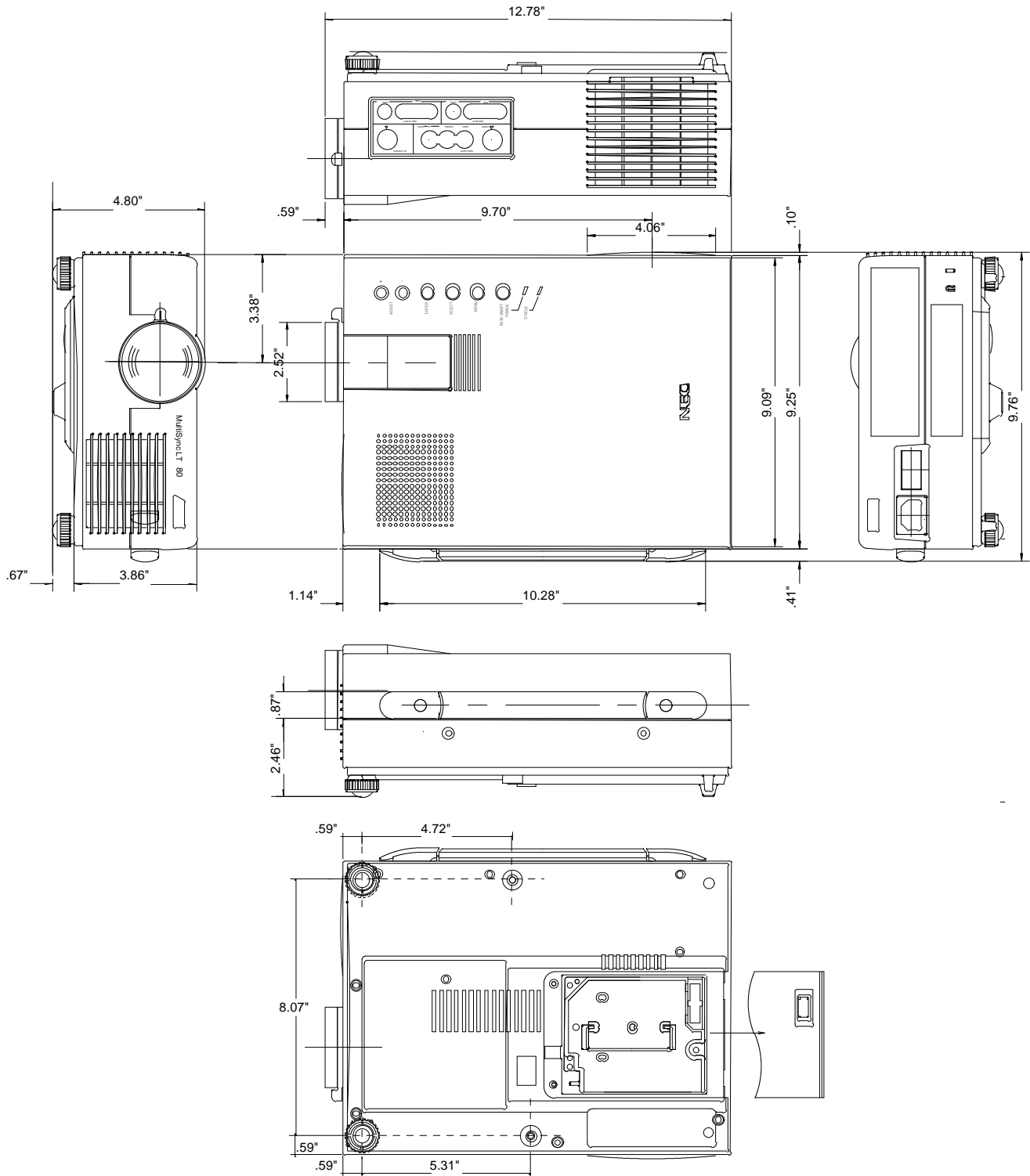
For screen sizes of 24 to 300 inches not indicated on the projection tables, use the formulas on page 1.

# MultiSync® LT80 Installation Data

Desk Top and Ceiling Mount

## Cabinet Dimensions

The following drawings show the cabinet dimensions for the MultiSync LT80. Dimensions are in inches. For millimeters multiply by 25.4.

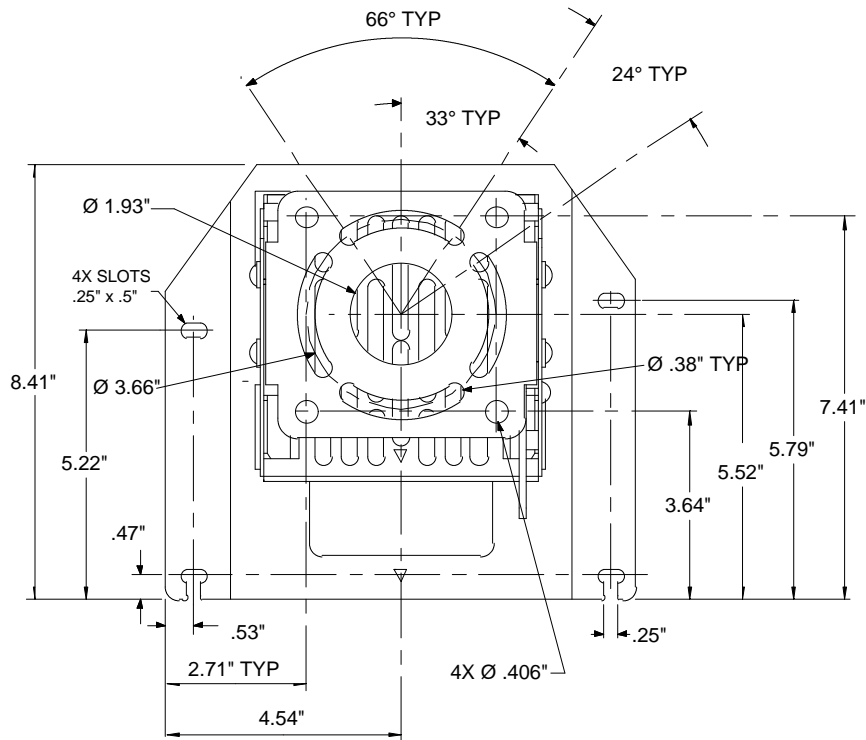


# MultiSync® LT80 Installation Data

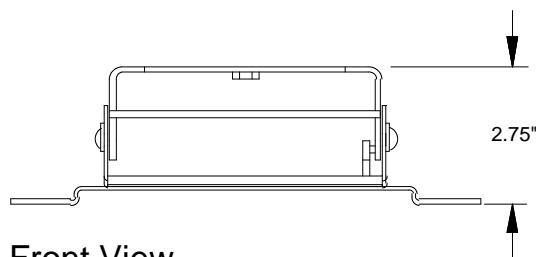
Desk Top and Ceiling Mount

## Ceiling Mount Dimensions

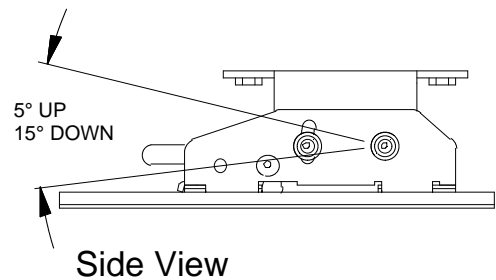
The following drawings show the dimensions for the MultiSync LT80 Ceiling Mount. Dimensions are in inches. For millimeters multiply by 25.4.



Top View



Front View



Side View