

LT30/35 Installation Guide

Ceiling Mounted and Desktop

Rev 1.0

Contents

Product Description, Lens Specs, Notes and Formulas	Pg 1
Diagrams & Distance Charts	Pg 2
Cabinet Dimensions	Pg 3
Ceiling Mount Dimensions	Pg 4
Input Panel and Control Codes	Pg 5



Product Description

Type:	.7 DDR DMD™ projector	Dimensions:	10.24"(W) x 3.5"(H) x 8.2"(D)
Resolution:	1024 x 768	Weight:	4.4 lbs
Brightness:	LT30: 2600 ANSI Lumens LT35: 3000 ANSI Lumens		

Lens Specifications

Throw Ratio:	1.8 – 2.16:1 (for 100" diagonal)	Focal Length:	25.7 – 30.8 mm
Offset Angle:	9.8° - 11.7° (for 100" diagonal)	F/#:	2.4 – 2.6
Screen Sizes:	30" - 300" diagonal (4:3)	Manual Zoom/Power Focus (w/autofocus)	

Notes

- For screen sizes not indicated on the projection tables, use the formulas below.
If the figures on the tables do not match the results of formulas, use the figures in the table.
- All calculations are based on 4:3 aspect ratio.
- Distances are in inches, for millimeters multiply by 25.4.
- Distances may vary ±5%.

Formulas

The Projection Formulas use the image width for calculation. For proper projection placement, determine the image width for the desired screen size. Use the Screen Formulas below to calculate all screen dimensions. Plug in the width for "W" in the Projection Formulas.

Refer to the diagrams and charts for popular screen sizes on page 2:

Definitions:

W = Image Width
H = Image Height (size)
B = Vertical distance between lens center and screen center
C = Throw distance
D = Vertical distance between lens center and screen top
(screen bottom for desktop application)

4:3 Screen Formulas:

W = H x 4/3
H = W x 3/4
Screen Diagonal = W x 5/4

Projection Formulas:

B = 0.375W
C (wide) = 1.831W – 2.076
C (tele) = 2.19W – 2.08
 α (wide) = \tan^{-1} (B/C(wide))
 α (tele) = \tan^{-1} (B/C(tele))

LT30/35 Installation Guide

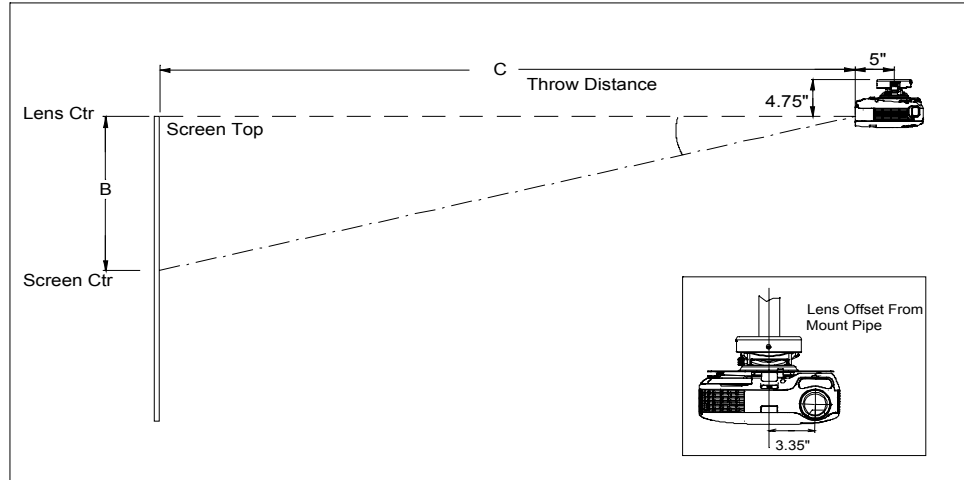
Ceiling Mounted and Desktop

Rev 1.0

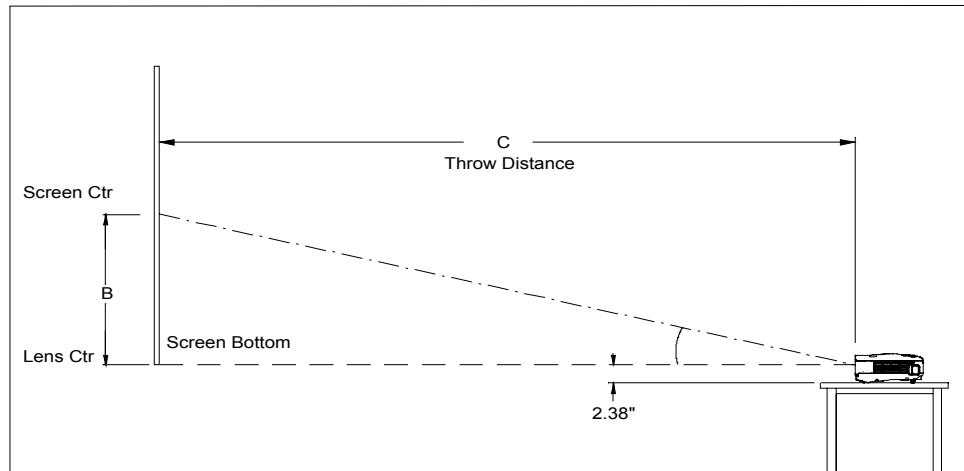
Diagrams and Distance Charts

The following diagrams show the relationship between projector position and the screen. Refer to the chart below for data. Distances are in inches. For millimeters multiply by 25.4.

Ceiling Mounted



Desktop



Distance Chart for popular 4:3 screens

Screen Size (4:3)			B	C wide - tele	D	α wide - tele
Diag	W	H				
inches	inches	inches	inches	inches	inches	degrees
30	24	18	9	42 - 51	-	12.1 - 10.0
60	48	36	18	86 - 104	-	11.8 - 9.9
72	57.6	43.2	22	104 - 125	-	11.7 - 9.8
84	67.2	50.4	25	121 - 146	-	11.7 - 9.8
90	72	54	27	130 - 156	-	11.7 - 9.8
100	80	60	30	145 - 174	-	11.7 - 9.8
120	96	72	36	174 - 209	-	11.7 - 9.8
150	120	90	45	218 - 261	-	11.7 - 9.8
180	144	108	54	262 - 314	-	11.7 - 9.8
200	160	120	60	291 - 349	-	11.6 - 9.7
260	200	150	78	379 - 454	-	11.6 - 9.7
300	240	180	90	438 - 524	-	11.6 - 9.7

Note: For screen sizes not indicated on the projection tables, use the formulas on page 1.

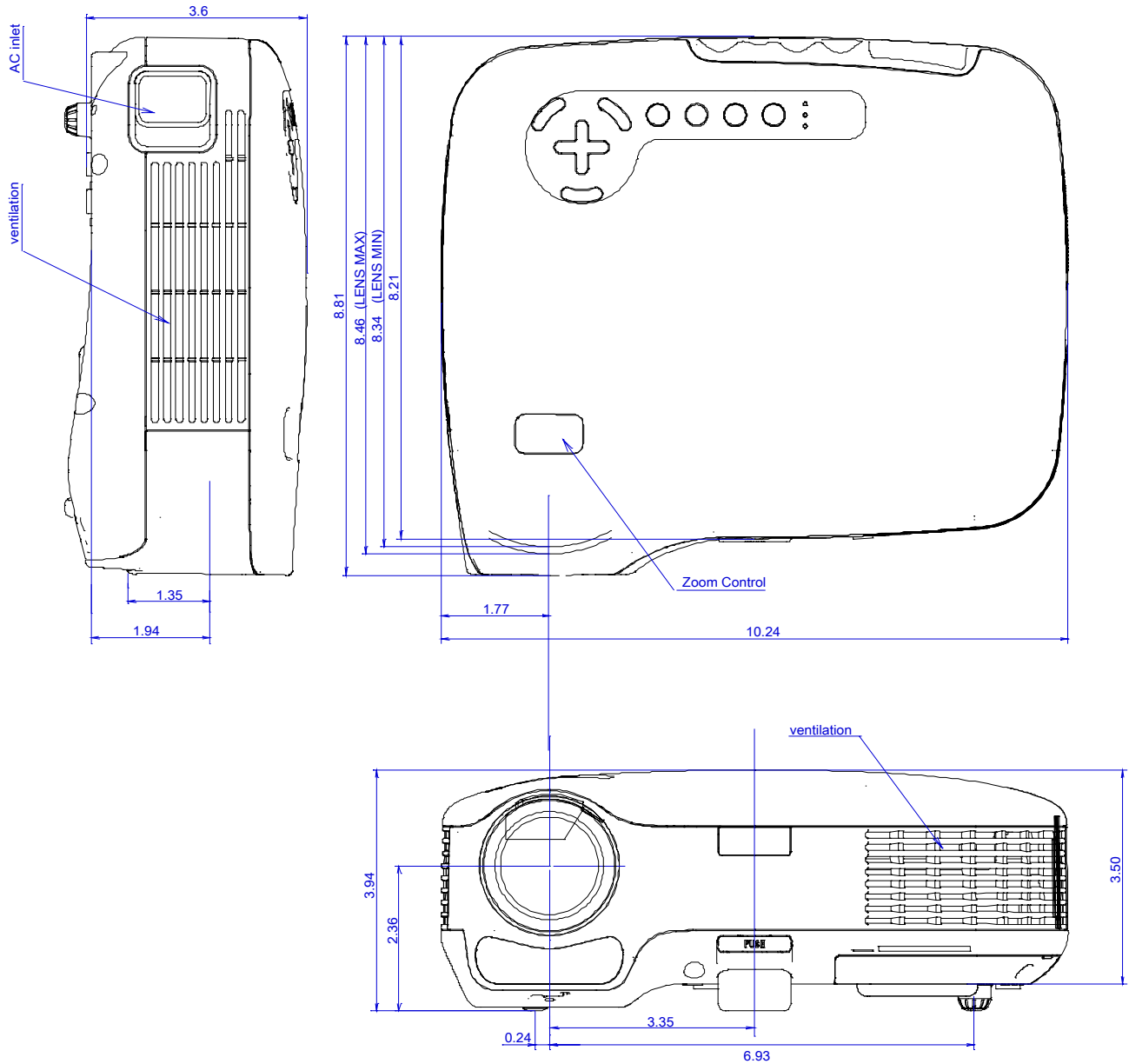
LT30/35 Installation Guide

Ceiling Mounted and Desktop

Rev 1.0

Cabinet Dimensions

The following drawings show the cabinet dimensions.
Dimensions are in inches. For millimeters multiply by 25.4.



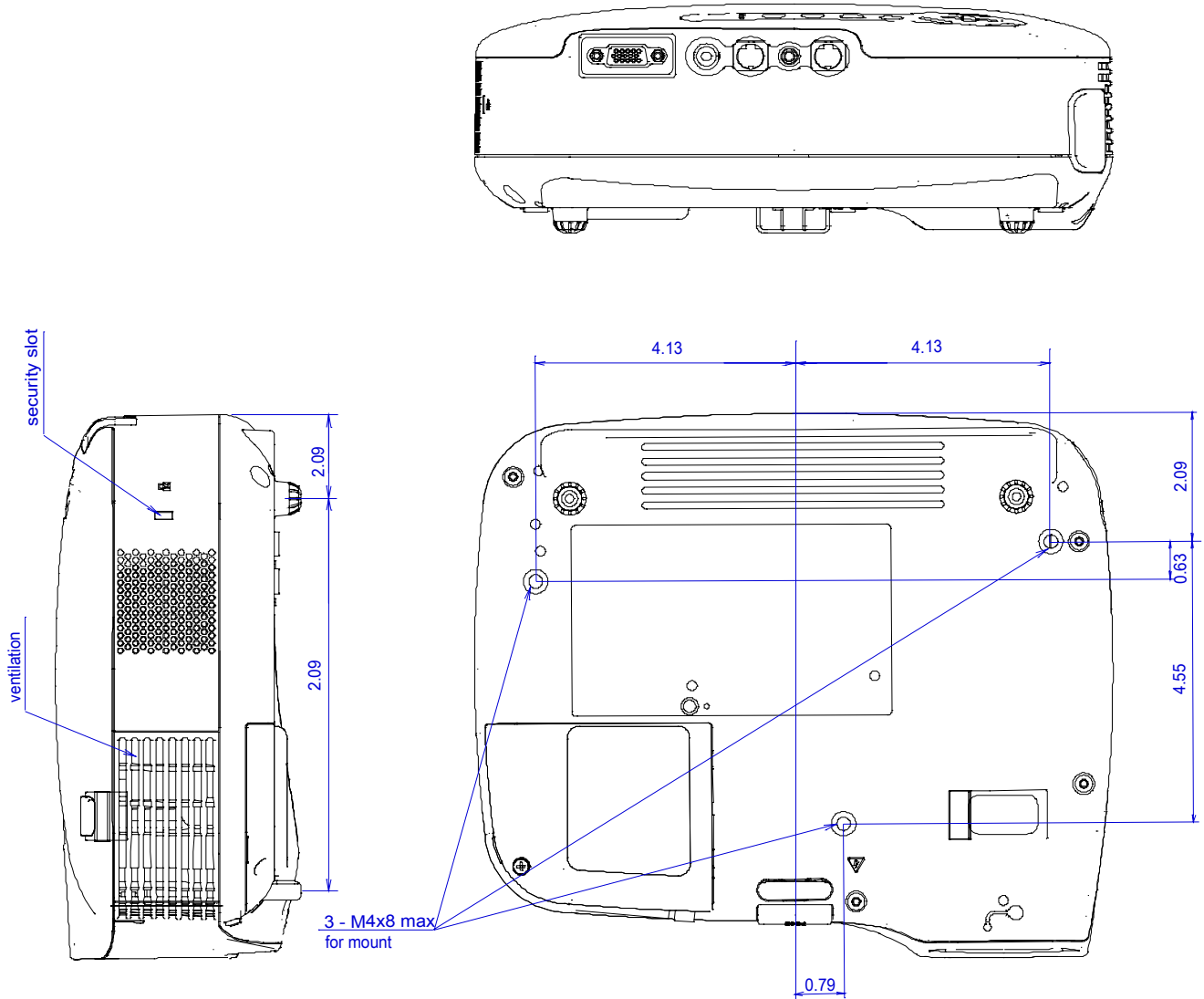
LT30/35 Installation Guide

Ceiling Mounted and Desktop

Rev 1.0

Cabinet Dimensions (continued)

The following drawings show the cabinet dimensions.
Dimensions are in inches. For millimeters multiply by 25.4.



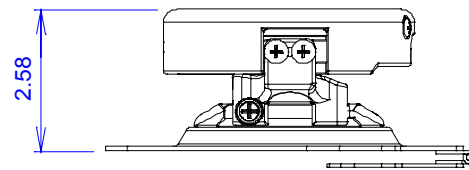
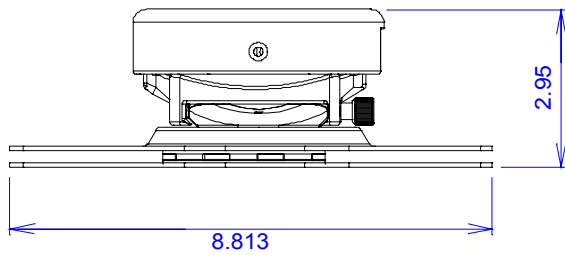
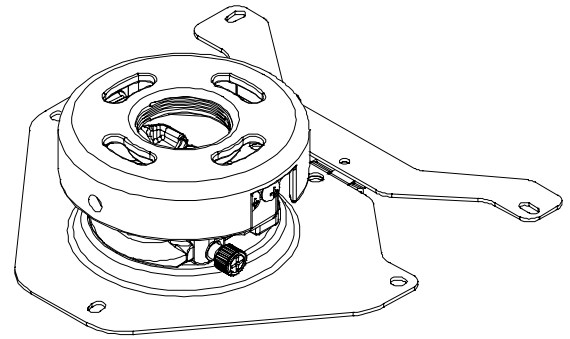
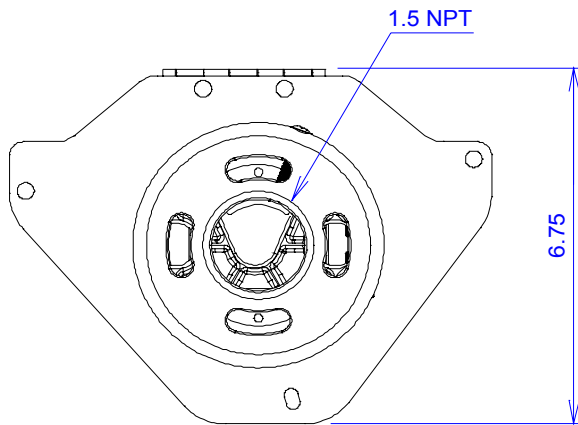
LT30/35 Installation Guide

Ceiling Mounted and Desktop

Rev 1.0

Optional Ceiling Mount Dimensions (Model #: LT30CM)

The following drawings show the ceiling mount dimensions.
Dimensions are in inches. For millimeters multiply by 25.4.

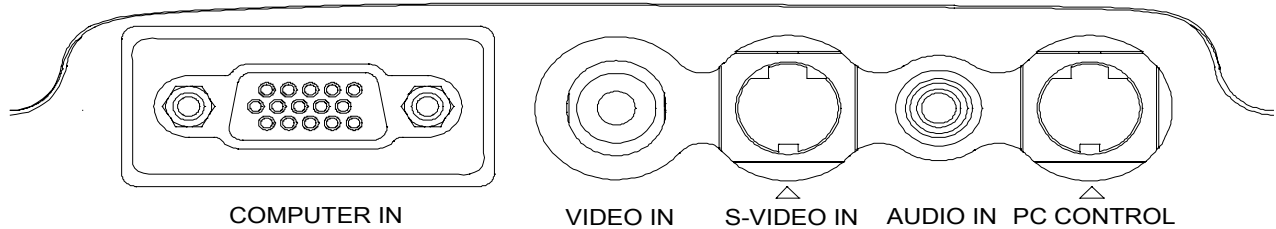


LT30/35 Installation Guide

Ceiling Mounted and Desktop

Rev 1.0

Input Panel



PC Control Codes

Function	Code Data
POWER ON	02H 00H 00H 00H 00H 02H
POWER OFF	02H 01H 00H 00H 00H 03H
INPUT SELECT CCOMPUTER	02H 03H 00H 00H 02H 01H 01H 09H
INPUT SELECT VIDEO	02H 03H 00H 00H 02H 01H 06H 0EH
INPUT SELECT S-VIDEO	02H 03H 00H 00H 02H 01H 0BH 13H
INPUT SELECT DVI (DIGITAL)	02H 03H 00H 00H 02H 01H 1AH 22H
PICTURE MUTE ON	02H 10H 00H 00H 00H 12H
PICTURE MUTE OFF	02H 11H 00H 00H 00H 13H
SOUND MUTE ON	02H 12H 00H 00H 00H 14H
SOUND MUTE OFF	02H 13H 00H 00H 00H 15H

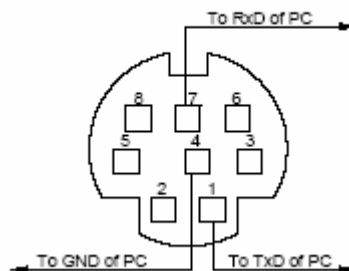
Note: Contact your NEC rep for codes not listed.

Cable Connection

Communication Protocol:

Baud Rate: 38400 bps
 Data Length: 8 bits
 Parity: No Parity
 Stop Bit: One Bit
 X on/off: None
 Communications: Full duplex

PC Control Connector (Din-8P)



NOTE 1 : Pins 2, 3, 5, and 6 are used inside the projector.

NOTE 2 : For long cable runs it is recommended to set communication speed within the projector to 9600 bps.