

MultiSync® LT100 Installation Data

Desk Top and Ceiling Mount

Contents

Notes and Formulas_____	Page 1
Projection Distances and Screen Sizes	
Ceiling Mount_____	Page 2
Desktop Setup_____	Page 3
Cabinet Dimensions_____	Page 4
Ceiling Mount Dimensions_____	Page 5

Notes

- For Screen Sizes of 24 to 300 inches not indicated on the projection tables, use the formulas below.
- Set the projection distance based on the width of the screen.
- If the figures on the tables do not match the figures in the formulas, use the figures in the table.
- All dimensions are in inches. Multiply by 25.4 for millimeters.
- Distances may vary +/- 5%.

Formulas

Units: Inches

$$A = C / \cos \alpha$$

$$B = 3.7H / 25.4$$

$$C \text{ (WIDE)} = (H \times 2.026) - 2.437$$

$$C \text{ (TELE)} = C \text{ (WIDE)} \times 1.3$$

$$\alpha = \tan^{-1} ((W \times 0.375) + B) / C$$

H = Screen Width

Screen Width (H) = Screen Diagonal (4:3) x 4 / 5

Screen Height = Screen Diagonal (4:3) x 3 / 5

A = Distance between lens center and screen center

B = Vertical distance between lens center and screen bottom (screen top for ceiling mount)

C = Horizontal throw distance between screen surface and projector lens

α = Offset Angle of image path center line with reference to desktop or ceiling

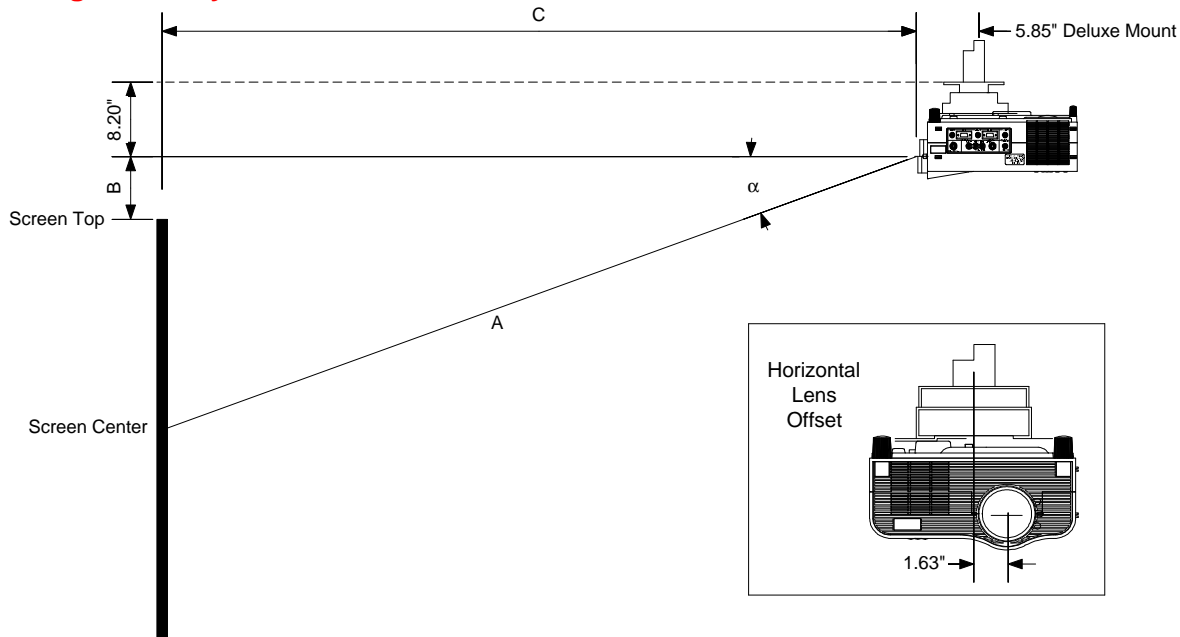
MultiSync® LT100 Installation Data

Desk Top and Ceiling Mount

Projection Distance and Screen Size for Ceiling Mount

The following shows the proper relative positions of the projector and screen. Refer to the table to determine the position of installation.

Ceiling Mount System



Distance Chart

Screen Size		A	B	C	α
Diagonal	Width	wide - tele		wide - tele	wide - tele
40"	32"	65.2" - 84.4"	4.7"	63.0" - 82.7"	14.8° - 11.4°
60"	48"	97.8" - 126.5"	7.0"	94.5" - 124.0"	14.8° - 11.4°
67"	53.6"	109.8" - 140.8"	7.8"	106.2" - 138.0"	14.8° - 11.4°
72"	57.6"	118.2" - 151.5"	8.4"	114.3" - 148.5"	14.7° - 11.4°
84"	67.2"	138.2" - 177.3"	9.8"	133.7" - 173.8"	14.7° - 11.4°
90"	72"	148.3" - 190.8"	10.5"	143.5" - 187.1"	14.6° - 11.3°
100"	80"	164.8" - 212.8"	11.7"	159.4" - 208.7"	14.6° - 11.3°
120"	96"	198.5" - 255.2"	14.0"	192.1" - 250.3"	14.6° - 11.3°
150"	120"	248.7" - 319.6"	17.5"	240.7" - 313.4"	14.6° - 11.3°
180"	144"	298.9" - 384.0"	21.0"	289.3" - 376.6"	14.5° - 11.3°
210"	168"	349.0" - 448.0"	24.5"	337.9" - 439.3"	14.5° - 11.3°
240"	192"	399.2" - 512.7"	28.0"	386.5" - 502.9"	14.5° - 11.2°
270"	216"	449.4" - 577.2"	31.5"	435.1" - 566.1"	14.5° - 11.2°
300"	240"	500.2" - No Tele	35.0"	484.3" - No Tele	14.5° - No Tele

Note:

For screen sizes of 24 to 300 inches not indicated on the projection tables, use the formulas on page 1.

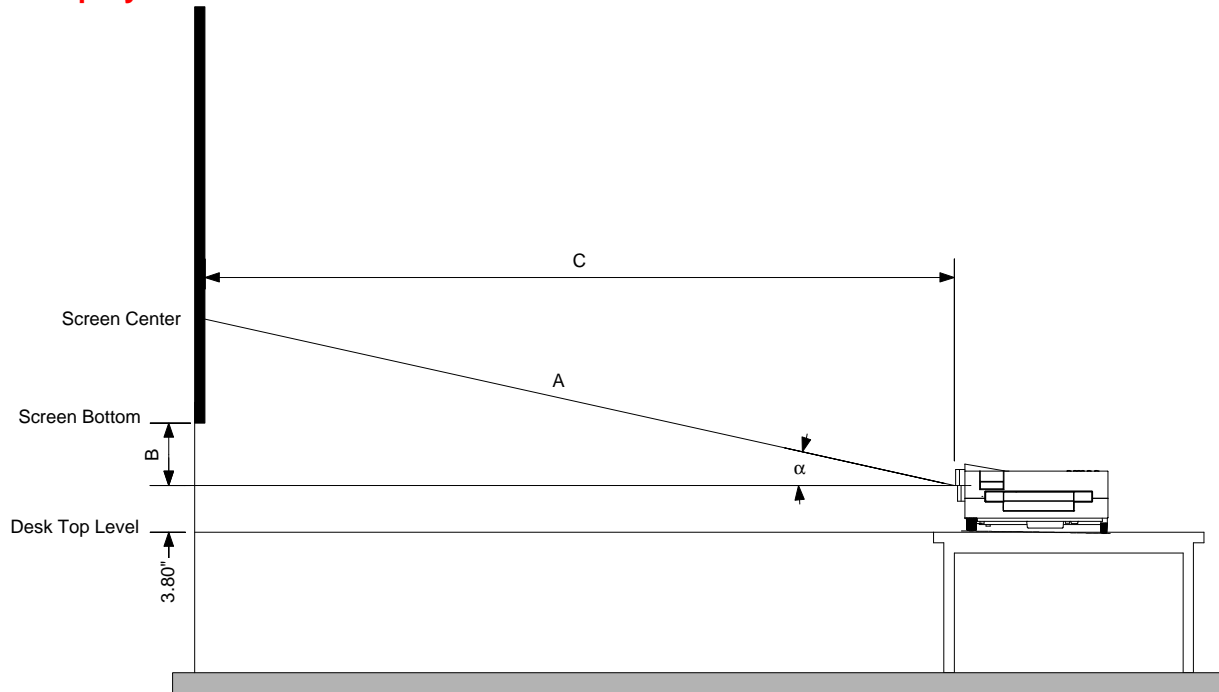
MultiSync® LT100 Installation Data

Desk Top and Ceiling Mount

Projection Distance and Screen Size for Desktop

The following diagram shows the relationship between projector position and the screen.

Desktop System



Distance Chart

Screen Size		A	B	C	α
Diagonal	Width	wide - tele		wide - tele	wide - tele
40"	32"	65.2" - 84.4"	4.7"	63.0" - 82.7"	14.8° - 11.4°
60"	48"	97.8" - 126.5"	7.0"	94.5" - 124.0"	14.8° - 11.4°
67"	53.6"	109.8" - 140.8"	7.8"	106.2" - 138.0"	14.8° - 11.4°
72"	57.6"	118.2" - 151.5"	8.4"	114.3" - 148.5"	14.7° - 11.4°
84"	67.2"	138.2" - 177.3"	9.8"	133.7" - 173.8"	14.7° - 11.4°
90"	72"	148.3" - 190.8"	10.5"	143.5" - 187.1"	14.6° - 11.3°
100"	80"	164.8" - 212.8"	11.7"	159.4" - 208.7"	14.6° - 11.3°
120"	96"	198.5" - 255.2"	14.0"	192.1" - 250.3"	14.6° - 11.3°
150"	120"	248.7" - 319.6"	17.5"	240.7" - 313.4"	14.6° - 11.3°
180"	144"	298.9" - 384.0"	21.0"	289.3" - 376.6"	14.5° - 11.3°
210"	168"	349.0" - 448.0"	24.5"	337.9" - 439.3"	14.5° - 11.3°
240"	192"	399.2" - 512.7"	28.0"	386.5" - 502.9"	14.5° - 11.2°
270"	216"	449.4" - 577.2"	31.5"	435.1" - 566.1"	14.5° - 11.2°
300"	240"	500.2" - No Tele	35.0"	484.3" - No Tele	14.5° - No Tele

Note:

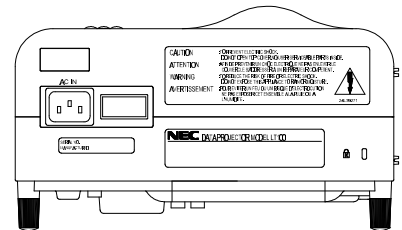
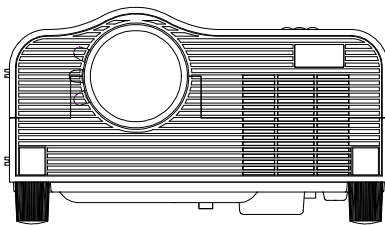
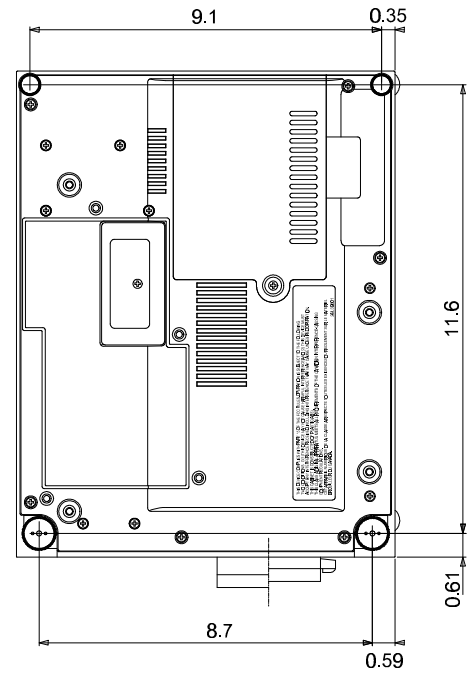
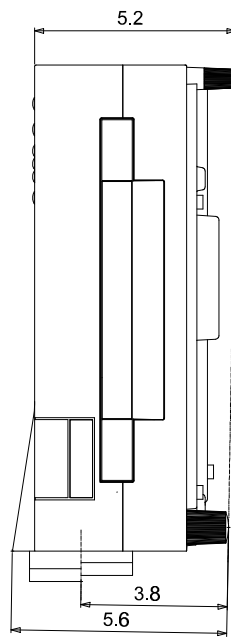
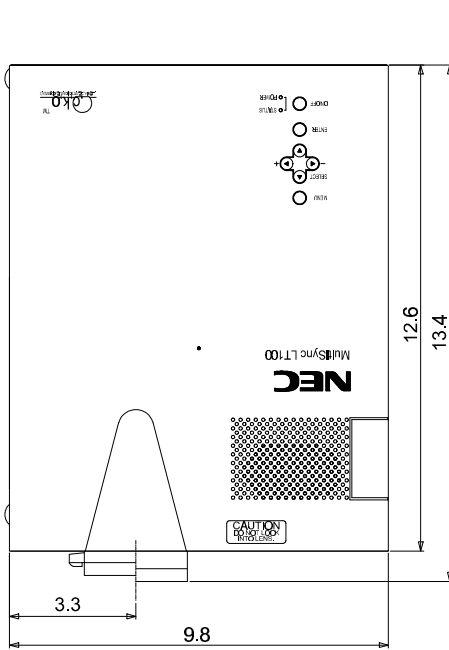
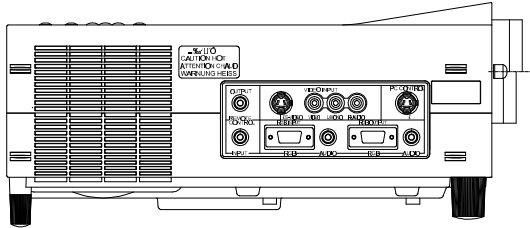
For screen sizes of 24 to 300 inches not indicated on the projection tables, use the formulas on page 1.

MultiSync® LT100 Installation Data

Desk Top and Ceiling Mount

Cabinet Dimensions

The following drawings show the cabinet dimensions for the MultiSync LT100. Dimensions are in inches. For millimeters multiply by 25.4.

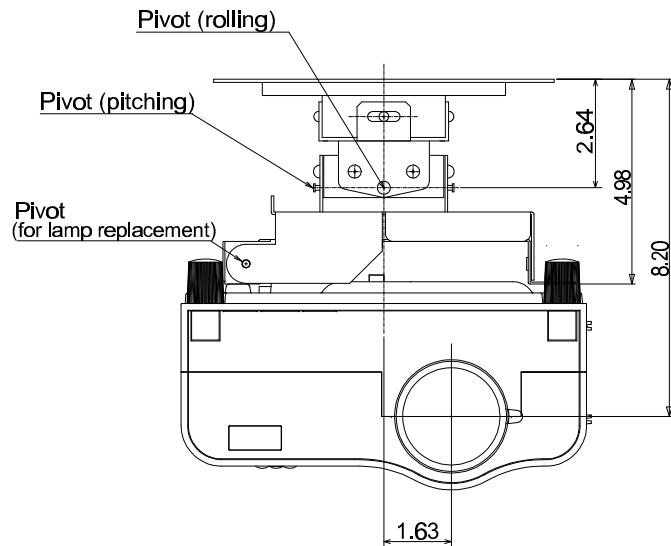


MultiSync® LT100 Installation Data

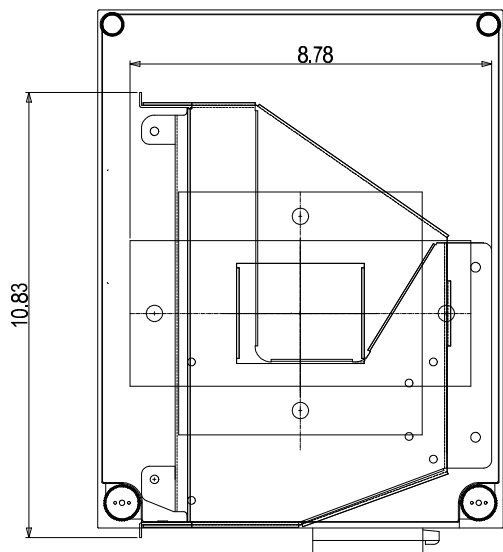
Desk Top and Ceiling Mount

Ceiling Mount Dimensions

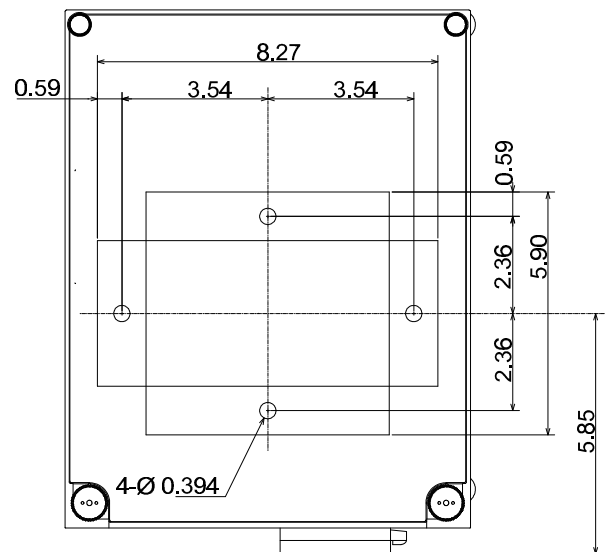
The following drawings show the dimensions for the MultiSync LT100 Deluxe Ceiling Mount. Dimensions are in inches. For millimeters multiply by 25.4.



Front View



Projector Side



Ceiling Side