

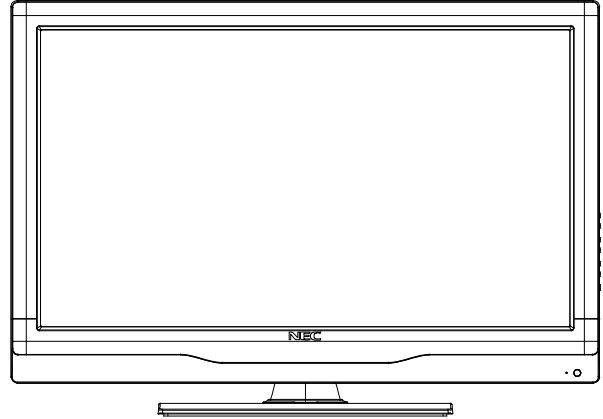
E552 Installation Guide

55" LCD Display

Rev 1.2

Contents

Product Description and Notes	Page 1
Ventilation Recommendations	Page 2
Display Dimensions	
Front, Top, Right, Left	Page 3
Rear	Page 4
Optional Wall Mount Dimensions (WMK-3257)	Page 5
Input Panels	Page 6
Control Codes	Page 7



Product Description

Type: LCD Display
Resolution: 1920 x 1080
Aspect Ratio: 16:9
FCC: Class B
Power Consumption: 365W (typ)
BTU's: 1245.43 BTU/hour

Screen Surface: Anti-Reflective
Dimensions without stand: 51.5"(W) x 32.9"(H) x 4.6(D)
Dimensions with stand: 51.5"(W) x 34.7"(H) x 11.6"(D)
Weight without stand: 70.6lbs
Weight with stand: 81.6 lbs

NOTES:

- This document is intended to be used as a reference guide to supply useful information for a design or installation. It is not intended to be a step-by-step procedure for installation.
- Any ceilings or walls must be strong enough to support the monitor and the installation must be in accordance with any local building codes. All mounts should make secure contact to wood studs.
- This unit is built to sustain Landscape orientation only.
- Distances are in inches, for millimeters multiply by 25.4.
- Distances may vary $\pm 5\%$.

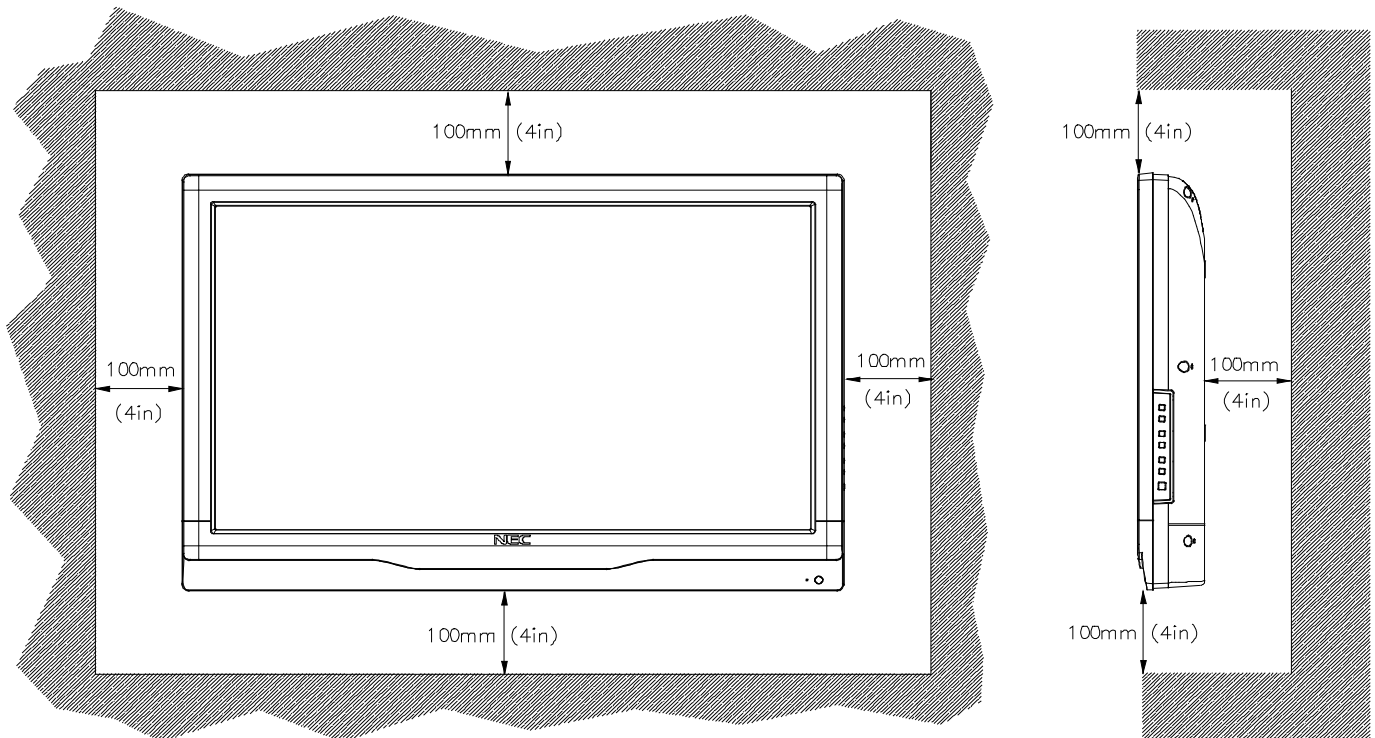
E552 Installation Guide

55" LCD Display

Rev 1.2

Ventilation Recommendations (all models)

Dimensions below are minimum recommended for proper ventilation.



NOTE:

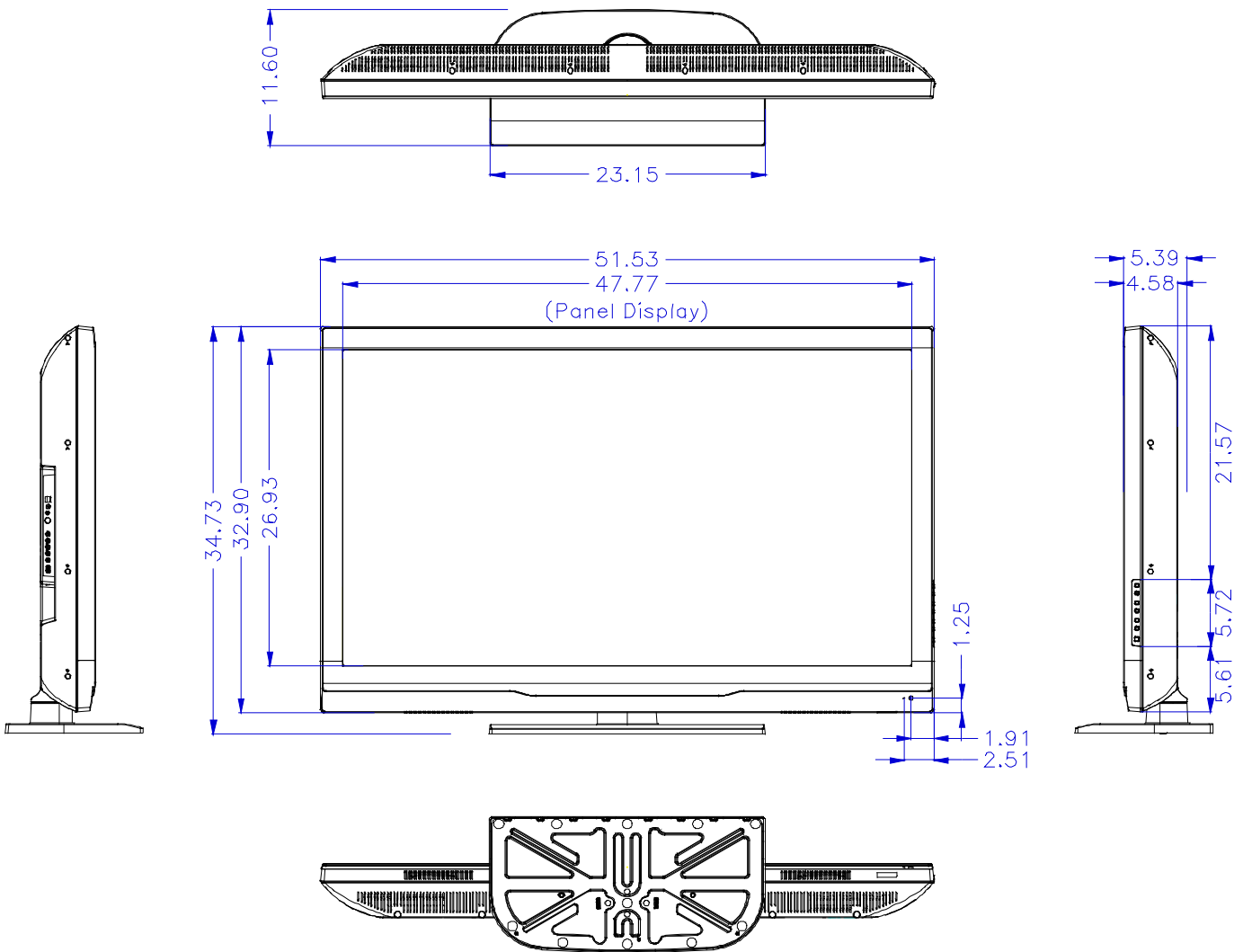
- The ventilation space should not be covered or closed off at the front of the opening. If for some reason the opening needs to be covered, other means of ventilation will need to be incorporated into the design. Contact NEC for design review and recommendations.

E552 Installation Guide

55" LCD Display

Rev 1.2

Display dimensions

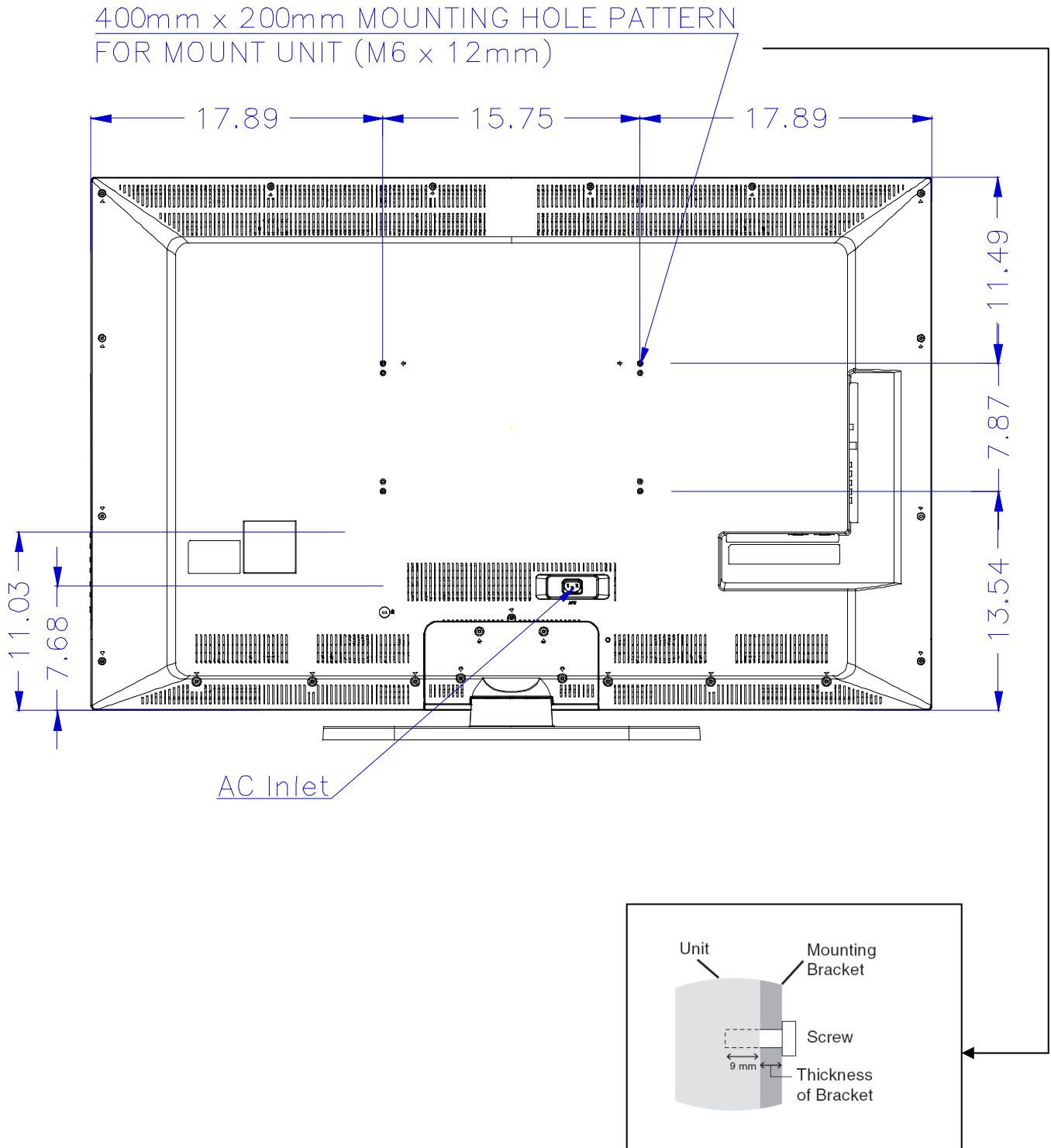


E552 Installation Guide

55" LCD Display

Rev 1.2

Display dimensions (cont.)

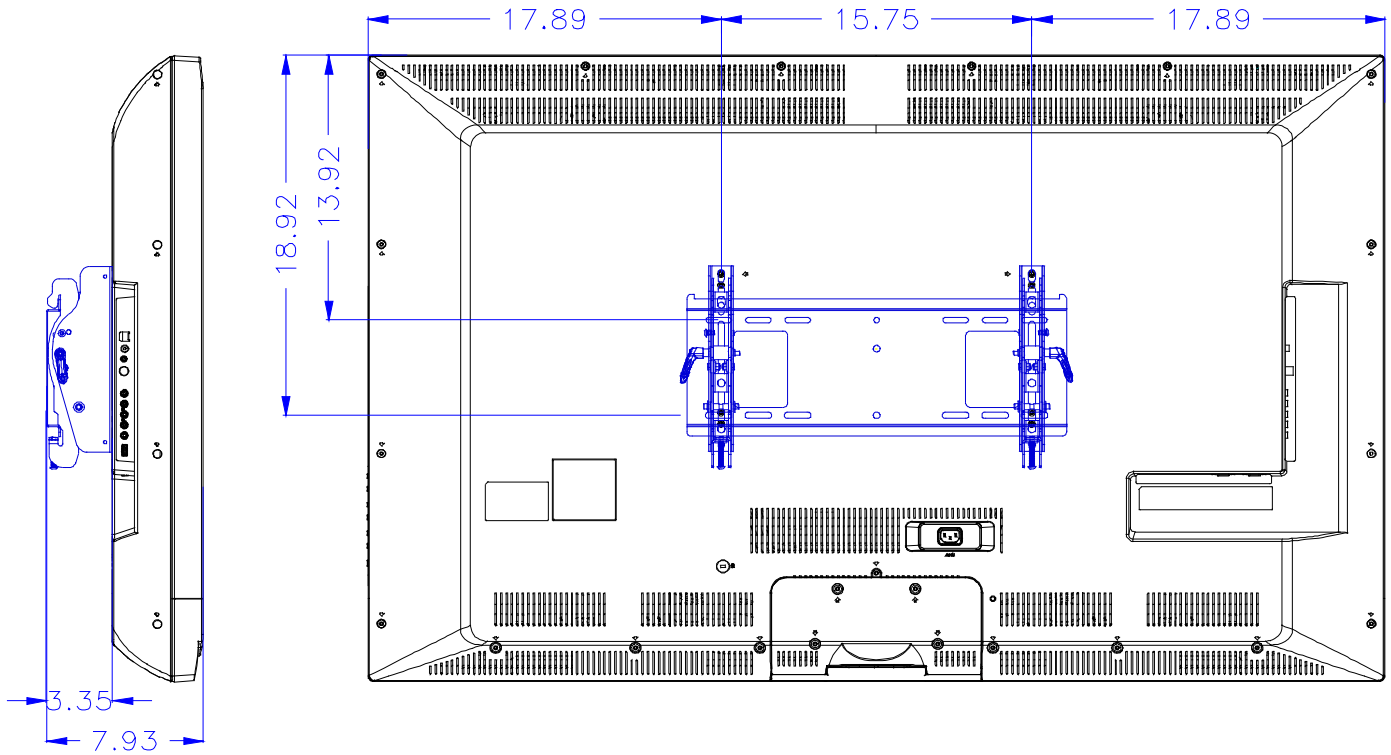


E552 Installation Guide

55" LCD Display

Rev 1.2

Dimensions with optional Wall Mount Kit (WMK-3257)



E552 Installation Guide

55" LCD Display

Rev 1.2

Input Panels

Bottom:



Side (Rotated):



E552 Installation Guide

55" LCD Display

Control Codes

Function		Code Data
POWER	ON	01 30 41 30 41 30 43 02 43 32 30 33 44 36 30 30 30 31 03 73 0D
	OFF	01 30 41 30 41 30 43 02 43 32 30 33 44 36 30 30 30 34 03 76 0D
INPUT SWITCH	VGA (15pin HD)	01 30 41 30 45 30 41 02 30 30 36 30 30 30 30 31 03 73 0D
	HDMI1	01 30 41 30 45 30 41 02 30 30 36 30 30 30 31 31 03 72 0D
	HDMI2	01 30 41 30 45 30 41 02 30 30 36 30 30 30 31 32 03 71 0D
	HDMI3	01 30 41 30 45 30 41 02 30 30 36 30 30 30 31 33 03 70 0D
	Video (Composite)	01 30 41 30 45 30 41 02 30 30 36 30 30 30 30 35 03 77 0D
	TV	01 30 41 30 45 30 41 02 30 30 36 30 30 30 30 30 41 03 03 0D
AUDIO MUTE	Video (Component)	01 30 41 30 45 30 41 02 30 30 36 30 30 30 30 43 03 01 0D
	ON	01 30 41 30 45 30 41 02 30 30 38 44 30 30 30 31 03 09 0D
KEY LOCK	OFF	01 30 41 30 45 30 41 02 30 30 38 44 30 30 30 32 03 0A 0D
	All Buttons	01 30 41 30 45 30 41 02 30 30 46 42 30 30 30 31 03 71 0D
	Control Buttons Only	01 30 41 30 45 30 41 02 30 30 46 42 30 30 30 31 03 71 0D
VGA AUTO SETUP	Unlock	01 30 41 30 45 30 41 02 30 30 46 42 30 30 30 30 03 70 0D
		01 30 41 30 45 30 41 02 30 30 31 45 30 30 30 31 03 01 0D
TV CHANNEL	Up	01 30 41 30 45 30 41 02 30 30 38 42 30 30 30 31 03 0F 0D
	Down	01 30 41 30 45 30 41 02 30 30 38 42 30 30 30 32 03 0C 0D
Analog Closed Caption	Off	01 30 41 30 45 30 41 02 31 30 38 34 30 30 30 31 03 78 0D
	CC1	01 30 41 30 45 30 41 02 31 30 38 34 30 30 30 32 03 7B 0D
	CC2	01 30 41 30 45 30 41 02 31 30 38 34 30 30 30 33 03 7A 0D
	CC3	01 30 41 30 45 30 41 02 31 30 38 34 30 30 30 34 03 7D 0D
	CC4	01 30 41 30 45 30 41 02 31 30 38 34 30 30 30 35 03 7C 0D
	TT1	01 30 41 30 45 30 41 02 31 30 38 34 30 30 30 36 03 7F 0D
	TT2	01 30 41 30 45 30 41 02 31 30 38 34 30 30 30 37 03 7E 0D
	TT3	01 30 41 30 45 30 41 02 31 30 38 34 30 30 30 38 03 71 0D
	TT4	01 30 41 30 45 30 41 02 31 30 38 34 30 30 30 39 03 70 0D
	Digital Closed Caption	Off
Srv1		01 30 41 30 45 30 41 02 31 30 41 31 30 30 30 32 03 07 0D
Srv2		01 30 41 30 45 30 41 02 31 30 41 31 30 30 30 33 03 06 0D
Srv3		01 30 41 30 45 30 41 02 31 30 41 31 30 30 30 34 03 01 0D
Srv4		01 30 41 30 45 30 41 02 31 30 41 31 30 30 30 35 03 00 0D
Srv5		01 30 41 30 45 30 41 02 31 30 41 31 30 30 30 36 03 03 0D
Srv6		01 30 41 30 45 30 41 02 31 30 41 31 30 30 30 37 03 02 0D

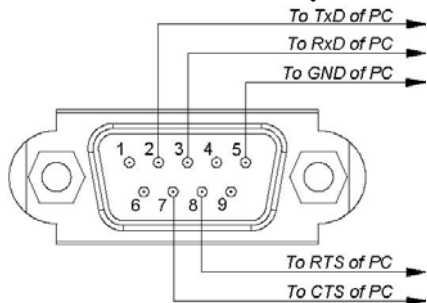
NOTE: The above list contains all the compatible external communication codes for the E552.

Cable Connection

Communication Protocol:

Interface:	RS-232C	Parity:	None
Communication:	Asynchronous	Stop Bit:	1 bit
Baud Rate:	9600 bps	Communication Code:	Hex
Data Length:	8 bits		

PC Control Connector (D-Sub 9P)



NOTE: If so desired, jumper "Request to send" and "Clear to Send" together on both ends of the cable to simplify cable connection. These connections are not required. The only connections required are pins 2 (TxD), 3 (RxD) and 5 (GND).