

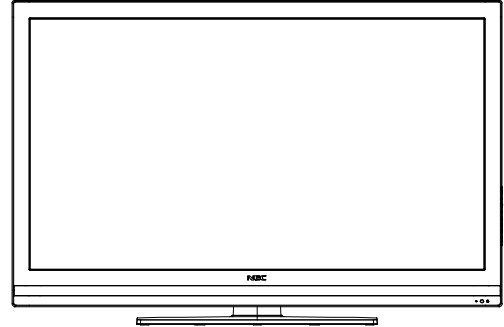
E551 Installation Guide

55" LCD Display

Rev 1.4

Contents:

Product Description and Notes	Page 1
Ventilation Requirements	Page 2
Display Dimensions	
Front, Top & Right Side	Page 3
Rear	Page 4
Display Dimensions with Stand	Page 5
Optional Wall Mount Dimensions (WMK-E551)	Page 6



Product Description:

Type: LCD Display
Resolution: 1920 x 1080
Aspect Ratio: 16:9
FCC: Class B
Power Consumption: 240W (typ)
BTU's: 818.92 BTU/hour

Screen Surface: Anti-Reflective
Dimensions without stand: 51.52"(W) x 32.89"(H) x 4.5"(D)
Dimensions with stand: 51.52"(W) x 34.84"(H) x 12.2"(D)
Weight without stand: 79.1 lbs
Weight with stand: 83.5 lbs

NOTES:

- This document is intended to be used as a reference guide to supply useful information for a design or installation. It is not intended to be a step-by step procedure for installation.
- Any ceilings or walls must be strong enough to support the monitor and the installation must be in accordance with any local building codes. All mounts should make secure contact to wood studs.
- This unit is built to sustain Landscape orientation only.
- 4:3 sources can be displayed on the 16:9 screen in either normal aspect ratio with bars on the left or right, or stretched horizontally to fill the screen using the menus (see "Aspect Modes" in menus and user manual).
- Distances are in inches, for millimeters multiply by 25.4.
- Distances may vary $\pm 5\%$.

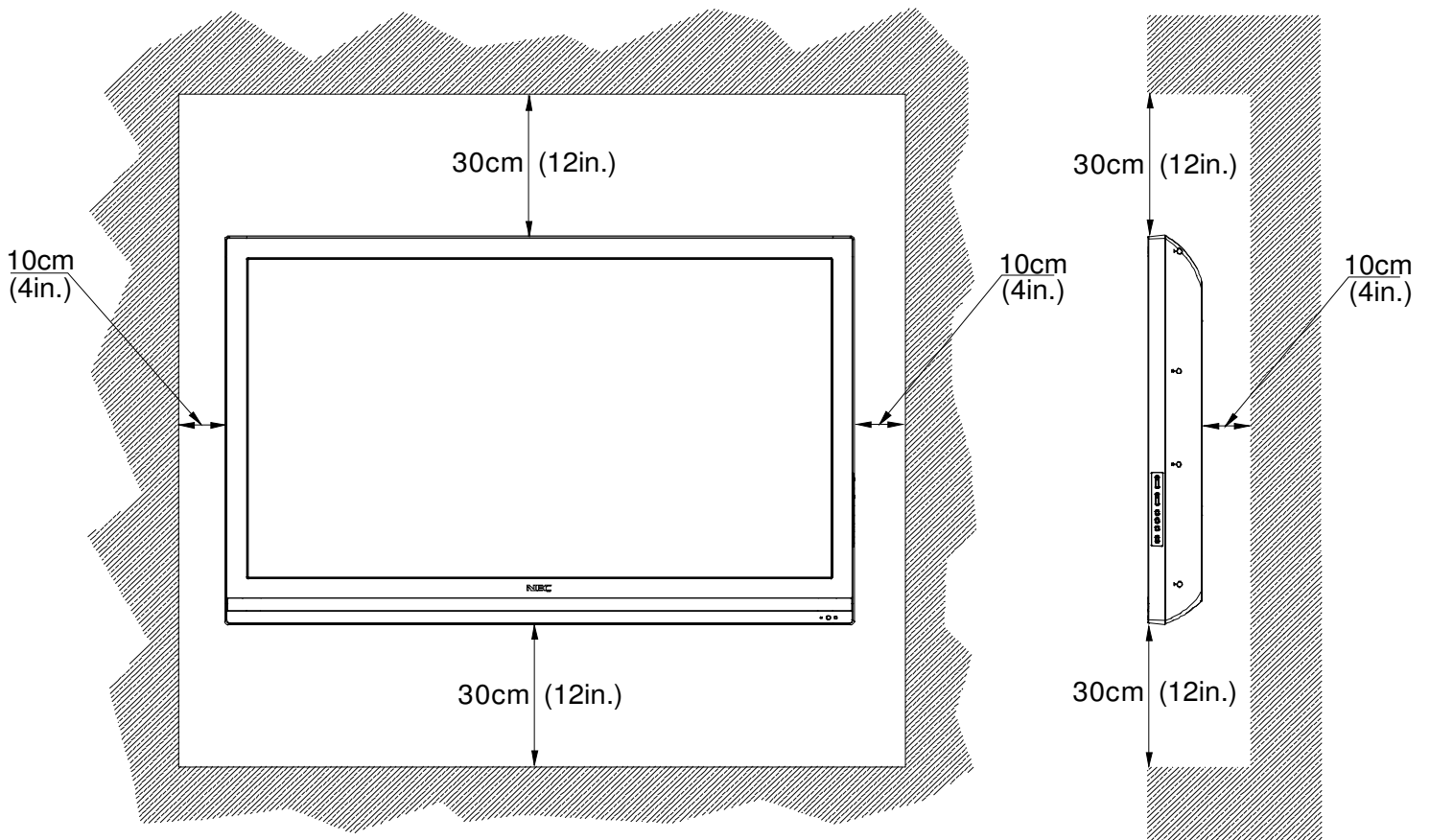
E551 Installation Guide

55" LCD Display

Rev 1.4

Ventilation Requirements:

Dimensions below are minimum required for proper ventilation.



NOTE:

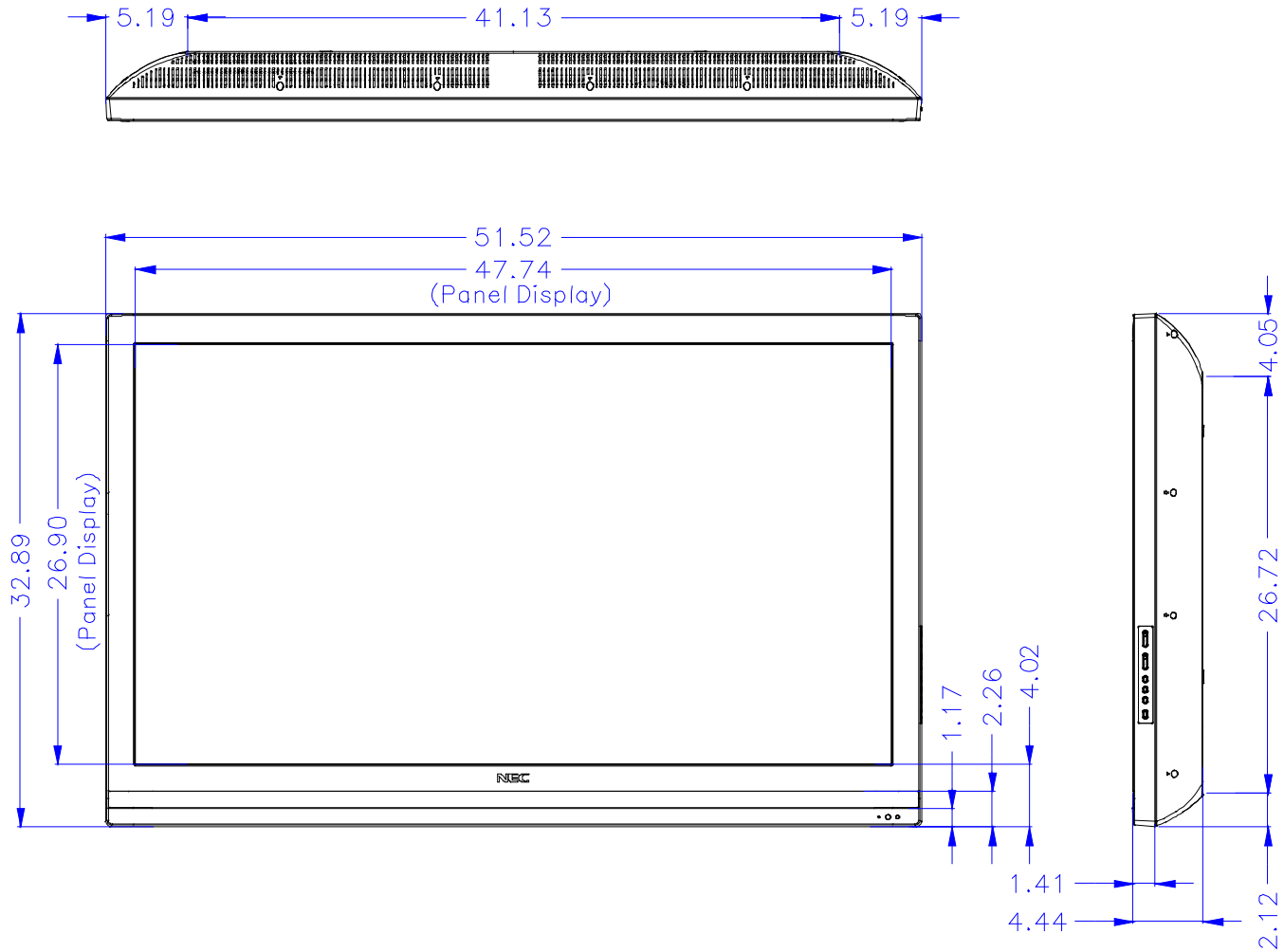
- The ventilation space should not be covered or closed off at the front of the opening. If for some reason the opening needs to be covered, other means of ventilation will need to be incorporated into the design. Contact NEC for design review and recommendations.

E551 Installation Guide

55" LCD Display

Rev 1.4

Display dimensions:

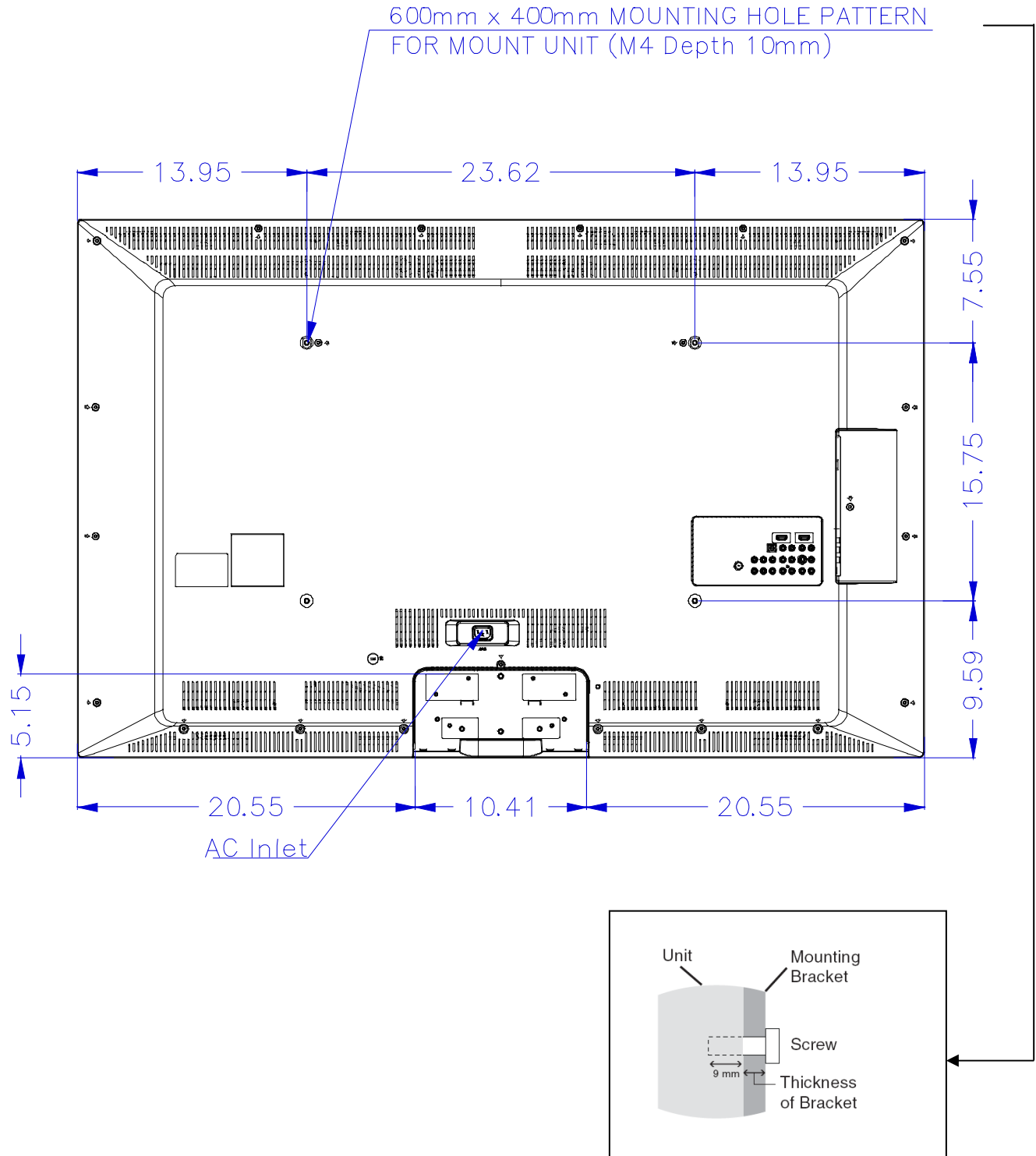


E551 Installation Guide

55" LCD Display

Rev 1.4

Display dimensions (cont.):

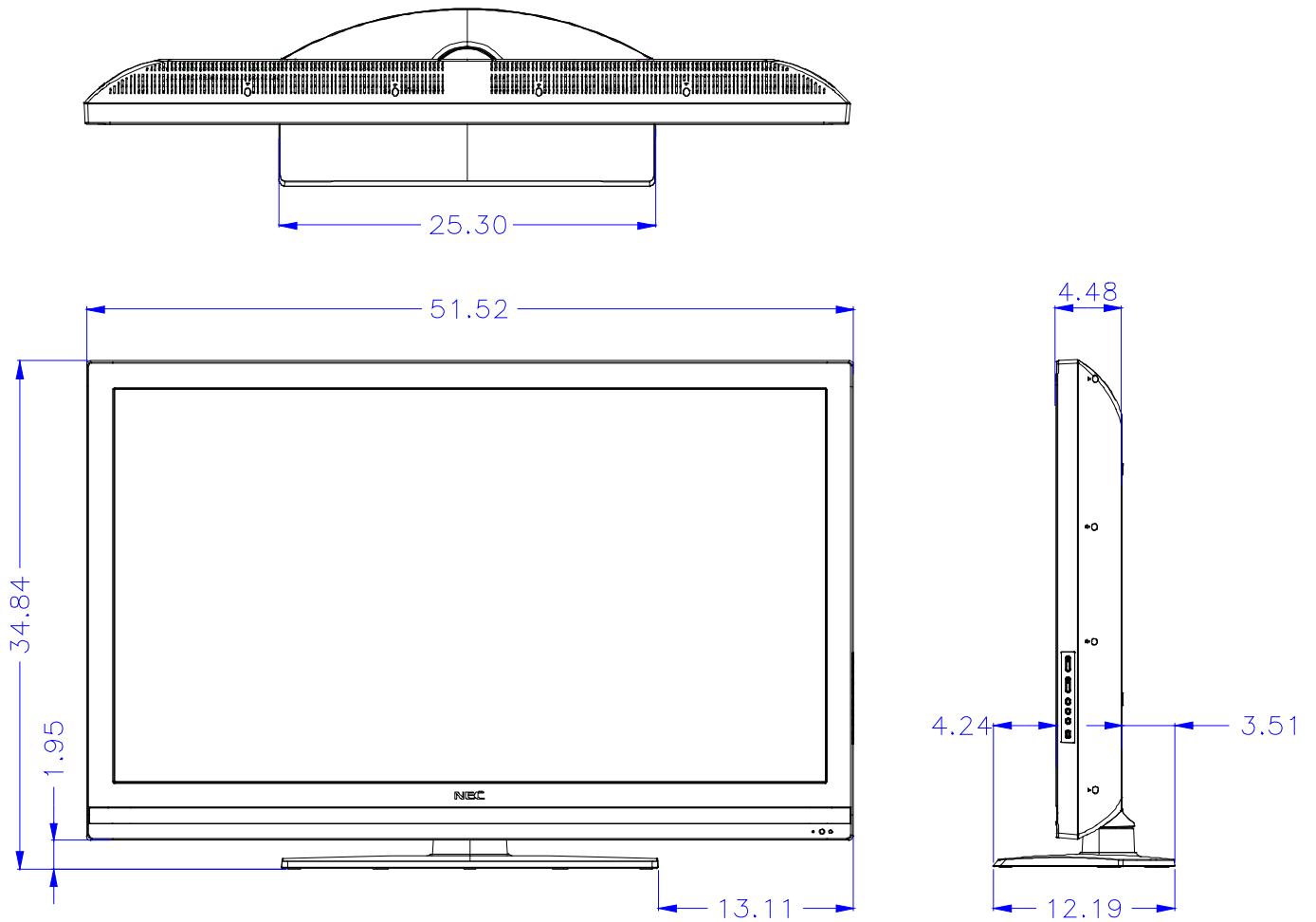


E551 Installation Guide

55" LCD Display

Rev 1.4

Dimensions with Stand:



E551 Installation Guide

55" LCD Display

Rev 1.4

Dimensions with optional Wall Mount Kit (WMK-E551):

