

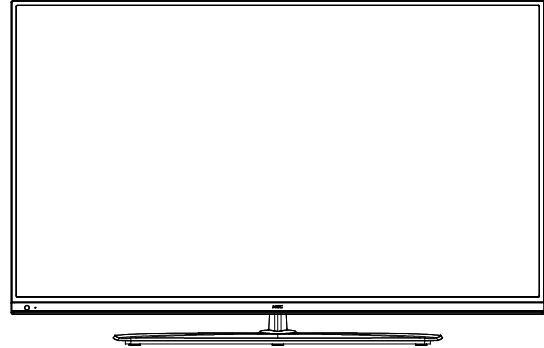
E424 Installation Guide

42" LCD Display

Rev 1.1

Contents

| | |
|---|--------|
| Product Description and Notes | Page 1 |
| Ventilation Recommendations | Page 2 |
| Display Dimensions | |
| With Stand | Page 3 |
| Front, Top, Right, Left, Bottom | Page 4 |
| Rear | Page 5 |
| Optional Wall Mount Dimensions (WMK-3257) | Page 6 |
| Input Panels | Page 7 |
| Control Codes | Page 8 |



Product Description

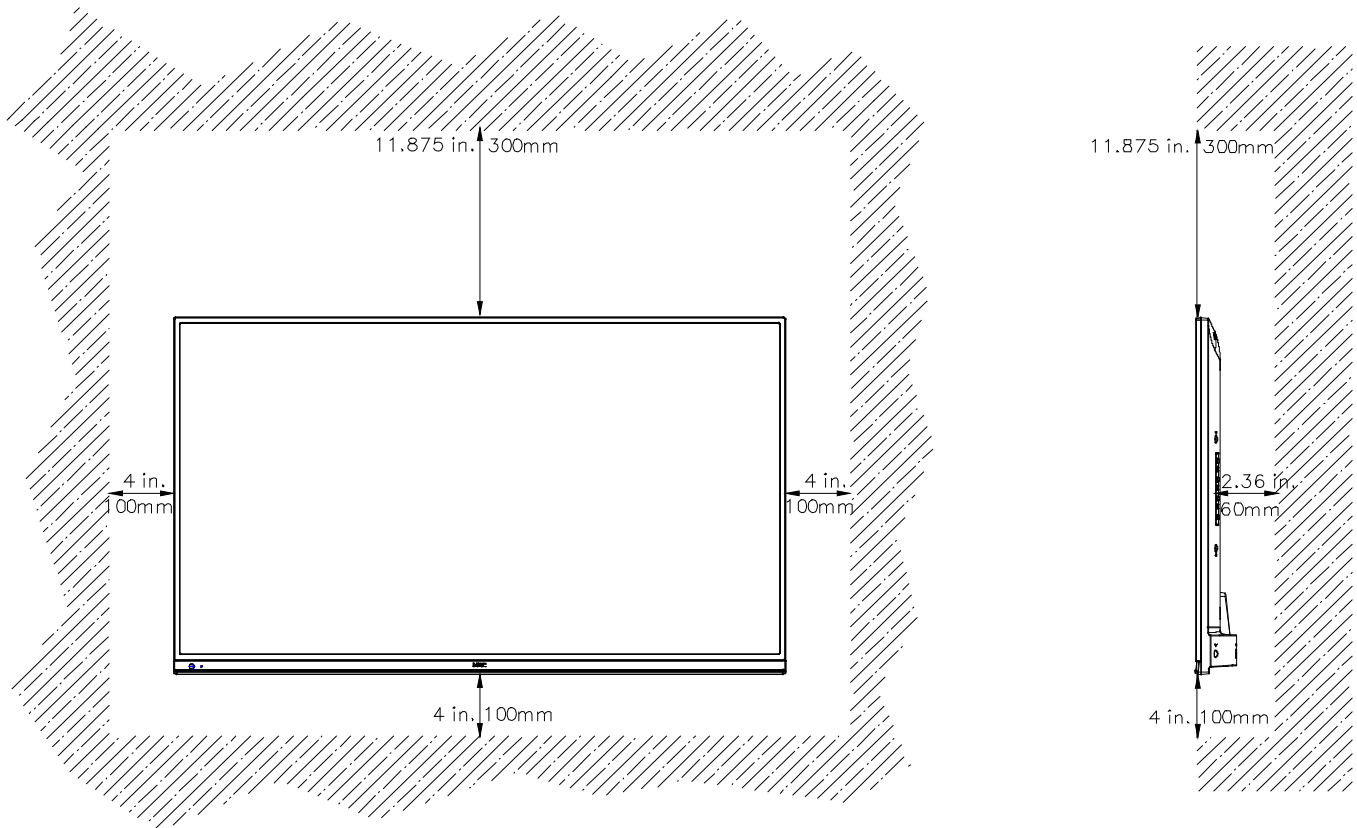
| | | | |
|--------------------|-----------------|---------------------------|----------------------------------|
| Type: | LCD Display | Screen Surface: | Anti-Reflective |
| Resolution: | 1920 x 1080 | Dimensions without stand: | 37.69"(W) x 22.56"(H) x 2.55"(D) |
| Aspect Ratio: | 16:9 | Dimensions with stand: | 37.69"(W) x 24.76"(H) x 8.43"(D) |
| FCC: | Class B | Weight without stand: | 26.7 lbs |
| Power Consumption: | 85W (typ) | Weight with stand: | 29.1 lbs |
| BTU's: | 290.03 BTU/hour | | |

NOTES:

- This document is intended to be used as a reference guide to supply useful information for a design or installation. It is not intended to be a step-by-step procedure for installation.
- Any ceilings or walls must be strong enough to support the monitor and the installation must be in accordance with any local building codes. All mounts should make secure contact to wood studs.
- This unit is built to sustain Landscape orientation only.
- Distances are in inches, for millimeters multiply by 25.4.
- Distances may vary $\pm 5\%$.

Ventilation Recommendations

Dimensions below are minimum recommended for proper ventilation.



NOTE:

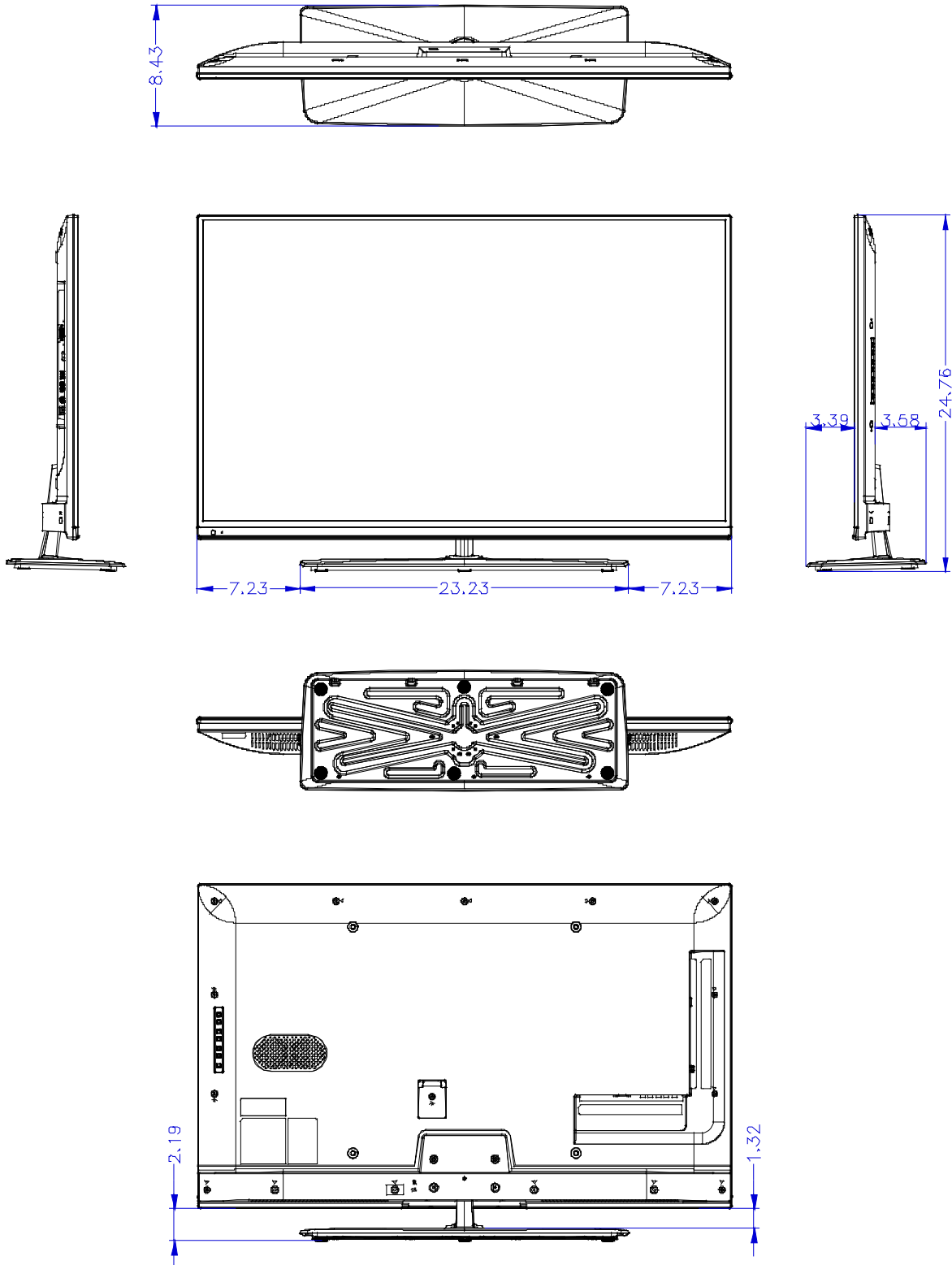
- The ventilation space should not be covered or closed off at the front of the opening. If for some reason the opening needs to be covered, other means of ventilation will need to be incorporated into the design. Contact NEC for design review and recommendations.

E424 Installation Guide

42" LCD Display

Rev 1.1

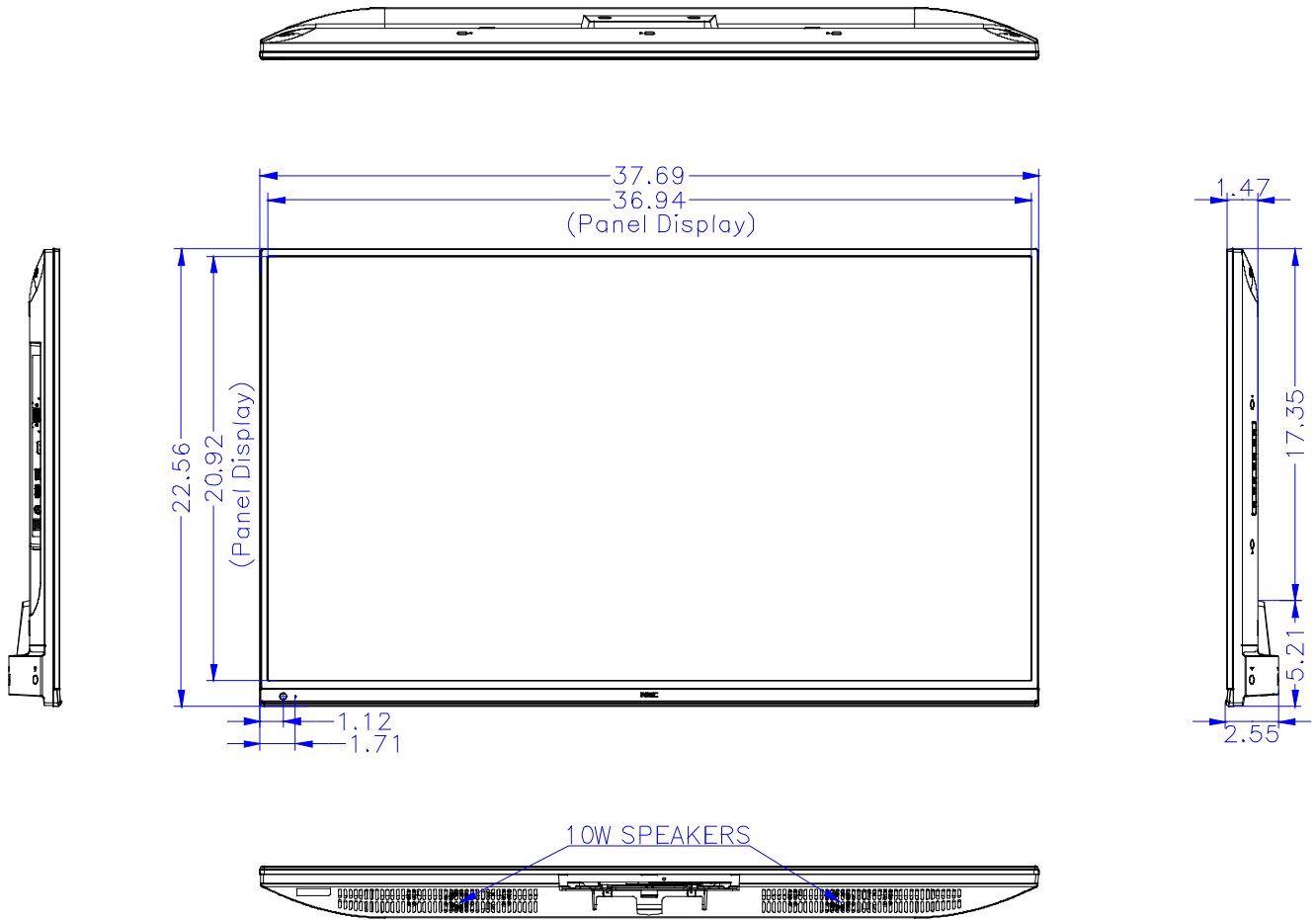
Display dimensions with stand attached



E424 Installation Guide

42" LCD Display

Rev 1.1

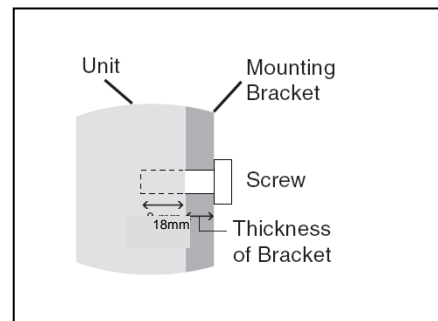
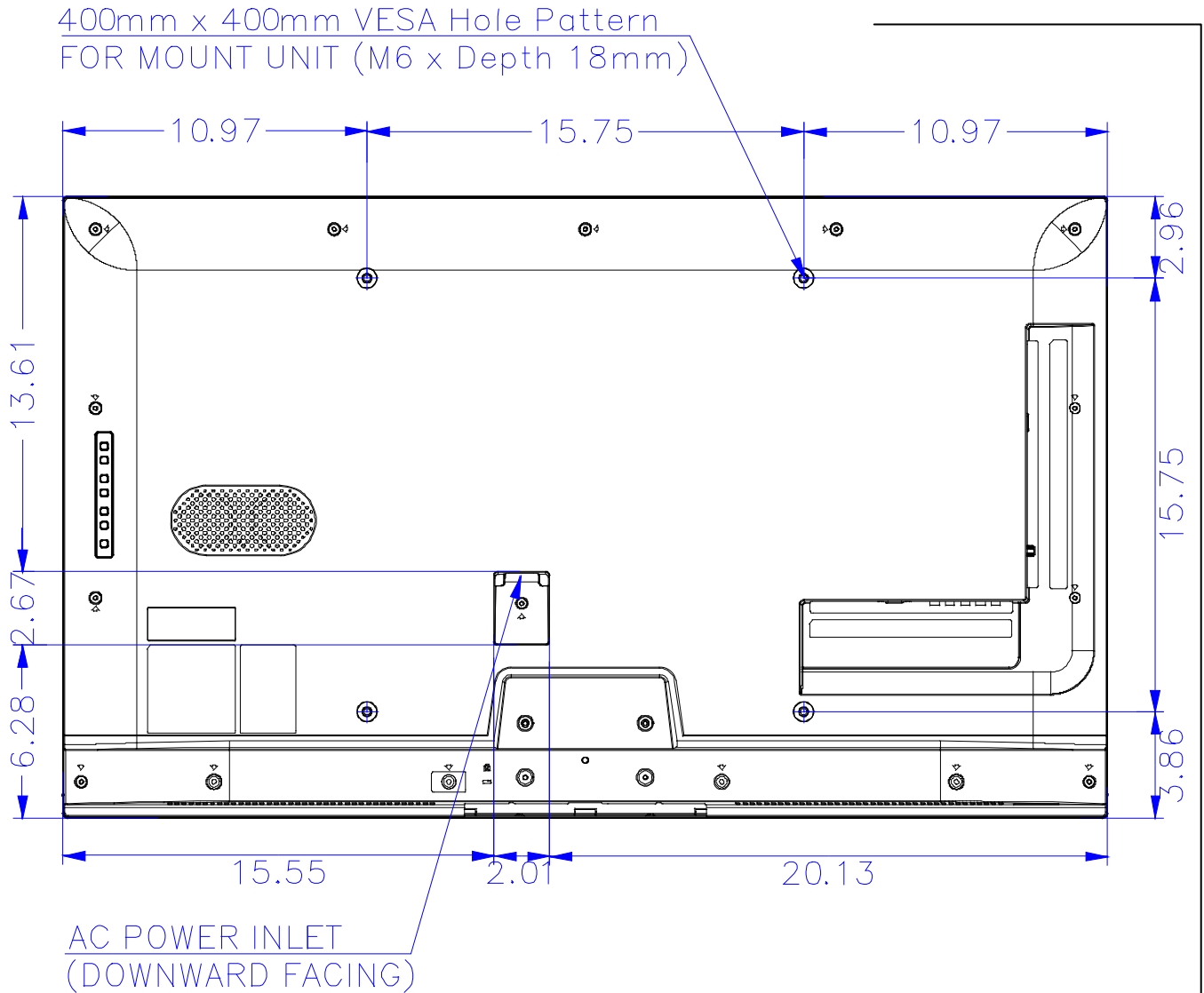


E424 Installation Guide

42" LCD Display

Rev 1.1

Display dimensions

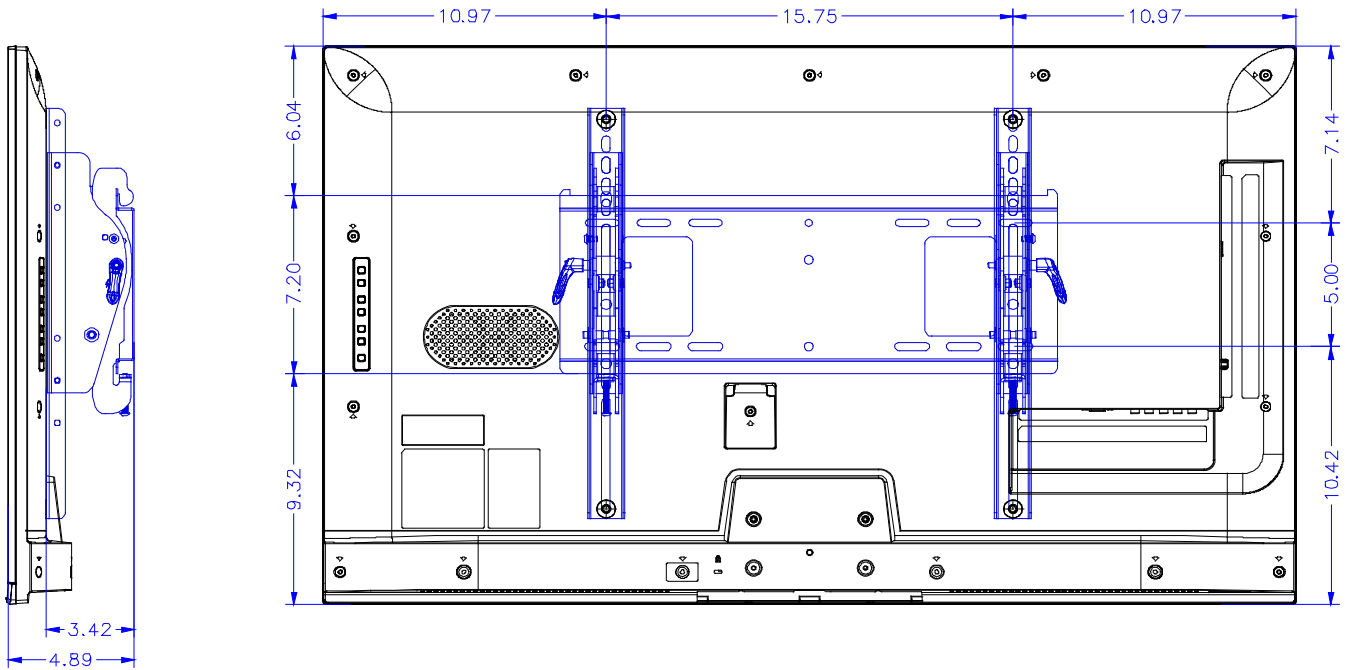


E424 Installation Guide

42" LCD Display

Rev 1.1

Dimensions with optional Wall Mount Kit (WMK-3257)



E424 Installation Guide

42" LCD Display

Rev 1.1

Input Panels

Back:



Side (Rotated):



E424 Installation Guide

42" LCD Display

Rev 1.0

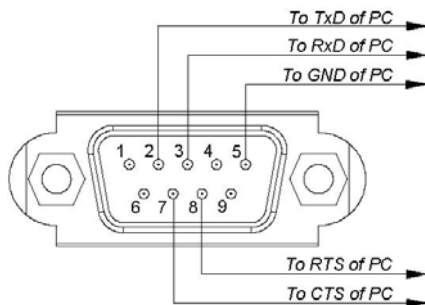
Control Codes

| Function | | Code Data |
|-----------------------|------------------------|--|
| POWER | ON | 01 30 41 30 41 30 43 02 43 32 30 33 44 36 30 30 30 31 03 73 0D |
| | OFF | 01 30 41 30 41 30 43 02 43 32 30 33 44 36 30 30 30 34 03 76 0D |
| INPUT SWITCH | VGA (15pin HD) | 01 30 41 30 45 30 41 02 30 30 36 30 30 30 30 31 03 73 0D |
| | HDMI1 | 01 30 41 30 45 30 41 02 30 30 36 30 30 30 31 31 03 72 0D |
| | HDMI2 | 01 30 41 30 45 30 41 02 30 30 36 30 30 30 31 32 03 71 0D |
| | HDMI3 | 01 30 41 30 45 30 41 02 30 30 36 30 30 30 31 33 03 70 0D |
| | Video (Composite) | 01 30 41 30 45 30 41 02 30 30 36 30 30 30 30 35 03 77 0D |
| | TV | 01 30 41 30 45 30 41 02 30 30 36 30 30 30 30 30 41 03 03 0D |
| AUDIO MUTE | Video (Component) | 01 30 41 30 45 30 41 02 30 30 36 30 30 30 30 43 03 01 0D |
| | ON | 01 30 41 30 45 30 41 02 30 30 38 44 30 30 30 31 03 09 0D |
| KEY LOCK | OFF | 01 30 41 30 45 30 41 02 30 30 38 44 30 30 30 32 03 0A 0D |
| | All Buttons | 01 30 41 30 45 30 41 02 30 30 46 42 30 30 30 32 03 72 0D |
| | Control Buttons Only | 01 30 41 30 45 30 41 02 30 30 46 42 30 30 30 31 03 71 0D |
| VGA AUTO SETUP | Unlock | 01 30 41 30 45 30 41 02 30 30 46 42 30 30 30 03 70 0D |
| | | 01 30 41 30 45 30 41 02 30 30 31 45 30 30 30 31 03 01 0D |
| TV CHANNEL | Up | 01 30 41 30 45 30 41 02 30 30 38 42 30 30 30 31 03 0F 0D |
| | Down | 01 30 41 30 45 30 41 02 30 30 38 42 30 30 30 32 03 0C 0D |
| Analog Closed Caption | Off | 01 30 41 30 45 30 41 02 31 30 38 34 30 30 30 31 03 78 0D |
| | CC1 | 01 30 41 30 45 30 41 02 31 30 38 34 30 30 30 32 03 7B 0D |
| | CC2 | 01 30 41 30 45 30 41 02 31 30 38 34 30 30 30 33 03 7A 0D |
| | CC3 | 01 30 41 30 45 30 41 02 31 30 38 34 30 30 30 34 03 7D 0D |
| | CC4 | 01 30 41 30 45 30 41 02 31 30 38 34 30 30 30 35 03 7C 0D |
| | TT1 | 01 30 41 30 45 30 41 02 31 30 38 34 30 30 30 36 03 7F 0D |
| | TT2 | 01 30 41 30 45 30 41 02 31 30 38 34 30 30 30 37 03 7E 0D |
| | TT3 | 01 30 41 30 45 30 41 02 31 30 38 34 30 30 30 38 03 71 0D |
| | TT4 | 01 30 41 30 45 30 41 02 31 30 38 34 30 30 30 39 03 70 0D |
| | Digital Closed Caption | Off |
| Srv1 | | 01 30 41 30 45 30 41 02 31 30 41 31 30 30 30 32 03 07 0D |
| Srv2 | | 01 30 41 30 45 30 41 02 31 30 41 31 30 30 30 33 03 06 0D |
| Srv3 | | 01 30 41 30 45 30 41 02 31 30 41 31 30 30 30 34 03 01 0D |
| Srv4 | | 01 30 41 30 45 30 41 02 31 30 41 31 30 30 30 35 03 00 0D |
| Srv5 | | 01 30 41 30 45 30 41 02 31 30 41 31 30 30 30 36 03 03 0D |
| Srv6 | | 01 30 41 30 45 30 41 02 31 30 41 31 30 30 30 37 03 02 0D |

NOTE: The above list contains most of the compatible external communication codes for the E424.

Cable Connection

PC Control Connector (D-Sub 9P)



Communication Interface

| | |
|--------------------|-----------|
| Protocol | RS-232C |
| Baud rate | 9,600 bps |
| Data length | 8 bits |
| Parity bit | None |
| Stop bit | 1 bit |
| Communication code | ASCII |

NOTE: If so desired, jumper "Request to send" and "Clear to Send" together on both ends of the cable to simplify cable connection. These connections are not required. The only connections required are pins 2 (Tx), 3 (Rx) and 5 (GND).

NOTE: Communication for the E424 is *not* bidirectional. The display will only accept commands and will not send feedback.