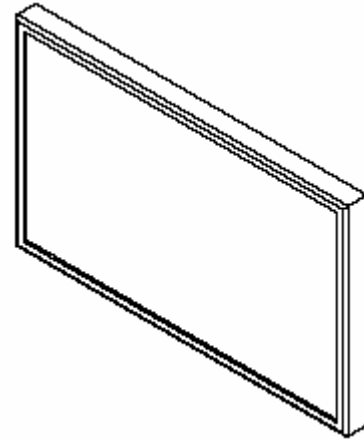


## 50XM6 Installation Guide 50" Plasma Display

Rev 1.0

### Contents:

Product Description and Notes	Page 1
Ventilation Requirements	Page 2
Display Dimensions	
Front, Top, Bottom & Right Side	Page 3
Rear	Page 4
Display Dimensions w/Optional Speakers and Stand	Page 5
Optional Speakers and Stand Dimensions	Page 6
Dimensions w/Optional Wall Mount	Page 7
Dimensions w/Optional Portrait Wall Mount	Page 8
Dimensions w/Optional Ceiling Mount	Page 9
Connections	Page 10
Control Codes	Page 11



### Product Description

Type: Plasma Display  
Resolution: 1365x768  
Aspect Ratio: 16:9  
Color Correction: NEC AccuCrimson (in front filter)

Screen Surface: Anti-Reflective  
Dimensions: 48.11" (W) x 28.98" (H) x 3.90" (D)  
Weight: 91.5 lbs  
FCC: Class B

### Notes

This document is intended to be used as a reference guide to supply useful information for a design or installation. It is not intended to be a step-by step procedure for installation.

Any ceilings or walls must be strong enough to support the display and the installation must be in accordance with any local building codes. All mounts should make secure contact to wood studs.

4:3 sources can be displayed on the 16:9 screen in either normal aspect ratio with bars on the left or right, or stretched horizontally to fill the screen using the menus (see "Aspect Modes" in menus and user manual).

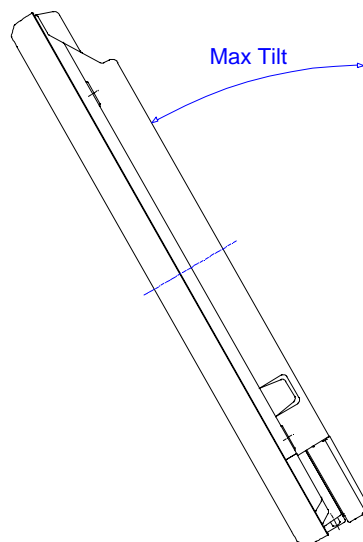
Distances are in inches, for millimeters multiply by 25.4.

Distances may vary  $\pm 5\%$ .

### Maximum Tilt Angles

Below are the maximum angles that the display can be tilted in both landscape and portrait mode

Landscape 30°  
Portrait 10°



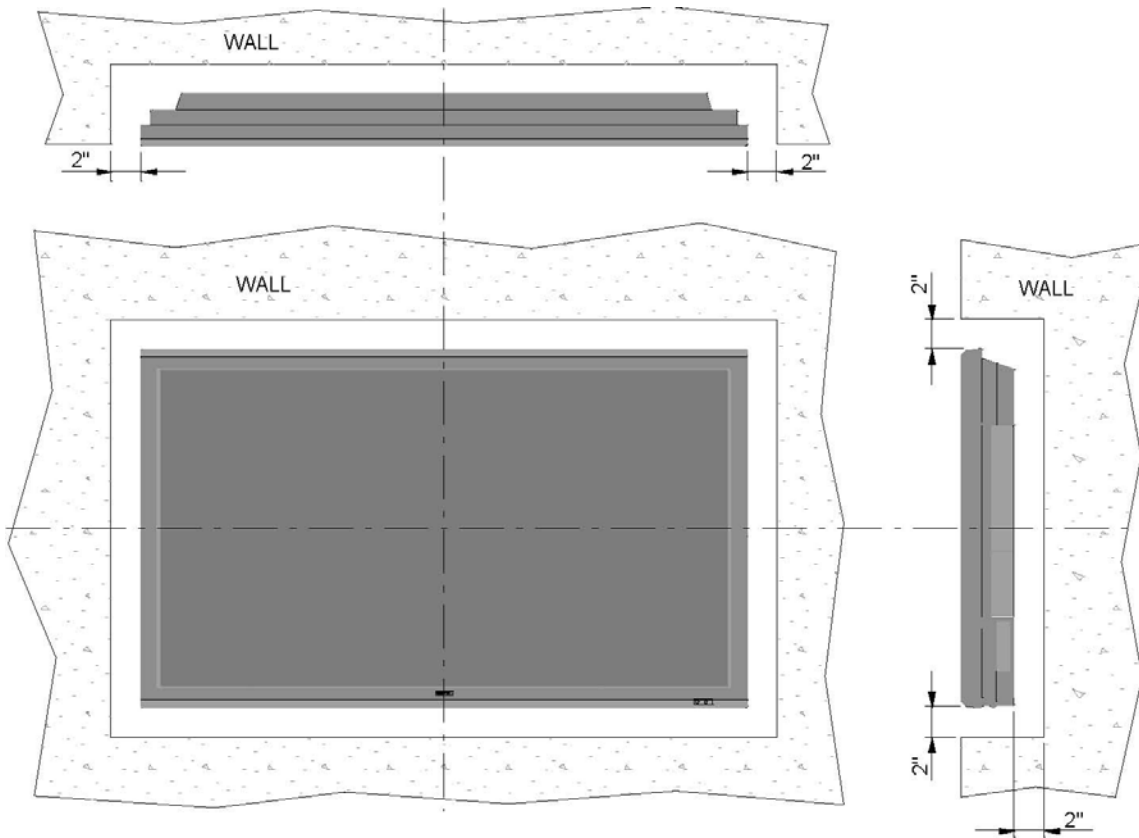
## 50XM6 Installation Guide

### 50" Plasma Display

Rev 1.0

#### Ventilation Requirements (all models)

Dimensions below are minimum required for proper ventilation.

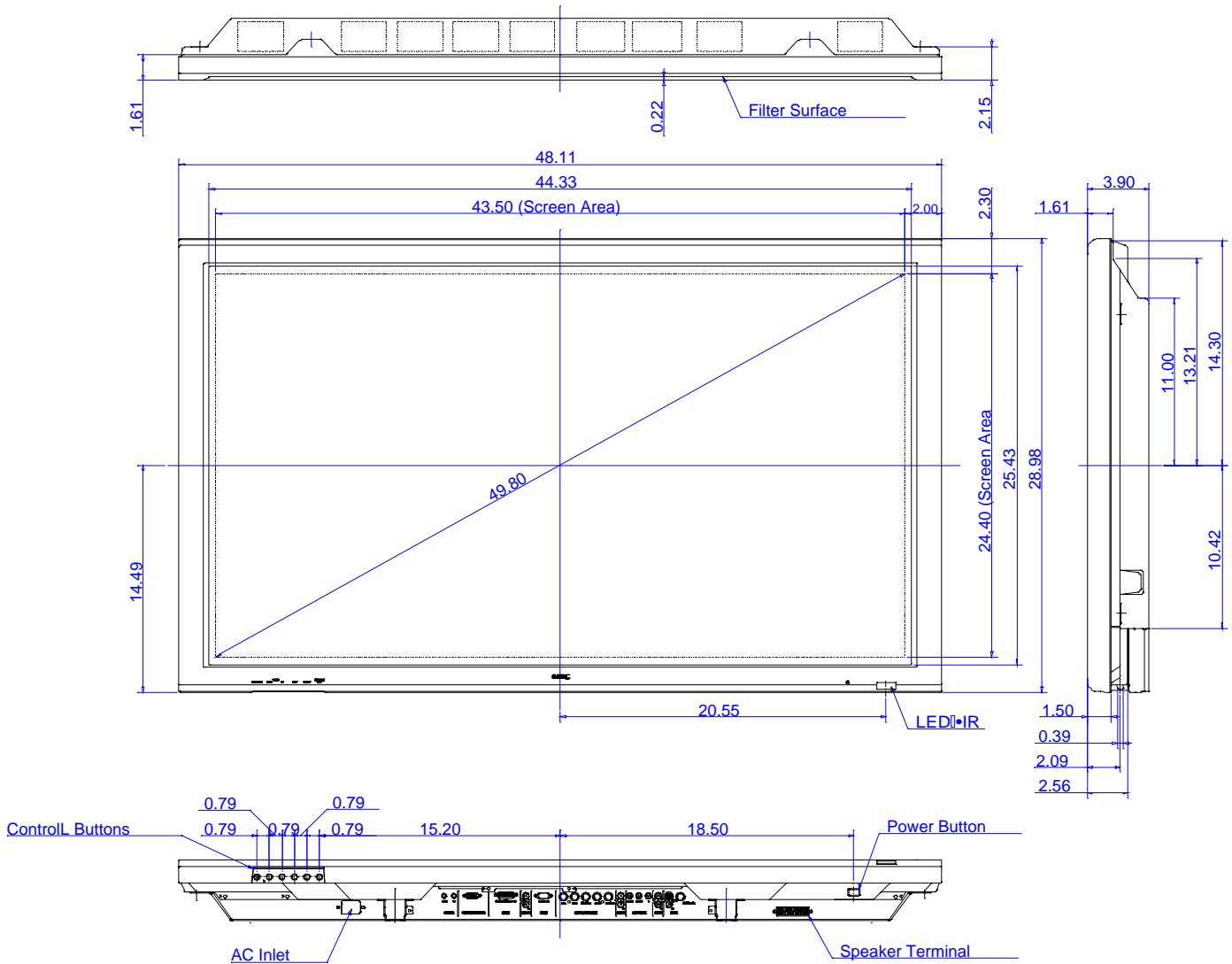


**NOTE:** The ventilation space should not be covered or closed off at the front of the opening. If for some reason the opening needs to be covered, other means of ventilation will need to be incorporated into the design. Contact NEC for design review and recommendations.

## 50XM6 Installation Guide 50" Plasma Display

Rev 1.0

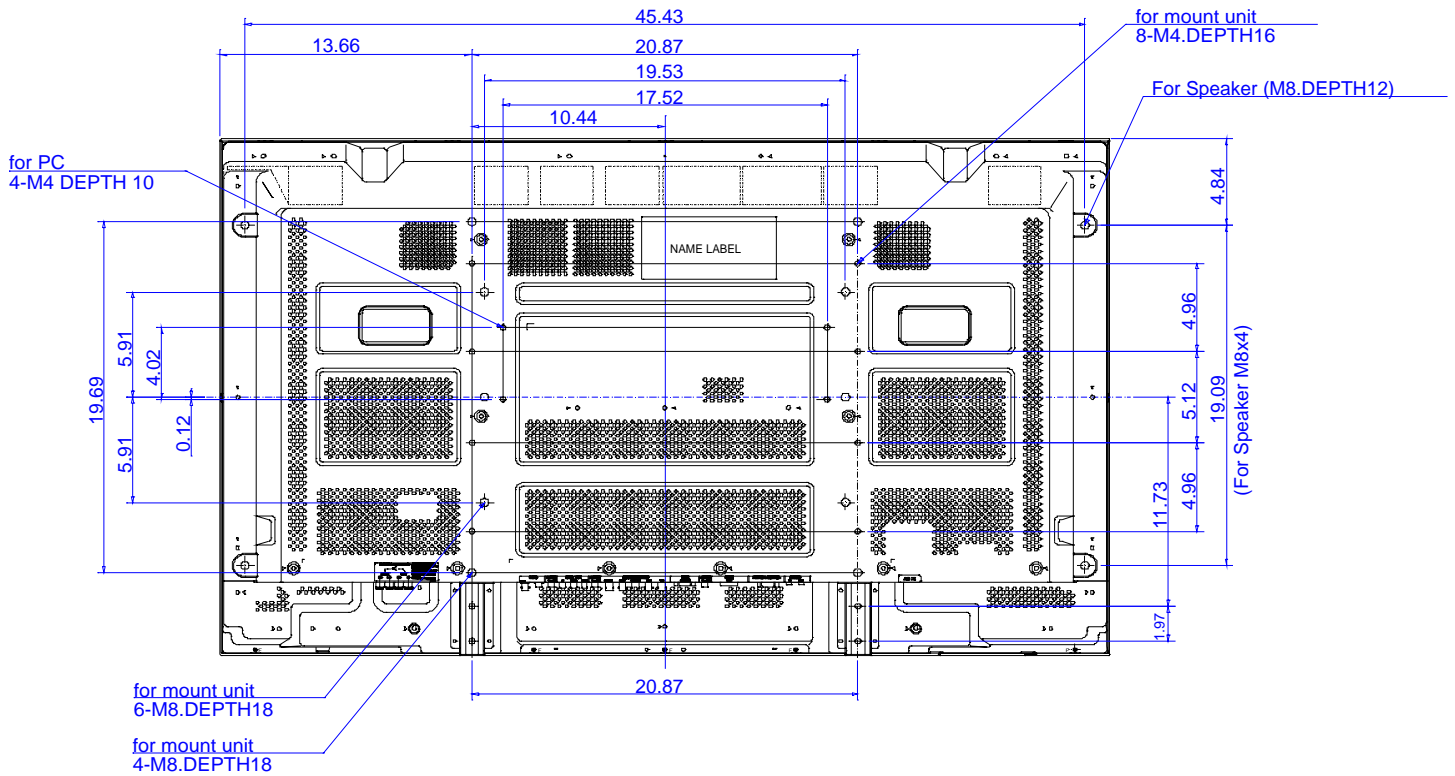
### Display dimensions



## 50XM6 Installation Guide 50" Plasma Display

Rev 1.0

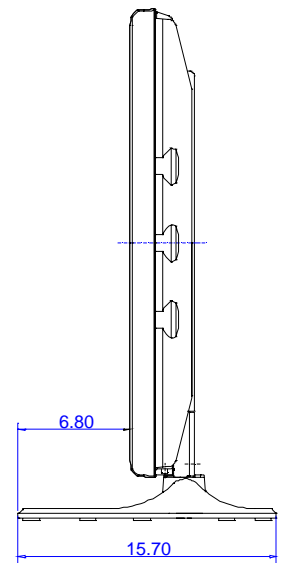
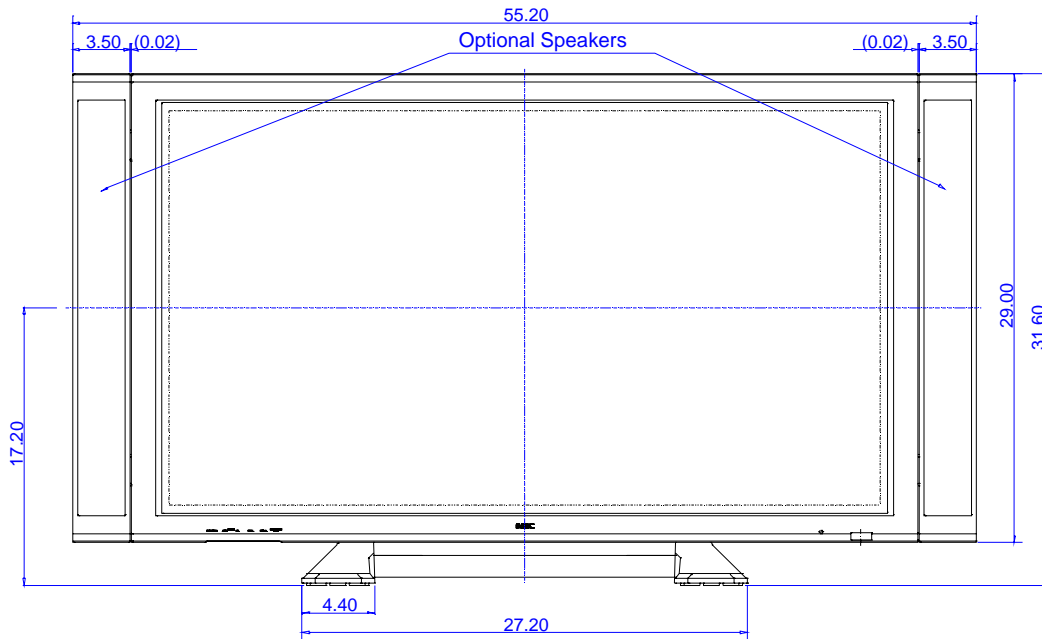
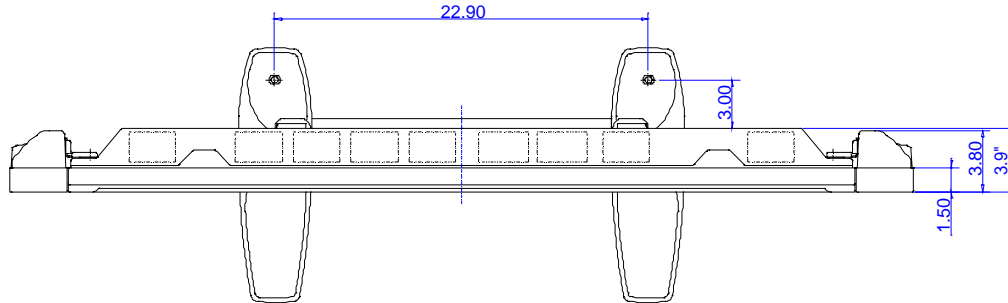
### Display dimensions (cont.)



## 50XM6 Installation Guide 50" Plasma Display

Rev 1.0

### Dimensions with optional speakers and stand



### Optional Speakers and Stand Dimensions

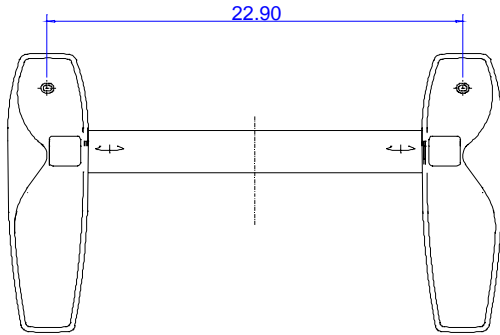
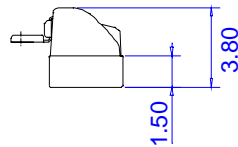
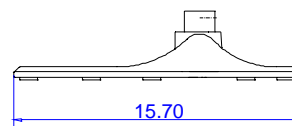
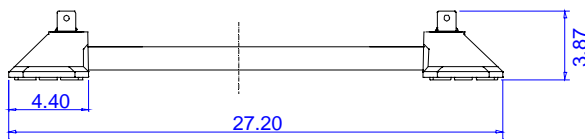
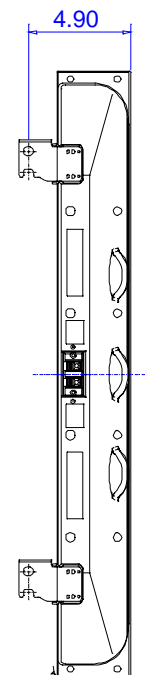
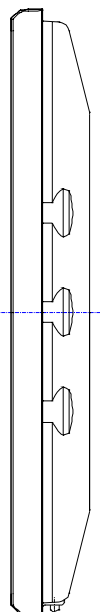
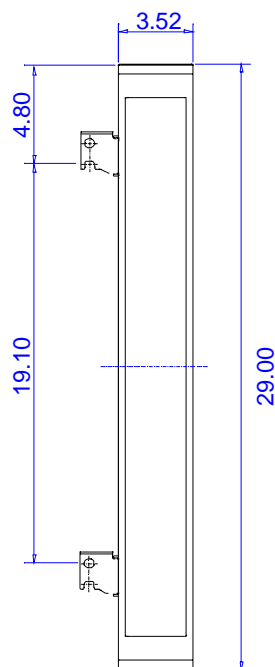


Table Top Stand (Part# PX-ST3U)



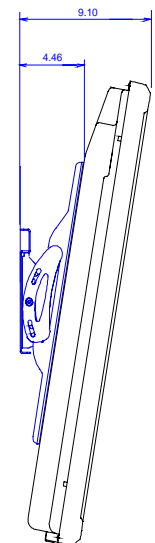
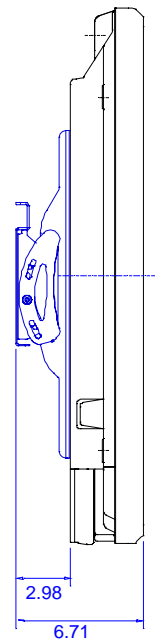
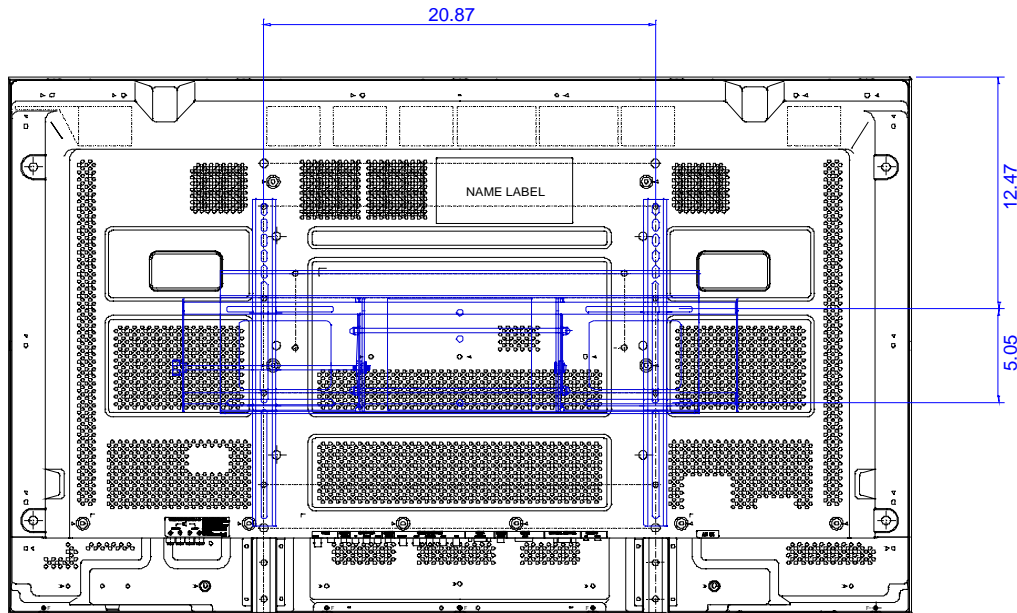
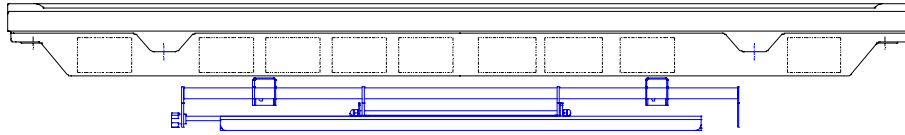
Optional Speaker (Part# PX-50SP3U)



## 50XM6 Installation Guide 50" Plasma Display

Rev 1.0

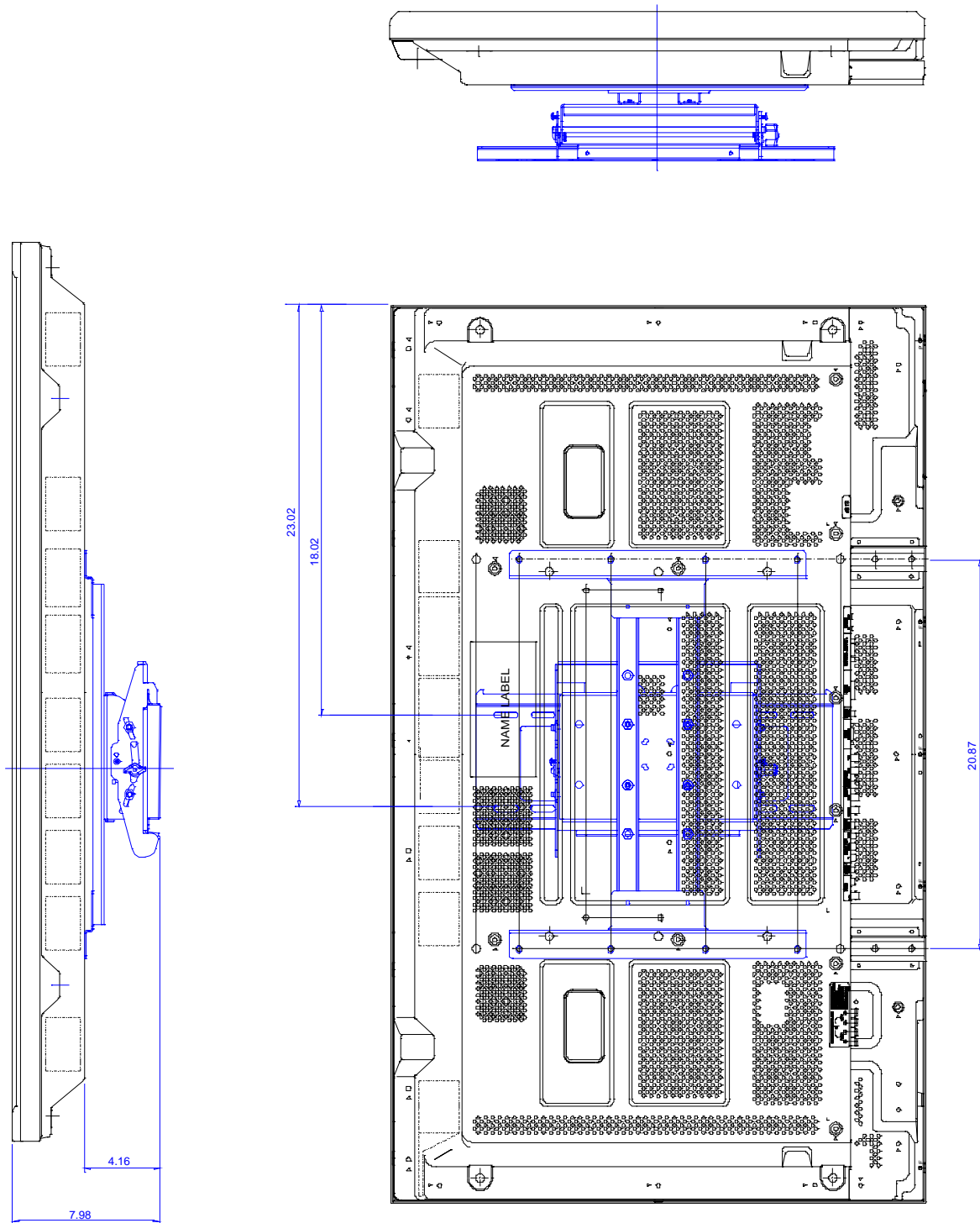
### Dimensions with optional Wall Mount Kit (4250WMK)



## 50XM6 Installation Guide 50" Plasma Display

Rev 1.0

### Dimensions with optional Portrait Wall Mount Kit (4250PMK)

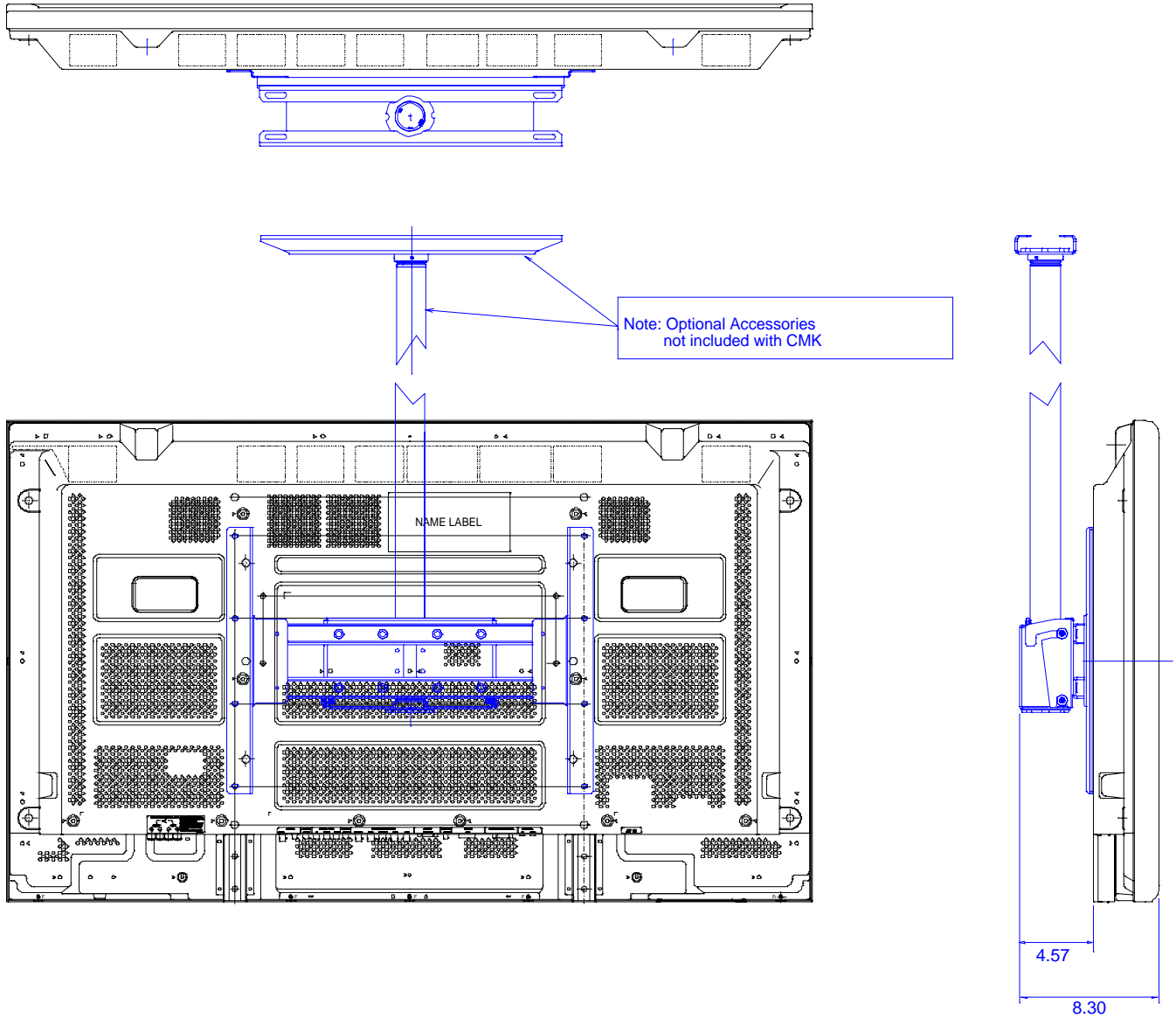




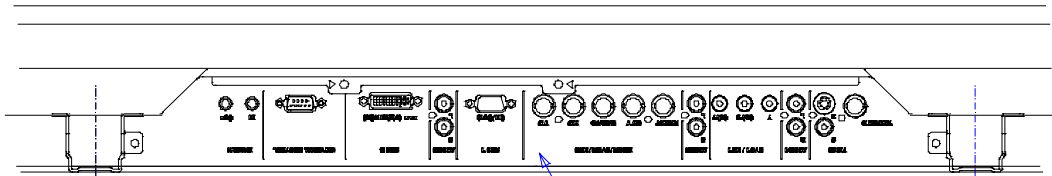
## 50XM6 Installation Guide 50" Plasma Display

Rev 1.0

### Dimensions with optional Ceiling Mount Kit (CMK)

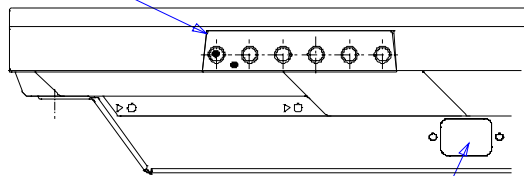


## Connections



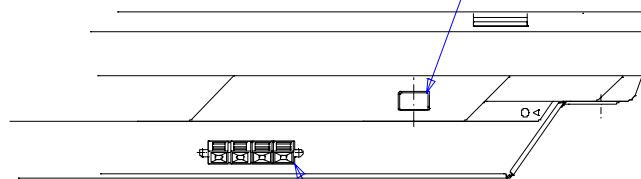
Located at bottom of display

Control Buttons

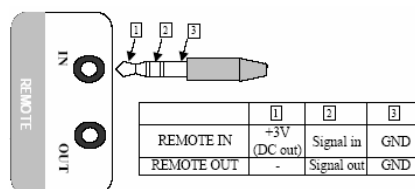


AC Inlet

Power Button



Ext. Speaker Terminal



## 50XM6 Installation Guide 50" Plasma Display

Rev 1.0

### Control Codes

Function		Code Data						
POWER	ON	9FH	80H	60H	4EH	00H	CDH	
	OFF	9FH	80H	60H	4FH	00H	CEH	
INPUT SWITCH	VIDEO1 (BNC)	DFH	80H	60H	47H	01H	01H	08H
	VIDEO2 (RCA)	DFH	80H	60H	47H	01H	02H	09H
	VIDEO2 (S-Video)	DFH	80H	60H	47H	01H	03H	0AH
	DVD1/HD1(RCA/Component)	DFH	80H	60H	47H	01H	05H	0CH
	DVD2/HD2 (5BNC/Component)	DFH	80H	60H	47H	01H	06H	0DH
	RGB1 (15pin HD)	DFH	80H	60H	47H	01H	07H	0EH
	RGB2 (5BNC/RGB)	DFH	80H	60H	47H	01H	08H	1FH
AUDIO MUTE	ON	9FH	80H	60H	3EH	00H	BDH	
	OFF	9FH	80H	60H	3FH	00H	BEH	
PICTURE MODE	NORMAL	DFH	80H	60H	0AH	01H	01H	CBH
	THEAT.1	DFH	80H	60H	0AH	01H	02H	CCH
	THEAT.2	DFH	80H	60H	0AH	01H	03H	CDH
	DEFAULT	DFH	80H	60H	0AH	01H	04H	CEH
	BRIGHT	DFH	80H	60H	0AH	01H	05H	CFH
SCREEN MODE:	STADIUM	DFH	80H	60H	51H	01H	02H	13H
	ZOOM	DFH	80H	60H	51H	01H	03H	14H
	NORMAL	DFH	80H	60H	51H	01H	04H	15H
	FULL	DFH	80H	60H	51H	01H	05H	16H
	2.35:1	DFH	80H	60H	51H	01H	0AH	1BH
AUTO PICTURE	ON	DFH	80H	60H	7FH	03H	03H	09H 00H 4DH
	OFF	DFH	80H	60H	7FH	03H	03H	09H 01H 4EH
CINEMA MODE	ON	DFH	80H	60H	C1H	01H	01H	82H
	OFF	DFH	80H	60H	C1H	01H	02H	83H

**NOTE:** Contact your NEC rep for codes not listed.

**NOTE:** Use a cross/reverse/null modem cable.

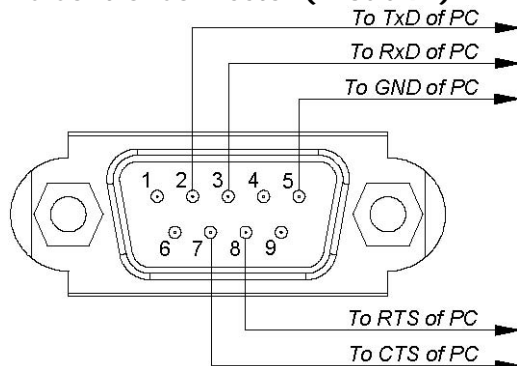
### Cable Connection

#### Communication Protocol:

Interface: RS-232C  
Communication: Asynchronous  
Baud Rate: 9600 bps  
Data Length: 8 bits

Parity: Odd  
Stop Bit: 1 bit  
Communication Code: Hex

#### PC Control Connector (D-Sub 9P)



**NOTE:** If so Desired, jumper "Request to send" and "Clear to Send" together on both ends of the cable to simplify cable connection. These connections are not required. The only connections required are pins 2 (RxD), 3 (TxD) and 5 (GND).