

# NEC PlasmaSync® Displays



Best in class image quality and accurate image reproduction

Unsurpassed product reliability and service

Exceptional contrast and brightness no matter what the viewing environment

Flexible features for any commercial application

## 50XM4

Command awe-inspiring brilliance.

NEC's commercial plasmas include innovative features and technologies from our renowned design labs.

### Inspirational color and image reproduction

- **Best in class image quality.** Image quality so superior that an NEC PlasmaSync display has received the DisplayMate "Five-Star" Best Video Hardware Award.
- **Capsulated Color Filter (CCF)** technology delivers realistic color reproduction.
- **AccuCrimson Filter** technology further enhances the effects of the CCF producing better reds and greens.
- **Digital AccuDevice.** All digital video processing allows for artifact and noise free video.
- **Mass Area Superior Sampling (MASS)** eliminates jagged lines and corrects color bleeds to create clear and defined images.
- **Color Tune Technology.** Adjust individual colors without affecting white balance.
- **Gamma 12** provides the highest color processing in a plasma display at 68.7 billion colors (4096 steps) resulting in increased detail never seen before... no matter what the viewing environment!

### Features and controls to improve upon perfection

- **Programmable timer** for virtual self-running operation.
- **Portrait or landscape** display orientation.
- **Complete RS232 control** allows command and feedback of the monitor from a control system.
- **Cabinet design** enables small form factor PC's to be attached to the back of the plasma.
- **High altitude capable** with an operating altitude of 9180 feet.
- **Complies with ADA508** standards for color blind and hearing impaired users with black & white menus and closed caption support.
- **Zoom.** Highlight portions of still or motion video to reinforce your message.
- **Enhanced split screen.** Unique split screen functionality allows simultaneous display of multiple inputs.

### Long term investment protection

- **Long lasting.** Up to 60,000 panel half-life (that's 20 years, 8 hours a day)!\*
- **Ranked #3** by PAC Media for product quality/reliability and product warranty repair/return programs.
- **Executive Order 13221** advanced power saving features include a standby setting that uses <1 watt and a hard power switch to completely shut down the unit.
- **AccuShield** provides multiple ways to protect from permanent image retention.
- **Low power consumption** places NEC among the leaders in the industry.

see back for details on NEC's  
**REAL WORLD**  
CONTRAST MEASUREMENTS

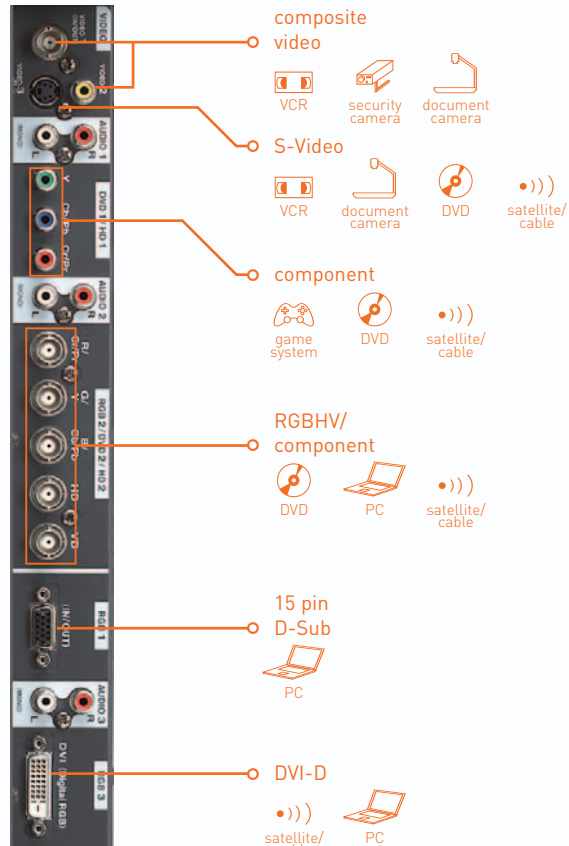
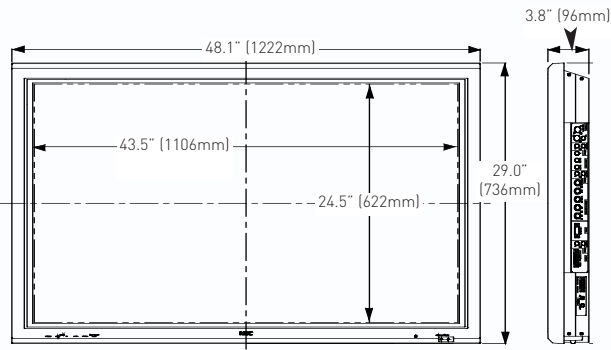
\*60,000 hour panel life is an approximate time for the display panel to reach half of its original brightness. The panel life is based on motion video as the input source and all display settings at factory default. This time may vary if the source varies and monitor settings are not at factory default. The time given does not imply any warranty beyond the products standard warranty.

Empowered by Innovation

**NEC**

# NEC PlasmaSync® Displays

## 50XM4



### Specifications

Model Number	PX-50XM4A, Diagonal Screen Size 50"
Screen Aspect Ratio	16 to 9
Active Screen Area	43.5" x 24.5", 1106 mm x 622 mm
Native Pixel Resolution	1365 x 768
Pixel Pitch	0.81 mm x 0.81 mm
Capsulated Color Filter	Yes
Accurimion	Yes
Front Filter Type	AR - Anti reflective
Color Processing	68.7 billion colors (4096 steps)
Viewing Angle	160 degrees
Horizontal Frequency Range	15.5 to 110.0 kHz auto, step scan
Vertical Frequency Range	50 to 120 Hz auto, step scan
PC Signal Compatibility	VGA 640x480 @ 60,72,75,85,100, 120 Hz SVGA 800x600 @ 56, 60, 72,75,85,100,120 Hz XGA 1024x768 @ 60,70,75, 85, 100 Hz SXGA 1280x1024 @ 60, 75, 85, 100 Hz UXGA 1600x1200 @ 60, 65, 70, 75, 85 Hz WideVGA 848x480, 852 x 480 @ 60 Hz WideXGA 1360 x 765 @60 Hz, 1280 x 768 @ 60Hz
Macintosh Compatibility	640x480, 832x624, 1024x768, 1152x870
Video Signal Compatibility	PAL, SECAM, 3.58/4.43 NTSC
HD Video Signal Compatibility	480p 480i, 525p, 525i, 540p, 625p, 625i, 720p,1035i, 1080i
Input Terminals	RGB 1 (analog) 15-pin mini D-sub (common use with RGB out, selectable) RGB 2 (analog) 5 BNC (RGB/HV) (common use with 5BNC Y/Pb/Pr input, selectable) RGB 3 (digital) 24-pin DVI-D HDCP (EIA/CEA-861-A) compatible Video 1 Composite BNC x 1 (common use with Video out, selectable) Video 2 Composite RCA x 1 Video 3 S-Video 4-Pin DIN HD Video 1 1 set RCA Component (Y,Pb,Pr/Y,Cb,Cr) HD Video 2 1 set BNC Component (Y,Pb,Pr/Y,Cb,Cr) (common use with 5BNC Y/Pb/Pr input,selectable)
Output terminals	Audio 3 sets RCA stereo + external speaker jacks RGB (analog) 15 PIN mini D-sub (common use with RGB1, selectable) Video Composite BNC (common use with Video1, selectable)
Audio	Internal amplifier, 9W x 2 output power
External Control	9-pin mini D-Sub, RS232
User Controls	Direct Access Power on/off, input selection, volume up/down, OSM access, (Control Lock Switch located on input panel) Remote Control Power on/off, input select, volume, mute, wide, display, off-timer, OSM control, cursor, pointer, zoom, auto, select OSM <b>Picture</b> - Contrast, brightness, sharpness, color, tint, color temperature, white balance, picture mode, noise reduction, gamma, low tone and color tune <b>Audio</b> - bass, treble, balance and audio input <b>Image Adjust</b> - aspect ratio mode, vertical position, horizontal position, vertical height, horizontal width, fine picture, picture adjust, auto picture <b>Option 1</b> - OSM on/off, BNC Input, D-sub Input, RGB select, HD select, Input Skip, All Reset <b>Option 2</b> - Pwr. Mgmt., Cinema Mode, Long Life Mode, Closed Captioning, DVI Setup <b>Option 3</b> - Timer, Pwr. On mode, Control Lock, IR Remote, Loop Out, ID Number, Video Wall Advanced OSM, Language, Color System, Source Information
Plug & Play	DDC1, DDC2B (RGB3 is DDC2B only)
Power Requirements	120V 50/60 Hz
Power Consumption	425W Typical, 7.6A Max
Standby Power	0.75W
Dimensions (WxHxD)	48.1" x 24.5" x 3.8", 1222 mm x 622 mm x 96 mm
Weight	96.4 lbs., 43.8 kg (without tabletop stand)
Environmental Considerations	Operating Temperature 32 - 104 degrees F (0 - 40 degrees C) Operating Humidity 20 - 80% Operating Altitude 0 - 9180 feet (0 - 2800m) Storage Temperature 14 - 122 degrees F (-10 - 50 degrees C) Storage Humidity 10 - 90% Storage Altitude 0 to 9840 feet (0 - 3000m)
Warranty	1 Year Parts & Labor Standard
Regulatory	FCC Class A, UL1950, CSA950
Included Accessories	AC Power Cord, User Manual, Remote Control, Batteries, Cable Clamps
Optional Accessories	Tabletop Stand PX-ST1U Attachable Speakers PX-50SP1U Fixed Wall Mount FWMK Tilt Wall Mount TWMK Ceiling Mount CMK Fixed Wall Mount for PC FWMKPC Tilt Wall Mount for PC TWMKPC Ceiling Mount for PC CMKPC Input Terminal Cover PX-CV2U

### Contrast measurements for the real world.

To date, the plasma display market has not followed a consistent standard to determine contrast ratio with most measurements taken in unrealistically dark viewing conditions.

NEC takes pride in its contrast measurements, which reflect true-to-life viewing conditions typically found in environments that would incorporate a plasma display, such as an office, school, airport, shopping mall or home. By providing plasma displays that are optimized for "real world" conditions, users are assured more accurate image depth and detail that is real and not washed out.

NEC is setting the standard for high contrast in real world applications. This standard is validated by the PlasmaSync 61XM2's Five-Star DisplayMate Best Video Hardware Award. According to Dr. Raymond Soneira, President of DisplayMate Technologies, "The NEC 61XM2 Plasma monitor delivered impressive image and picture quality for both computer and video applications. Performance in both the laboratory tests and viewing tests was outstanding. The colors were bright, saturated and an excellent match to our professional studio reference monitor."

### Service and Support

The PlasmaSync 50XM4 is supported by NEC's industry leading service and support programs. It comes with a standard 1-year manufacturer's warranty plus an extended warranty option that provides two additional years of coverage and is available from your authorized NEC Visual Systems Division dealer.

For more information, call **1.800.NEC.INFO** or visit [www.necvisualsystems.com](http://www.necvisualsystems.com)

NEC is a registered trademark of NEC Corporation. All other trademarks are the property of their respective owners. All specifications subject to change without notice.

NEC Solutions (America), Inc.  
Visual Systems Division  
1250 Arlington Heights Rd., Suite 400  
Itasca, IL 60143-1248

Empowered by Innovation

**NEC**