

No matter what your multimedia needs may be, NEC's **61XM2+** PlasmaSync® displays give you the freedom to express yourself. Streamlined side by side capabilities enable unparalleled teleconferencing effectiveness and workgroup collaboration without sacrificing quality. The picture in picture capabilities of the **61XM2+** are also enhanced. Innovative dual processing circuits make all this and much more possible.



## PlasmaSync® 61XM2+ with Enhanced Split Screen

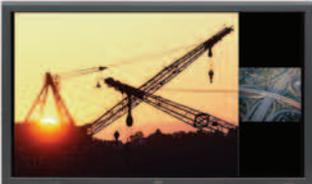
### side by side modes



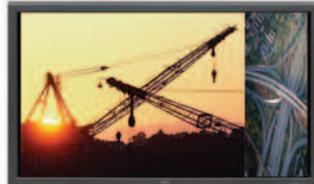
normal



full vertical



normal



full vertical

### picture in picture modes–

can be changed to accommodate four different sizes



sub picture content  
4:3 aspect ratio



sub picture content  
16:9 aspect ratio

### primary features

- > Side by side and picture in picture modes
- > Three aspect ratio modes are available in side by side mode
- > Picture in picture allows for the sub screen size to change
- > Picture in picture sub screens can be positioned in any corner
- > Both sources can be enlarged up to 3x's in side by side mode

### additional features

**sub picture detect**– If a signal is lost while viewing in picture in picture mode, the sub screen disappears. The sub screen reappears when the signal input returns.

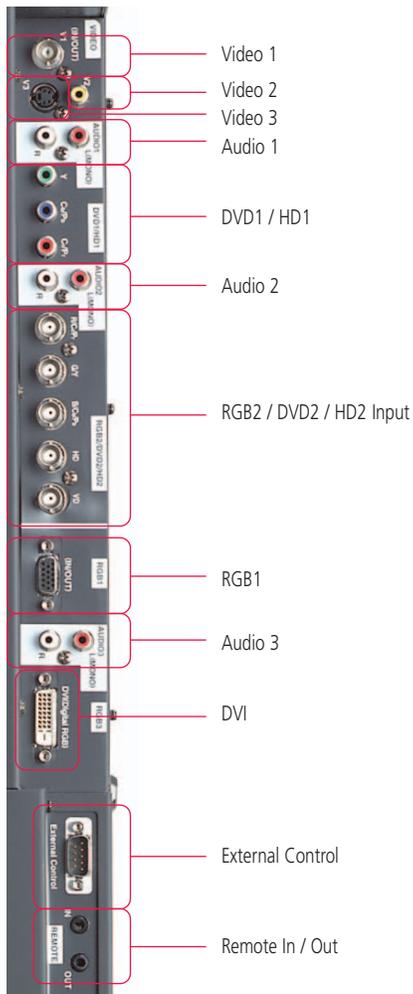
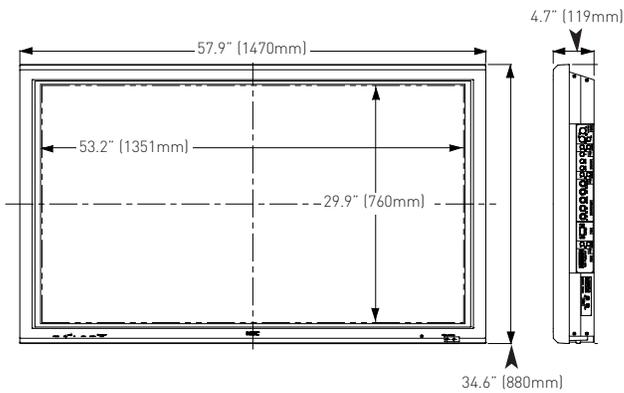
**zoom navigation**\*– While zoomed in on an image, the sub screen will show the original image with a pointer referencing the zoomed location. Zoom navigation can be displayed as either side by side or picture in picture mode.

**picture freeze**\*– A selected image can be displayed as a still image in side by side or picture in picture mode.

**seamless switch**– Quickly switch between two preset image sources. By pressing one button, the input is switched in 0.2 seconds.

\* available in RGB 1 or RGB 2 on single screen mode

# PlasmaSync 61XM2+



Video 1

Video 2

Video 3

Audio 1

DVD1 / HD1

Audio 2

RGB2 / DVD2 / HD2 Input

RGB1

Audio 3

DVI

External Control

Remote In / Out

## Specifications

Model Number	PX-61XM2PA	Diagonal Screen Size 61"
Screen Aspect Ratio	16 to 9	
Active Screen Area	53.2 in x 29.9 in, 1351 mm x 760 mm	
Native Pixel Resolution	1365 x 768	
Pixel Pitch	0.99mm x 0.99mm	
Capsulated Color Filter	Yes	
Accurimson	Yes	
Front Filter Type	AR - Anti reflection	
Color Processing	(4,096 steps) 68.7 billion colors	
Viewing Angle	160 degrees	
Horizontal Frequency Range	15.5 to 110.0 kHz auto, step scan	
Vertical Frequency Range	50 to 120 Hz auto, step scan	
PC Signal Compatibility	VGA 640x480 @ 60, 72, 75, 85, 100, 120 Hz SVGA 800x600 @ 56, 60, 72, 75, 85, 100, 120 Hz XGA 1024x768 @ 60, 70, 75, 85, 100 Hz SXGA 1280x1024 @ 60, 75, 85, 100 Hz UXGA 1600x1200 @ 60, 65, 70, 75, 85 Hz WideVGA 848x480, 852 x 480 @ 60 Hz WideXGA 1360 x 765 @ 60 Hz, 1280 x 768 @ 60Hz	
Macintosh Compatibility	640x480, 832x624, 1024x768, 1152x870	
Video Signal Compatibility	PAL, SECAM, 3.58/4.43 NTSC	
HD Video Signal Compatibility	480p 480i, 525p, 525i, 540p, 625p, 625i, 720p, 1035i, 1080i	
Input Terminals	RGB 1 (analog) 15-pin mini D-sub RGB 2 (analog) 5 BNC (RGB/HV) (common use with 5BNC Y/Pb/Pr input, selectable) RGB 3 (digital) 25-pin DVI (digital only) Video 1 Composite BNC x 1 Video 2 Composite RCA x 1 Video 3 S-Video 4-Pin DIN HD Video 1 1 set RCA Component (Y,Pb,Pr/Y,Cb,Cr) HD Video 2 1 set BNC Component (Y,Pb,Pr/Y,Cb,Cr) (common use with 5BNC Y/Pb/Pr input,selectable)	
Audio	Internal amplifier, 9W x 2 output power	
External Control	9-pin mini D-Sub, RS232	
User Controls	Direct Access Power on/off, input selection, volume up/down, OSM access Remote Control Power on/off, input select, volume, mute, wide, display, off-timer, OSM control, cursor, pointer, zoom, auto, select OSM Picture - Contrast, brightness, sharpness, color, tint, color temperature, white balance, picture mode, noise reduction, gamma, low tone and color tune Audio - bass, treble, balance and audio input Image Adjust - aspect ratio mode, vertical position, horizontal position, vertical height, horizontal width, fine picture, picture adjust, auto picture Option 1 OSM on/off, BNC Input, D-sub Input, RGB select, HD select, Input Skip, All Reset Option 2 Pwr. Management, Cinema Mode, Long Life Mode, Gray Level Option 3 Timer, Pwr. On mode, Control Lock, IR Remote, Loop Out, ID Number Video Wall Option 4 Advanced OSM, Language, Color System, Source Information Sub Picture Detect, Zoom Navigation, Picture Freeze, Seamless Switching	
Plug & Play	DDC1, DDC2B (RGB3 is DDC2B only)	
Power Requirements	120V 50/60 Hz	
Power Consumption	540W Typical, 6.7 Amp Maximum	
Standby Power	0.9W	
Dimensions (WxHxD)	1470 x 880 x 119 mm, 57.9 x 34.6 x 4.7 inches	
Weight	61.0 kg, 134.2 lbs. (without tabletop stand)	
Environmental Considerations	Operating Temperature 32 - 104 degrees F (0 - 40 degrees C) Operating Humidity 20 - 80% Operating Altitude 0 - 9180 feet (0 - 2800m) Storage Temperature 14 - 122 degrees F (-10 - 50 degrees C) Storage Humidity 10 - 90% Storage Altitude 0 to 9840 feet (0 - 3000m)	
Warranty	1 Year Parts & Labor Standard	
Regulatory	FCC Class A, UL1950, CSA950	
Included Accessories	AC Power Cord, User Manual, Remote Control, Batteries, Cable Clamps	
Optional Accessories	Tabletop Stand PX-61ST1U Attachable Speakers PX-61SP1U Fixed Wall Mount 61FWMK Tilt Wall Mount 61TWMK Ceiling Mount 61CMK Input Terminal Cover PX-CV1U	

For more information, call **(800) NEC-INFO** or visit [www.necvisualsystems.com](http://www.necvisualsystems.com)

NEC is a registered trademark of NEC Corporation. All other trademarks are the property of their respective owners. All specifications subject to change without notice.

NEC Solutions (America), Inc.  
Visual Systems Division  
1250 Arlington Heights Rd., Suite 400  
Itasca, IL 60143-1248

## Service and Support

The PlasmaSync series is supported by NEC's industry leading service and support programs. It comes with a standard 1-year manufacturer's warranty plus an extended warranty option that provides two additional years of coverage and is available from your authorized NEC Visual Systems Division dealer.