

PLASMASYNC® 42MP4

THE DIFFERENCE BETWEEN SIMPLY PRESENTING YOUR IDEAS—
AND MAKING THEM A **SENSORY EXPERIENCE**



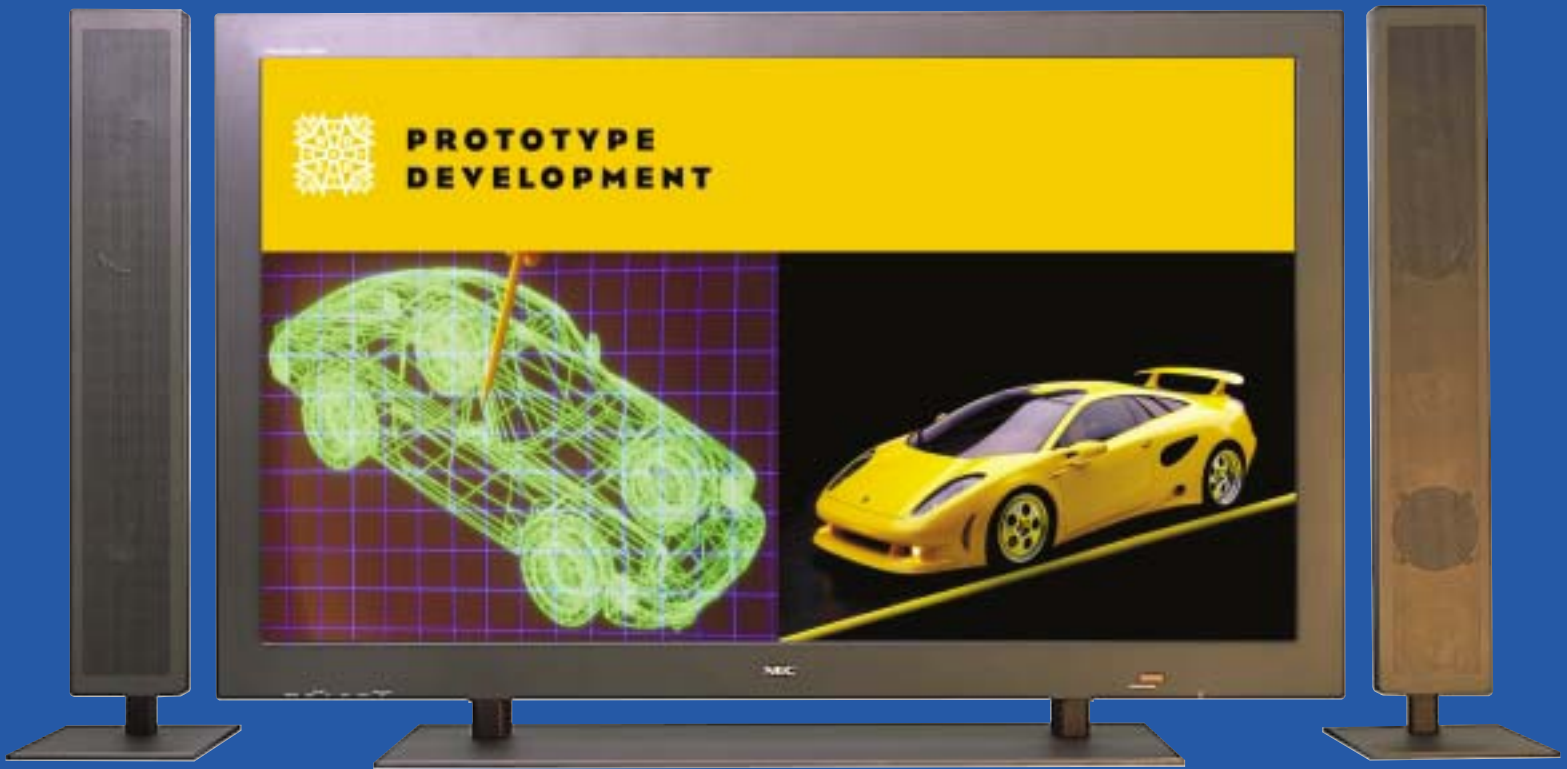
The **42MP4** with XGA Native Resolution.
The difference is in the detail.

Empowered by Innovation

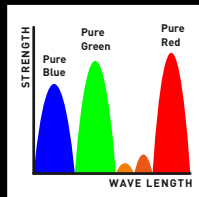
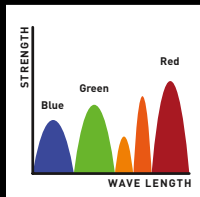
NEC

PLASMASYNC® 42MP4

NEC's PlasmaSync 42MP4 creates images so powerful and captivating that they bring your ideas to life. The 42MP4 takes the very best of NEC's MP Series design and adds XGA native resolution to create the consummate 42" multimedia plasma display. The 42MP4 is optimized for use in conference room presentation, boardroom AV presentation systems, videoconferencing and training facilities. Engineered to be the definitive multimedia presentation tool, the PlasmaSync 42MP4 provides superior image quality, realistic color reproduction, broad signal compatibility, flexible source connection and built in stereo-audio. Simply put, it can place your ideas center stage and keep your audience on the edge of their seats.



TYPICAL PLASMA IMAGE



NEC PLASMA IMAGE WITH CAPSULATED COLOR FILTER AND ACCUCRIMSON

(FIGURE 1)

NEC'S EXCLUSIVE CAPSULATED COLOR FILTER AND ACCUCRIMSON TECHNOLOGY PROVIDE RICH, VIBRANT COLORS WITH ENHANCED CONTRAST TO PRODUCE REALISTIC IMAGES

Superior Image Quality (FIGURE 1)

The 42MP4 adds XGA native resolution to NEC's outstanding image quality to give you the definitive tool for conveying ideas with power and clarity. The monitor's XGA resolution panel provides a sharp, crisp display of high-resolution text and graphics and its progressive scan driving method displays stable, flicker free images. Advanced AccuBlend scan conversion provides high quality scaling for non-native RGB signals and sophisticated video signal processing including motion-compensated 3D scan conversion and 3/2 pull down processing delivers smooth, true to life video. Realistic color reproduction is ensured with NEC's patented Capsulated Color Filter technology and further enhanced with AccuCrimson filter technology which produces the purest red color display possible in a plasma monitor.



Broad Signal and Source Compatibility

The 42MP4 lets you connect to and display signals from virtually any input source. It is compatible with standard computer graphics resolutions from VGA to UXGA as well as 848 x 480 and 1365 x 768 16:9 resolution standards. The monitor is also compatible with conventional video formats including composite, S-Video and component Y/Pb/Pr. It also supports all major HDTV standards including 480p, 1080i and 720p. This is complemented by a comprehensive input panel with connections for up to 8 different sources including a 29-pin DVI digital input connector and three assignable audio inputs.

Enhanced Presentation Effectiveness

With the 42MP4, NEC also includes features that help you deliver your message. Digital Zoom allows you to select any point on the screen and magnify it to emphasize a point or highlight information. Information can be enlarged up to 3 times in 64 smooth digital steps and you can pan through the entire screen at any selected magnification level. The 42MP4 is also remarkably quiet so you do not have to compete with fan noise to make yourself heard in a meeting.



WITH DIGITAL ZOOM YOU CAN SELECT A PORTION OF THE SCREEN IMAGE AND ENLARGE IT UP TO 3 TIMES WITH THE TOUCH OF A BUTTON.

Built-in Stereo Audio

NEC has included an internal 7-Watt stereo amplifier and optional external speakers that attach to the sides of the monitor to provide a seamlessly integrated audio solution. Assignable audio inputs and external speaker connections round out the audio capabilities.

AccuShield Phosphor™ Protection System

NEC's AccuShield Phosphor Protection System provides the most comprehensive set of countermeasures available to minimize the effects of phosphor burn. The AccuShield System can help prevent phosphor burn and minimizes its perceptible effects if it does occur. In addition to Inverse RGB, Pixel Orbiter, All White Screen and Brightness Limiter modes, Programmable Pixel Refreshment has been added. This mode deploys a scrolling white bar that activates pixels without obscuring image content to help reduce the possibility of phosphor burn.

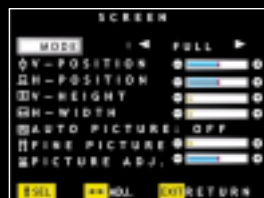
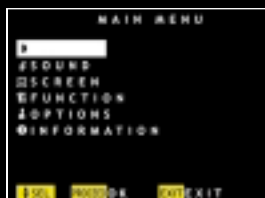


INVERSE MODE INVERTS RED, GREEN AND BLUE COLOR VALUES FOR EVEN WEAR ON PHOSPHOR AND TO REMOVE THE PERCEPTIBLE EFFECTS OF IMAGE RETENTION.

XGA native resolution provides superb clarity for text and detailed graphics.

Comprehensive Control Options (FIGURE 2)

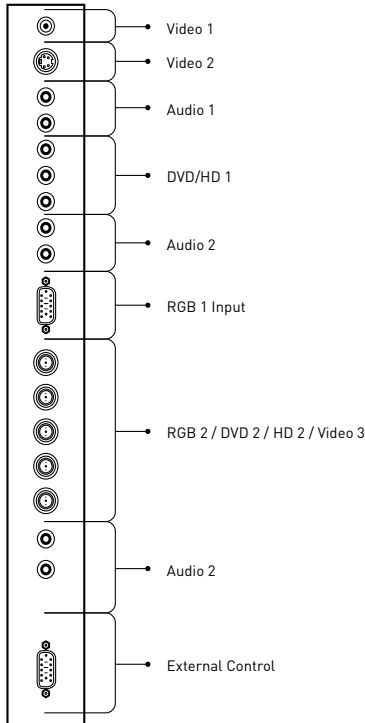
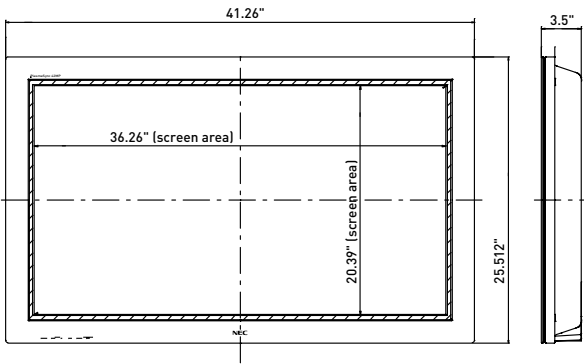
A wired/wireless handheld remote control and convenient front bezel controls provide access to all monitor functions via an intuitive, easy to navigate on-screen menu system. Plus, complete RS232 external control is available for every monitor function. The RS232 system provides two-way communication to verify the execution of commands.



(FIGURE 2)

USER-FRIENDLY MENUS WITH CLEAR GRAPHICS, SIMPLE NAVIGATION AND UNDERSTANDABLE TERMINOLOGY MAKE THE 42MP4 INCREDIBLY EASY TO OPERATE





*29-PIN DVI CONNECTOR NOT SHOWN IN ILLUSTRATION ABOVE.

Service and Support

The PlasmaSync 42MP4 is supported by NEC's industry leading service and support programs. It comes with a standard 1-year manufacturer's warranty plus an extended warranty option that provides two additional years of coverage and is available from an authorized NEC Visual Systems channel partner.

For more information, call (800) NEC-INFO or visit www.necvisualsystems.com

NEC is a registered trademark of NEC Corporation. All other trademarks are the property of their respective owners. All specifications subject to changes without notice.

NEC Solutions (America), Inc.
 Visual Systems Division
 1250 North Arlington Heights Road, Suite 500
 Itasca, Illinois 60143-1248
www.necvisualsystems.com

Specifications

Model Number	PX-42XM1A
Diagonal Screen Size	42"
Screen Aspect Ratio	16 to 9
Active Screen Area	921mm x 518 mm
Native Pixel Resolution	1024 vertical dots x 768 horizontal rows
Pixel Pitch	0.897mm width x 0.657mm height
Capsulated Color Filter	Yes
Output color	256 RGB levels, 16.7 million colors
Viewing Angle	160 degrees
Horizontal Frequency Range	15.5 to 93.8 kHz auto, step scan
Vertical Frequency Range	50 to 120 Hz auto, step scan*
PC Signal Compatibility	VGA 640 x 480 @ 60,72,75,85,100, 120 Hz SVGA 800 x 600 @ 56, 60, 72,75,85,100,120 Hz XGA 1024 x 768 @ 60,70,75, 85, 100 Hz SXGA 1280 x 1024 @ 60, 75, 85 Hz UXGA 1600 x 1200 @ 60, 70, 75 Hz WideVGA 848 x 480, 852 x 480 @ 60Hz WideXGA 1360 x 765 @60Hz

Macintosh Compatibility	640 x 480, 832 x 624, 1024 x 768, 1152 x 870
Video Signal Compatibility	3.58 / 4.43 NTSC, PAL, SECAM
HD Video Signal Compatibility	480p 480i, 525p, 525i, 540p, 625p, 625i, 720p,1035i, 1080i

Input Terminals	RGB 1 (analog)	15-pin mini D-sub
	RGB 2 (analog)	5 BNC (RGB/HV) (common use with 5BNC Y/Pb/Pr input, selectable)
	RGB 3 (digital)	29-pin DVI (digital only)
	Video 1	Composite RCA x 1
	Video 2	S-Video 4-Pin DIN
	Video 3	Composite BNC x 1 (common use with 5BNC G input, selectable)
	HD Video 1	1 set RCA Component (Y,Pb,Pr/Y,Cb,Cr)
	HD Video 2	1 set BNC Component (Y,Pb,Pr/Y,Cb,Cr) (common use with 5BNC Y/Pb/Pr input, selectable)
	Audio	3 sets RCA stereo + external speaker jacks
	Audio	Internal amplifier, 7W x 2 output power
	External Control	9-pin mini D-Sub, RS232

User Controls	Direct Access	Power on/off, input selection, OSM access, (Control Lock Switch located on input panel)
	Remote Control	Power on/off, input select, volume, mute, wide, display, off-timer, OSM control, cursor, pointer, zoom, auto, select
	OSM	Contrast, brightness, sharpness, color, tint, color temperature, white balance, picture mode, noise reduction, bass, treble, balance, vertical position, horizontal position, vertical height, horizontal width, fine picture, picture adjust, auto picture, power management, RGB select, BNC select, HD select, audio input, OSM adjustment, gray level, PLE, reset, frequency, language, color system

Plug & Play	DDC1, DDC2B (RGB3 is DDC2B only)	
Power Requirements	120V 50/60 Hz	
Power Consumption	380 W Typical, 5.0 Amp Maximum	
Dimensions (WxHxD) – without base	1048 x 648 x 89mm, 41.3 x 25.5 x 3.5 inches	
Weight	29.5 kg, 65.0 lbs. (without tabletop stand)	
Environmental Considerations	Operating Temperature	32 - 104 degrees F
	Operating Humidity	20 - 80%
	Operating Altitude	0 - 9180 feet
	Storage Temperature	14 - 122 degrees F
	Storage Humidity	10 - 90%
Storage Altitude	0 to 9840 feet	

Warranty	1 Year Parts & Labor Standard	
Regulatory	FCC Class A, UL1950, CSA950	
Included Accessories	AC Power Cord, User Manual, Remote Control, Remote Control Cable, 15-pin RGB Cable, Batteries	
Optional Accessories	Tabletop Stand	PX-42VM1U-ST
	Attachable Speakers	PX-42VM1U-S1
	Fixed Wall Mount	FWMK
	Tilt Wall Mount	TWMK
	Ceiling Mount	CMK

(SPECIFICATIONS SUBJECT TO CHANGE WITHOUT NOTICE.)