

Contents

		Page
1	Model Name	4
2	Applicable Monitor	4
3	Regulations	4
4	Speaker Spec	4
4-1	System	
4-2	Impedance	
4-3	Rated Input	
4-4	Maximum Input	
4-5	Sound Pressure Level	
4-6	Rated Frequency Range	
4-7	Crossover Frequency	
4-8	Dimensions	
4-9	Net Weight	
4-10	Material and Color	
4-11	Packing	
5	Environmental Condition	4
6	Serial Number Label	5
7	Accessory Table	5
8	Country of manufacture	5
9	Environmental Regulation	5
10	Characteristics	6
10-1	Sound Pressure Typical Characteristics	
10-2	Impedance Typical Characteristics	
11	Outline Drawing	7
12	Labels	7
13	Package Specifications	8
14	Carton Box Artwork	8
15	Holder	9

Contents

1 Model Name

SP-P60C1

2 Applicable Monitor

P60XC10

3 Regulations

UL60065 7th:2003 , CAN/CSA-C22.2 No.60065:03

IEC60065:2001, EN60065:2002

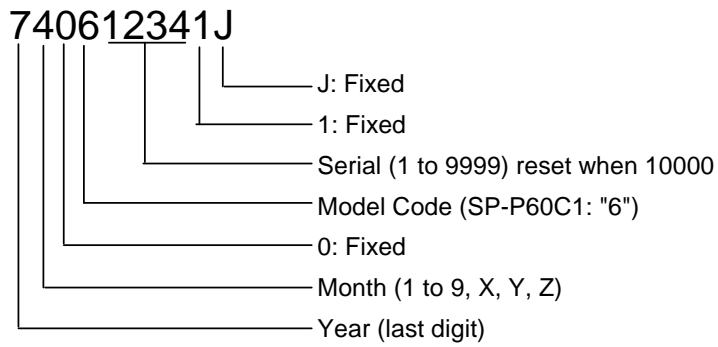
4 Speaker Spec

4-1	System	Bass Reflex
4-2	Impedance	
	Rated Impedance	8 ohms
	Minimum Impedance	6.9 ohms (at 20 to 20000 Hz)
4-3	Rated Input	15W
4-4	Maximum Input	40W
4-5	Sound Pressure Level	82dB (1m, 1W)
4-6	Rated Frequency Range	85Hz to 35000Hz
4-7	Crossover Frequency	6000Hz
4-8	Dimensions (W x H x D, each)	80mm x 875.8mm x 59mm / 3.27" x 34.48" x 2.32" (except Holder)
4-9	Net Weight (each)	2.1 kg / 4.63 lbs
4-10	Material and Color	
	Baffle	PC+ABS, Matte Real Black paint (SB050) (PANETONE Hexachrome Black C)
	Rear Cabinet	PC+ABS, Matte Real Black paint (SB050) (PANETONE Hexachrome Black C)
	Rear Cover	PC+ABS, Matte Real Black paint (SB050) (PANETONE Hexachrome Black C)
	Punching Net	PBT sheet, Matte Real Black paint (SB050) (PANETONE Hexachrome Black C)
	Holder	Steel, Black paint
	Ornament	Aluminum(extrusion), Anodizing Silver
4-11	Packing	
	Dimensions (W x H x D)	260mm x 950mm x 203mm / 10.24" x 37.40" x 7.99"
	Gross Weight	6.2 kg / 13.67 lbs
	Maximum Stacking	10 Layers

5 Environmental Condition

Operation	0 to 40 / 32F to 104F, 20%RH to 80%RH
Storage	-10 to 50 / 14F to 122F, 10%RH to 90%RH

6 Serial Number Label



7 Accessory

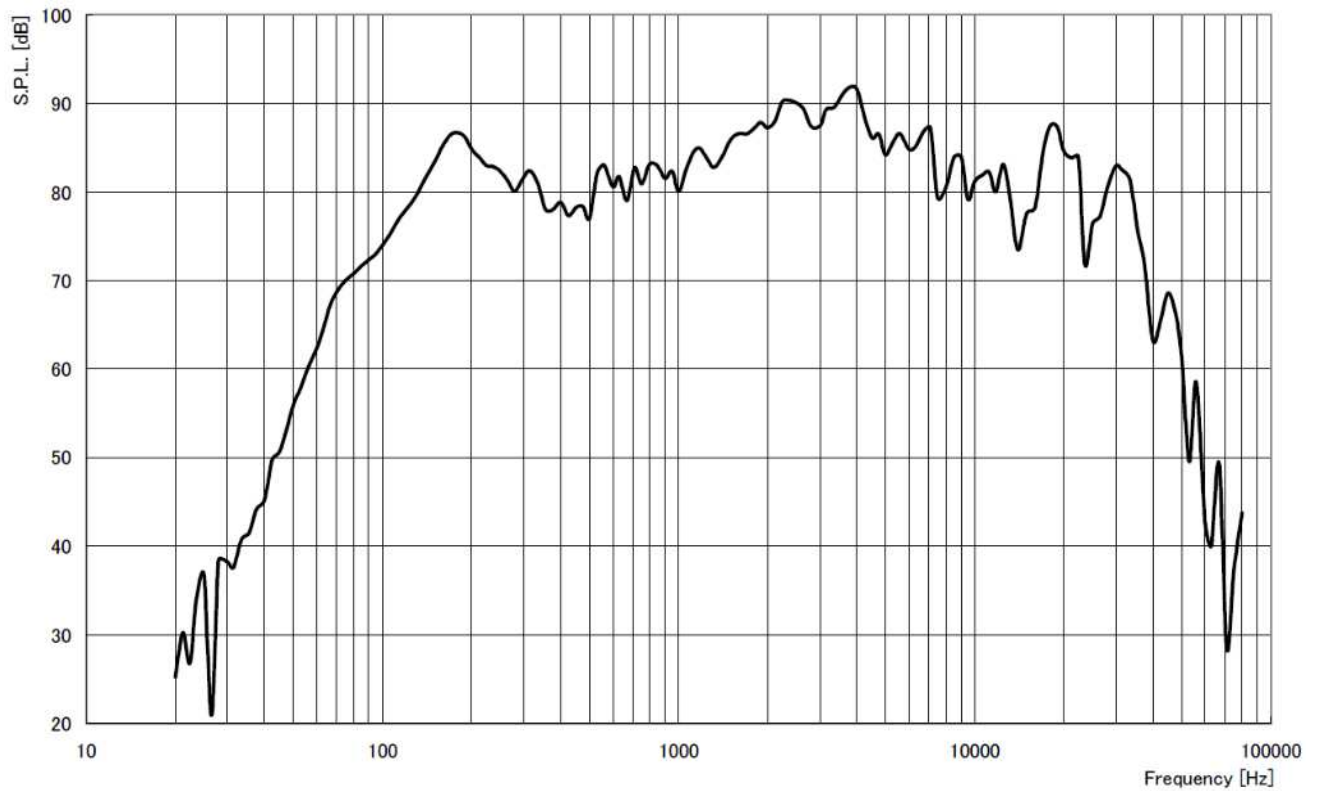
User's Manual	1 pc
Screws	16 pcs.
Speaker Codes (L1500mm)	2 pcs.
Code Clamper	2 pcs.
Cushion	2 pcs.

8 Country of manufacture China

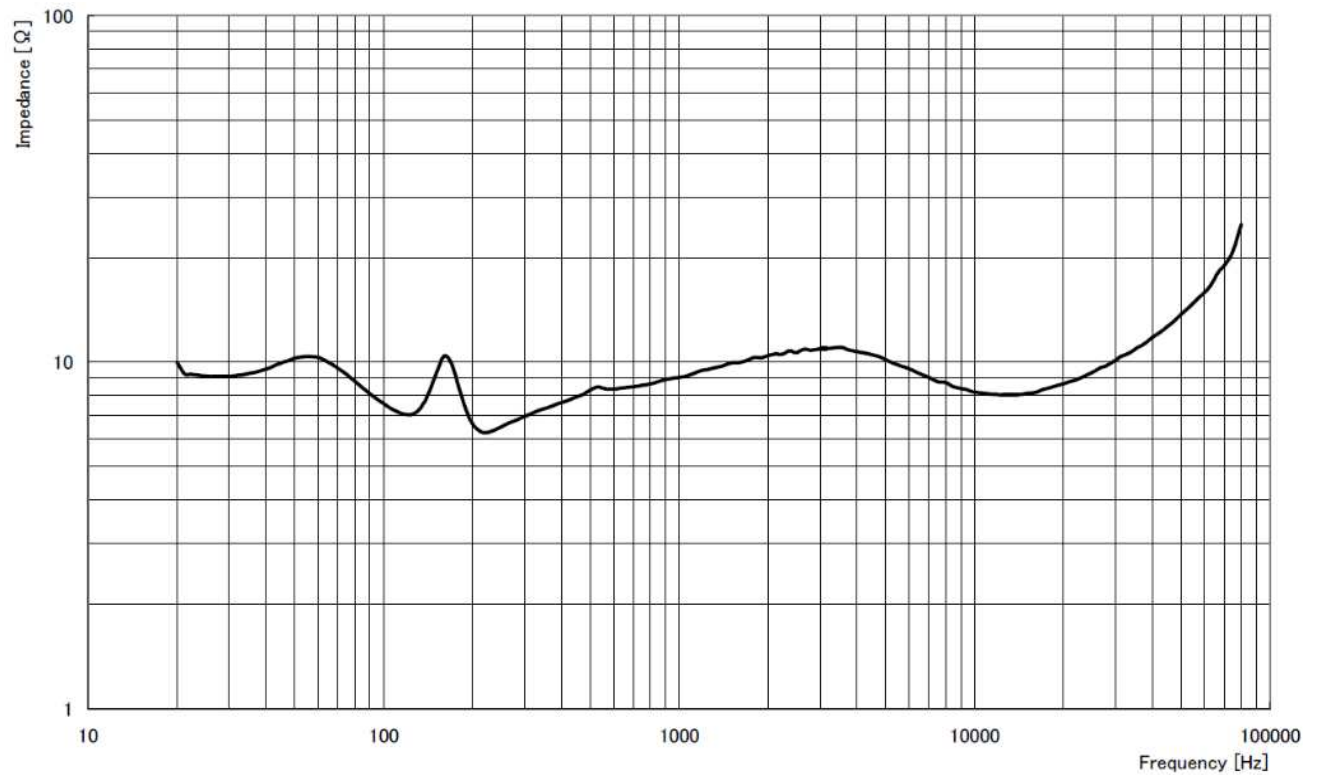
9 Environmental Regulation RoHS

10 Characteristics

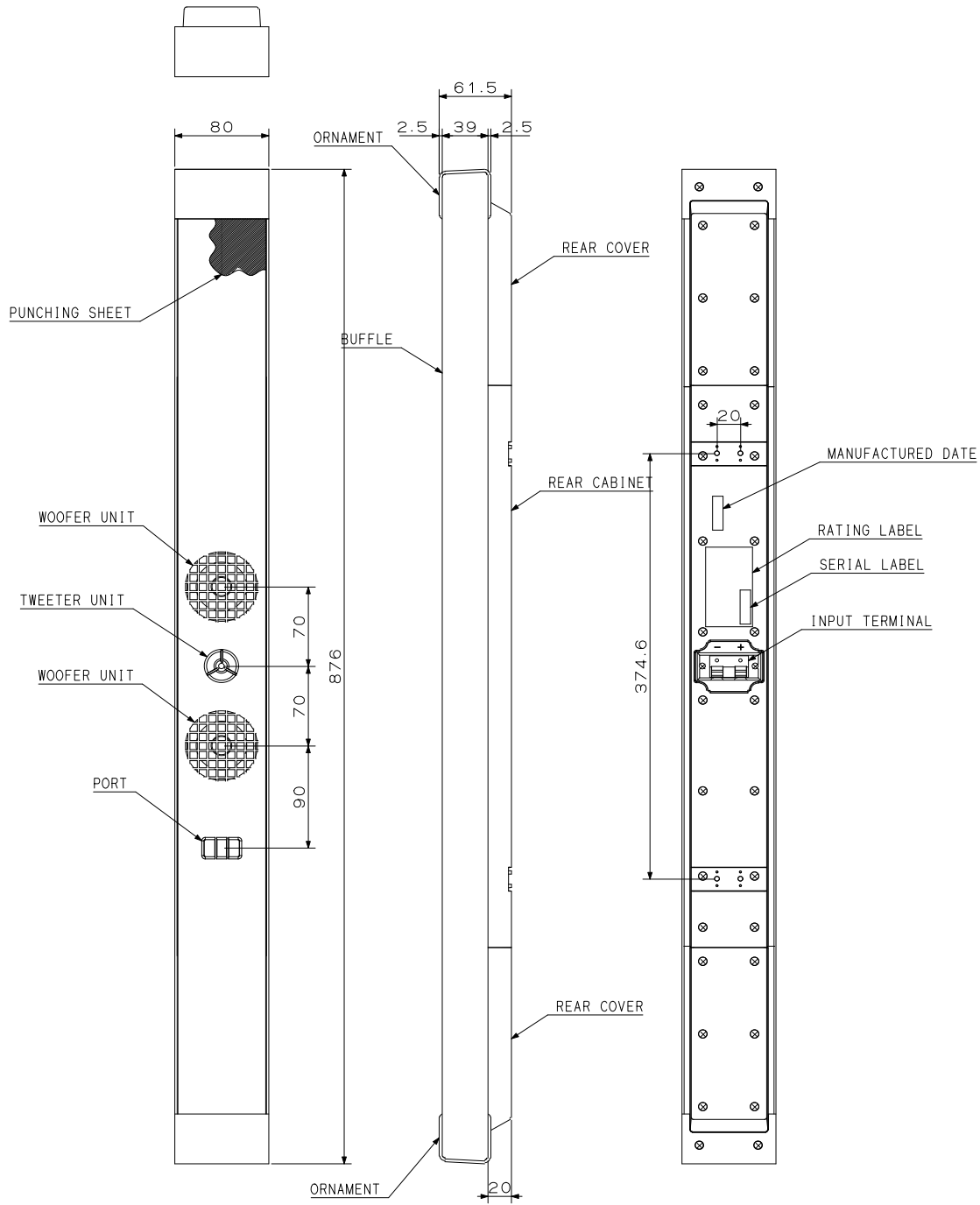
10-1 Sound Pressure Typical Characteristics



10-2 Impedance Typical Characteristics



11 Outline Drawing (unit : mm)



12 Rating Label



Serial No.
N° de Série

15W, 8 Ohm(Ω)

SP-P60C1

ATTENTION : Do not lift monitor by holding speakers.

CAUTION : Monitor may detach causing injury or damage.

ATTENTION : Ne soulevez pas le miniteur en tenant des haut-parleurs.

AVERTISSEMENT: Le moniteur détacher endommager des dommages ou.

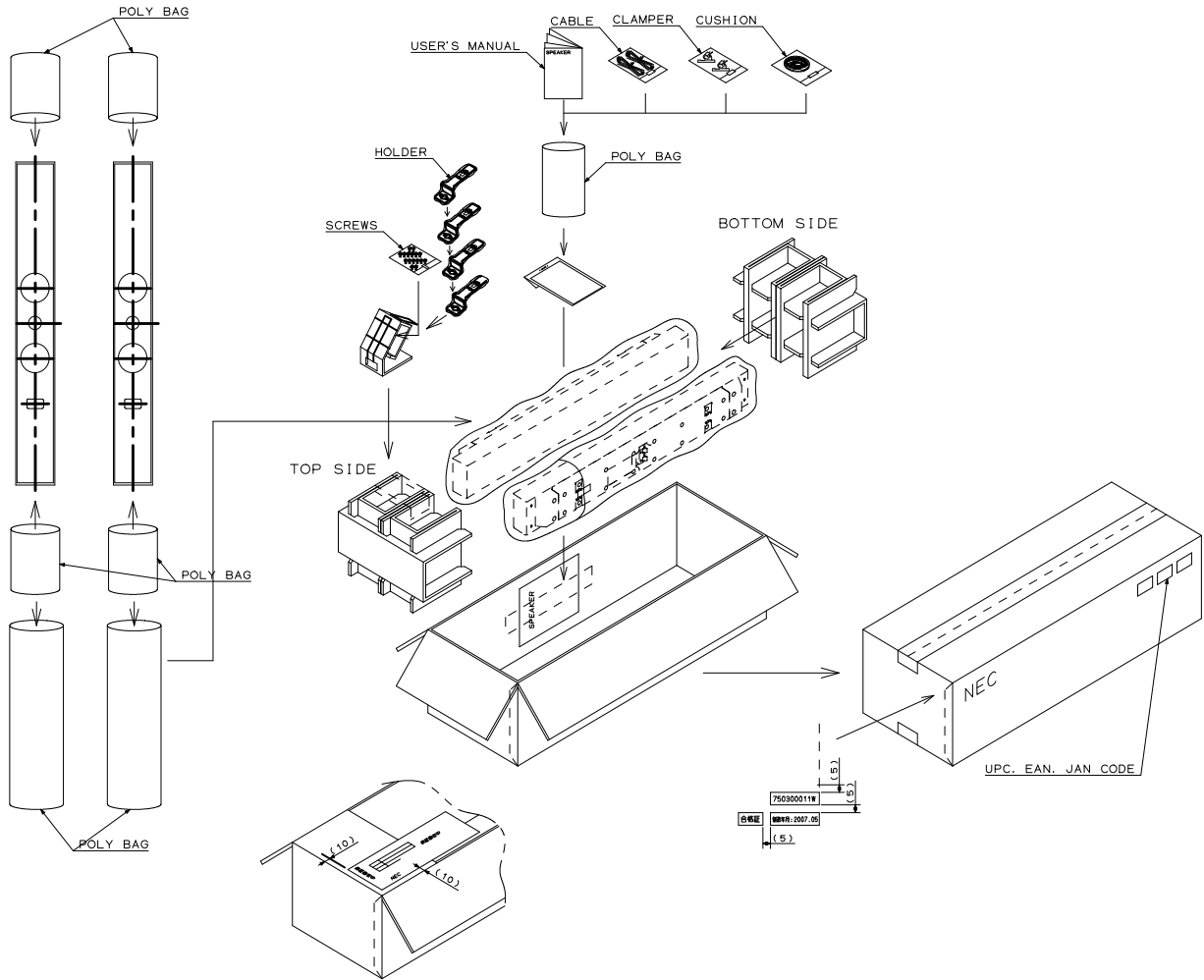
警告 スピーカーを持ってディスプレイを移動しないでください。ディスプレイが落下してけがの原因になります。








NEC Display Solutions, Ltd.
4-13-23 Shibaura, Minato-ku, Tokyo, 108-0023, Japan

MADE IN CHINA
FABRIQUÉ EN CHINE

13 Packing Specifications



14 Carton Box Artwork

<p>NEC SP-P60C1 SPEAKERS HAUT-PARLEUR ALTAVOZ スピーカー 揚声器</p>  <p>HANDLE WITH CARE HANDLEZ AVEC SOIN MANEJE CON CUIDADO 取扱注意 小心取扱</p>									
<p>NEC SP-P60C1 SPEAKERS HAUT-PARLEUR ALTAVOZ スピーカー 揚声器</p> 	<p>NEC SP-P60C1 SPEAKERS HAUT-PARLEUR ALTAVOZ スピーカー 揚声器</p>  <table border="1"> <tr> <td>NET WEIGHT (G)</td> <td>420g</td> </tr> <tr> <td>GROSS WEIGHT (G)</td> <td>610g</td> </tr> <tr> <td>ORIGIN (COUNTRY)</td> <td>CHINA</td> </tr> <tr> <td>DATE OF MANUFACTURE</td> <td>2014.01.01</td> </tr> </table> <p>MADE IN CHINA, TAIWAN</p>	NET WEIGHT (G)	420g	GROSS WEIGHT (G)	610g	ORIGIN (COUNTRY)	CHINA	DATE OF MANUFACTURE	2014.01.01
NET WEIGHT (G)	420g								
GROSS WEIGHT (G)	610g								
ORIGIN (COUNTRY)	CHINA								
DATE OF MANUFACTURE	2014.01.01								
<p>FRAGILE NEVER DROP NE PAS LAISSER TOMBER NO LA DEJE CAER NUNCA 衝撃敏感 不可跌落</p>									
<p>NEC SP-P60C1 SPEAKERS HAUT-PARLEUR ALTAVOZ スピーカー 揚声器</p>	<p>NEC SP-P60C1 SPEAKERS HAUT-PARLEUR ALTAVOZ スピーカー 揚声器</p>  <table border="1"> <tr> <td>NET WEIGHT (G)</td> <td>420g</td> </tr> <tr> <td>GROSS WEIGHT (G)</td> <td>610g</td> </tr> <tr> <td>ORIGIN (COUNTRY)</td> <td>CHINA</td> </tr> <tr> <td>DATE OF MANUFACTURE</td> <td>2014.01.01</td> </tr> </table> <p>MADE IN CHINA, TAIWAN</p>	NET WEIGHT (G)	420g	GROSS WEIGHT (G)	610g	ORIGIN (COUNTRY)	CHINA	DATE OF MANUFACTURE	2014.01.01
NET WEIGHT (G)	420g								
GROSS WEIGHT (G)	610g								
ORIGIN (COUNTRY)	CHINA								
DATE OF MANUFACTURE	2014.01.01								

15 Holder (unit: mm)

- 注記
 1. 板曲げRは内側でR 1以内のこと。
 2. パリ取りのこと。
 3. 各寸法は塗装後の寸法のこと。

