

Contents

		Page
1	Model Name	4
2	Applicable Monitor	4
3	Regulations	4
4	Speaker Spec	4
4-1	System	
4-2	Impedance	
4-3	Rated Input	
4-4	Maximum Input	
4-5	Sound Pressure Level	
4-6	Rated Frequency Range	
4-7	Crossover Frequency	
4-8	Dimensions	
4-9	Net Weight	
4-10	Material and Color	
4-11	Packing	
5	Environmental Condition	4
6	Serial Number Label	5
7	Accessory Table	5
8	Country of manufacture	5
9	Environmental Regulation	5
10	Characteristics	6
10-1	Sound Pressure Typical Characteristics	
10-2	Impedance Typical Characteristics	
11	Outline Drawing	7
12	Labels	7
13	Package Specifications	8
14	Carton Box Artwork	8
15	Holder	9

Contents

1 Model Name

SP-P50C1

2 Applicable Monitor

P50XC10

3 Regulations

UL60065 7th:2003 , CAN/CSA-C22.2 No.60065:03

IEC60065:2001, EN60065:2002

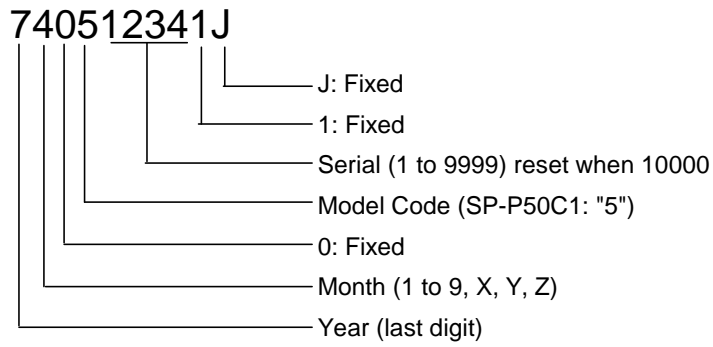
4 Speaker Spec

4-1	System	Bass Reflex
4-2	Impedance	
	Rated Impedance	8 ohms
	Minimum Impedance	6.9 ohms (at 20 to 20000 Hz)
4-3	Rated Input	15W
4-4	Maximum Input	40W
4-5	Sound Pressure Level	82dB (1m, 1W)
4-6	Rated Frequency Range	85Hz to 35000Hz
4-7	Crossover Frequency	6000Hz
4-8	Dimensions (W x H x D, each)	80mm x 747.8mm x 59mm / 3.27" x 29.44" x 2.32" (except Holder)
4-9	Net Weight (each)	2.0 kg / 4.41 lbs
4-10	Material and Color	
	Baffle	PC+ABS, Matte Real Black paint (SB050) (PANETONE Hexachrome Black C)
	Rear Cabinet	PC+ABS, Matte Real Black paint (SB050) (PANETONE Hexachrome Black C)
	Rear Cover	PC+ABS, Matte Real Black paint (SB050) (PANETONE Hexachrome Black C)
	Punching Net	PBT sheet, Matte Real Black paint (SB050) (PANETONE Hexachrome Black C)
	Holder	Steel, Black paint
	Ornament	Aluminum(extrusion), Anodizing Silver
4-11	Packing	
	Dimensions (W x H x D)	260mm x 820mm x 203mm / 10.24" x 32.28" x 7.99"
	Gross Weight	5.8 kg / 12.79 lbs
	Maximum Stacking	10 Layers

5 Environmental Condition

Operation	0 to 40 / 32F to 104F, 20%RH to 80%RH
Storage	-10 to 50 / 14F to 122F, 10%RH to 90%RH

6 Serial Number Label



7 Accessory

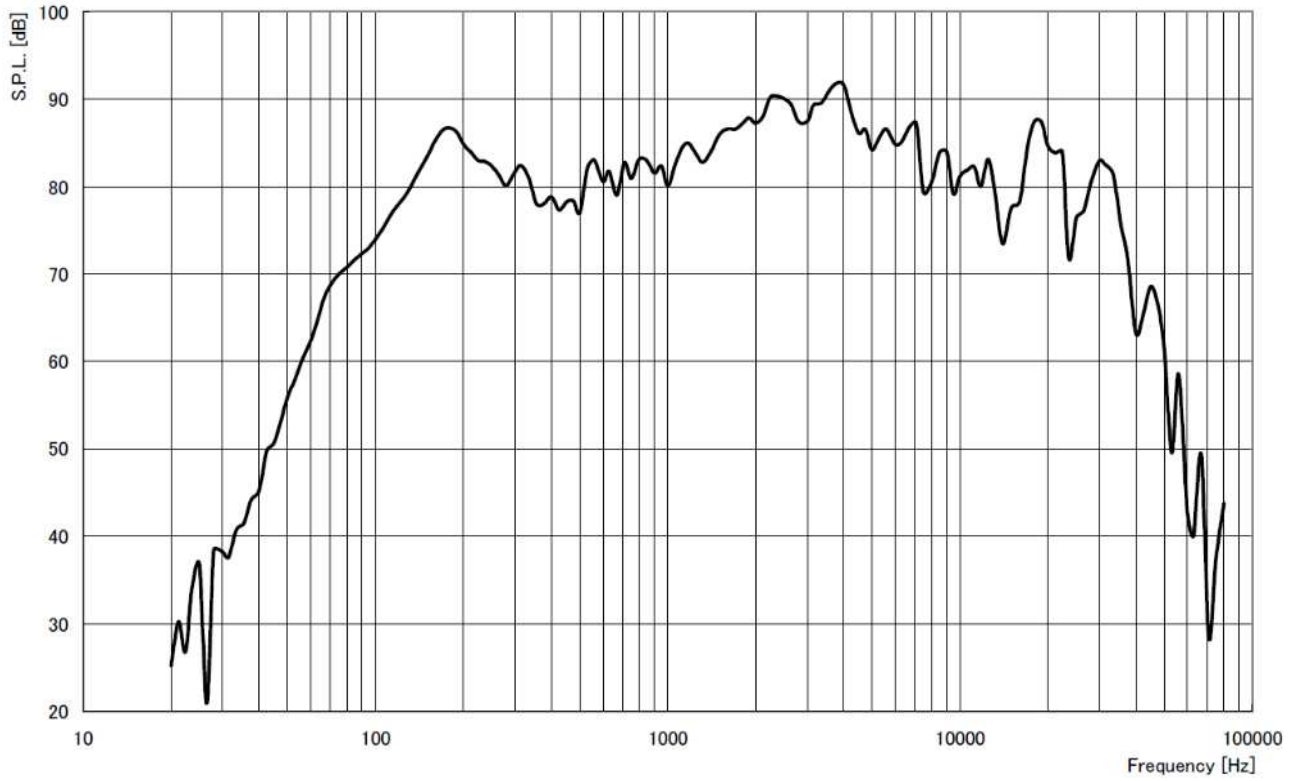
User's Manual	1 pc
Screws	16 pcs.
Speaker Codes (L1500mm)	2 pcs.
Code Clamper	2 pcs.
Cushion	2 pcs.

8 Country of manufacture China

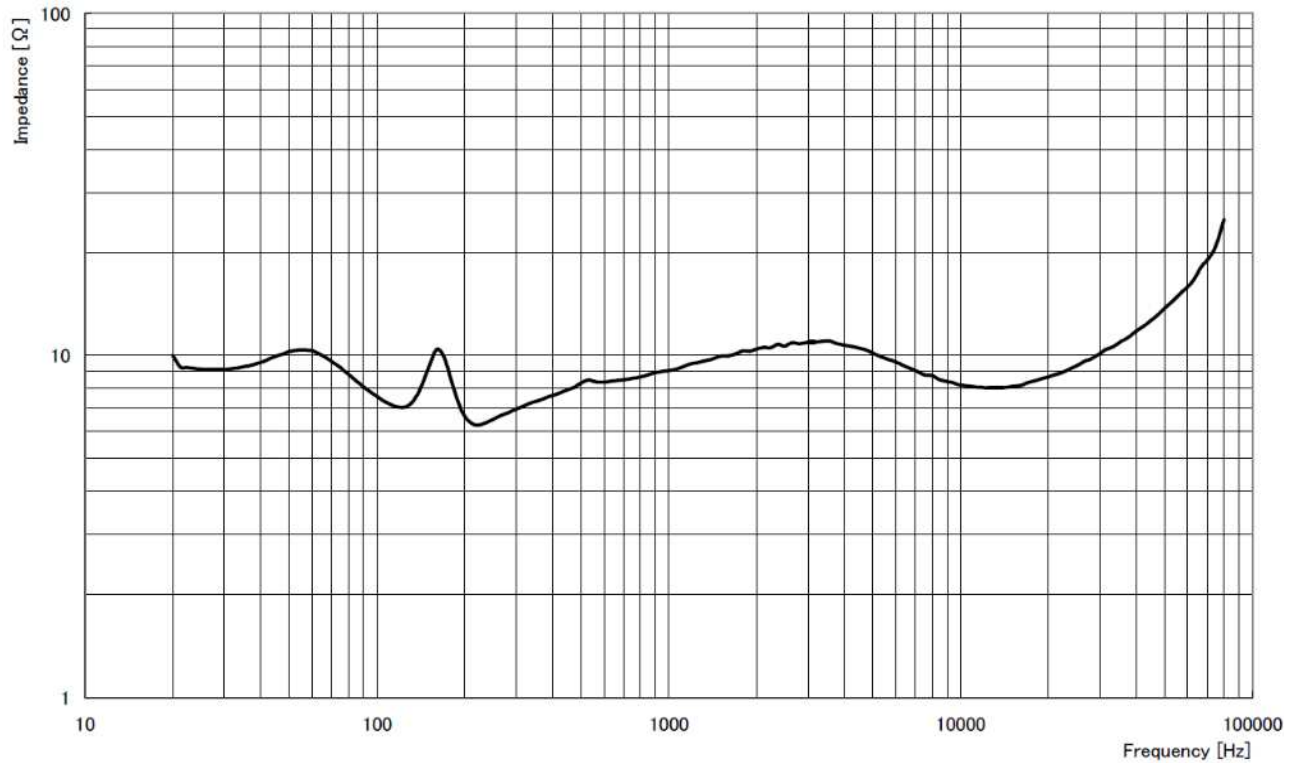
9 Environmental Regulation RoHS

10 Characteristics

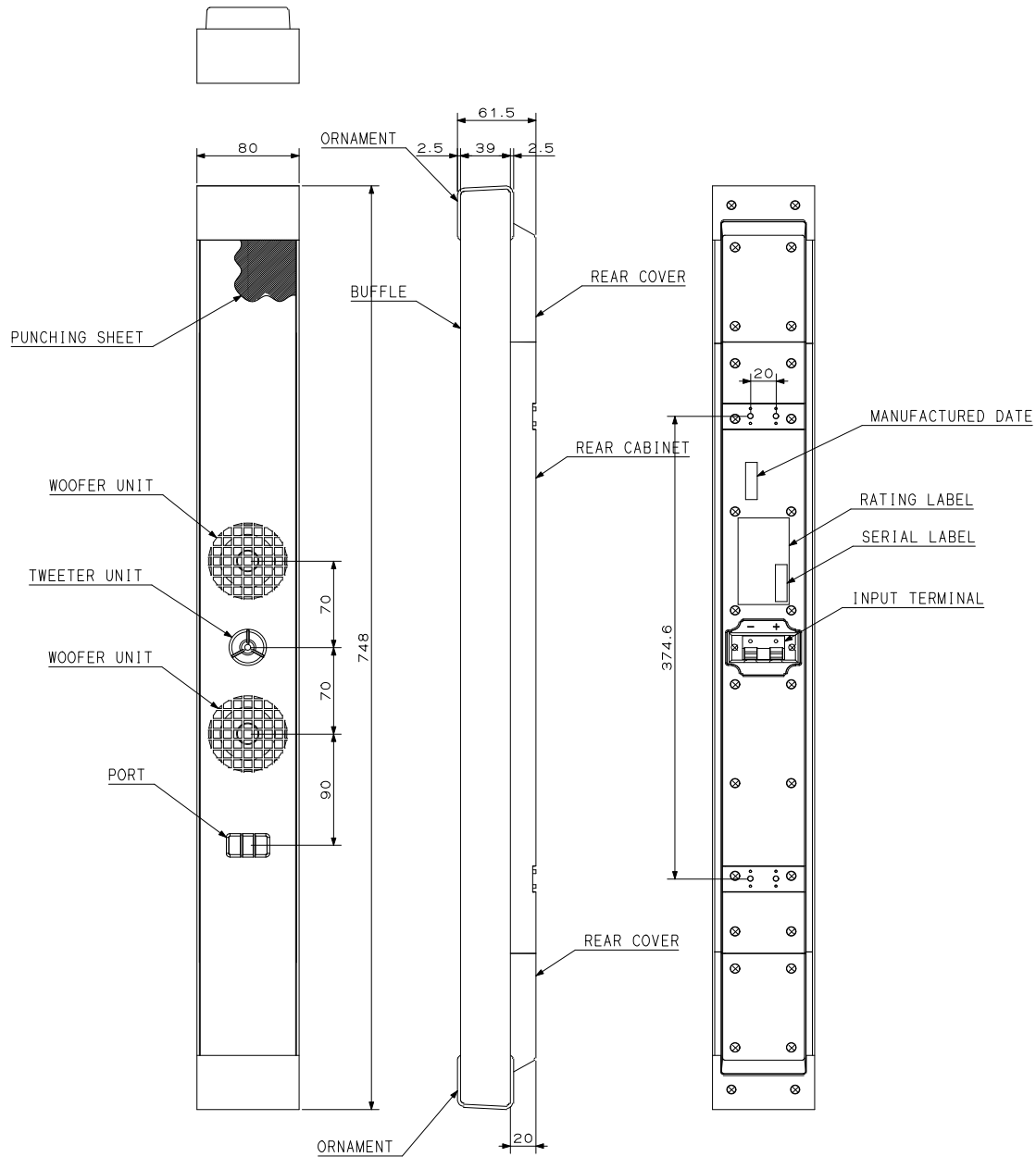
10-1 Sound Pressure Typical Characteristics



10-2 Impedance Typical Characteristics



11 Outline Drawing (unit : mm)



12 Rating Label



Serial No.
N° de Série

15W, 8 Ohm(Ω)

SP-P50C1

ATTENTION : Do not lift monitor by holding speakers.

CAUTION : Monitor may detach causing injury or damage.

ATTENTION : Ne soulevez pas le miniteur en tenant des haut-parleurs.

AVERTISSEMENT: Le moniteur détacher endommager des dommages ou.



警告

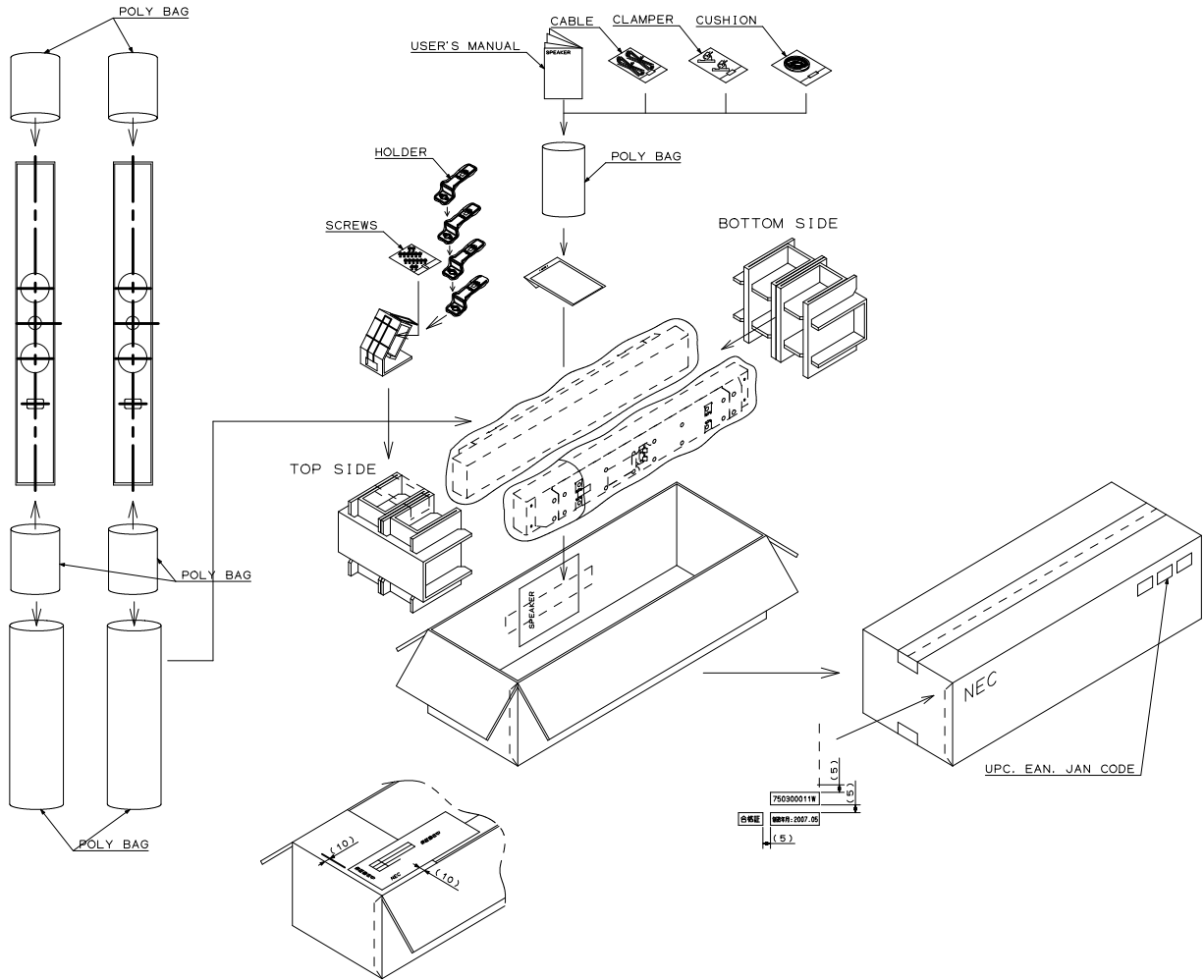
スピーカーを持ってディスプレイを移動しないでください。
ディスプレイが落下してけがの原因になります。




NEC Display Solutions, Ltd.
4-13-23 Shibaura, Minato-ku, Tokyo, 108-0023, Japan

MADE IN CHINA
FABRIQUÉ EN CHINE

13 Packing Specifications



14 Carton Box Artwork

NEC
SP-P50C1
SPEAKERS
HAUT-PARLEUR
ALTAVOZ
スピーカー
扬声器

NEC
SP-P50C1
SPEAKERS
HAUT-PARLEUR
ALTAVOZ
スピーカー
扬声器



HANDLE WITH CARE
MANEJE AVEC SOIN
MANEJE CON CUIDADO
取扱注意
小心轻放

US EU

NEC
SP-P50C1
SPEAKERS
HAUT-PARLEUR
ALTAVOZ
スピーカー
扬声器

NET WEIGHT (NET WT) / 淨重	4.0 kg / 8.8 lbs
GROSS WEIGHT (GROSS WT) / 毛重	6.2 kg / 13.7 lbs
DIMENSIONS (DIM) / 尺寸	83 mm (H) × 281 mm (D) × 253 mm (W) 3.3 in (H) × 11.1 in (D) × 10 in (W)

FRONT / 正面: MADE IN CHINA / 中国製

FRAGILE
NEVER DROP
NE PAS LAISSER TOMBER
不可跌落
衝擊嚴禁

NEC
SP-P50C1
SPEAKERS
HAUT-PARLEUR
ALTAVOZ
スピーカー
扬声器

NEC
SP-P50C1
SPEAKERS
HAUT-PARLEUR
ALTAVOZ
スピーカー
扬声器

PESO NETO / PESO	4,0 kg / 8,8 libras
PESO BRUTO / PESO BRUTO	6,2 kg / 13,7 libras
DIMENSIONES / MEDIDAS	83 mm (H) × 281 mm (D) × 253 mm (W) 3,3 pul (H) × 11,1 pul (D) × 10 pul (W) 3,3 pul (H) × 11,1 pul (D) × 10 pul (W)

FRONT / 正面: FABRICADO EN CHINA / HECHO EN CHINA

15 Holder (unit: mm)

- 注記
1. 板曲半径は内側でR 1以内のこと。
 2. ハリ取りのこと。
 3. 各寸法は塗装後の寸法のこと。

