

**Contents**

	<b>Page</b>
1 <b>Model Name</b>	4
2 <b>Applicable Monitor</b>	4
3 <b>Regulations</b>	4
4 <b>Speaker Spec</b>	4
4-1        System	
4-2        Impedance	
4-3        Rated Input	
4-4        Maximum Input	
4-5        Sound Pressure Level	
4-6        Rated Frequency Range	
4-7        Crossover Frequency	
4-8        Dimensions	
4-9        Net Weight	
4-10        Material and Color	
4-11        Packing	
5 <b>Environmental Condition</b>	4
6 <b>Serial Number Label</b>	5
7 <b>Accessory Table</b>	5
8 <b>Country of manufacture</b>	5
9 <b>Environmental Regulation</b>	5
10 <b>Characteristics</b>	6
10-1        Sound Pressure Typical Characteristics	
10-2        Impedance Typical Characteristics	
11 <b>Outline Drawing</b>	7
12 <b>Labels</b>	7
13 <b>Package Specifications</b>	8
14 <b>Carton Box Artwork</b>	8
15 <b>Holder</b>	9

**Contents**

**1 Model Name**

SP-P42P1

**2 Applicable Monitor**

P42XP10, P50XP10, P60XP10, P42XC10, P50XC10, P60XP10

**3 Regulations**

UL60950-1:2003, CAN/CSA-C22.2 No.60950-1-03

IEC60950-1:2001, EN60950-1:2001 + A11

UL60065 7th:2003 , CAN/CSA-C22.2 No.60065:03

IEC60065:2001, EN60065:2002

PSE (Denanho)

**4 Speaker Spec**

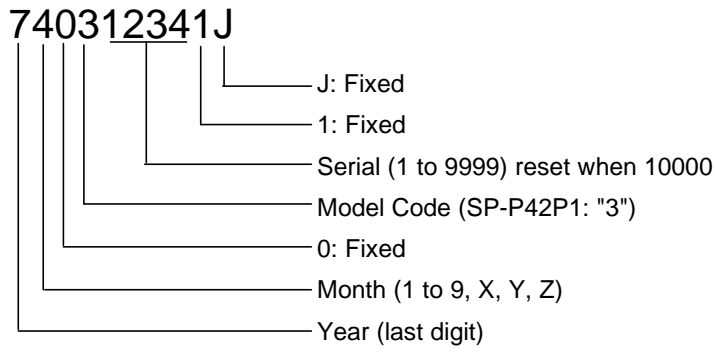
4-1	System	Bass Reflex
4-2	Impedance	
	Rated Impedance	8 ohms
	Minimum Impedance	6.9 ohms (at 20 to 20000 Hz)
4-3	Rated Input	15W
4-4	Maximum Input	40W
4-5	Sound Pressure Level	82dB (1m, 1W)
4-6	Rated Frequency Range	85Hz to 35000Hz
4-7	Crossover Frequency	6000Hz
4-8	Dimensions (W x H x D, each)	80mm x 644mm x 59mm / 3.27" x 25.35" x 2.32" (except Holder)
4-9	Net Weight (each)	1.8 kg / 3.97 lbs
4-10	Material and Color	
	Baffle	PC+ABS, Matte Real Black paint (SB050) (PANETONE Hexachrome Black C)
	Rear Cabinet	PC+ABS, Matte Real Black paint (SB050) (PANETONE Hexachrome Black C)
	Rear Cover	PC+ABS, Matte Real Black paint (SB050) (PANETONE Hexachrome Black C)
	Punching Net	PBT sheet, Matte Real Black paint (SB050) (PANETONE Hexachrome Black C)
	Holder	Steel, Black paint
4-11	Packing	
	Dimensions (W x H x D)	260mm x 720mm x 203mm / 10.24" x 28.35" x 7.99"
	Gross Weight	5.1 kg / 11.24 lbs
	Maximum Stacking	10 Layers

**5 Environmental Condition**

Operation 0 to 40 / 32F to 104F, 20%RH to 80%RH

Storage -10 to 50 / 14F to 122F, 10%RH to 90%RH

**6 Serial Number Label**



**7 Accessory**

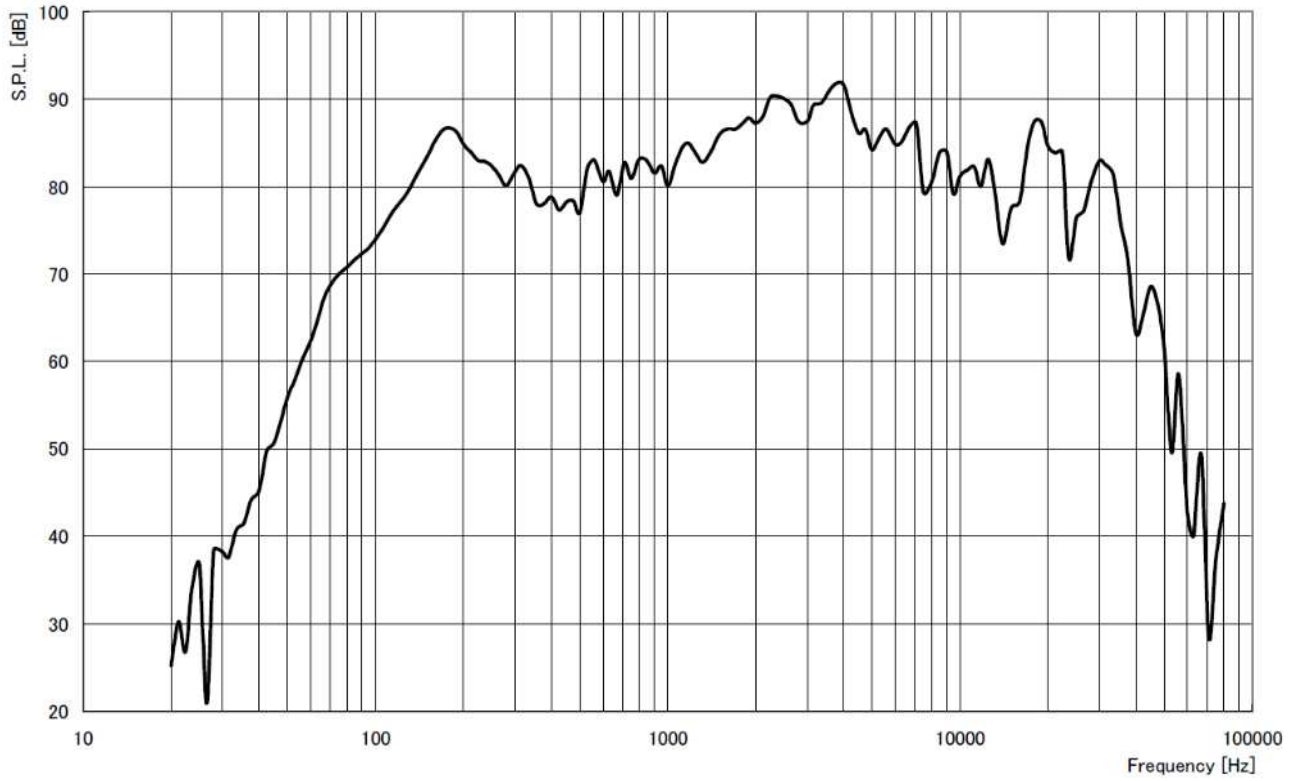
User's Manual	1 pc
Screws	16 pcs.
Speaker Codes (L1500mm)	2 pcs.
Code Clamper	2 pcs.
Cushion	2 pcs.

**8 Country of manufacture** China

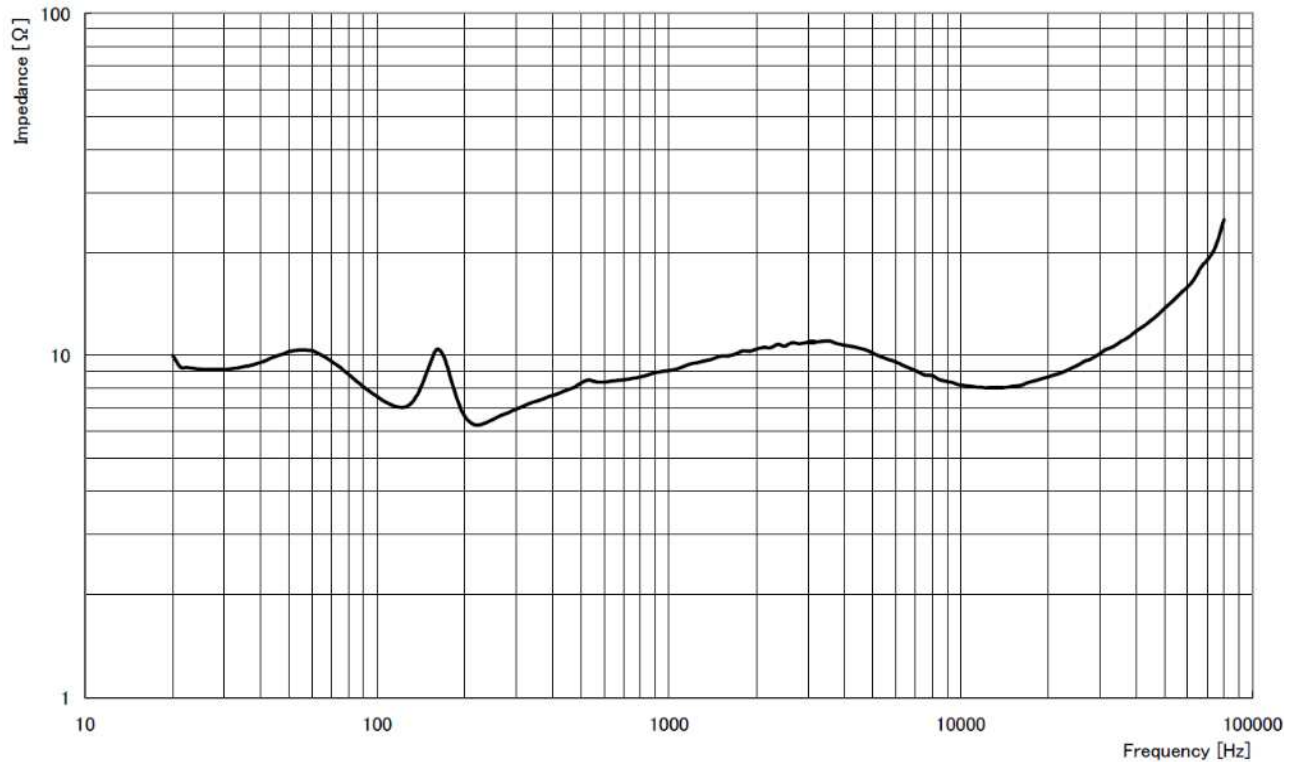
**9 Environmental Regulation** RoHS

### 10 Characteristics

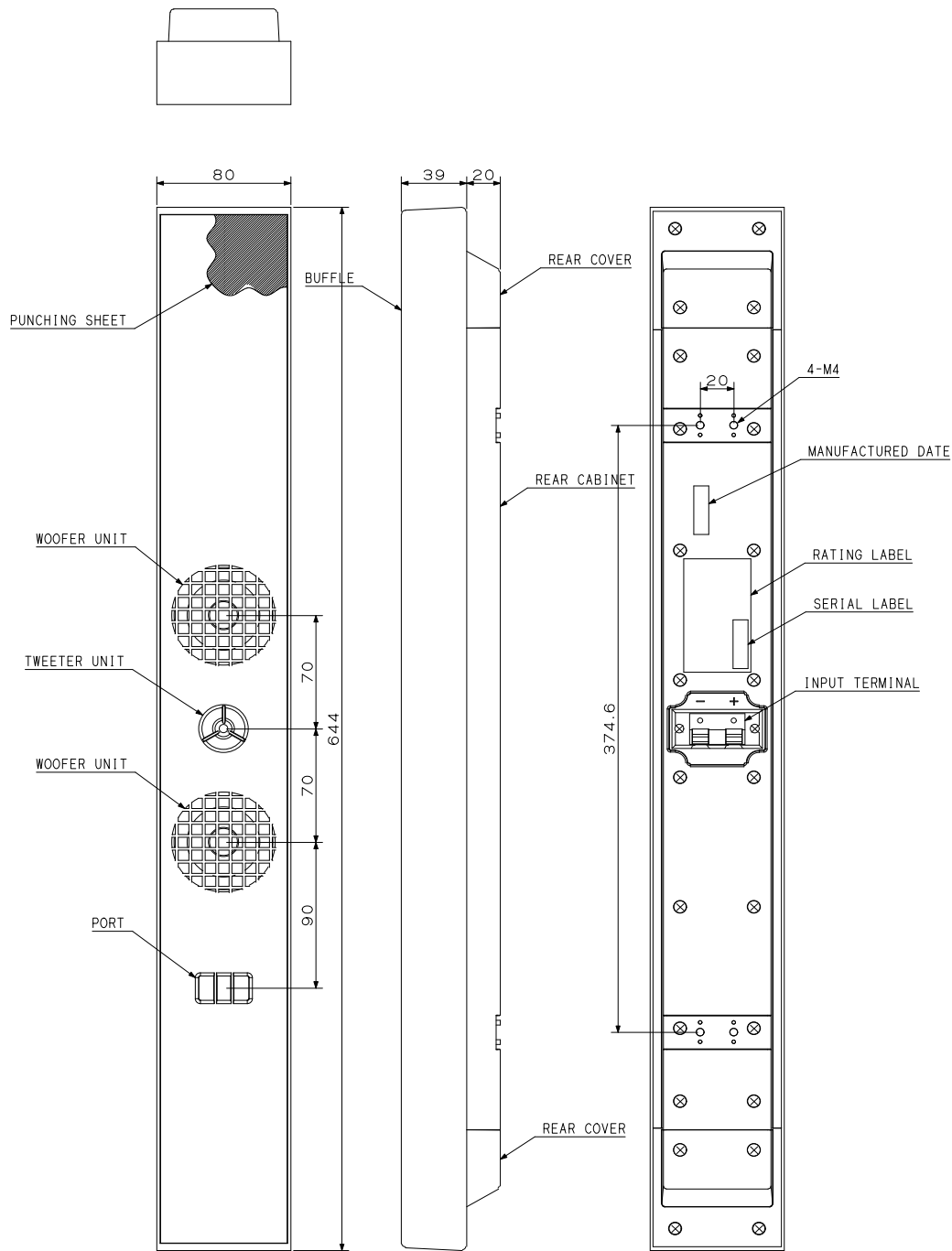
#### 10-1 Sound Pressure Typical Characteristics



#### 10-2 Impedance Typical Characteristics



11 Outline Drawing (unit: mm)



12 Rating Label

**NEC** Serial No. N° de Série  
15W, 8 Ohm(Ω)

**SP-P42P1**

---

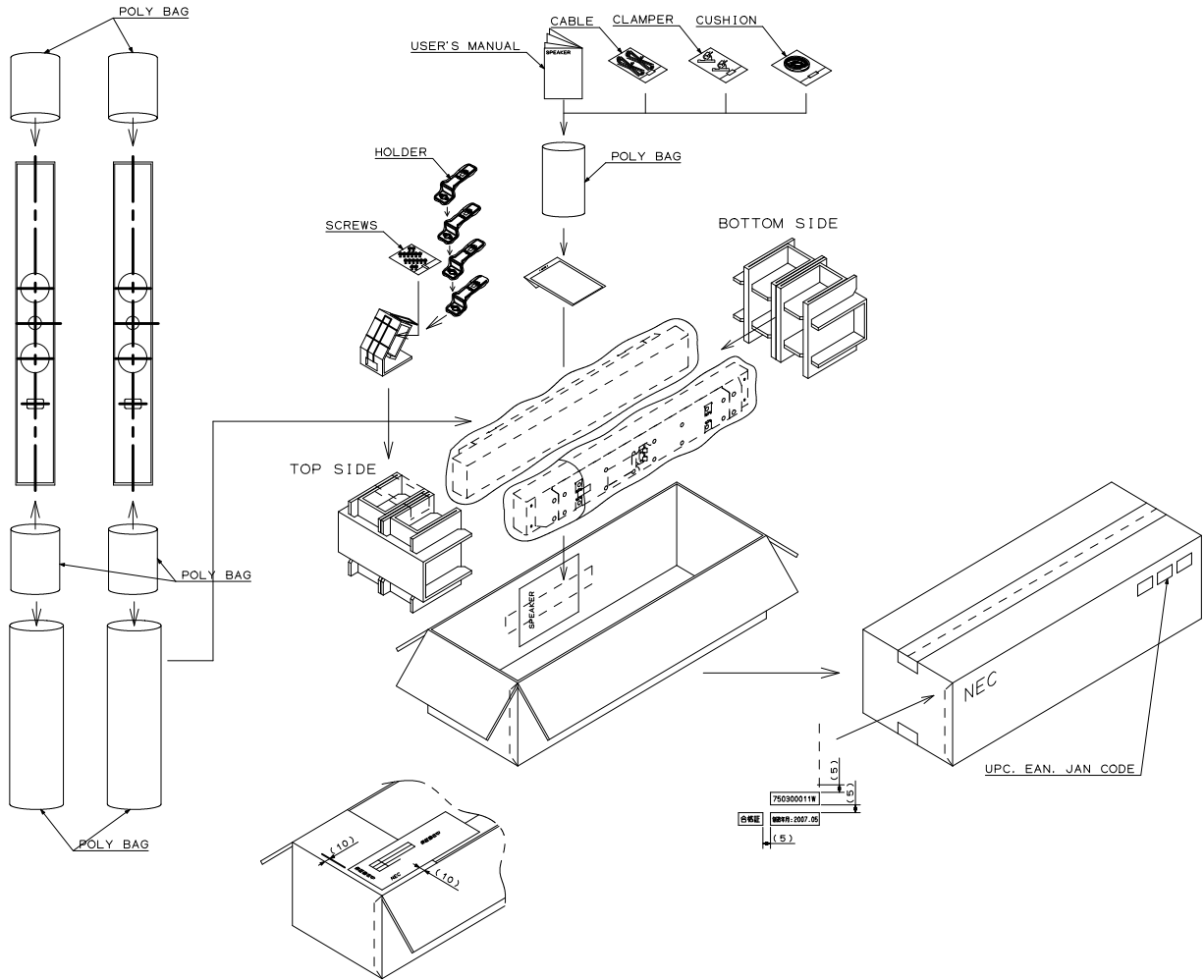
ATTENTION : Do not lift monitor by holding speakers.  
 CAUTION : Monitor may detach causing injury or damage.  
 ATTENTION : Ne soulevez pas le miniteur en tenant des haut-parleurs.  
 AVERTISSEMENT: Le moniteur détacher endommager des dommages ou.

**警告** スピーカーを持ってディスプレイを移動しないでください。ディスプレイが落下してけがの原因になります。

NEC Display Solutions, Ltd.  
4-13-23 Shibaura, Minato-ku, Tokyo, 108-0023, Japan

MADE IN CHINA  
FABRIQUÉ EN CHINE

13 Packing Specifications



14 Carton Box Artwork

<p><b>NEC</b>  <b>SP-P42P1</b>          SPEAKERS          HAUT-PARLEUR          ALTAVOZ          スピーカー          扬声器</p> <p>HANDLE WITH CARE          MANEJE AVEC SOIN          MANEJE CON CUIDADO          取扱注意          小心取扱</p>	
<p><b>NEC</b>  <b>SP-P42P1</b>          SPEAKERS          HAUT-PARLEUR          ALTAVOZ          スピーカー          扬声器</p> <p>US EU JAPAN</p>	<p><b>NEC</b>  <b>SP-P42P1</b>          SPEAKERS          HAUT-PARLEUR          ALTAVOZ          スピーカー          扬声器</p> <p>NET WEIGHT / NETO / PESO 2.4 kg / 7.5 lbs          GROSS WEIGHT / BRUT / PESO 5.2 kg / 11.5 lbs          DIMENSIONS (W) / (D) / (H) 250 mm (W) x 152 mm (D) x 152 mm (H)          250 mm (W) x 152 mm (D) x 152 mm (H)          TRADE / MARK MADE IN CHINA / 中国製</p>
<p>FRAGILE          NEVER DROP          NE PAS LAISSER TOMBER          NO LA DEJE CAER NUNCA          衝撃敏感          不可跌落</p>	
<p><b>NEC</b>  <b>SP-P42P1</b>          SPEAKERS          HAUT-PARLEUR          ALTAVOZ          スピーカー          扬声器</p>	<p><b>NEC</b>  <b>SP-P42P1</b>          SPEAKERS          HAUT-PARLEUR          ALTAVOZ          スピーカー          扬声器</p> <p>PODS NET / PESO 2.4 kg / 7.5 lbs / 7.5 lbs          PODS BRUT / PESO GROSS 5.2 kg / 11.5 lbs / 11.5 lbs          DIMENSIONS / MEDIDAS 250 mm (L) x 250 mm (P) x 152 mm (H)          250 mm (L) x 152 mm (P) x 152 mm (H)          250 mm (L) x 152 mm (P) x 152 mm (H)          TRADE / MARK FABRICADO EN CHINA / HECHO EN CHINA</p>

15 Holder (unit: mm)

注記

1. 振出しRは内面側R1以内のこと。
2. パリ取りのこと。
3. 各寸法は塗装後の寸法のこと。

